



US00D378845S

# United States Patent [19] King

[11] Patent Number: **Des. 378,845**

[45] Date of Patent: **\*\*Apr. 15, 1997**

[54] **COMPONENT OF PLAYGROUND SLIDE**

4,299,171 11/1981 Larson ..... 472/117 X  
5,213,547 5/1993 Lochtefeld ..... 472/117

[75] Inventor: **Steven G. King**, Long Lake, Minn.

[73] Assignee: **Landscape Structures Inc.**, Delano, Minn.

*Primary Examiner*—Ted Shooman  
*Assistant Examiner*—Mitchell I. Siegel  
*Attorney, Agent, or Firm*—Merchant, Gould, Smith, Edell, Welter and Schmidt, P.A.

[\*\*] Term: **14 Years**

[57] **CLAIM**

[21] Appl. No.: **40,225**

The ornamental design for a component of playground slide, as shown and described.

[22] Filed: **Jun. 13, 1995**

**DESCRIPTION**

**Related U.S. Application Data**

[62] Division of Ser. No. 23,883, Jun. 2, 1994, Pat. No. Des. 371,414.

[52] U.S. Cl. .... **D21/244**

[58] Field of Search ..... D21/240-244;  
472/116, 117; 482/35, 36

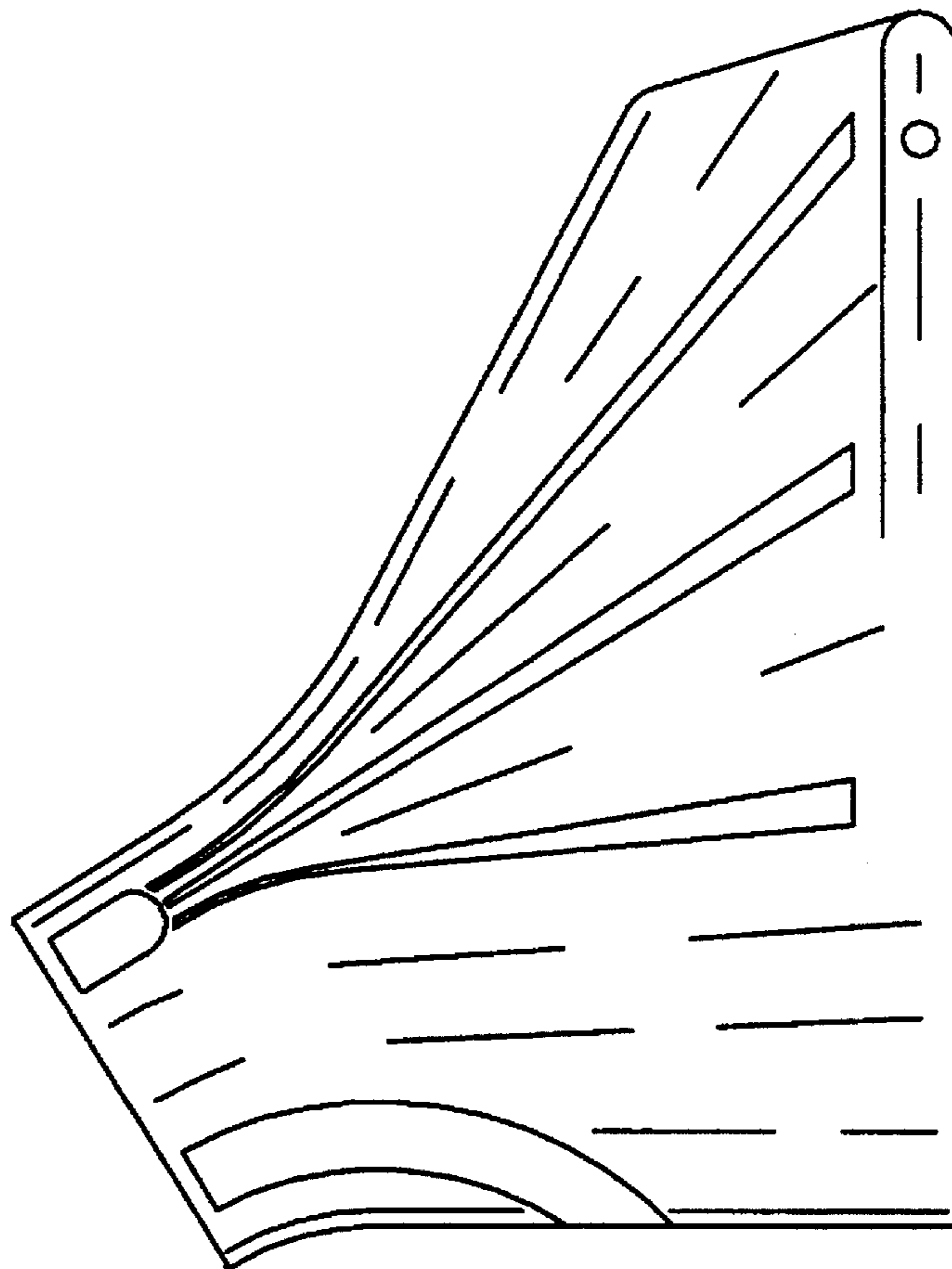
FIG. 1 is a view in top plan of the entry section of the component of playground slide design;  
FIG. 2 is a view in bottom plan of the entry section of FIG. 1;  
FIG. 3 is a view of side elevation as viewed from the left side of the entry section of FIG. 1, the right side thereof being symmetrically identical;  
FIG. 4 is a view in front elevation of the entry section of FIG. 1; and,  
FIG. 5 is a view in rear elevation of the entry section of FIG. 1.

[56] **References Cited**

**U.S. PATENT DOCUMENTS**

D. 269,104	5/1983	Brown	.....	D21/244
D. 372,065	7/1996	Gilles	.....	D21/244
4,211,400	7/1980	Ray	.....	472/116

**1 Claim, 2 Drawing Sheets**



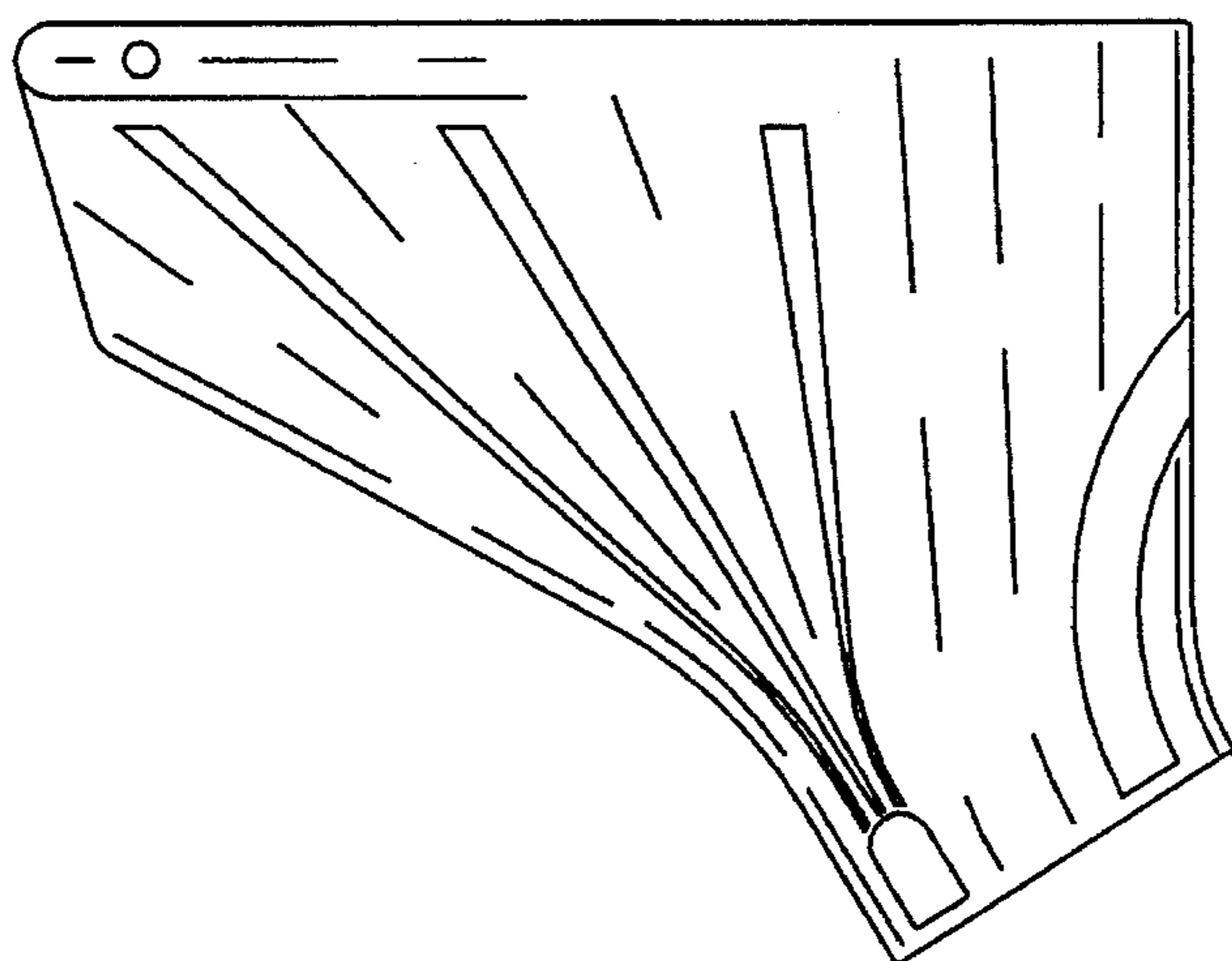


FIG. 3

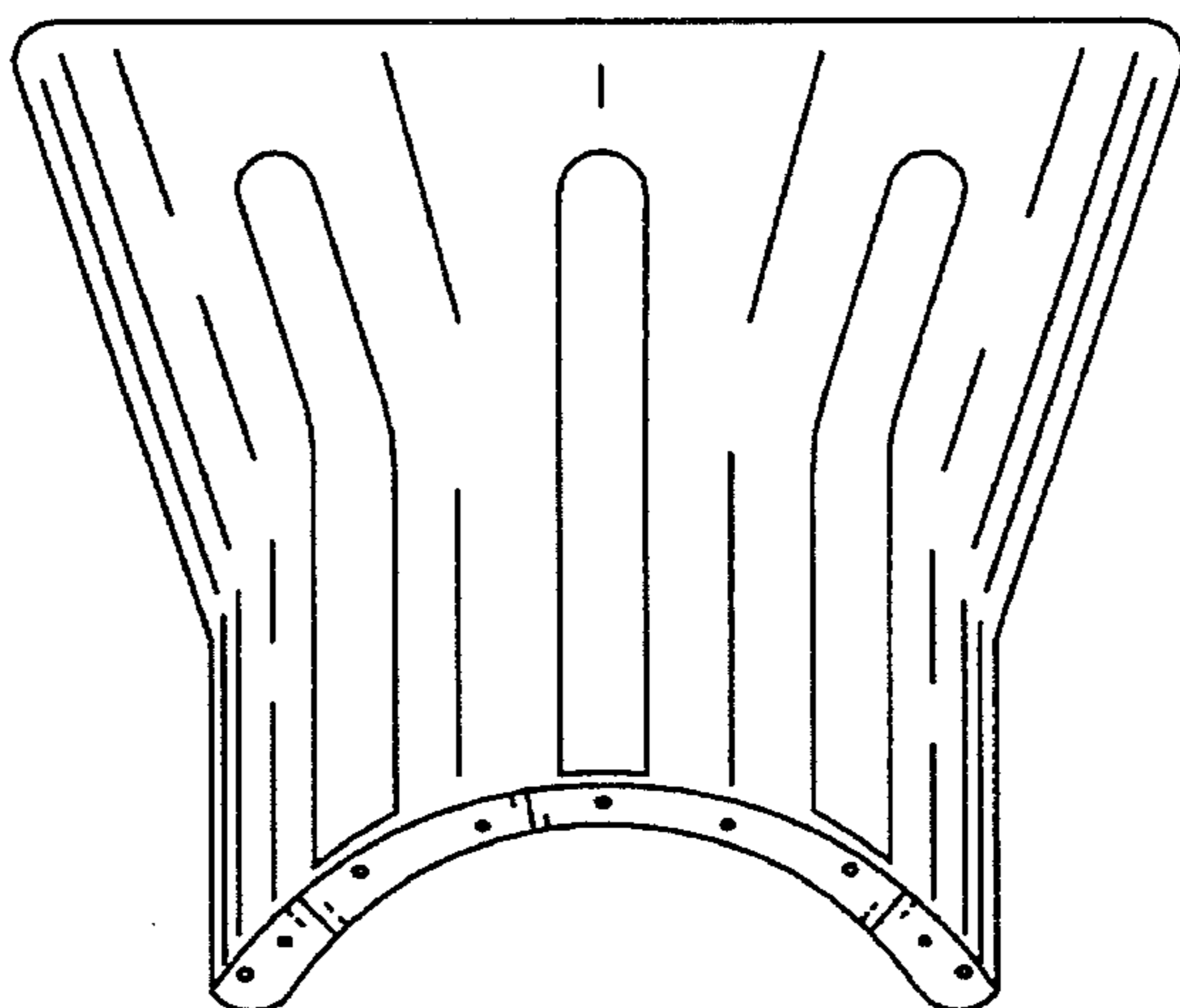


FIG. 2

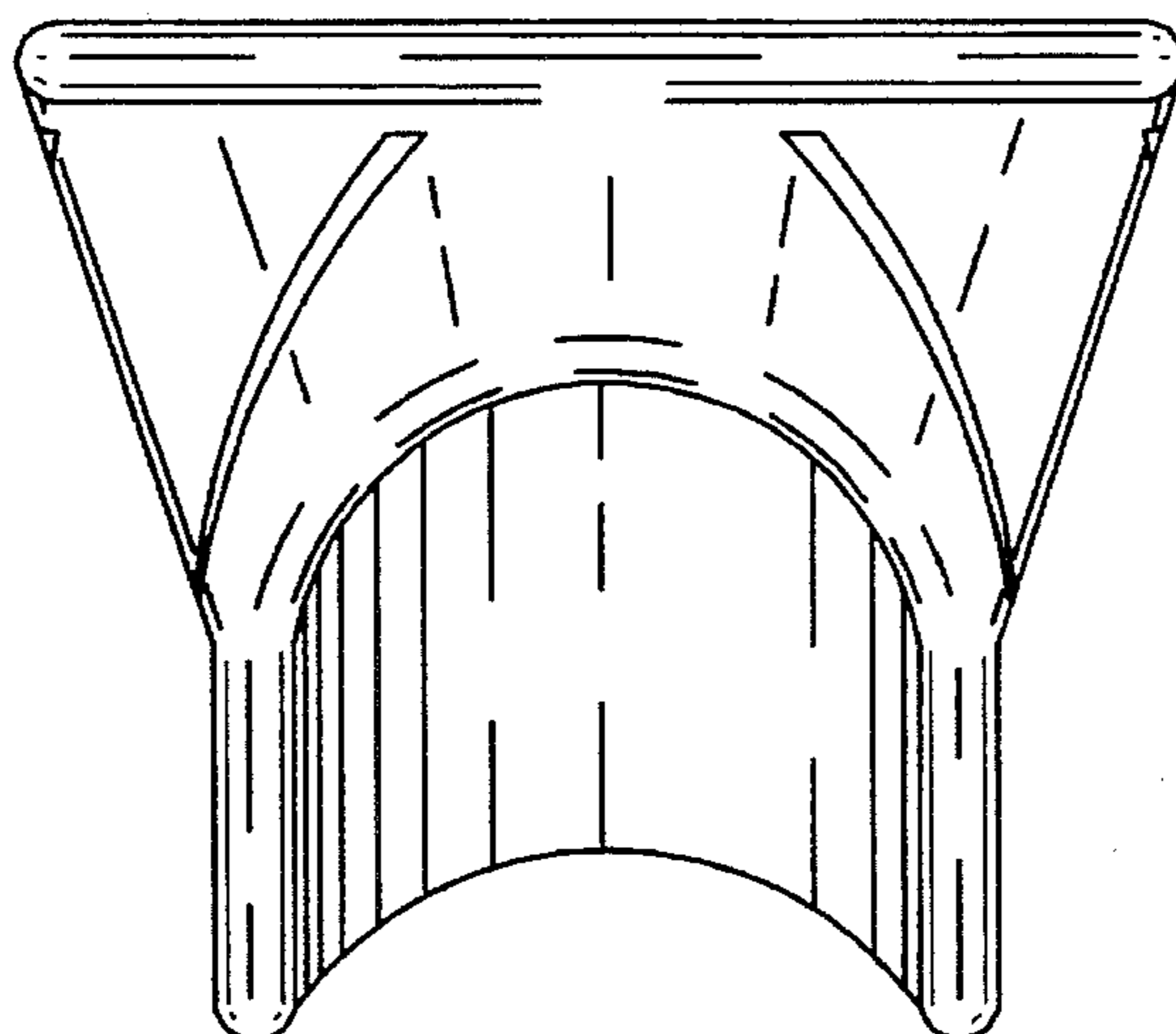


FIG. 1

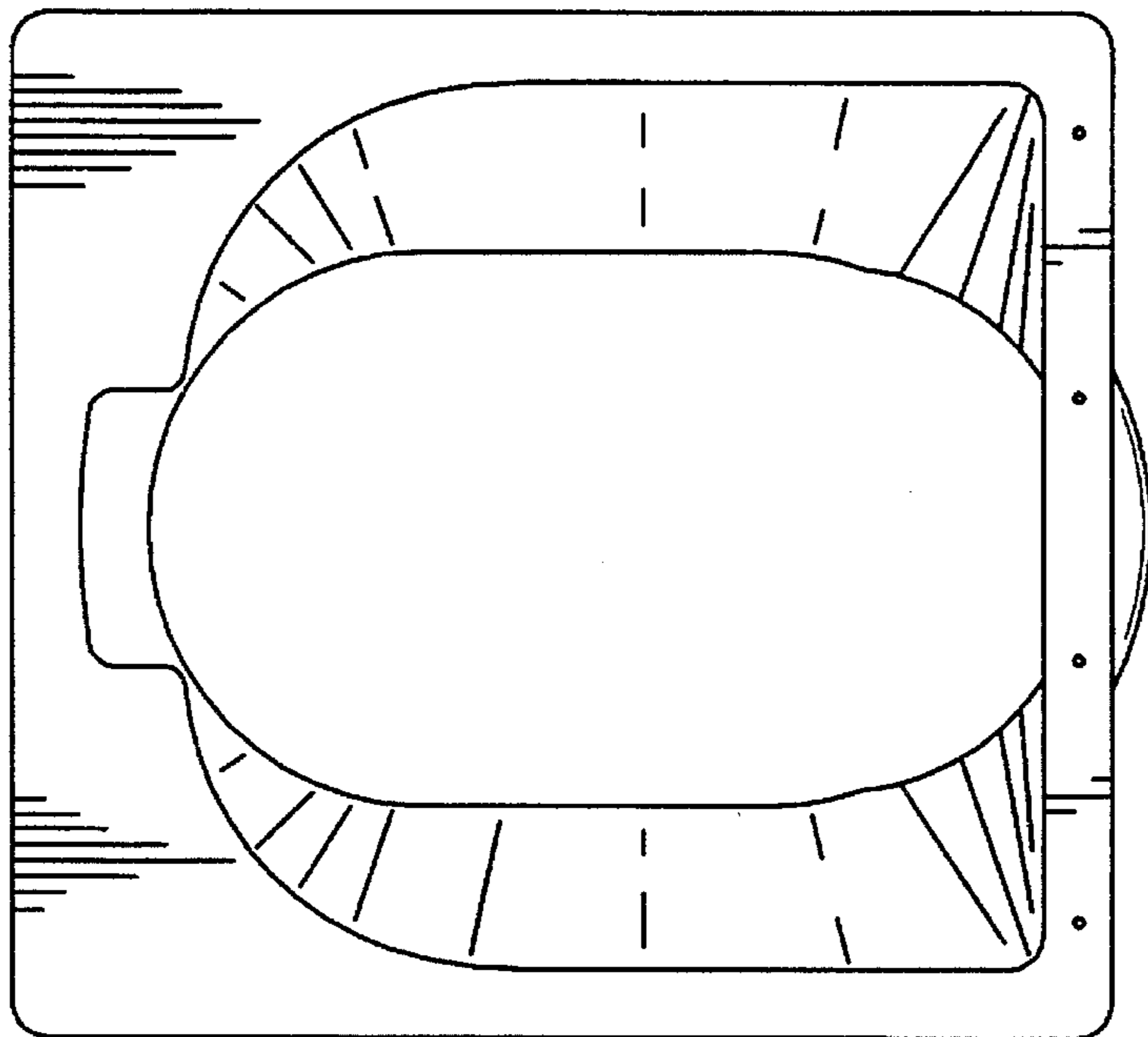


FIG. 5

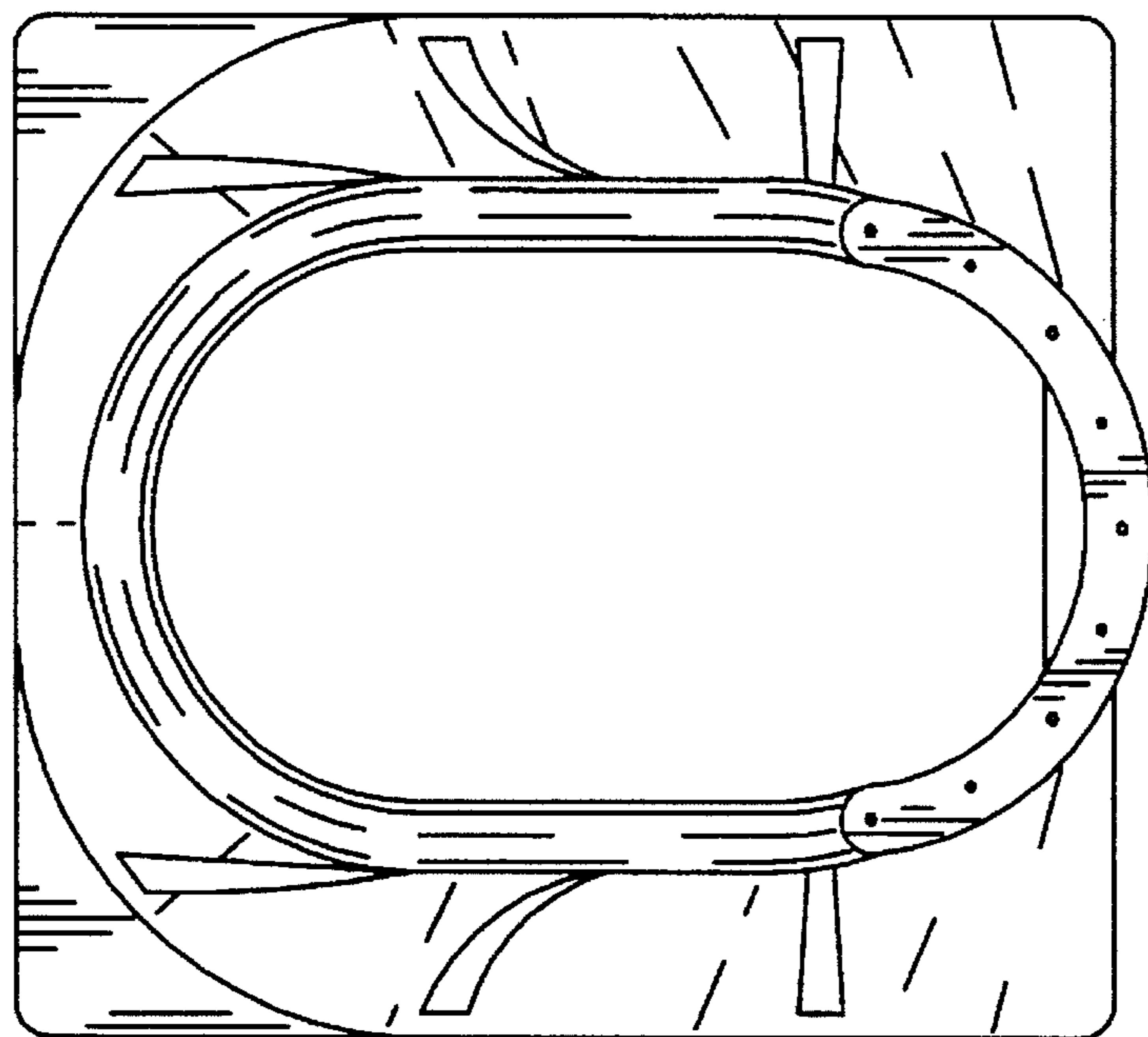


FIG. 4