



US00D378844S

# United States Patent [19] Shine

[11] Patent Number: **Des. 378,844**

[45] Date of Patent: **\*\*Apr. 15, 1997**

[54] **GOLF PUTTER HEAD**

[76] Inventor: **Randall S. Shine**, 10231 Von Kleiben Rd., Sonora, Calif. 95370

[\*\*] Term: **14 Years**

[21] Appl. No.: **47,690**

[22] Filed: **Dec. 11, 1995**

[52] U.S. Cl. .... **D21/217**

[58] Field of Search ..... D21/217-219;  
473/340, 341, 251-256

[56] **References Cited**

**U.S. PATENT DOCUMENTS**

D. 257,869	1/1981	MacDougall .....	D21/219
D. 291,908	9/1987	Glennon et al. ....	D21/217
D. 320,638	10/1991	Mermillod .....	D21/219
D. 349,319	8/1994	Bayer .....	D21/217
D. 364,907	12/1995	Estridge et al. ....	D21/219
4,934,702	6/1990	Serizawa .....	D21/217 X

**OTHER PUBLICATIONS**

Gold Digest; p. 123; Ring putter, bottom middle of page Jun. 1983.

Golf Day; p. 11; Bullet driver, top left of page Dec. 1994.

*Primary Examiner*—Ted Shooman

*Assistant Examiner*—Mitchell T. Siegel

*Attorney, Agent, or Firm*—Harris Zimmerman

[57] **CLAIM**

The ornamental design for a golf putter head, as shown and described.

**DESCRIPTION**

FIG. 1 is a perspective view of a golf putter head showing my new design;

FIG. 2 is a front view;

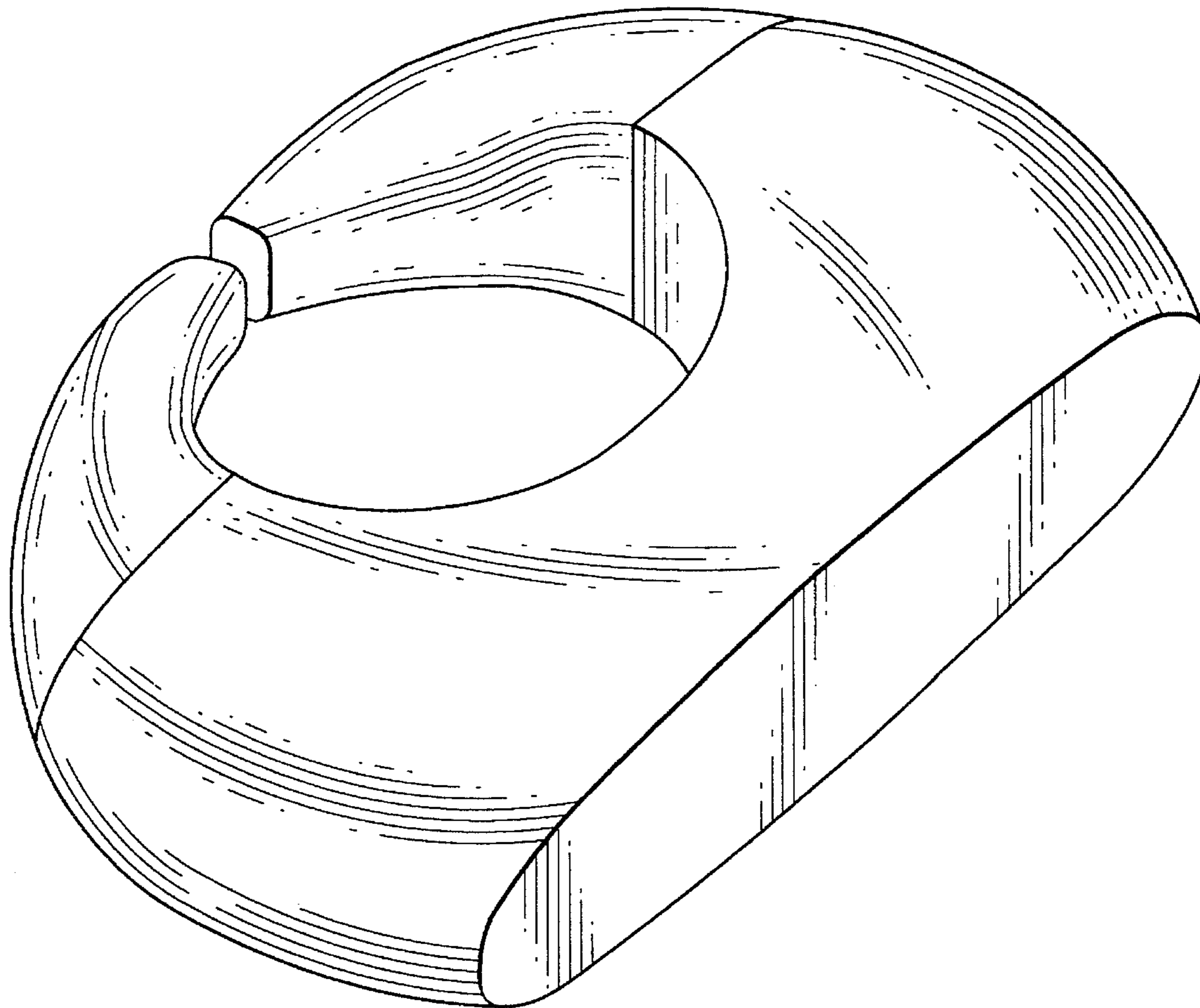
FIG. 3 is a top view;

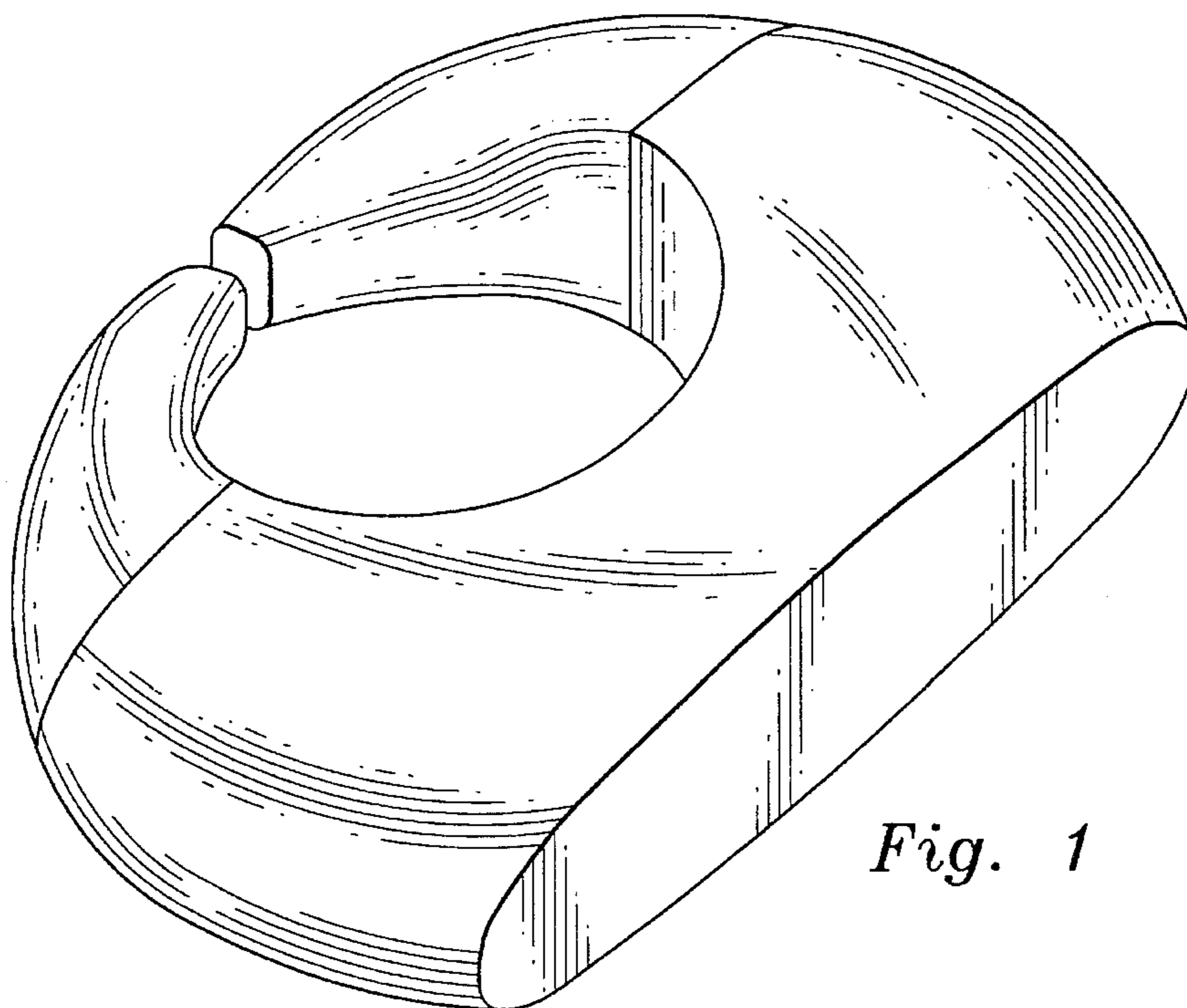
FIG. 4 is an end view;

FIG. 5 is a rear view; and,

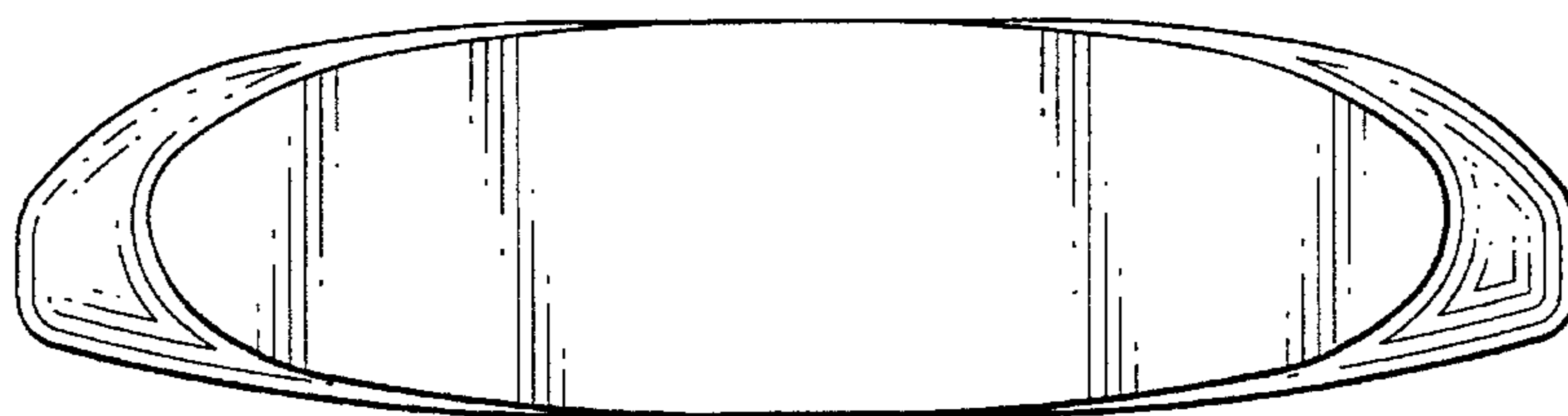
FIG. 6 is a bottom view.

**1 Claim, 2 Drawing Sheets**

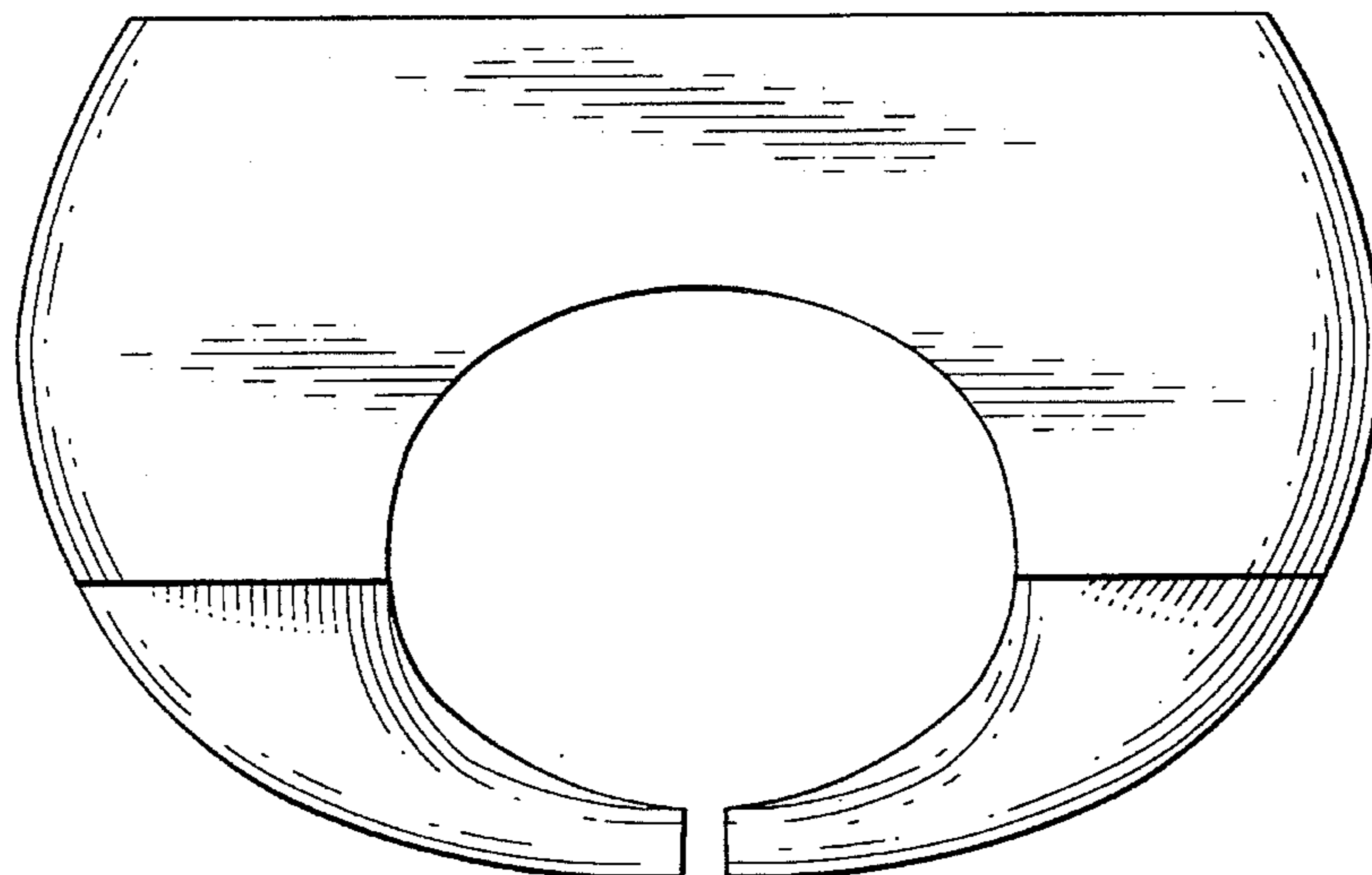




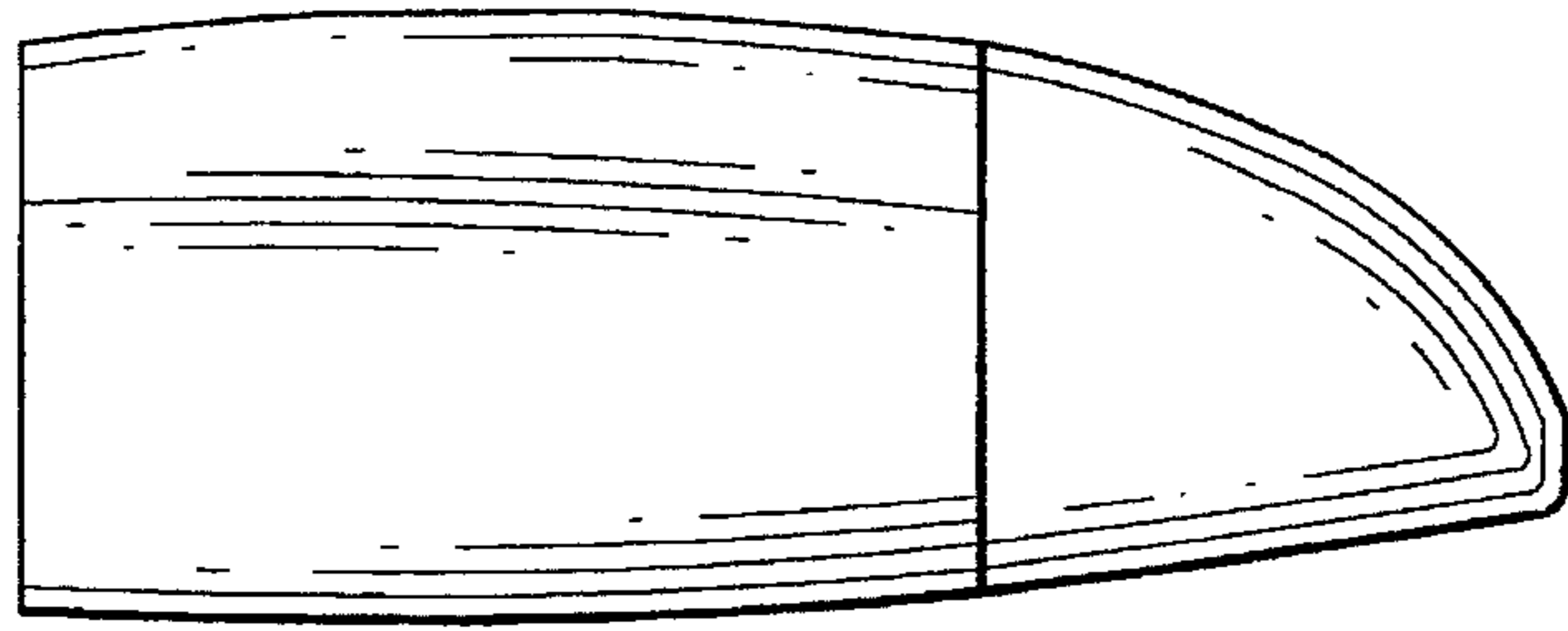
*Fig. 1*



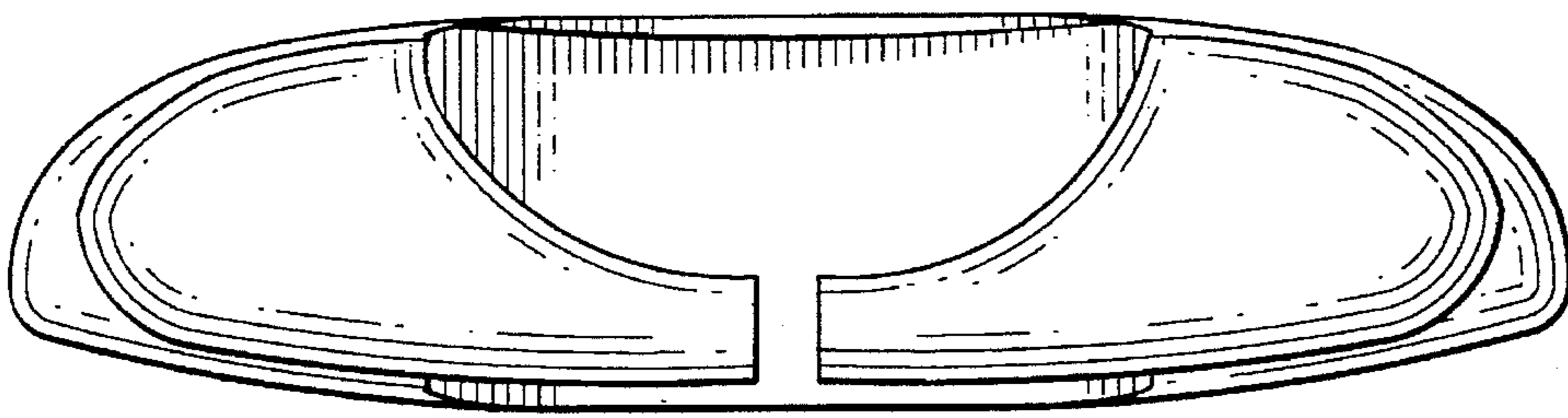
*Fig. 2*



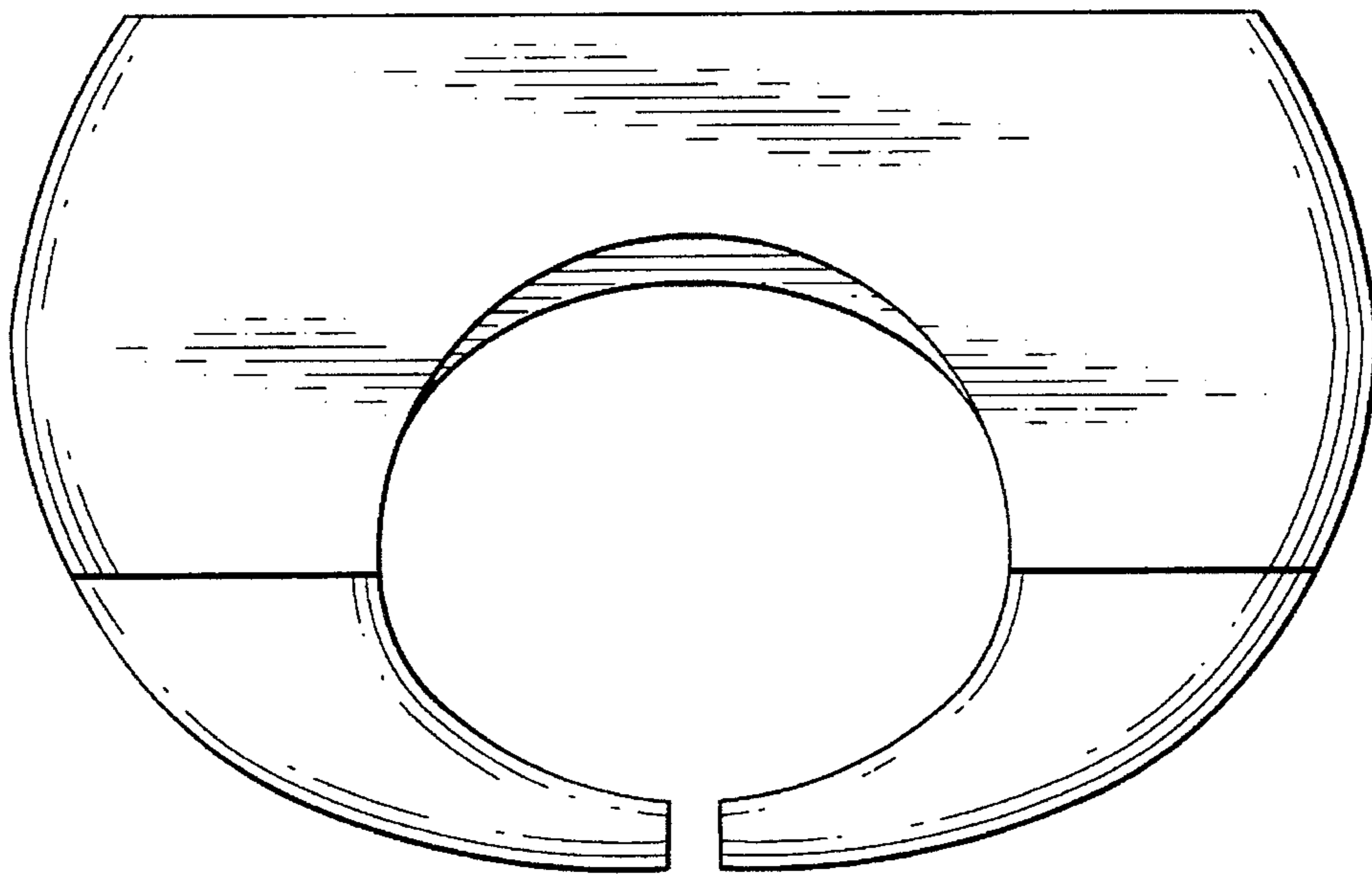
*Fig. 3*



*Fig. 4*



*Fig. 5*



*Fig. 6*