



US00D378842S

# United States Patent [19]

[11] Patent Number: **Des. 378,842**

Lee

[45] Date of Patent: **\*\*Apr. 15, 1997**

[54] **FOLDABLE EXERCISER HORSE**

5,458,553	10/1995	Wu	482/95
5,464,378	11/1995	Yu	482/72
5,478,298	12/1995	Chen	482/72

[76] Inventor: **Kuo-Ron Lee**, No. 61, Mai Jou II Rd., Yi Lan City, Taiwan

[\*\*] Term: **14 Years**

*Primary Examiner*—Philip S. Hyder  
*Attorney, Agent, or Firm*—Varndell Legal Group

[21] Appl. No.: **50,404**

[57] **CLAIM**

[22] Filed: **Feb. 16, 1996**

The ornamental design for foldable exerciser horse, as shown and described.

[52] U.S. Cl. .... **D21/195**

**DESCRIPTION**

[58] Field of Search ..... D21/191, 194, D21/195; 482/51, 57, 62, 72, 95, 96, 137

FIG. 1 is a perspective view of a foldable exerciser horse showing my new design;

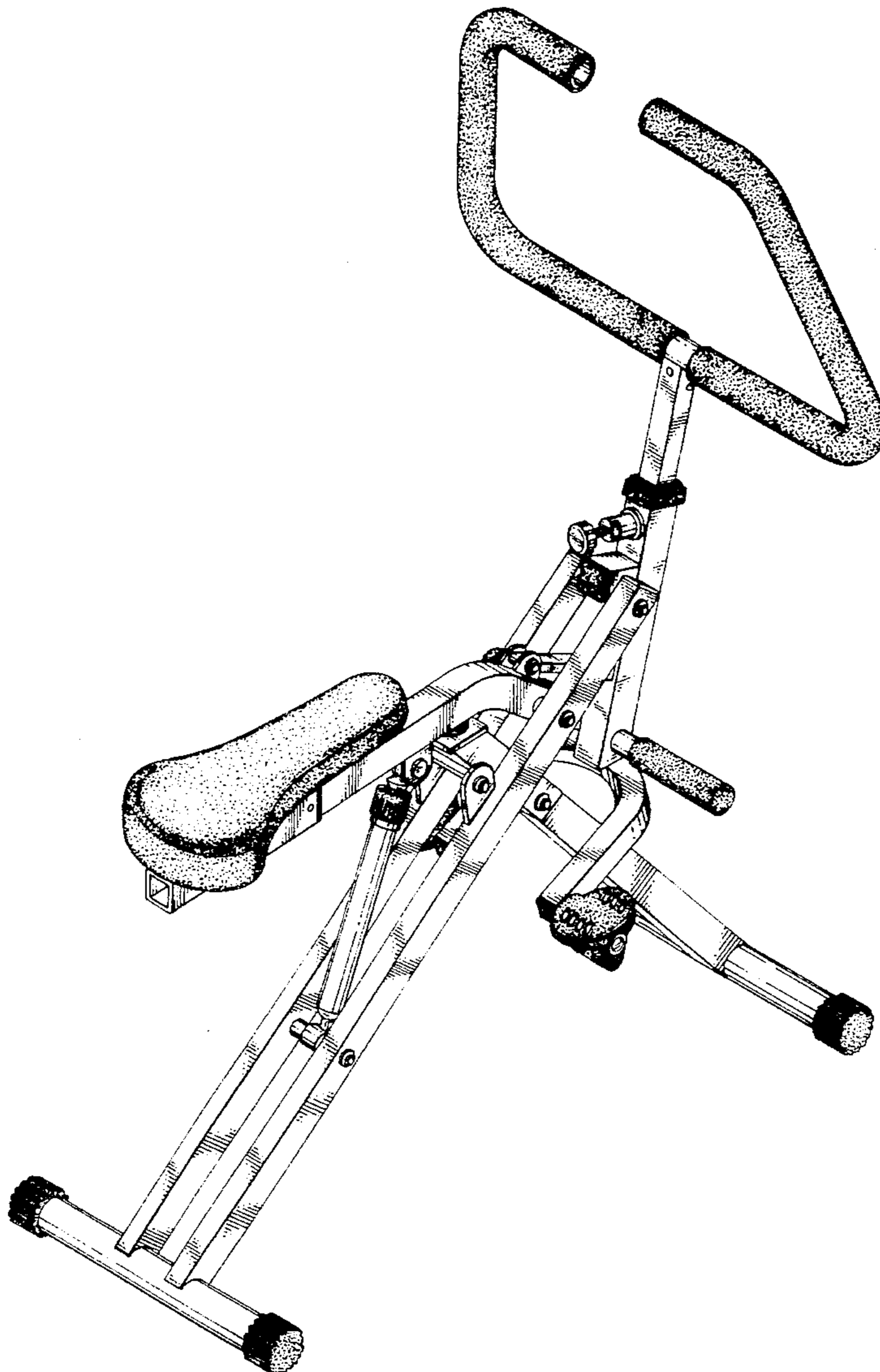
[56] **References Cited**

**U.S. PATENT DOCUMENTS**

D. 344,112	2/1994	Smith	D21/195
D. 356,128	3/1995	Smith et al.	D21/195
D. 358,437	5/1995	Wang et al.	D21/191
5,366,428	11/1994	Liao	482/57
5,421,795	6/1995	Chen	482/72
5,429,568	7/1995	Chen	482/72
5,453,066	9/1995	Richter, Jr.	482/57

FIG. 2 is a front elevational view thereof;  
 FIG. 3 is a left side elevational view thereof;  
 FIG. 4 is a right side elevational view thereof;  
 FIG. 5 is a top plan view thereof;  
 FIG. 6 is a bottom plan view thereof;  
 FIG. 7 is a rear elevational view thereof; and,  
 FIG. 8 illustrates the foldable status thereof.

**1 Claim, 7 Drawing Sheets**



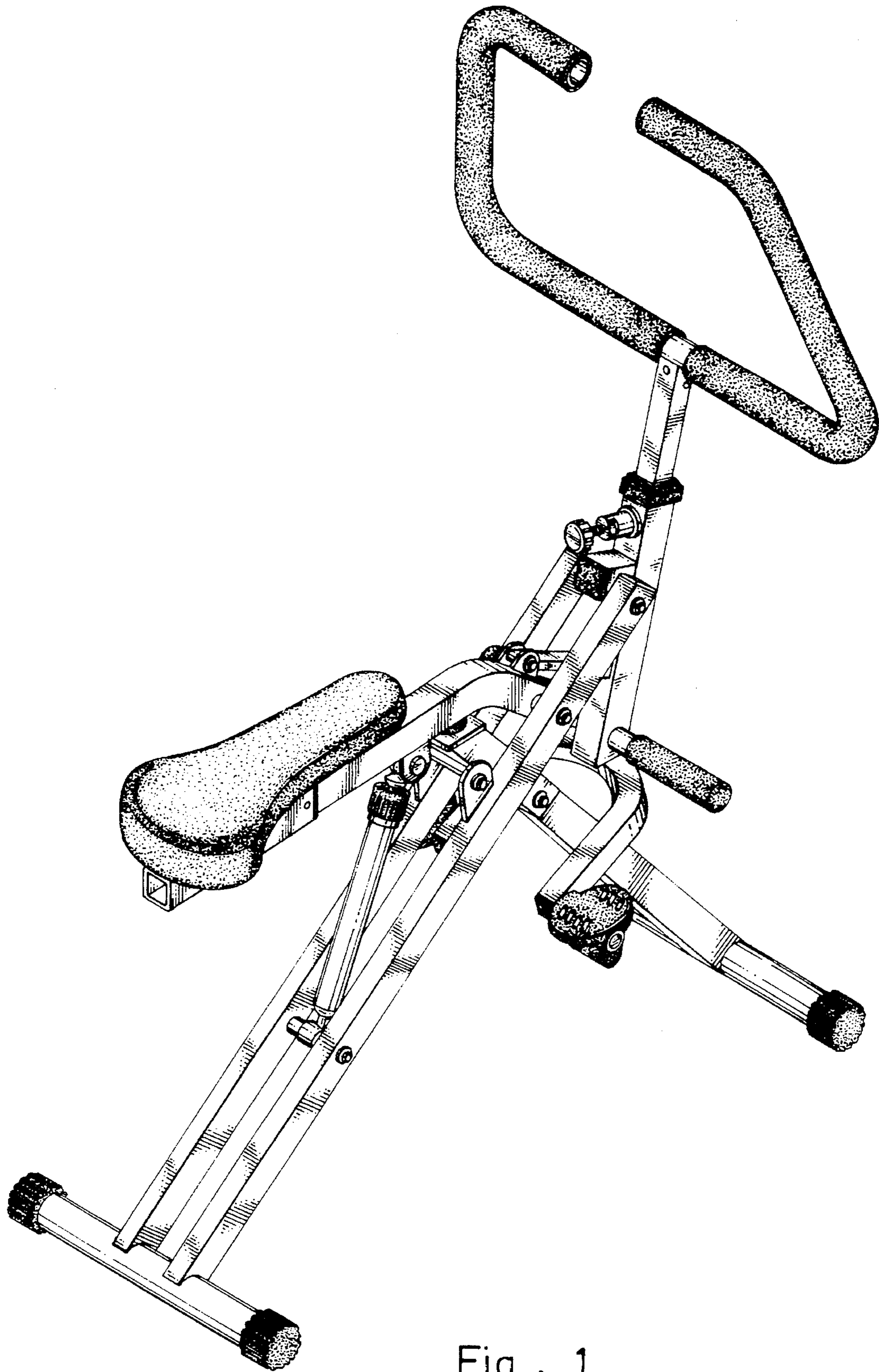


Fig . 1

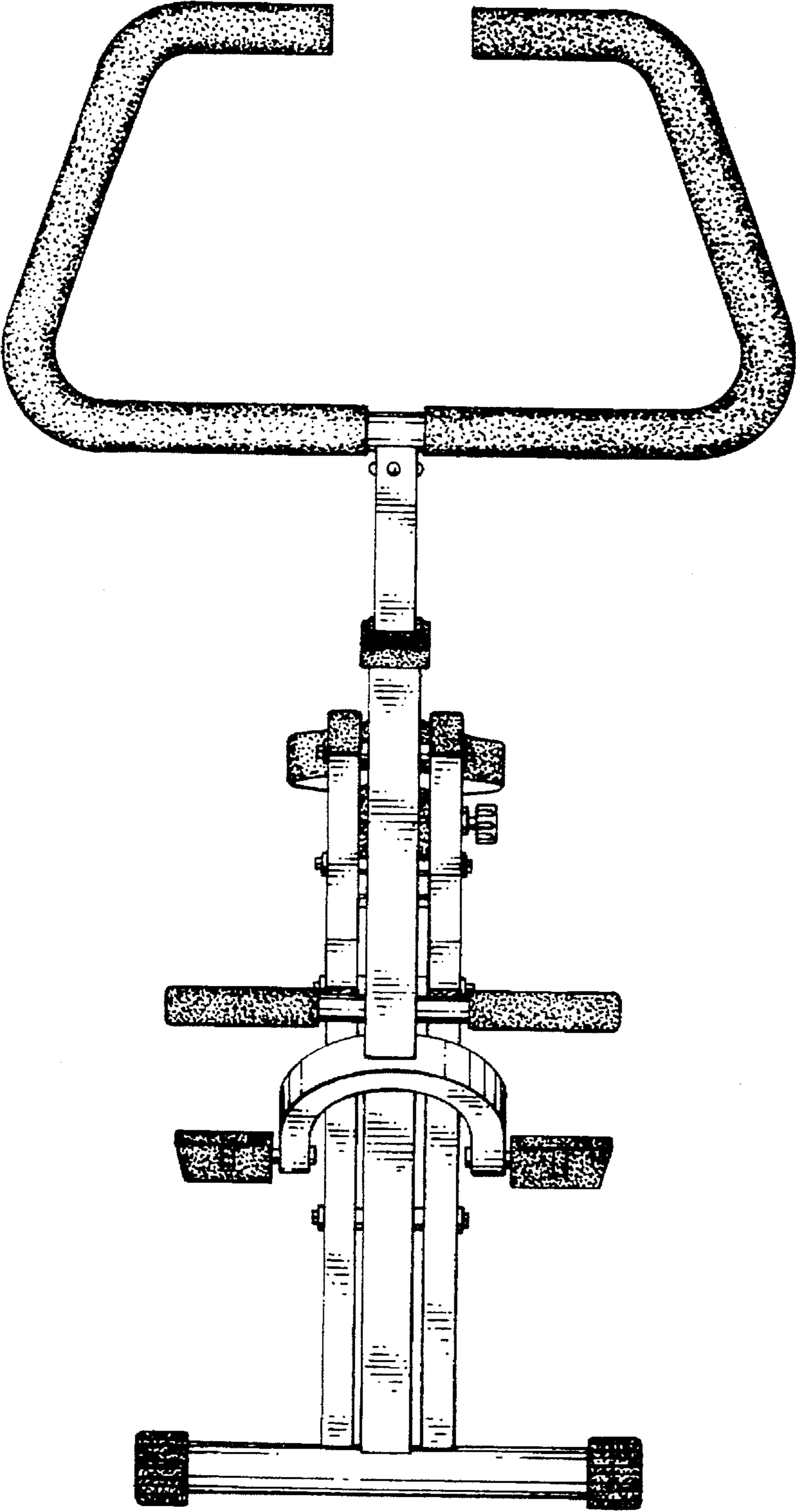


Fig . 2

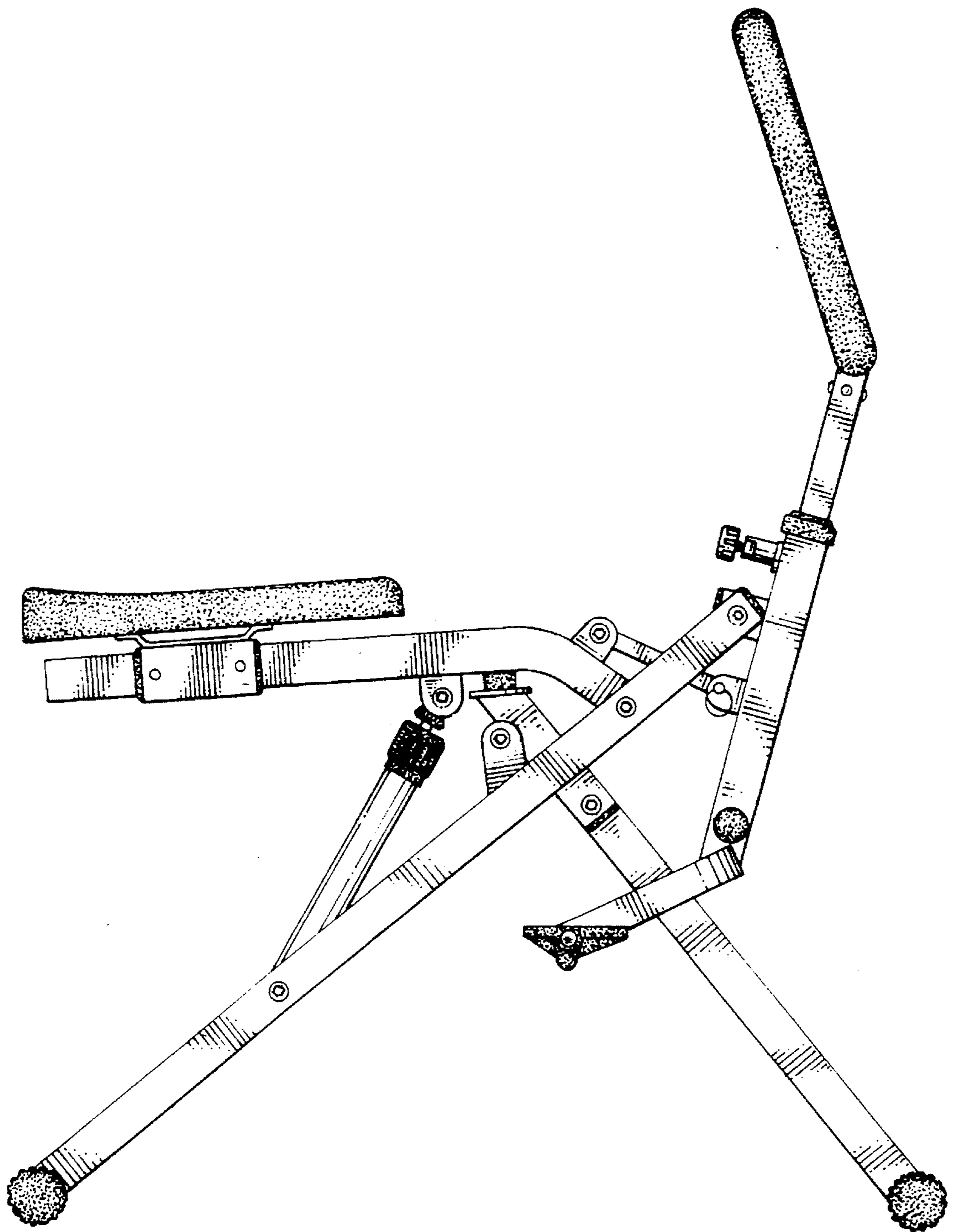


Fig . 3

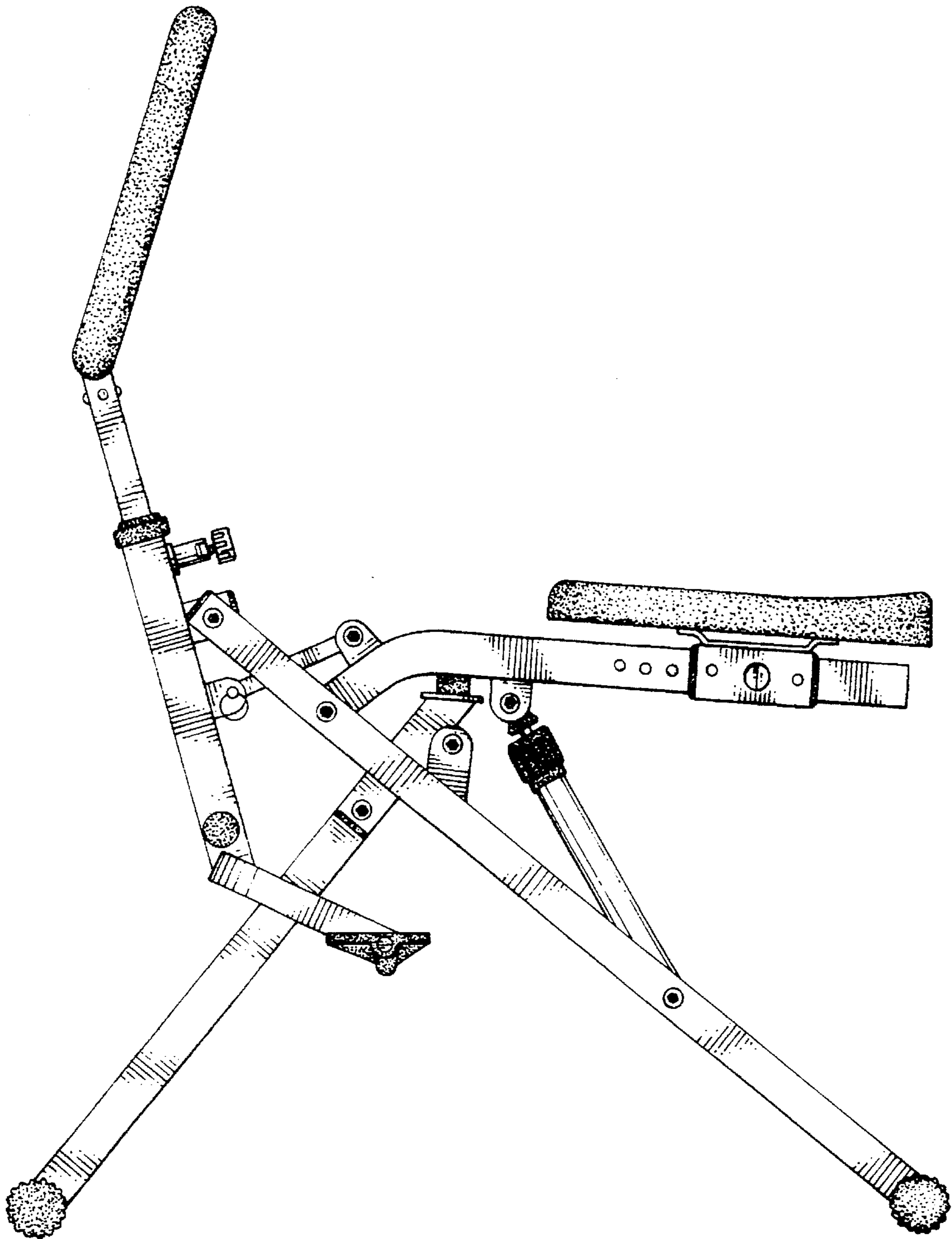


Fig . 4

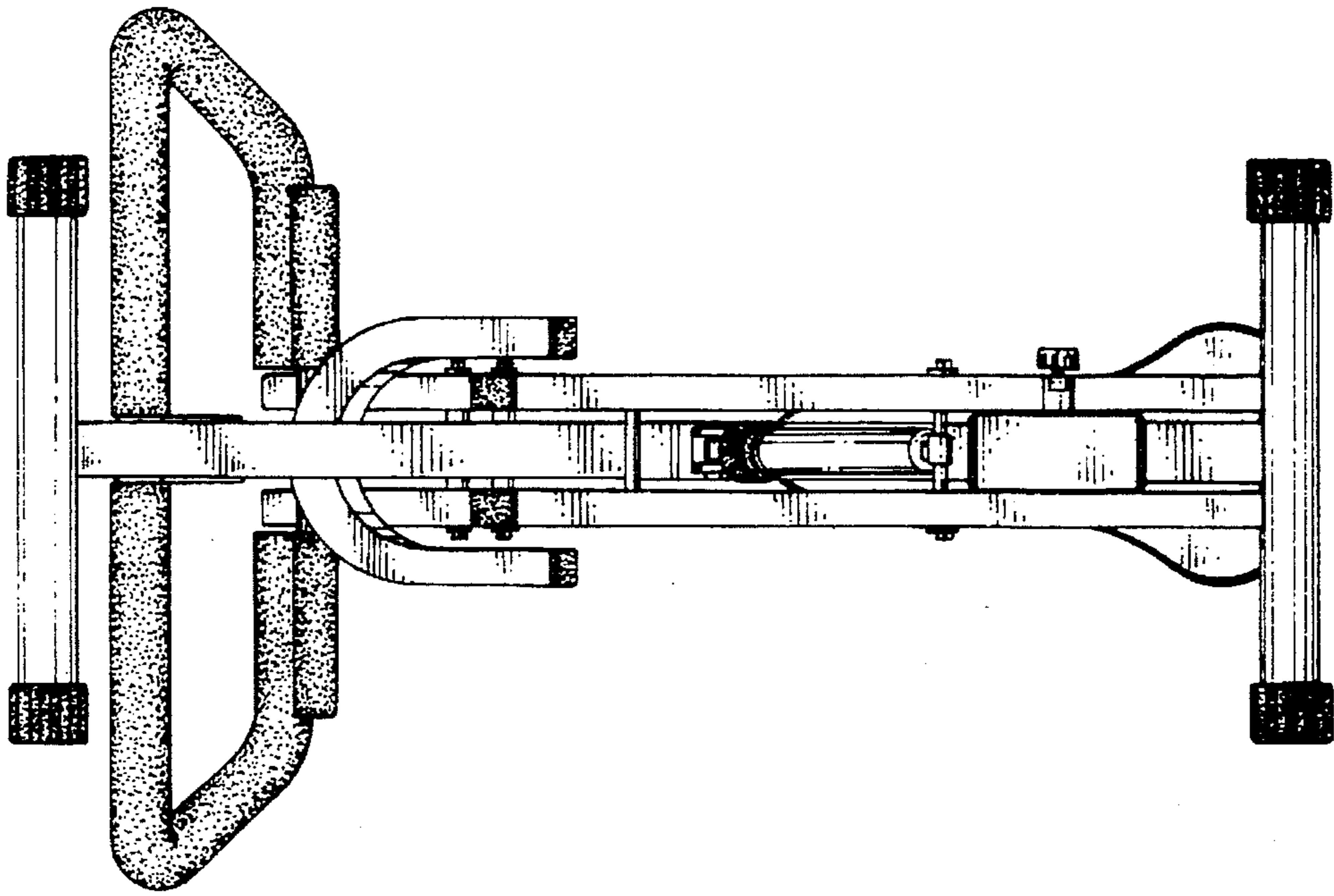


Fig. 6

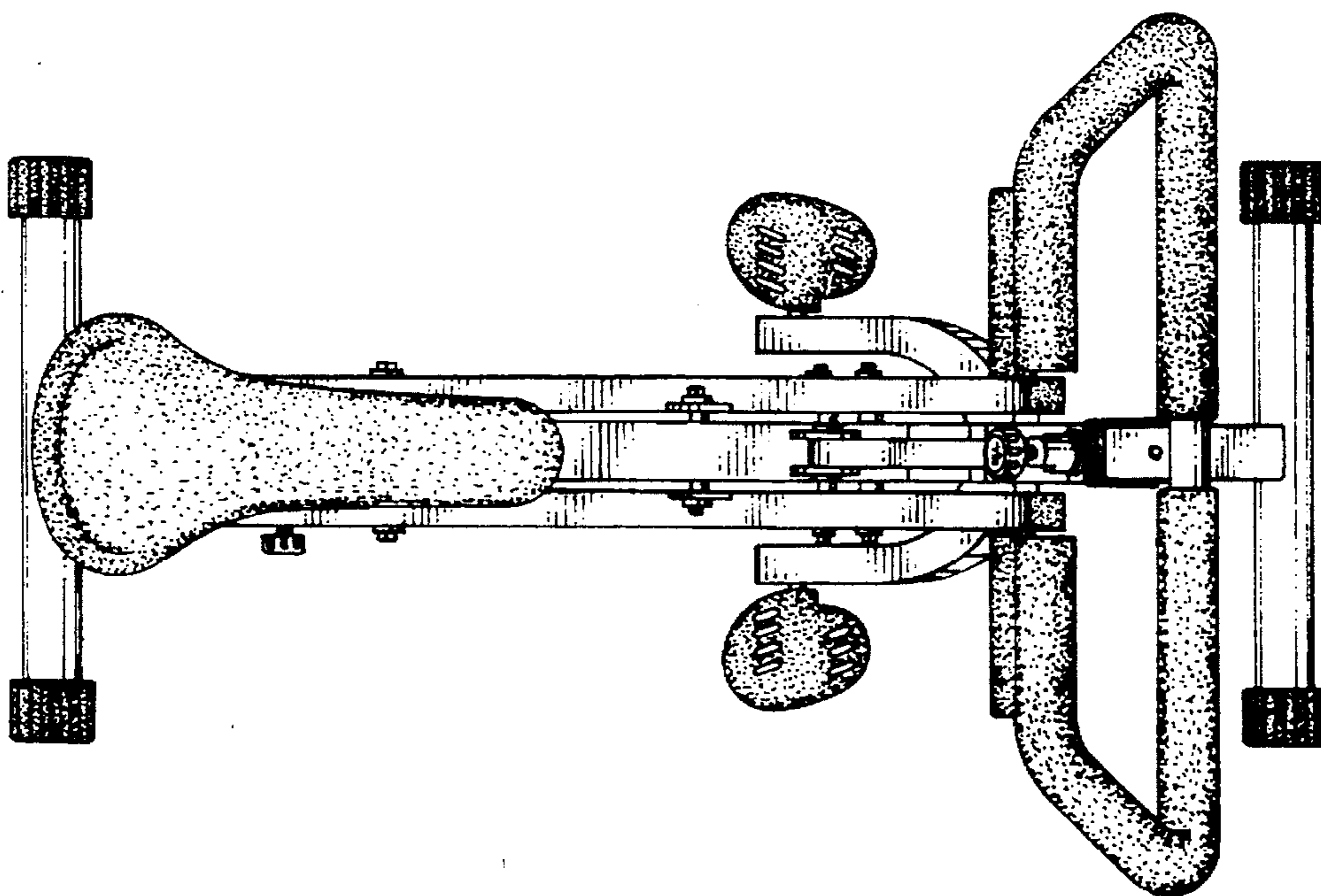


Fig. 5

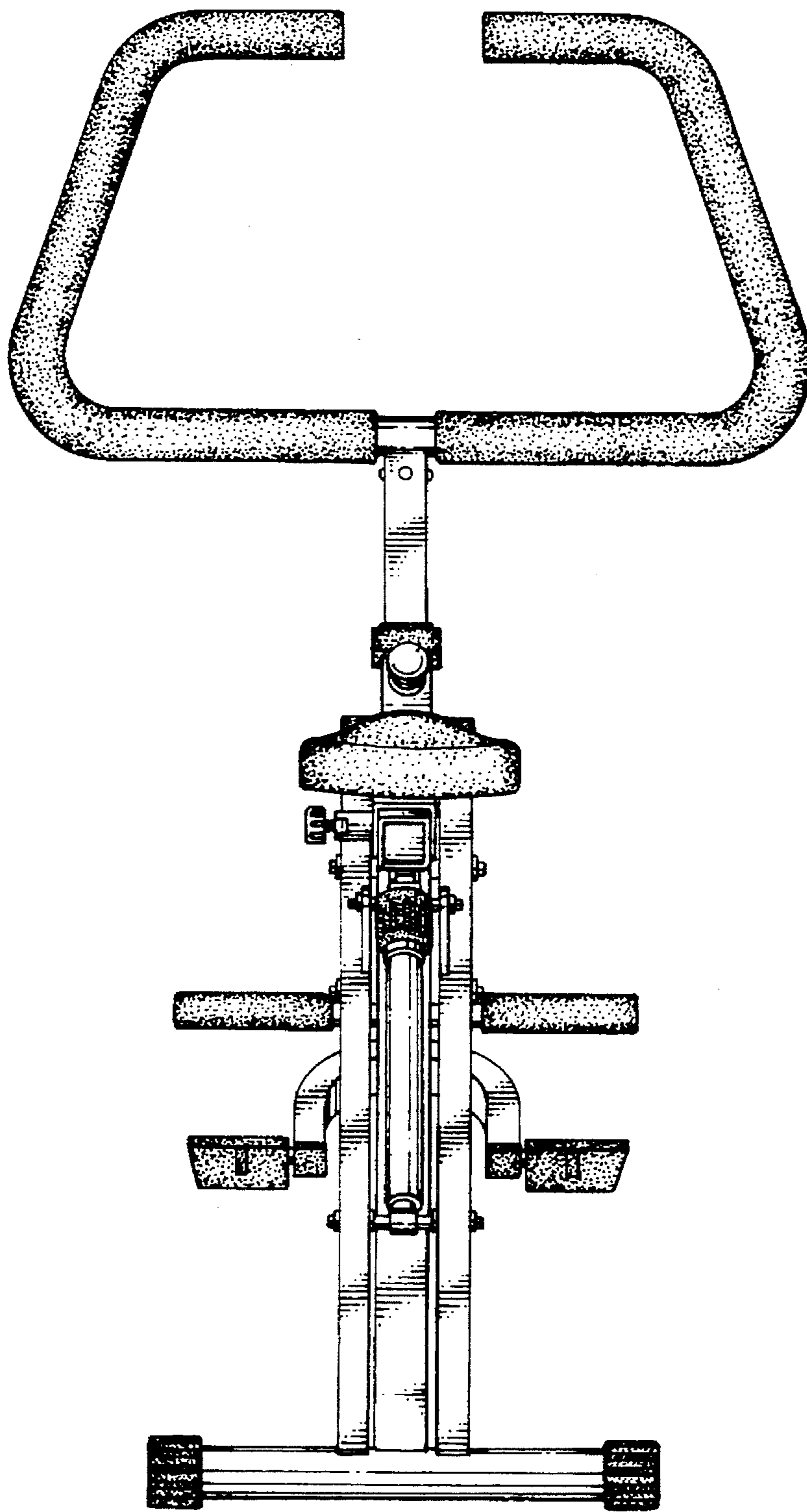


Fig. 7

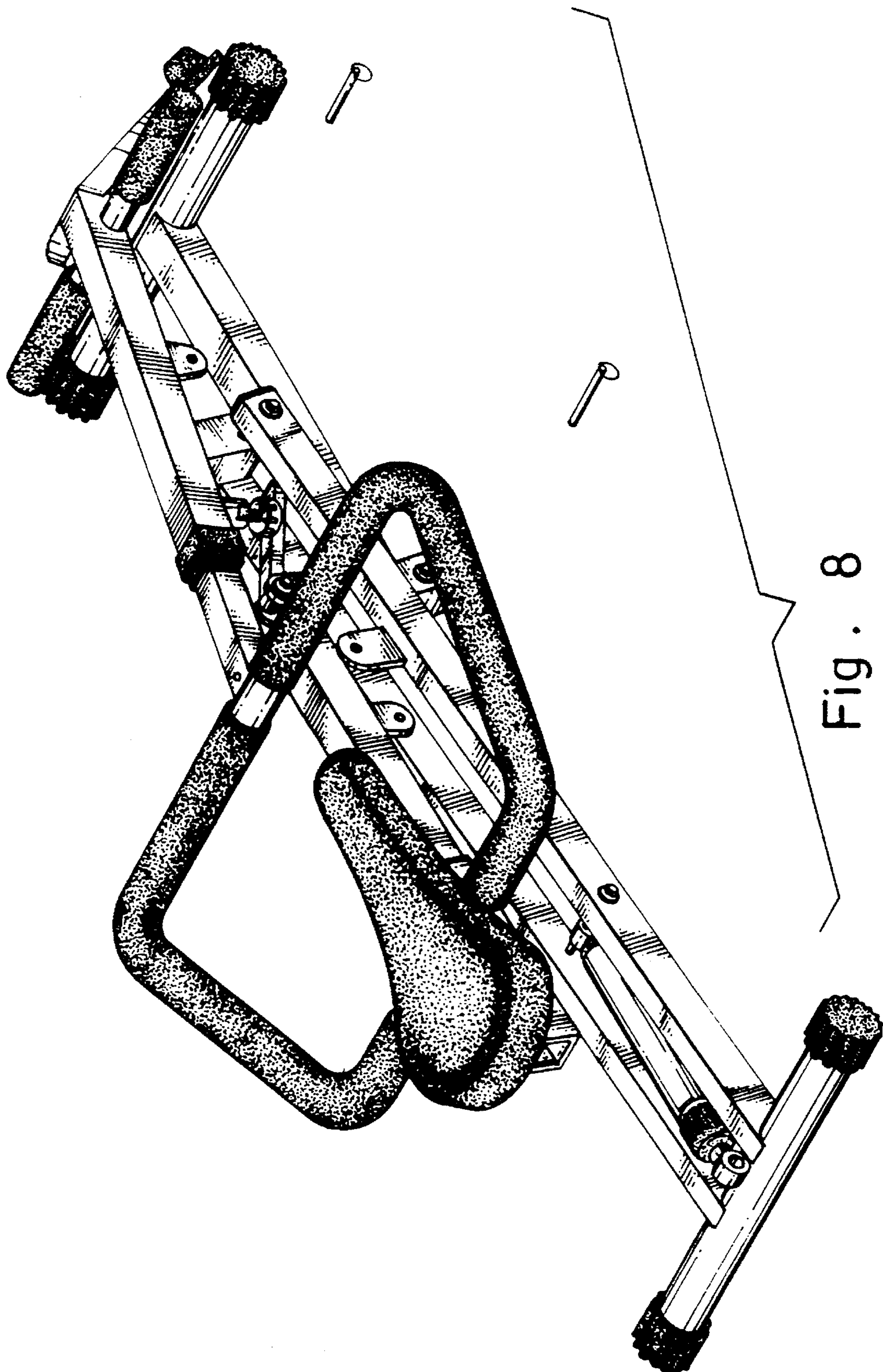


Fig. 8