



US00D378841S

United States Patent [19]
Huang

[11] **Patent Number: Des. 378,841**
[45] **Date of Patent: **Apr. 15, 1997**

[54] **HIKING EXERCISER**

5,536,224 7/1996 Hsieh 482/70

[76] Inventor: **Hui-Mei Huang**, No. 266, Tung Hsin Road, Tung Leh Village, Yuan San Hsiang, I Lan Hsien, Taiwan

Primary Examiner—Philip S. Hyder
Attorney, Agent, or Firm—Varndell Legal Group

[**] Term: **14 Years**

[57] **CLAIM**

The ornamental design for a hiking exerciser, as shown and described.

[21] Appl. No.: **49,217**

DESCRIPTION

[22] Filed: **Jan. 19, 1996**

[52] U.S. Cl. **D21/191**

[58] Field of Search D21/191, 192, D21/193, 194, 195; 482/51, 70, 54, 111, 112, 125, 73

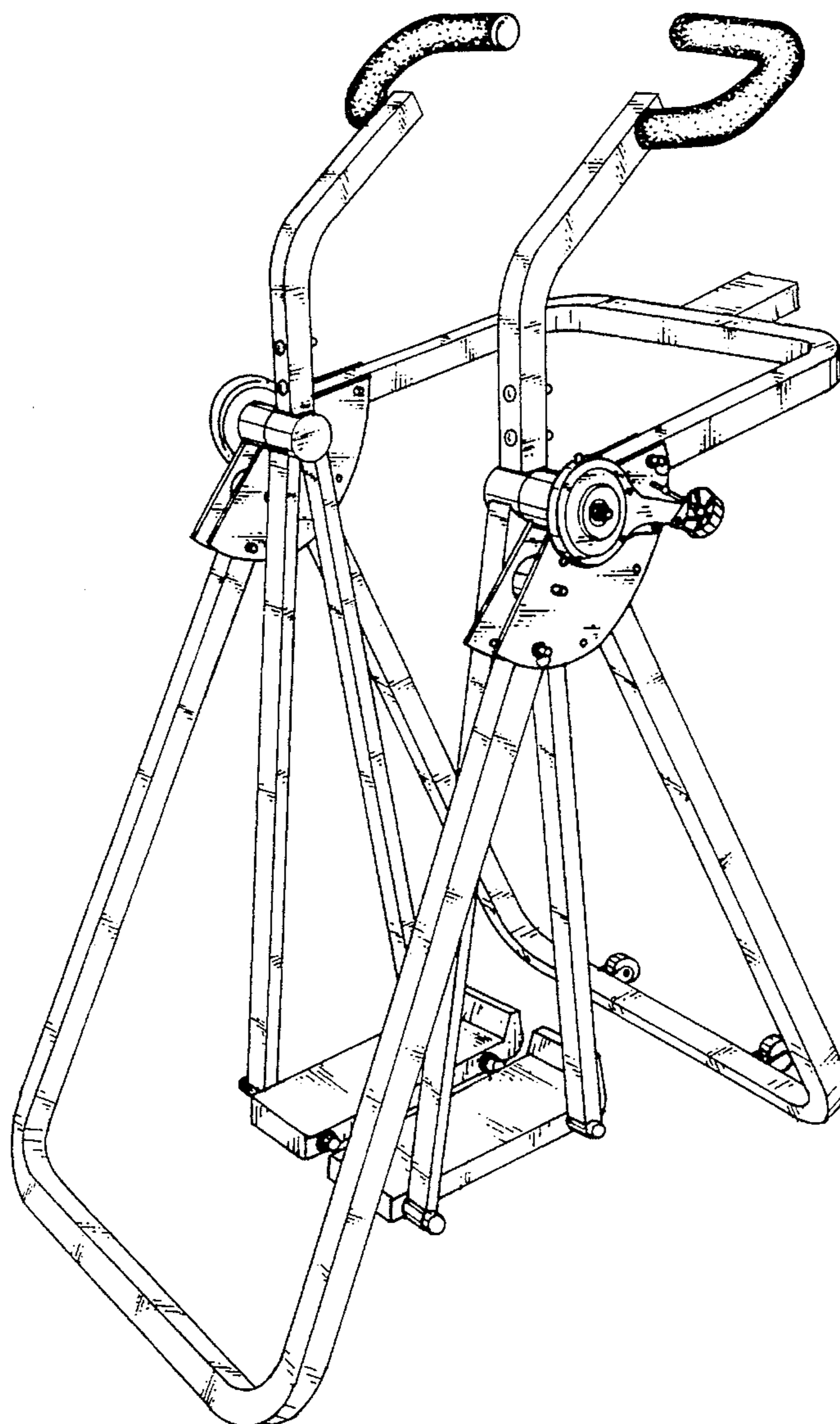
FIG. 1 is a perspective view of a hiking exerciser showing my new design;
FIG. 2 is a front elevational view thereof;
FIG. 3 is a top plan view thereof;
FIG. 4 is a bottom plan view thereof;
FIG. 5 is a left side elevational view thereof;
FIG. 6 is a right side elevational view thereof; and,
FIG. 7 is a rear elevational view thereof.

[56] **References Cited**

U.S. PATENT DOCUMENTS

4,940,233 7/1990 Bull et al. 482/70
5,419,747 5/1995 Piaget et al. 482/70

1 Claim, 7 Drawing Sheets



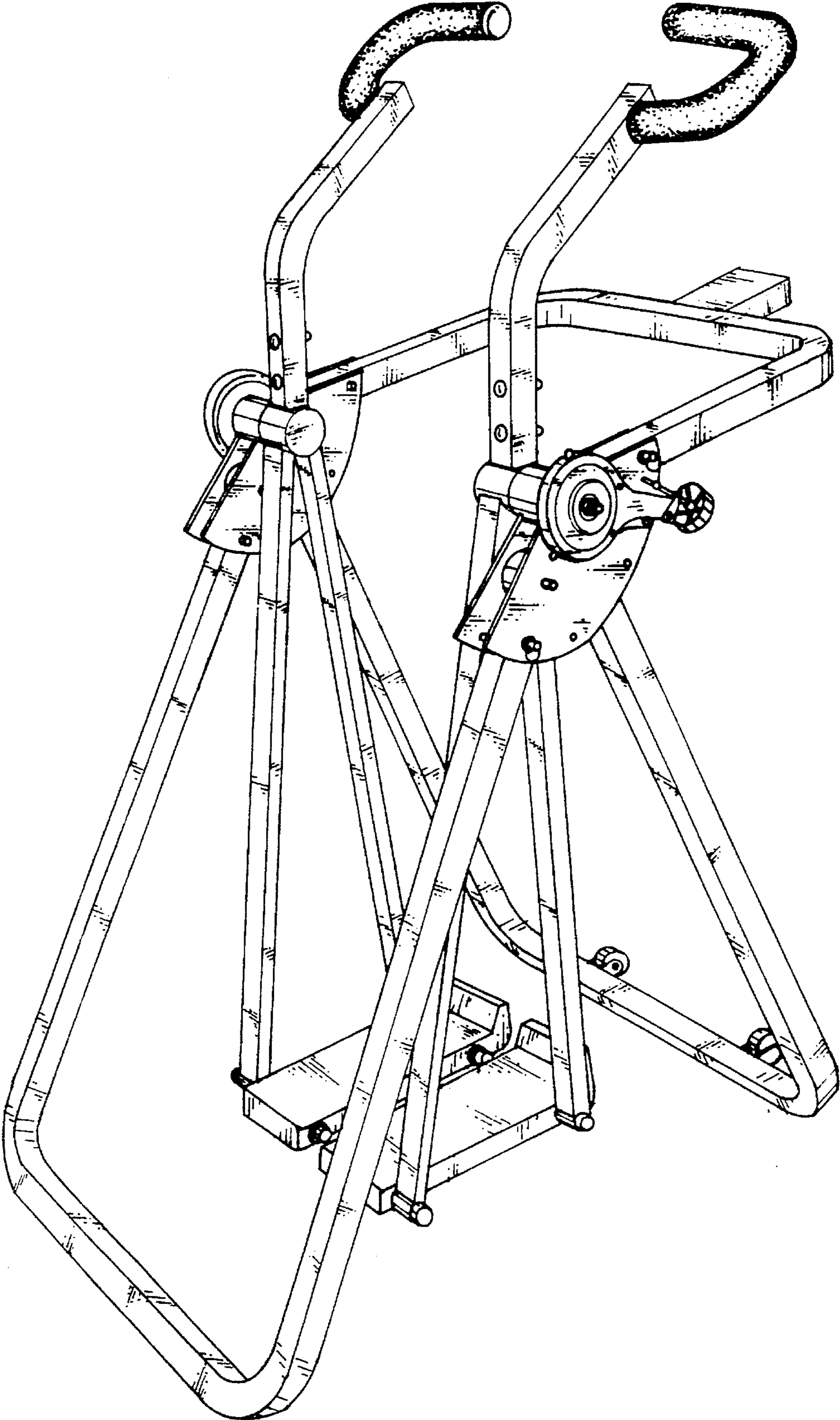


Fig. 1

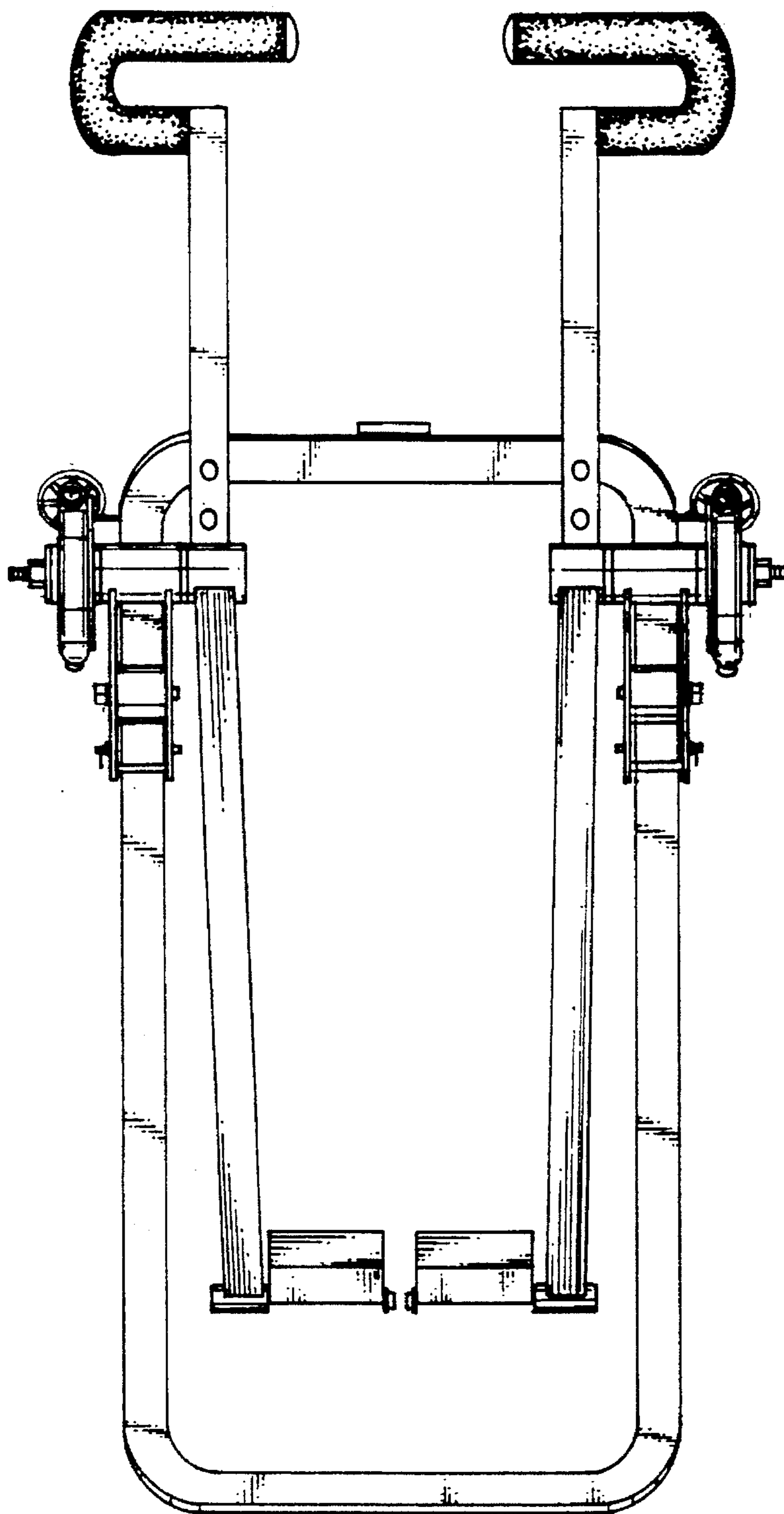


Fig. 2

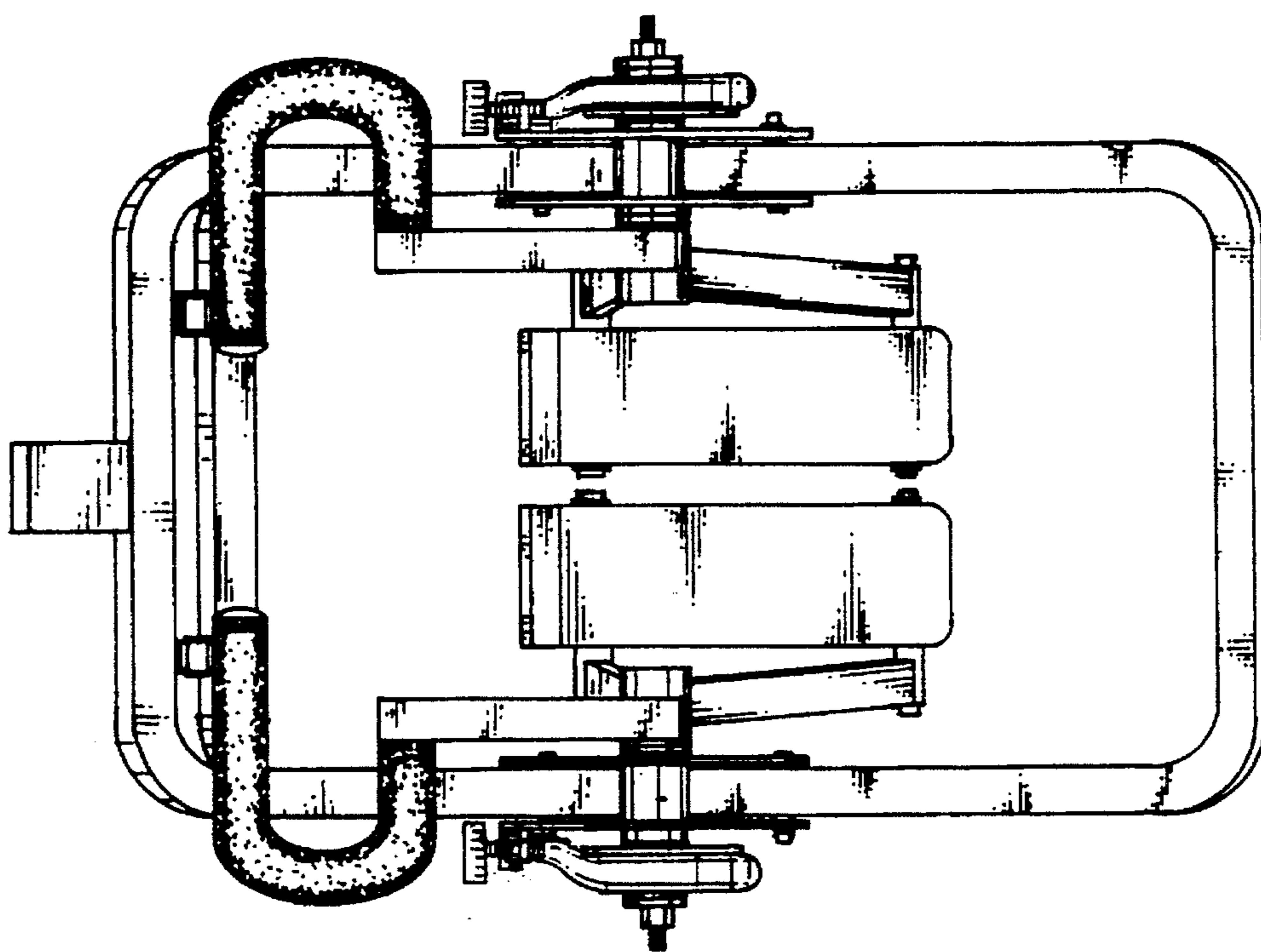


Fig. 3

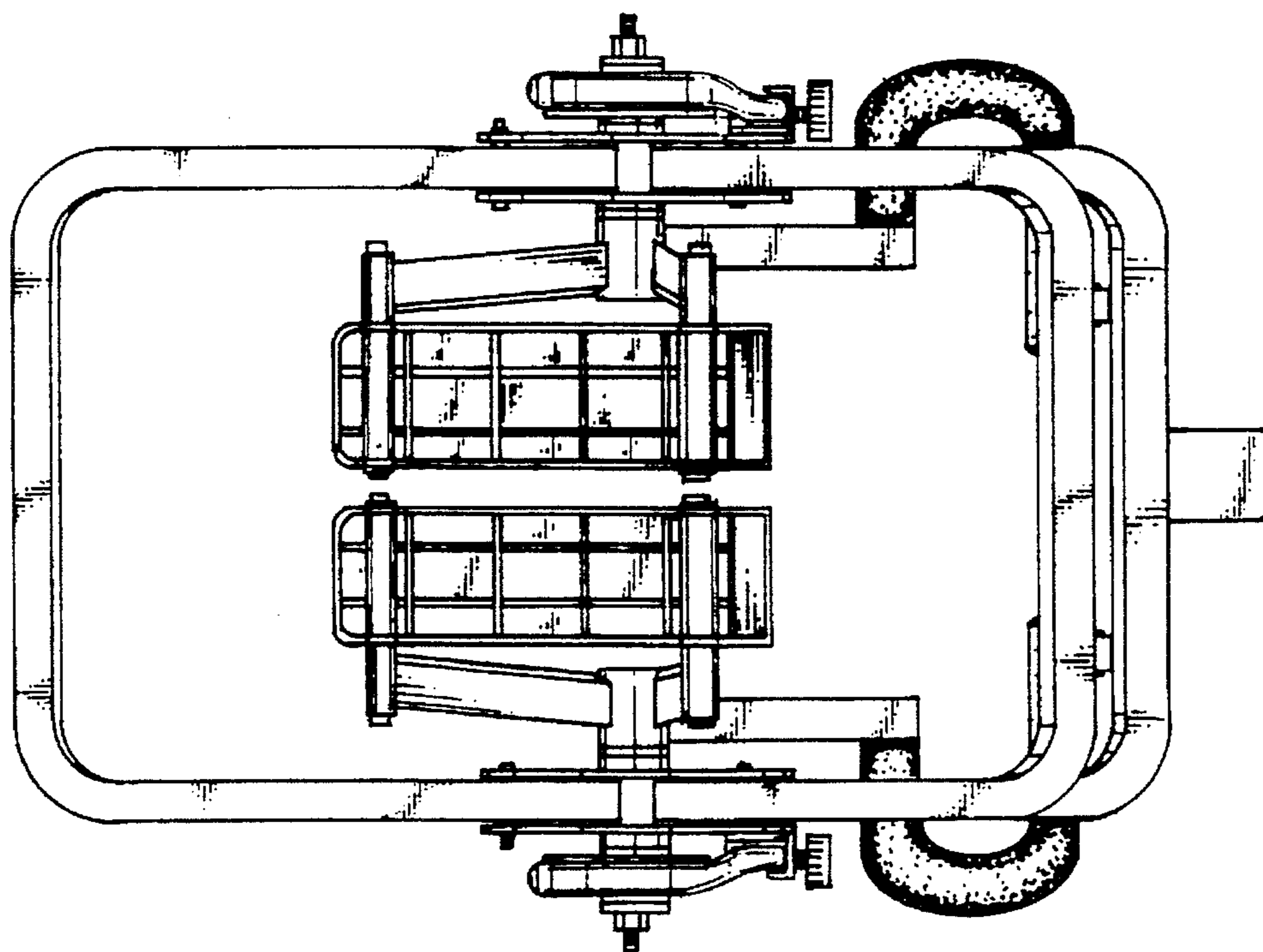


Fig. 4

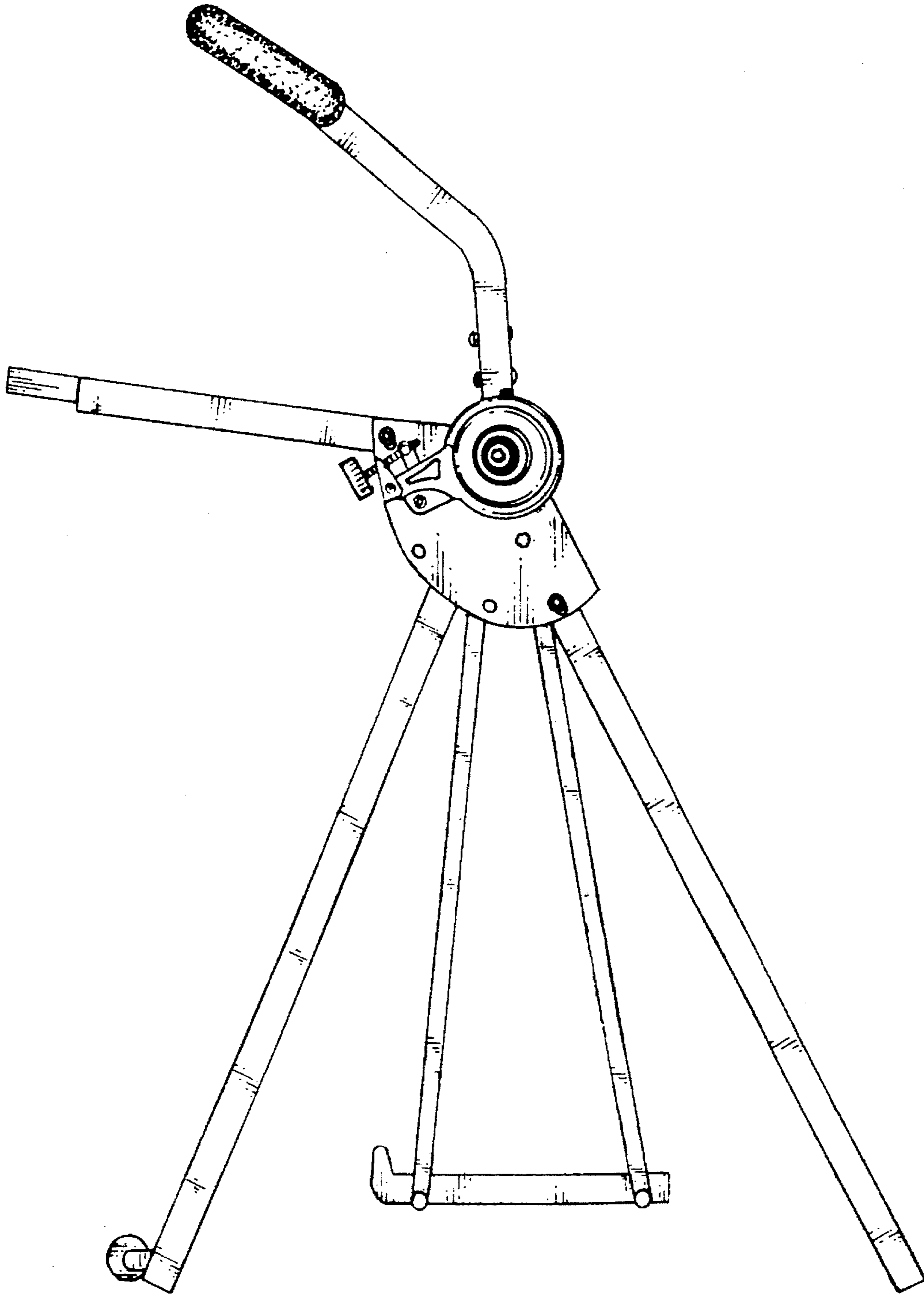


Fig. 5

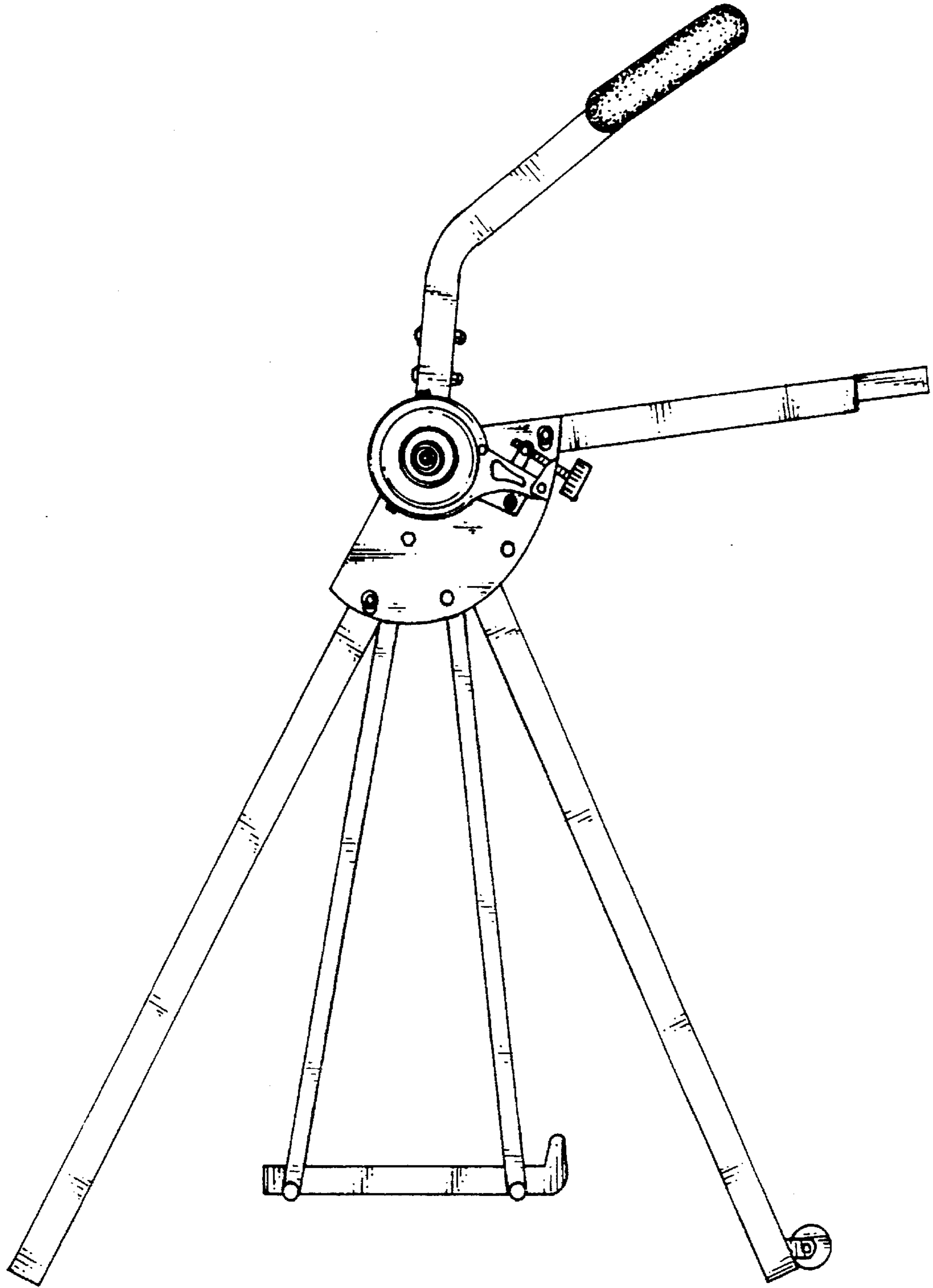


Fig. 6

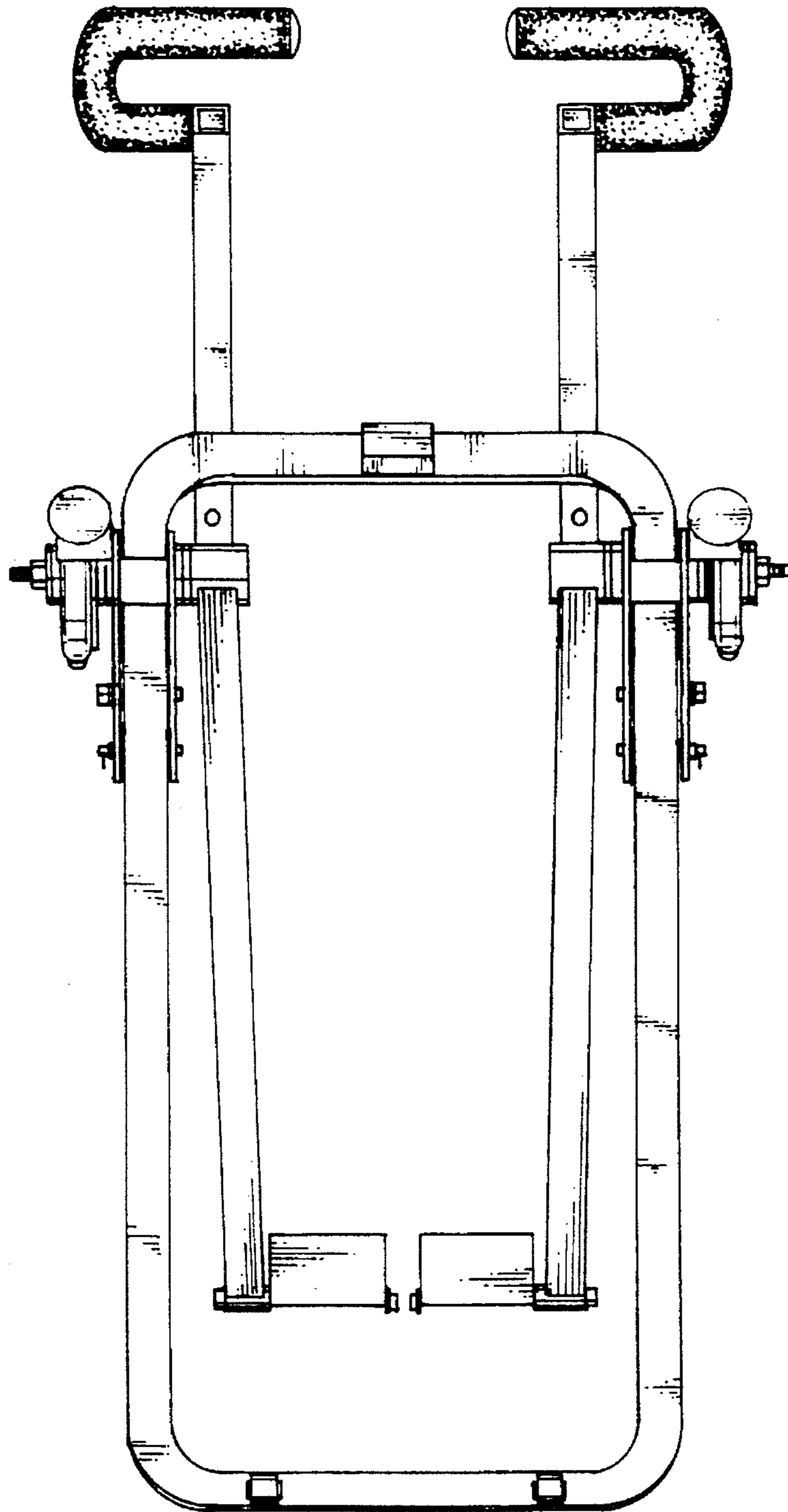


Fig. 7