



US00D378838S

# United States Patent [19]

Olsen et al.

[11] Patent Number: **Des. 378,838**

[45] Date of Patent: **\*\*Apr. 15, 1997**

## [54] TOY BUILDING ELEMENT

[75] Inventors: **Flemming H. Olsen**, Esbjerg; **Per Brømsø**, Copenhagen, both of Denmark

[73] Assignee: **INTERLEGO AG**, Baar, Switzerland

[\*\*] Term: **14 Years**

[21] Appl. No.: **43,964**

[22] Filed: **Sep. 14, 1995**

[52] U.S. Cl. .... **D21/108**

[58] Field of Search ..... D21/108, 109, D21/114, 124, 141; 446/103, 110, 115, 120, 124, 125, 126, 128, 479, 487

## [56] References Cited

### U.S. PATENT DOCUMENTS

D. 252,979	9/1979	Bayly	.....	D21/108
D. 324,084	2/1992	Knudsen	.....	D21/108
D. 333,851	3/1993	Olsen	.....	D21/108
D. 359,523	6/1995	Yeung	.....	D21/108
3,597,875	8/1971	Christiansen	.....	446/128
4,182,072	1/1980	Much	.....	446/115
4,744,780	5/1988	Volpe	.....	446/128

## OTHER PUBLICATIONS

Tyco Toy Catalog, 1987, p. 29, top and bottom of Toy Block on right side of page.

Lego Catalog, Block at top of page.

*Primary Examiner*—Raphael Barkai  
*Attorney, Agent, or Firm*—Kane, Dalsimer, Sullivan, Kurucz, Levy, Eisele and Richard, LLP

## [57] CLAIM

The ornamental design for a toy building element, as shown and described.

## DESCRIPTION

FIG. 1 is a top perspective view of the toy building element showing our new design;

FIG. 2 is a bottom perspective view thereof;

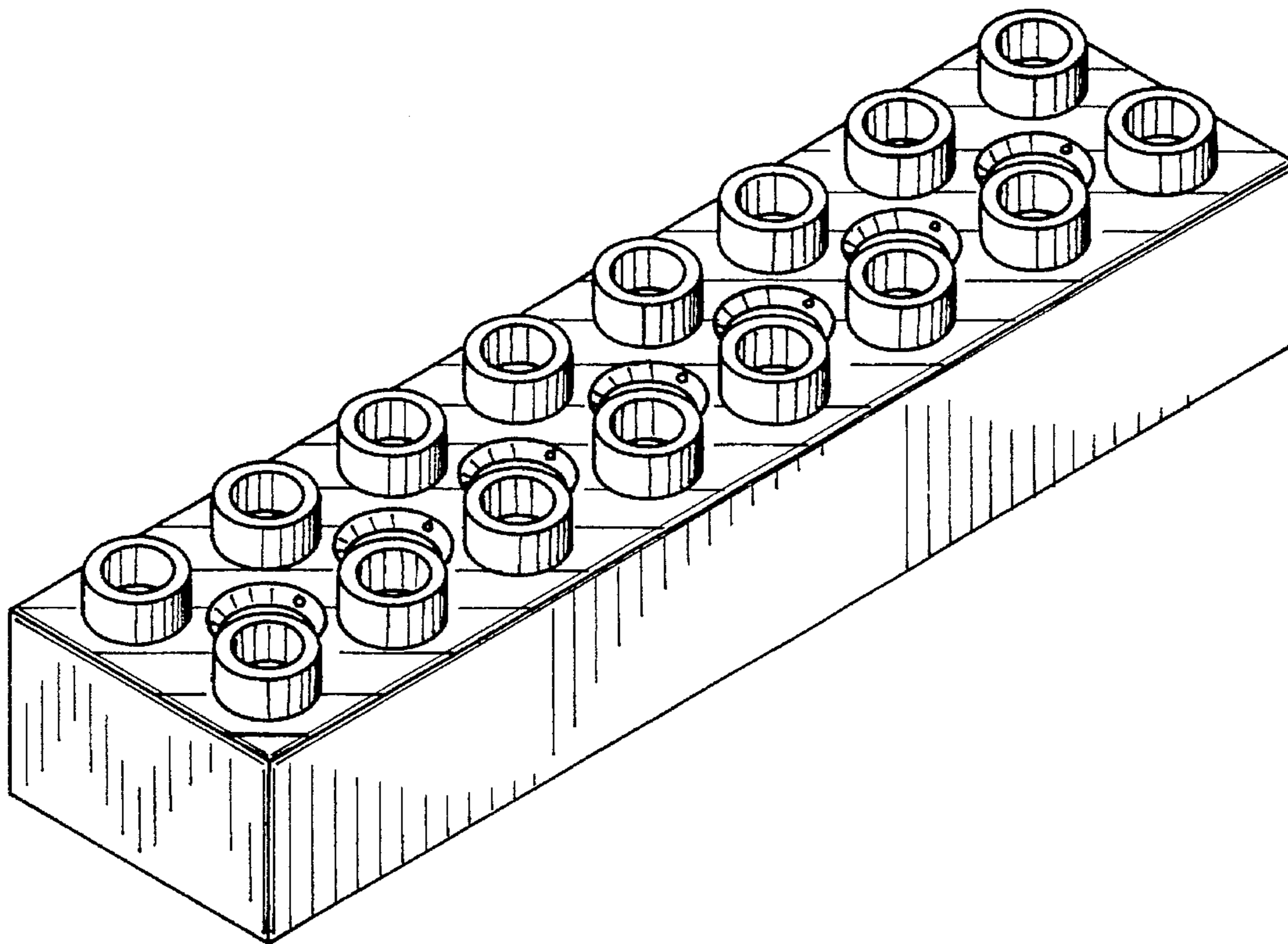
FIG. 3 is a front elevational view thereof, the rear view being identical;

FIG. 4 is a right side elevational view thereof, the left side being identical;

FIG. 5 is a bottom plan view thereof; and,

FIG. 6 is a top plan view thereof.

**1 Claim, 2 Drawing Sheets**



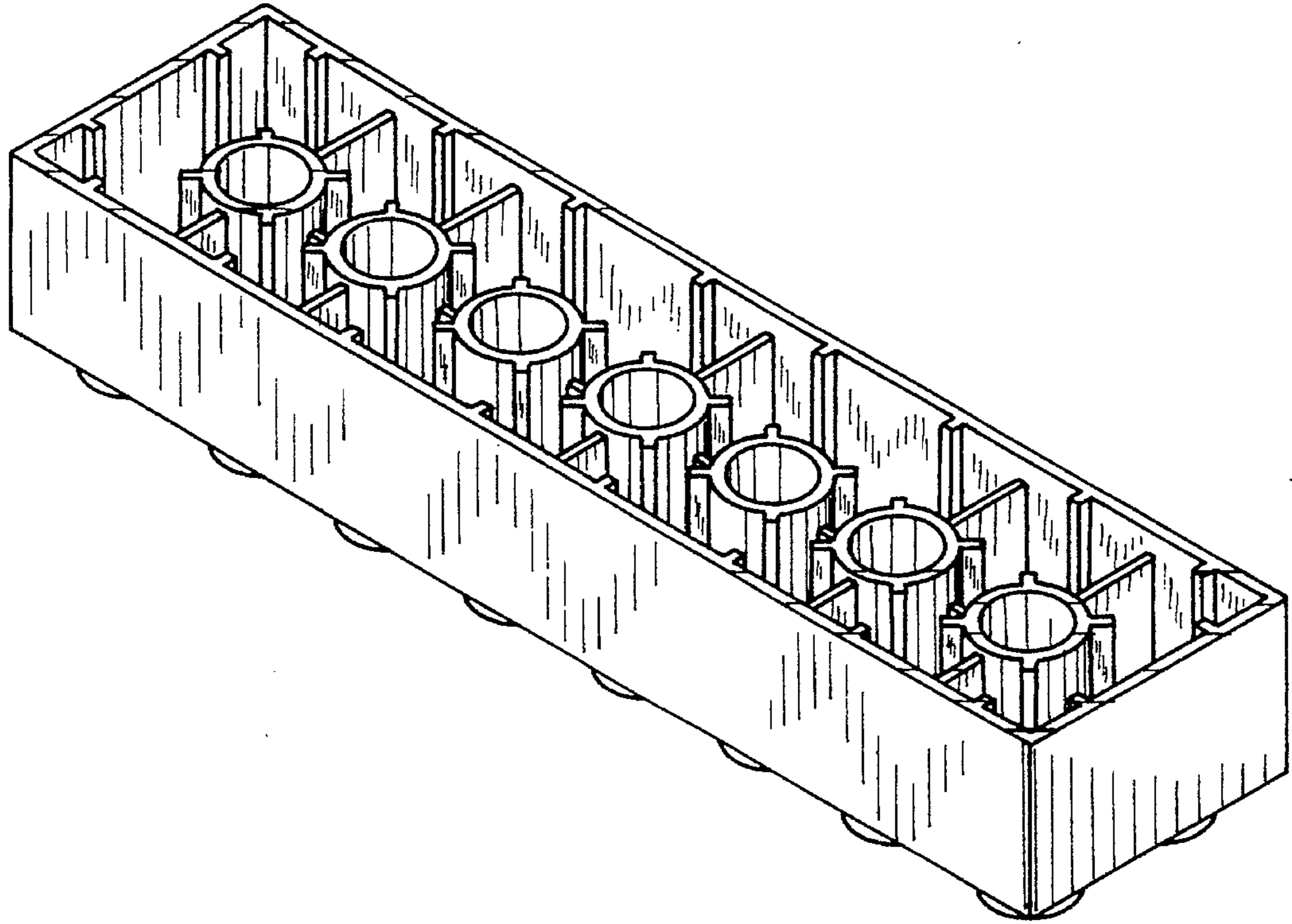


FIG. 2

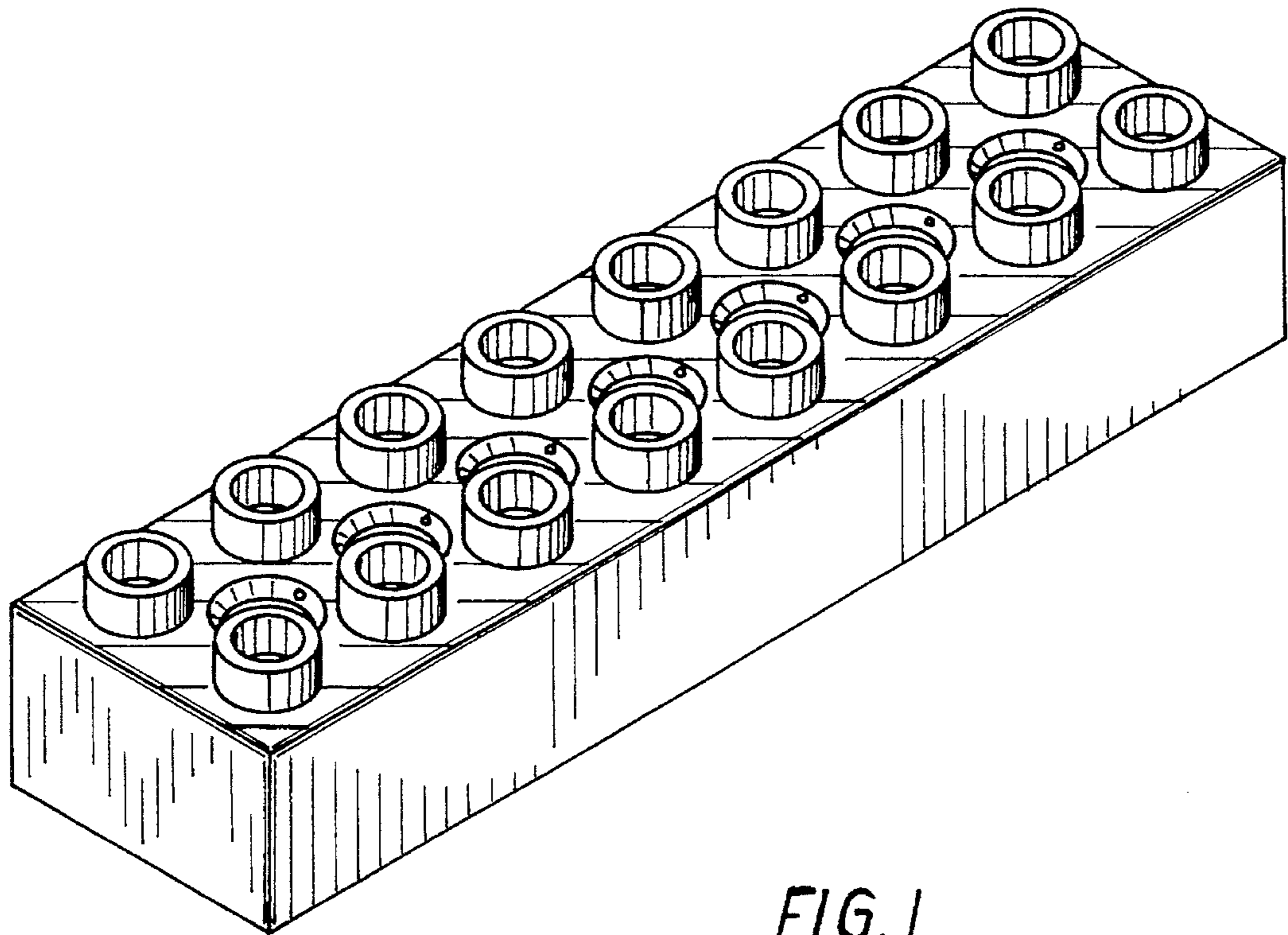


FIG. 1

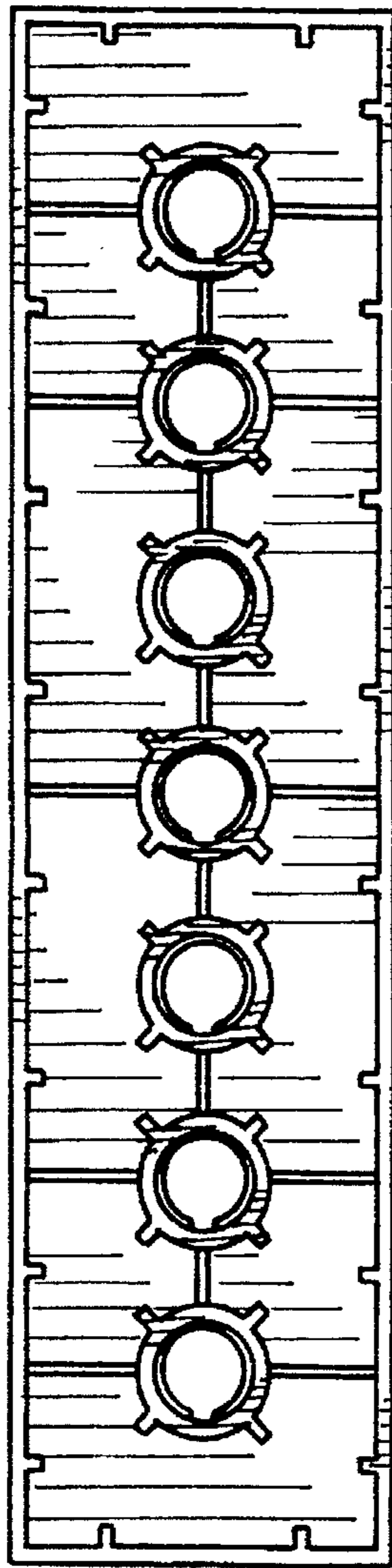


FIG. 5

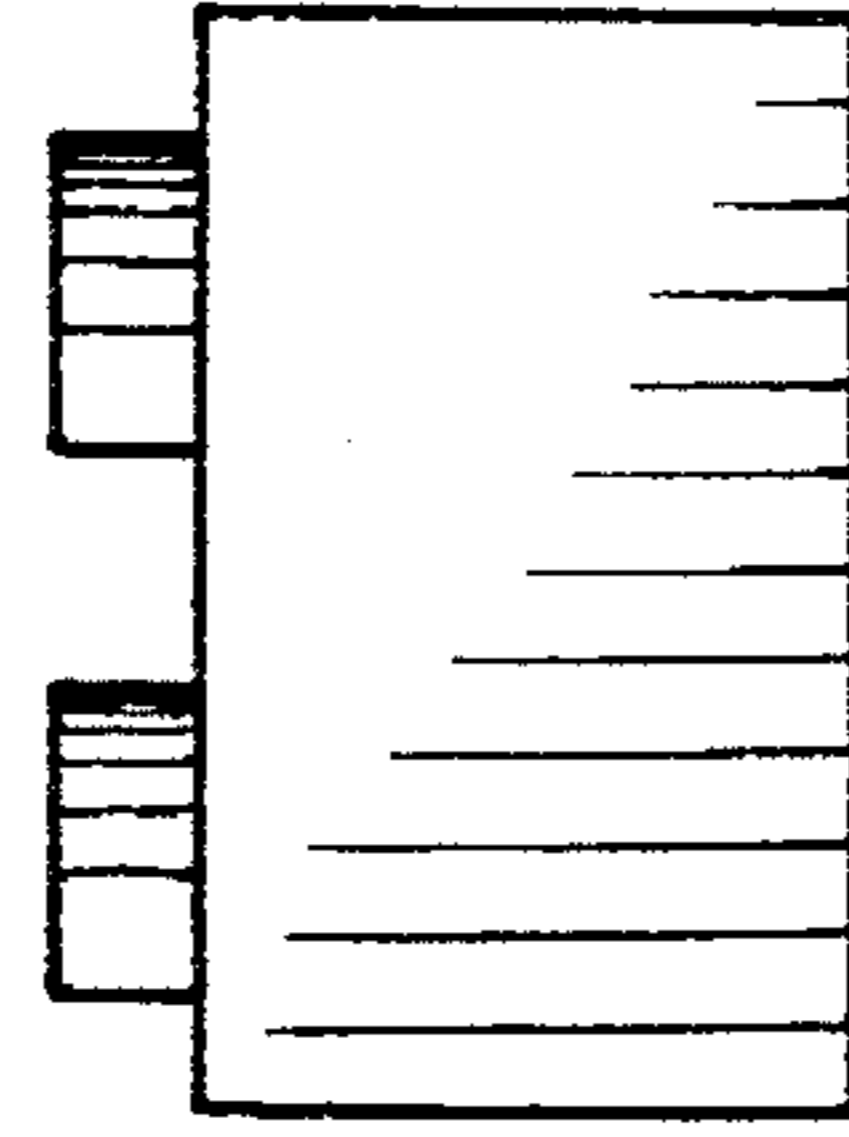


FIG. 3



FIG. 4

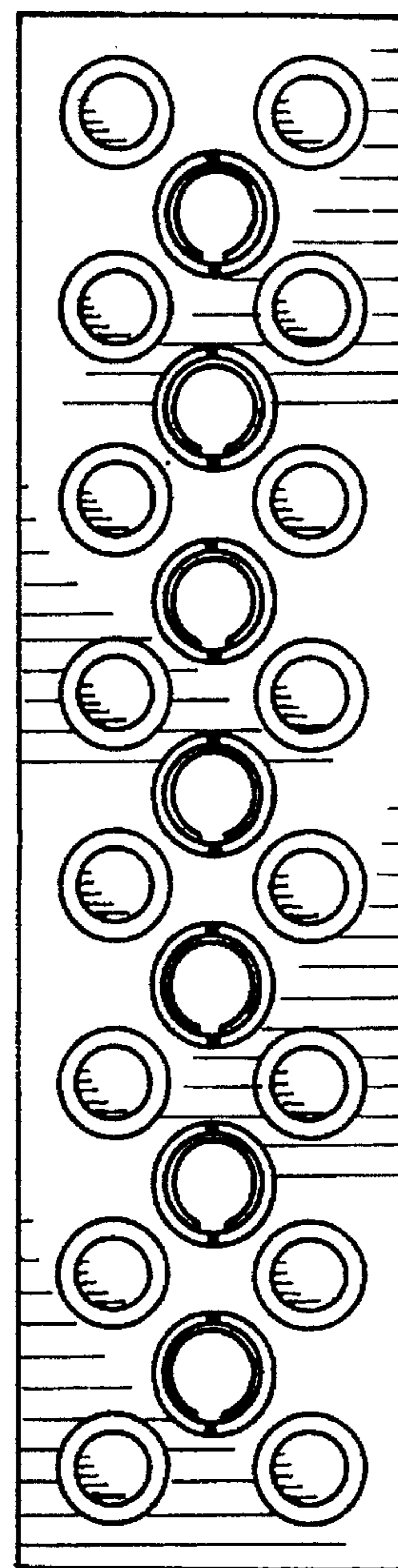


FIG. 6