



US00D378830S

# United States Patent [19] Kim

[11] Patent Number: **Des. 378,830**

[45] Date of Patent: **\*\*Apr. 15, 1997**

[54] **PROCESS CARTRIDGE**

[75] Inventor: **Sung W. Kim**, Kyungki-do, Rep. of Korea

[73] Assignee: **Samsung Electronics Co., Ltd.**, Kyungki-do, Rep. of Korea

[\*\*] Term: **14 Years**

[21] Appl. No.: **49,640**

[22] Filed: **Jan. 16, 1996**

[30] **Foreign Application Priority Data**

Jul. 19, 1995 [KR] Rep. of Korea ..... 1995-13591

[52] **U.S. Cl.** ..... **D18/43**

[58] **Field of Search** ..... D18/36, 40, 43, D18/56; 206/216, 229, 316, 446, 461, 467, 474, 495, 527, 532, 601, 628, 633; 222/166, 240, 325, 541, DIG. 1; 355/200, 245, 260

[56] **References Cited**

**U.S. PATENT DOCUMENTS**

- D. 286,542 11/1986 Saito ..... D18/43
- D. 298,333 11/1988 Masaki et al. .... D18/40 X
- D. 303,543 9/1989 Seki ..... D18/36

- D. 329,453 9/1992 Tashiro ..... D18/40 X
- D. 353,616 12/1994 Ishibashi et al. .... D18/40 X
- D. 354,980 1/1995 Nakajima et al. .... D18/43
- 4,575,221 3/1986 Onoda et al. .... 355/200

*Primary Examiner*—James M. Gandy  
*Assistant Examiner*—Caron D. Veynar  
*Attorney, Agent, or Firm*—Flynn, Thiel, Boutell & Tanis, P.C.

[57] **CLAIM**

The ornamental design for a process cartridge, as shown and described.

**DESCRIPTION**

FIG. 1 is a perspective view of a process cartridge according to the present invention;  
FIG. 2 is a top view thereof;  
FIG. 3 is a bottom view thereof;  
FIG. 4 is a front elevational view thereof;  
FIG. 5 is a rear elevational view thereof;  
FIG. 6 is a left-side elevational view thereof;  
FIG. 7 is a right-side elevational view thereof; and,  
FIG. 8 is a cross section view taken along line 8—8 in FIG. 4.

**1 Claim, 4 Drawing Sheets**

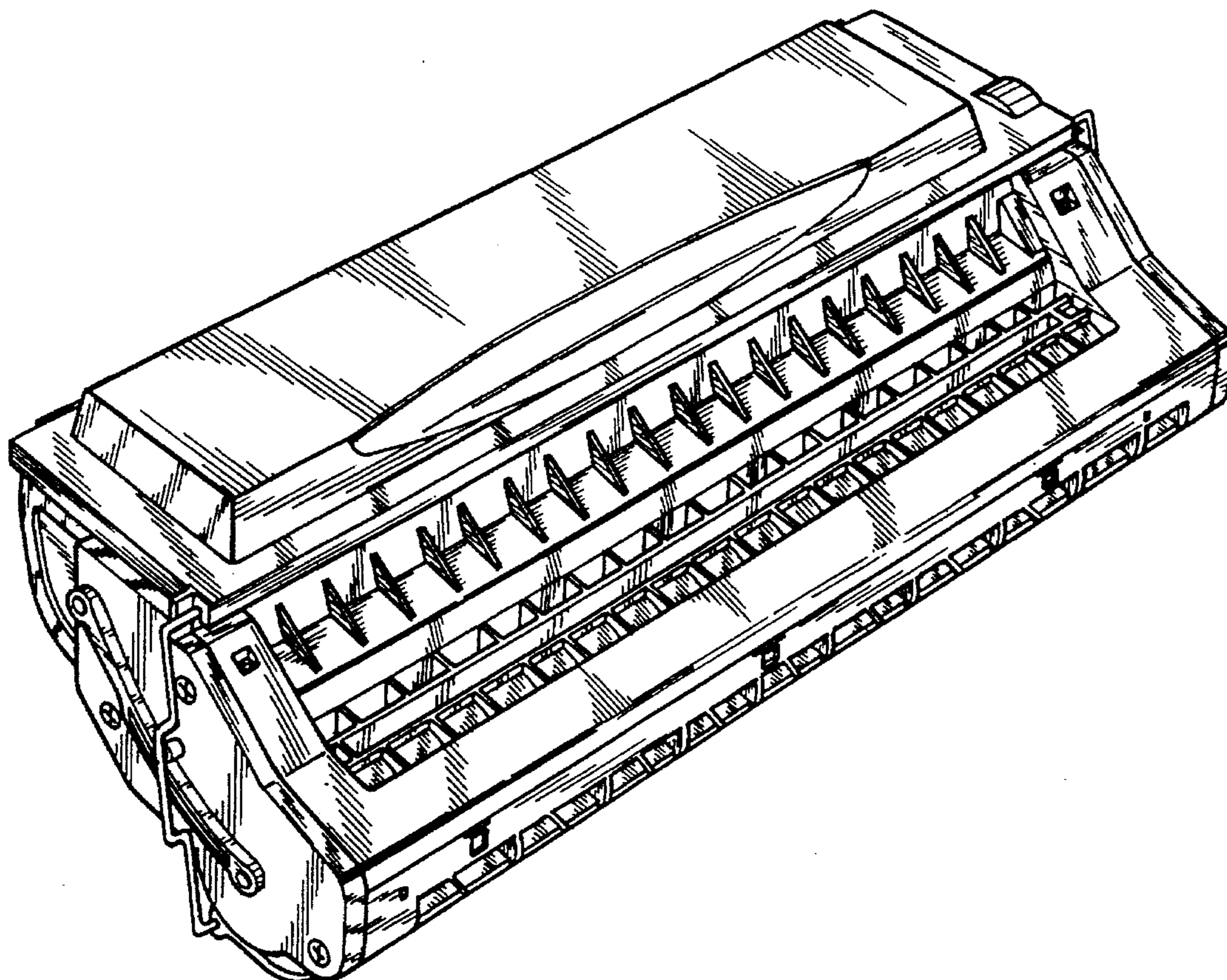


FIG. 1

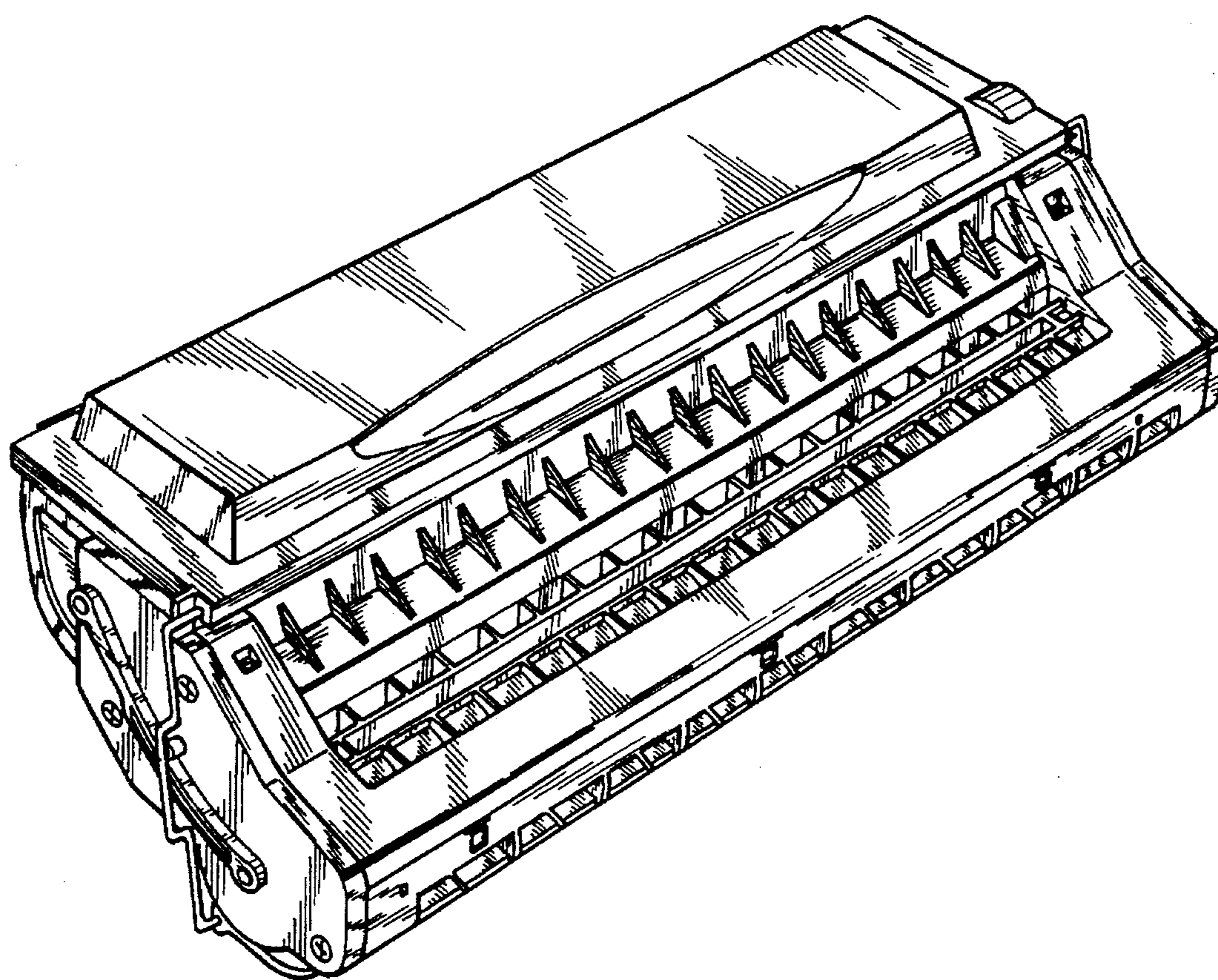




FIG. 2

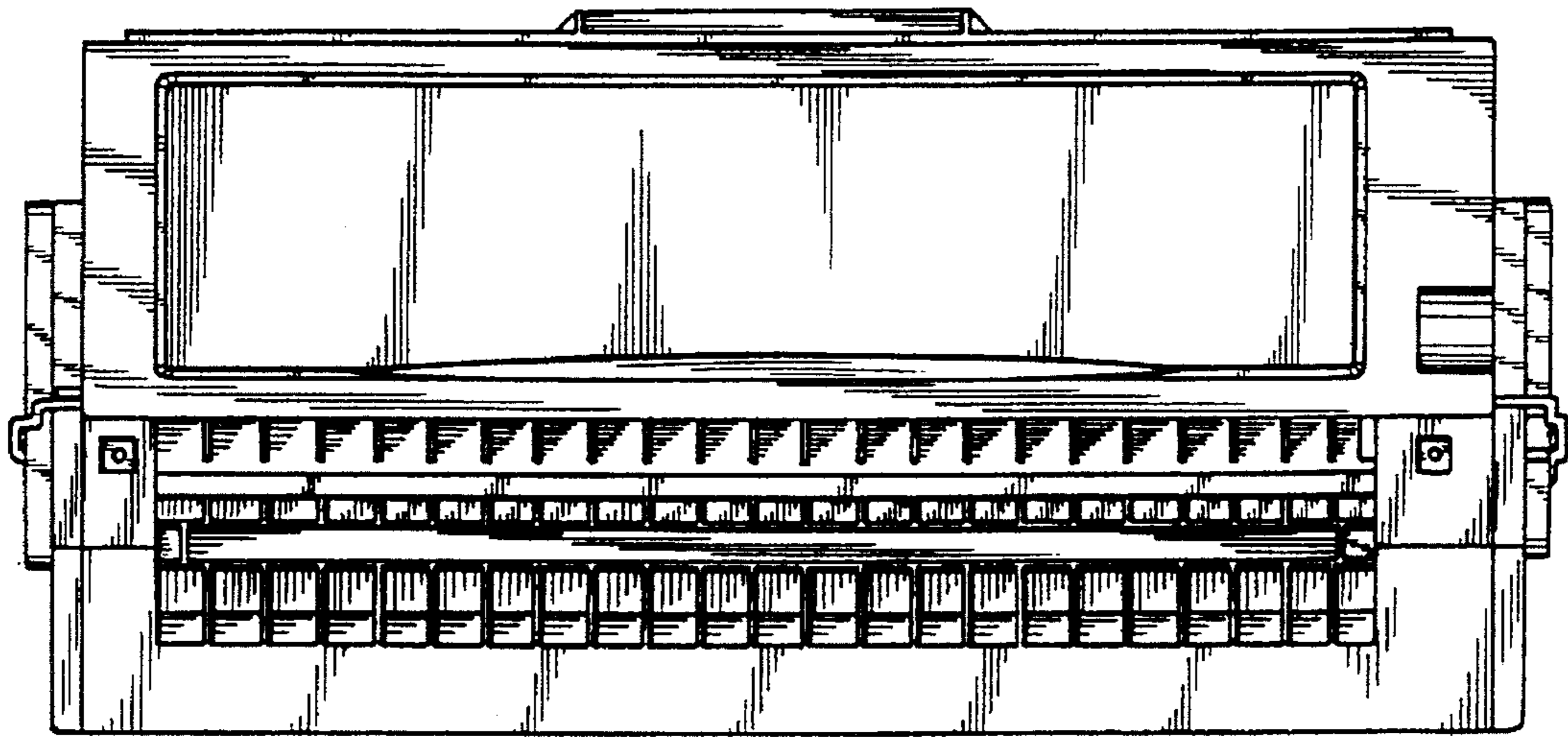
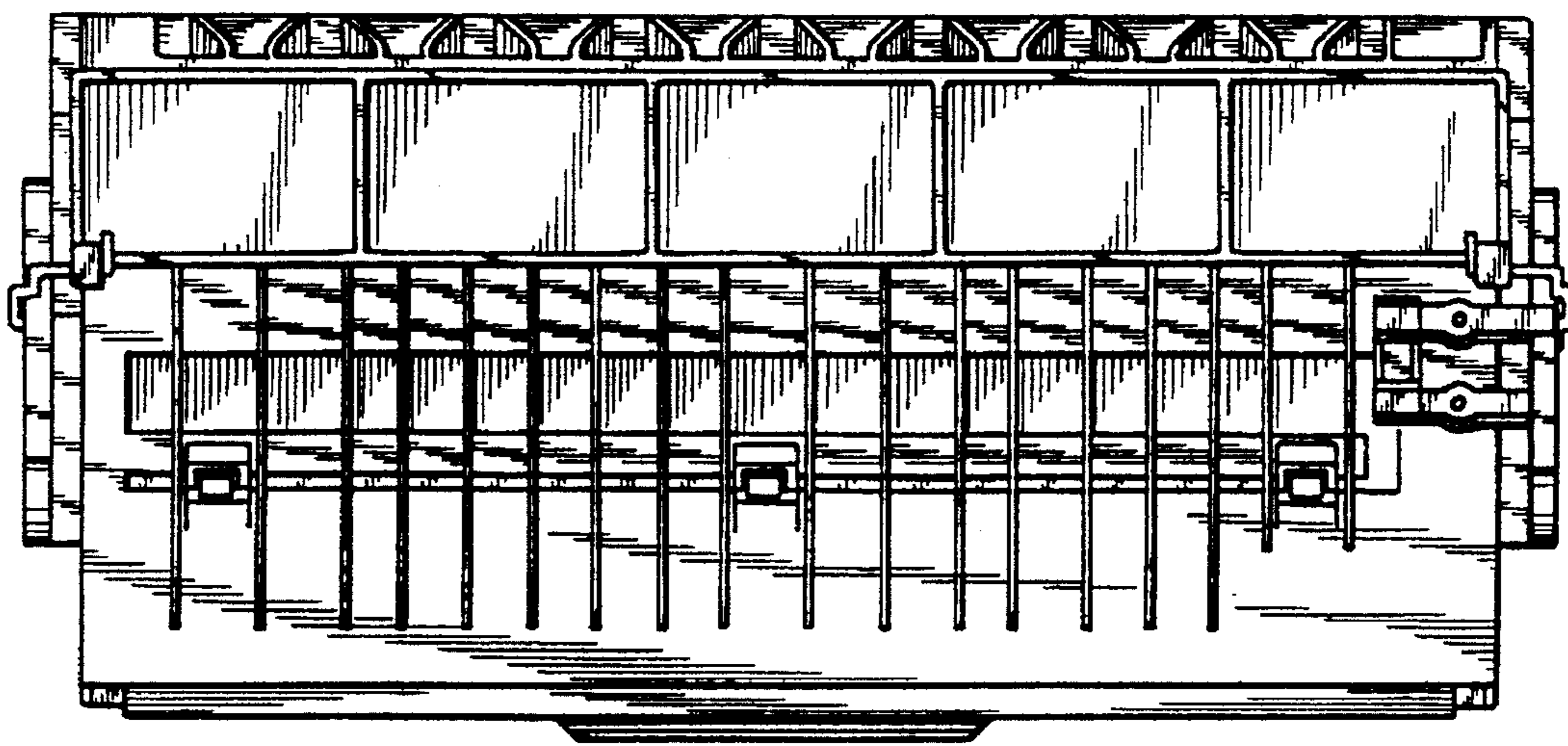
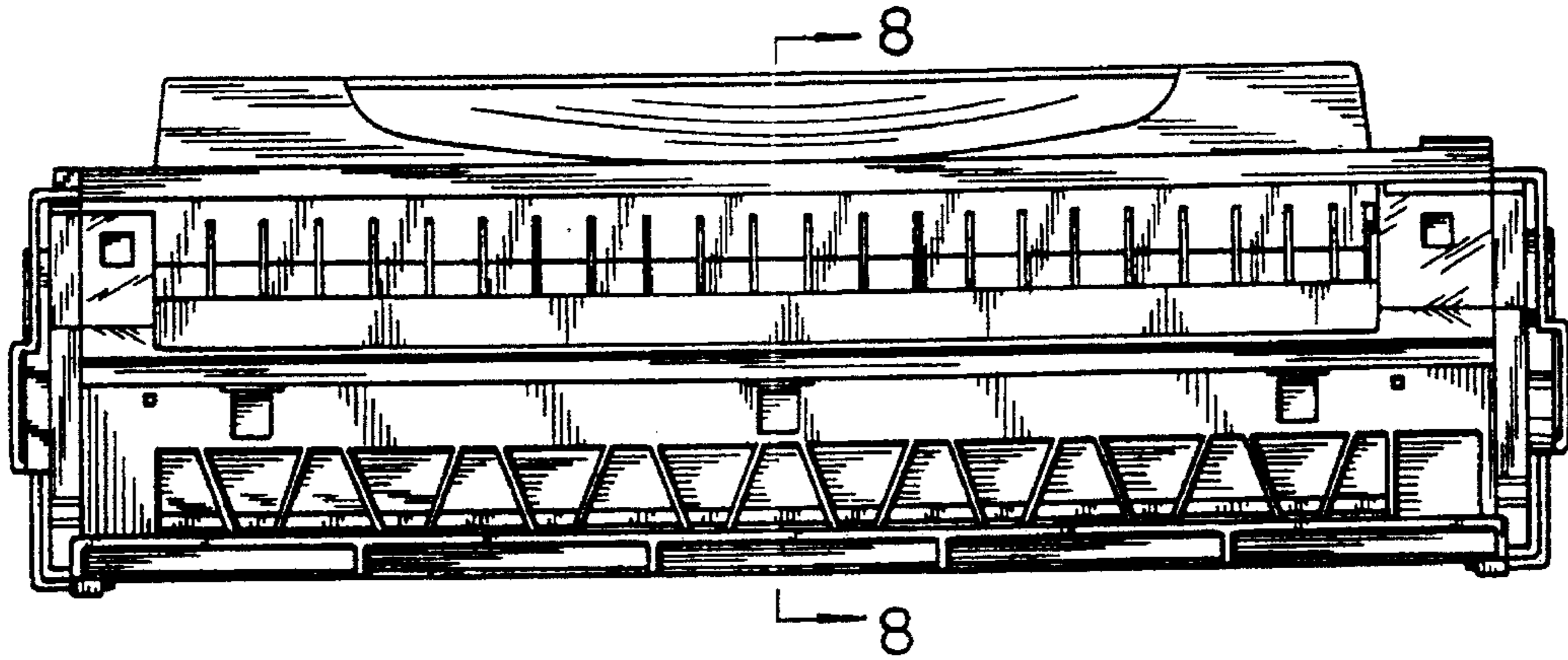


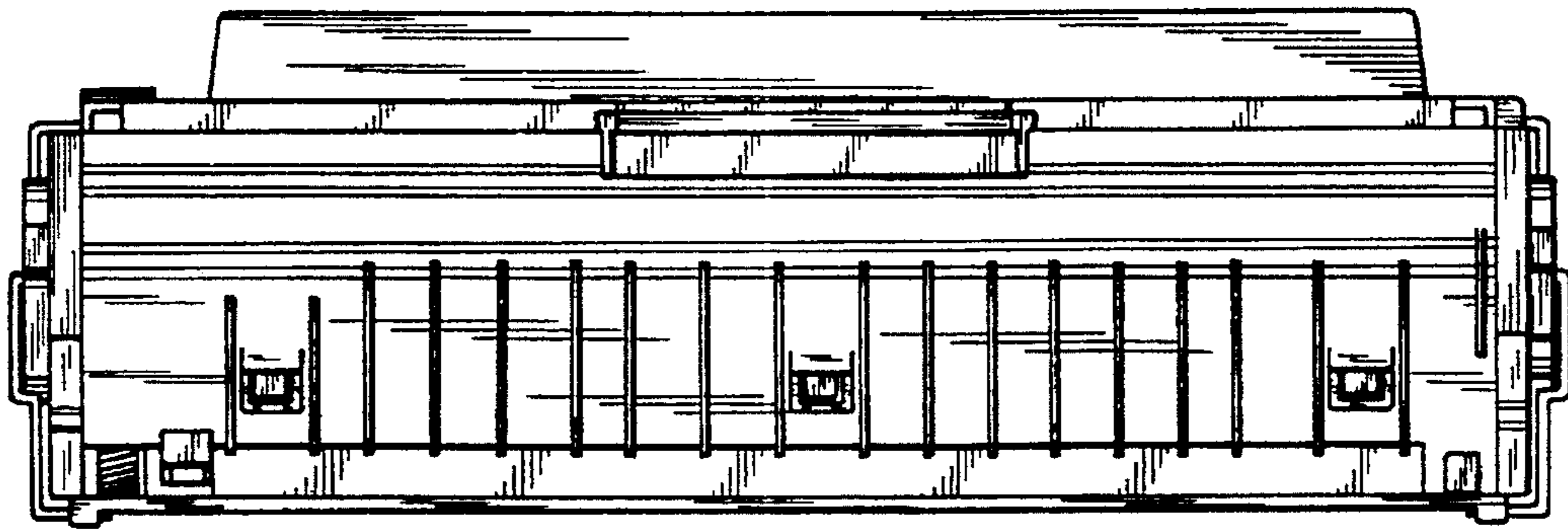
FIG. 3



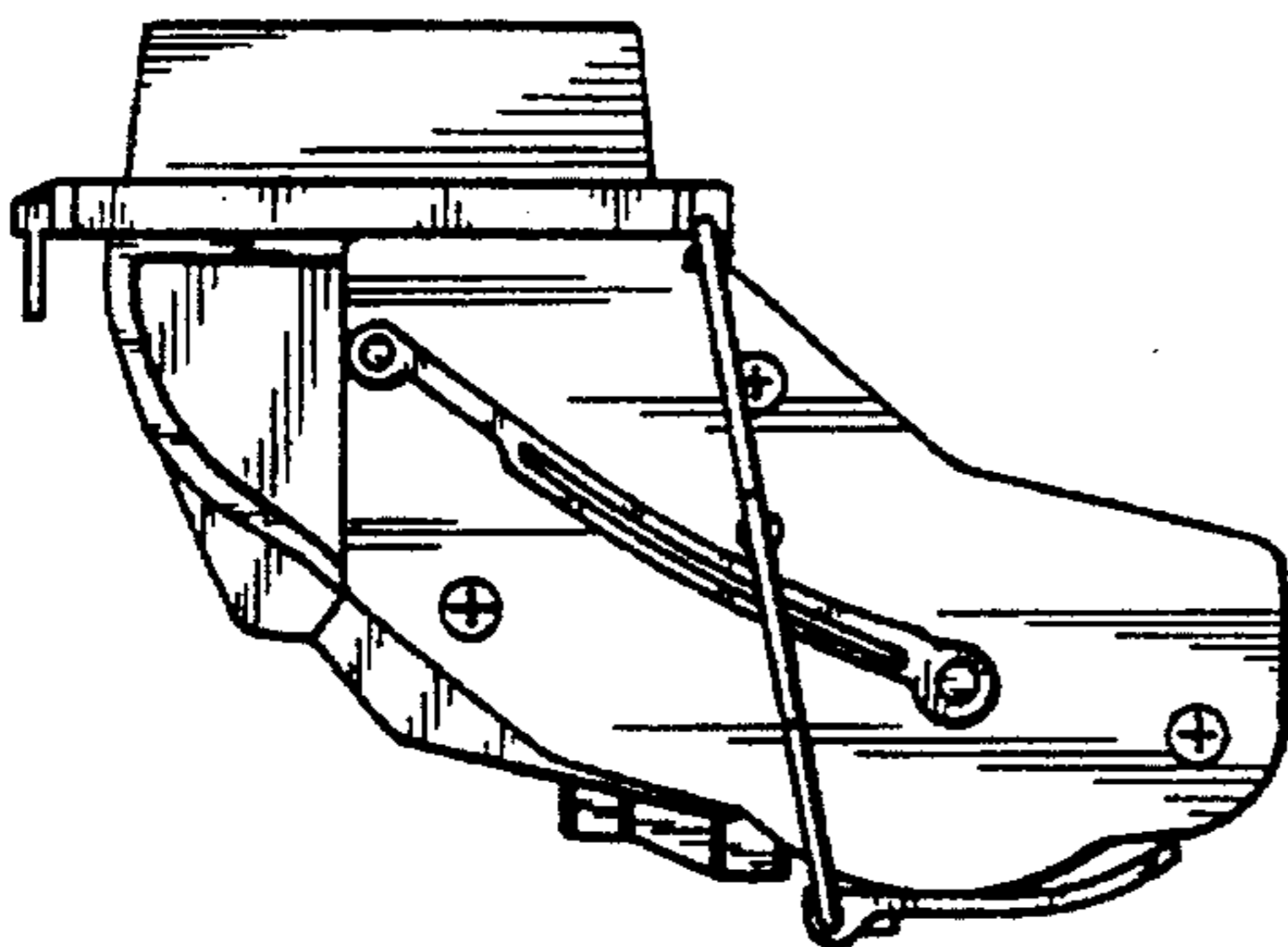
FIG, 4



FIG, 5



FIG, 6



FIG, 7

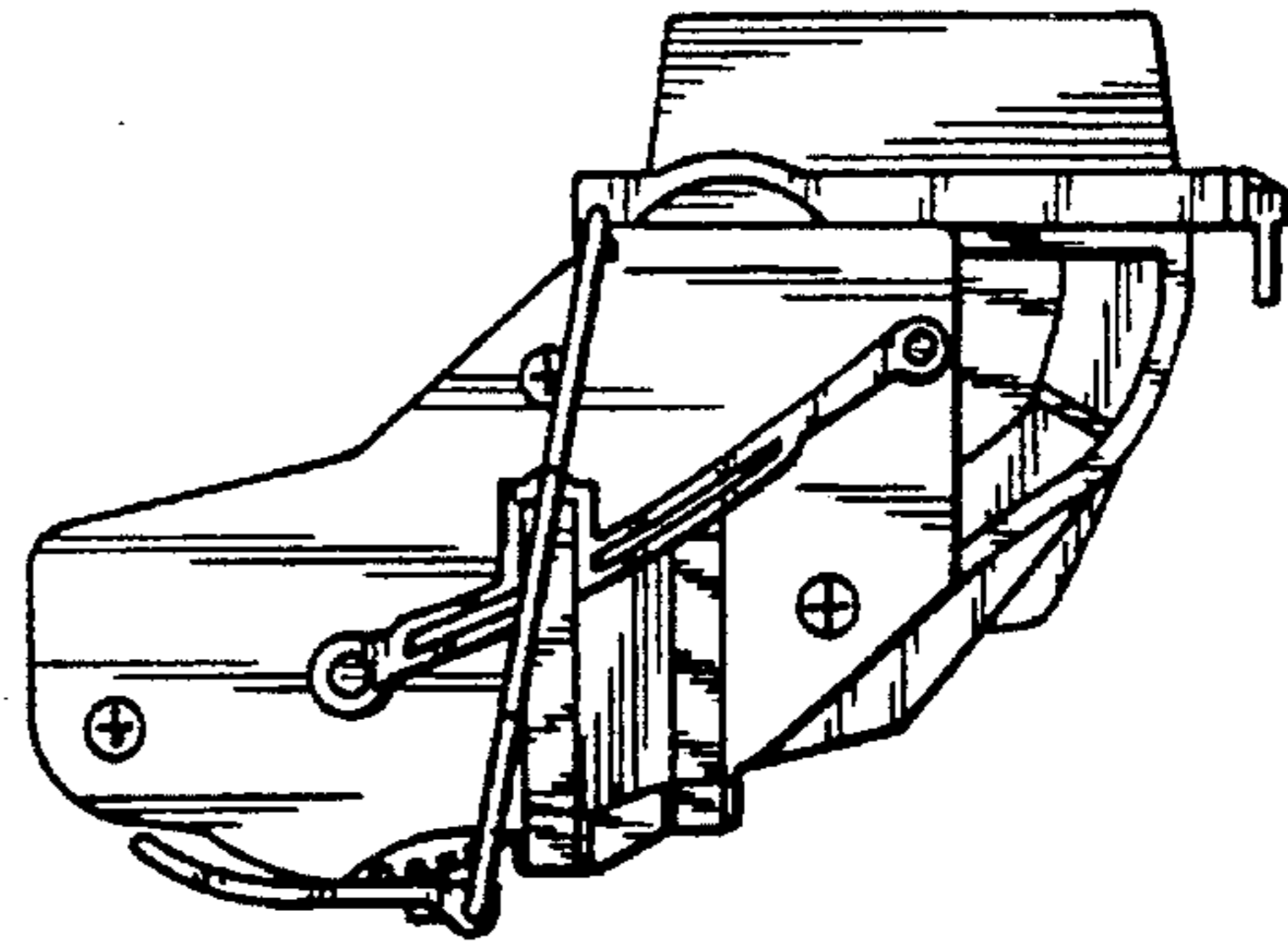


FIG. 8

