

US00D378829S

# United States Patent [19]

Aoyama et al.

[11] Patent Number: **Des. 378,829**

[45] Date of Patent: **\*\*Apr. 15, 1997**

[54] **IMAGE FORMING APPARATUS**

[75] Inventors: **Mamoru Aoyama; Eiji Nittono**, both of Ebina, Japan

[73] Assignee: **Fuji Xerox Co., Ltd.**, Tokyo, Japan

[\*\*] Term: **14 Years**

[21] Appl. No.: **49,861**

[22] Filed: **Feb. 1, 1996**

[30] **Foreign Application Priority Data**

Aug. 10, 1995 [JP] Japan ..... 7-23291

[52] U.S. Cl. .... **D18/40; D18/43**

[58] Field of Search ..... D18/36, 40, 43, D18/56; 222/DIG. 1; 355/206, 208, 245, 260, 298

[56] **References Cited**

**U.S. PATENT DOCUMENTS**

- D. 286,297 10/1986 Clowe et al. .... D18/36
- D. 286,541 11/1986 Takahashi et al. .... D18/43

- D. 298,336 11/1988 Masaki ..... D18/43
- D. 308,696 6/1990 Tanizawa et al. .... D18/40
- D. 362,014 9/1995 Ishibashi et al. .... D18/40 X
- D. 362,458 9/1995 Suzuki et al. .... D18/40 X

*Primary Examiner*—James M. Gandy  
*Assistant Examiner*—Caron D. Veynar  
*Attorney, Agent, or Firm*—Oliff & Berridge

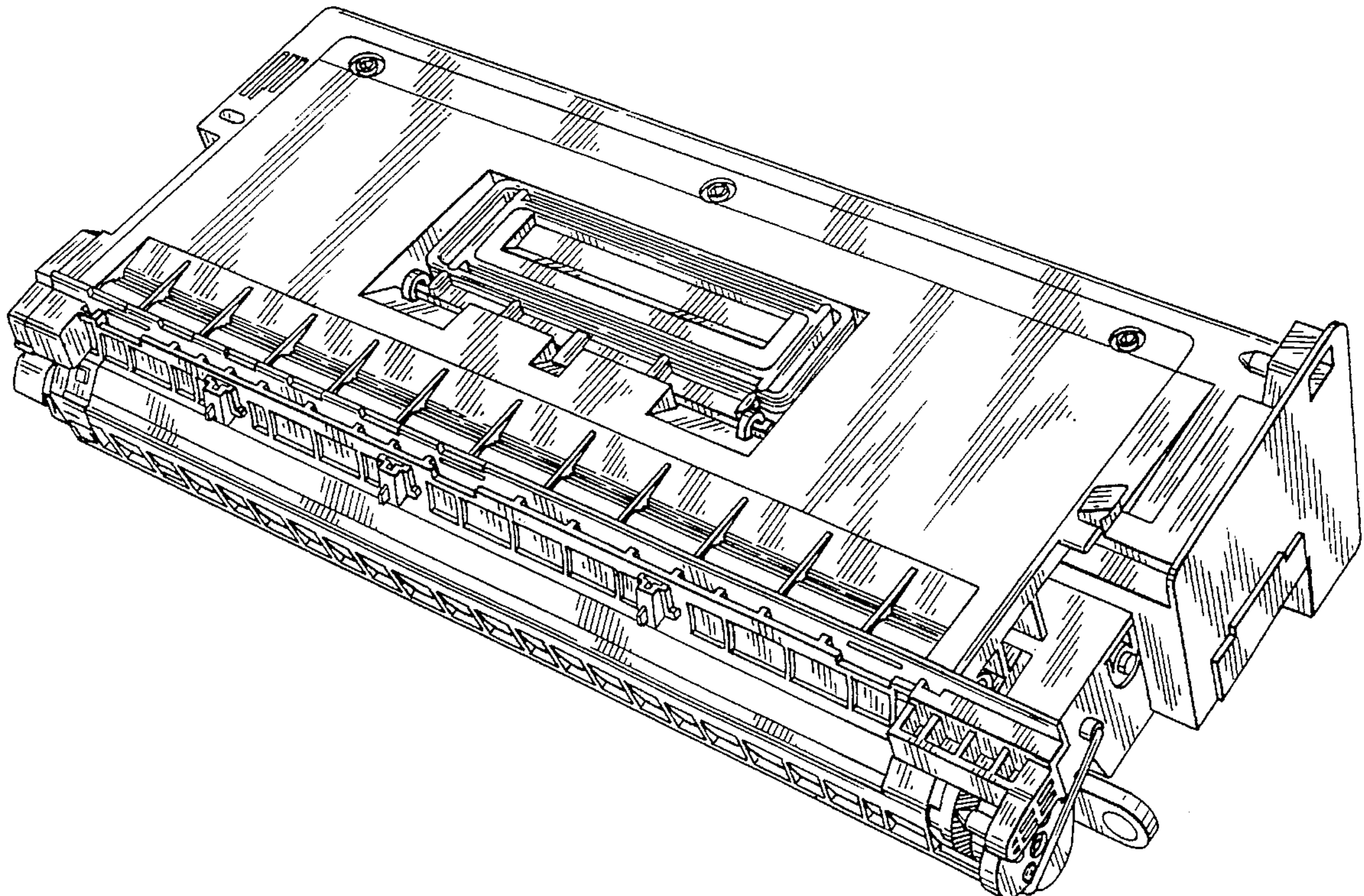
[57] **CLAIM**

The ornamental design for an image forming apparatus, as shown and described.

**DESCRIPTION**

FIG. 1 is a perspective view of the top, front and right side of an image forming apparatus showing our new design; FIG. 2 is a front view thereof; FIG. 3 is a top plan view thereof; FIG. 4 is a left side view thereof; FIG. 5 is a right side view thereof; FIG. 6 is a rear view thereof; and, FIG. 7 is a bottom view thereof.

**1 Claim, 6 Drawing Sheets**



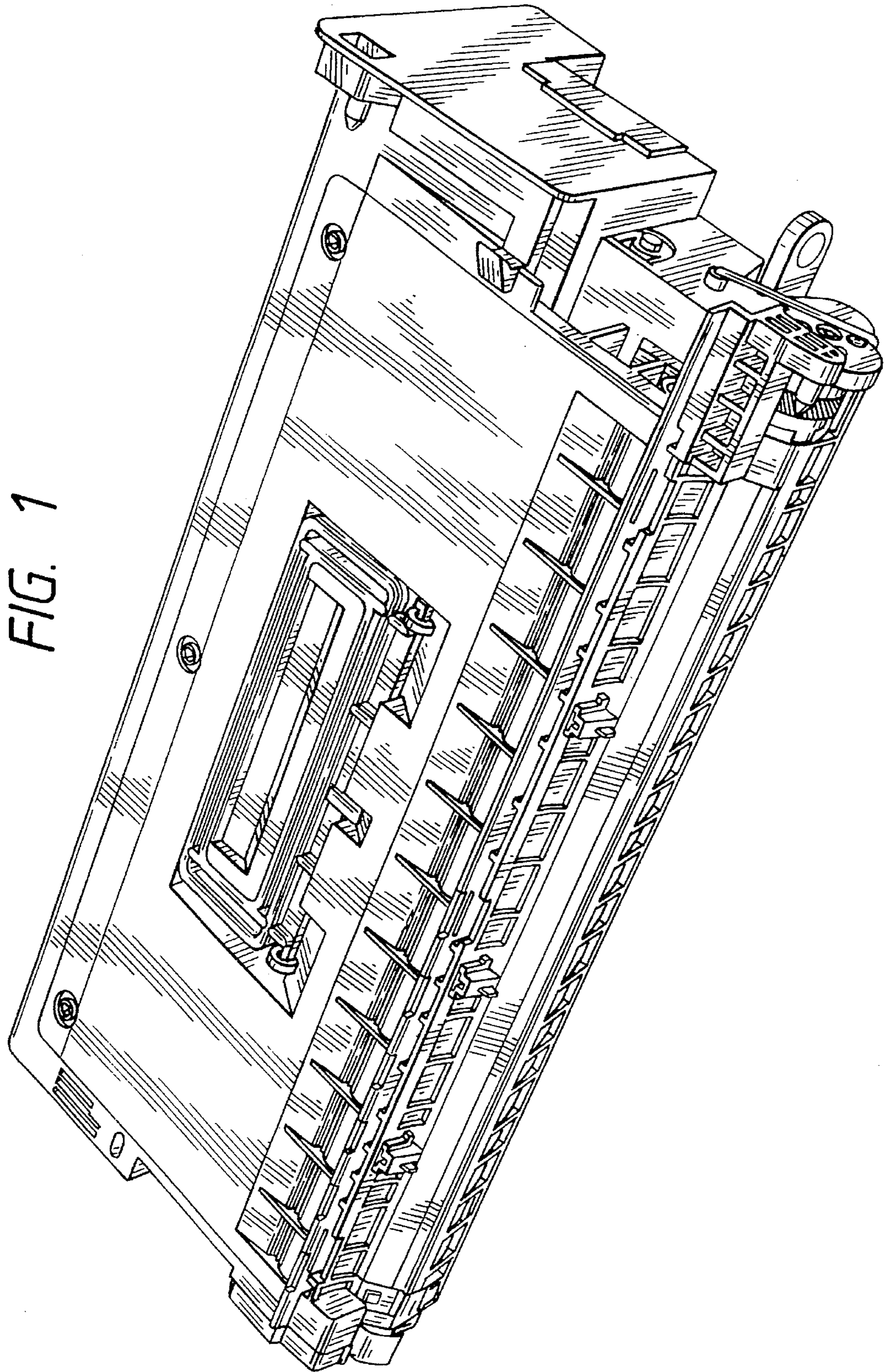


FIG. 2

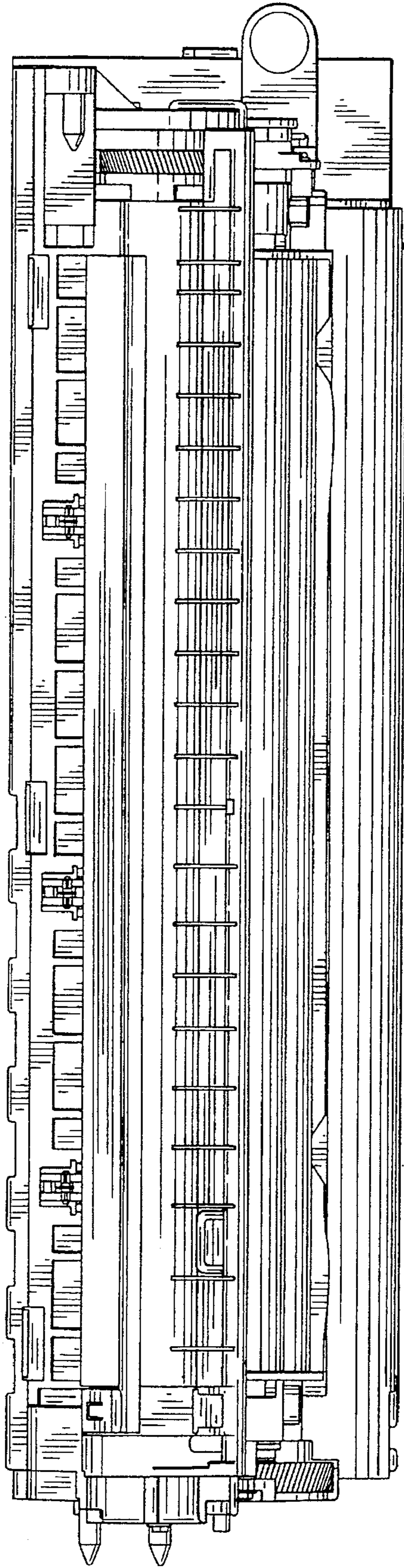


FIG. 3

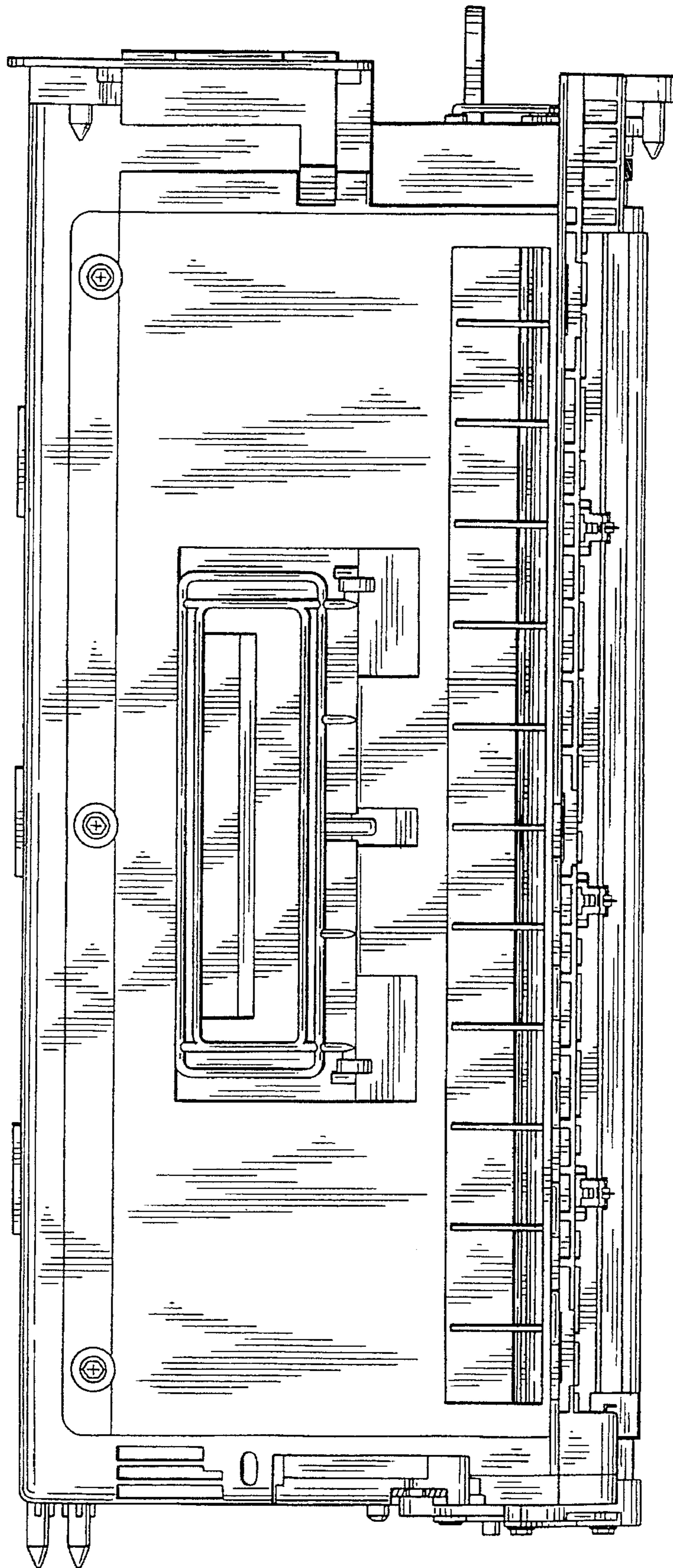


FIG. 5

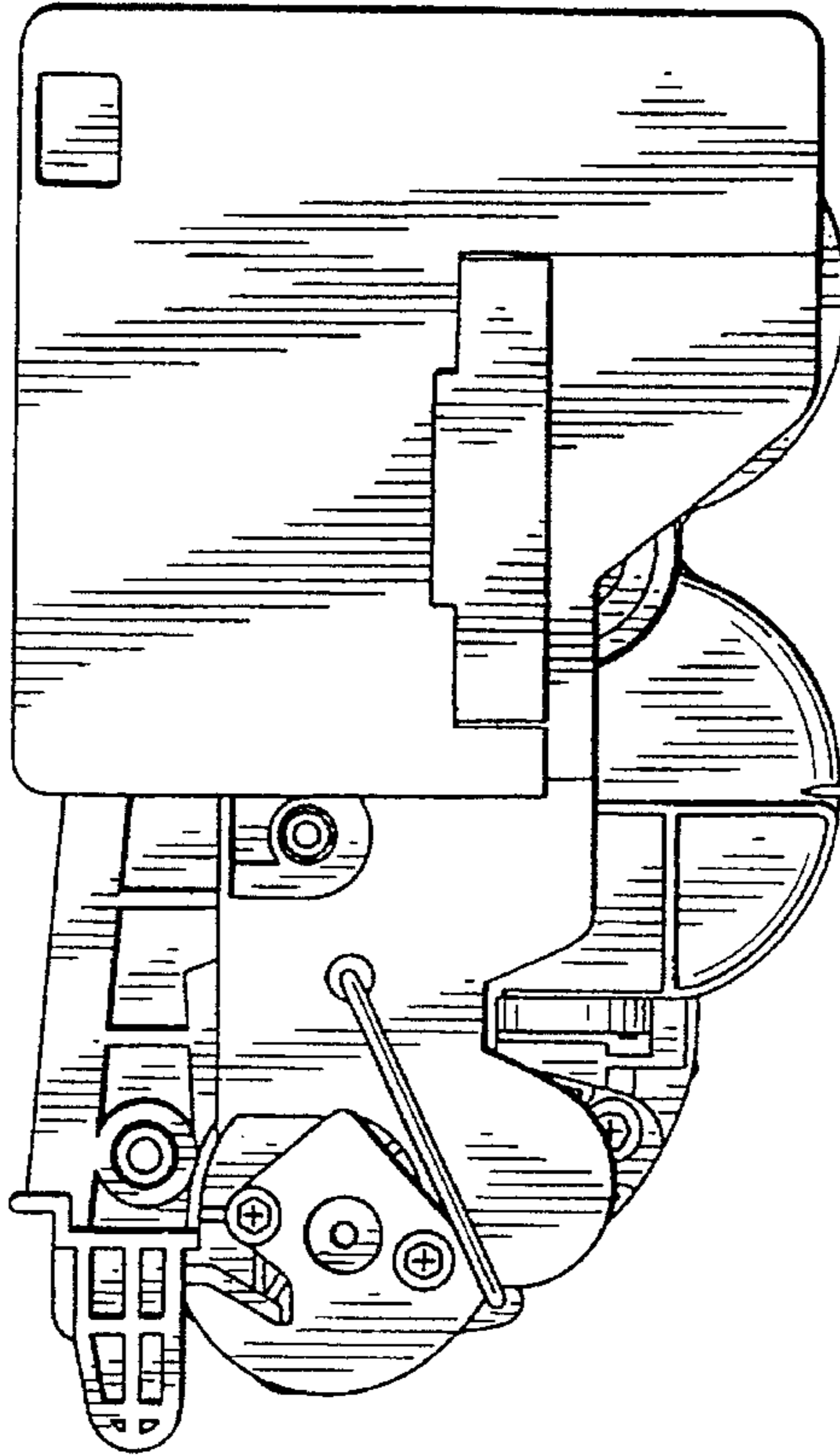


FIG. 4

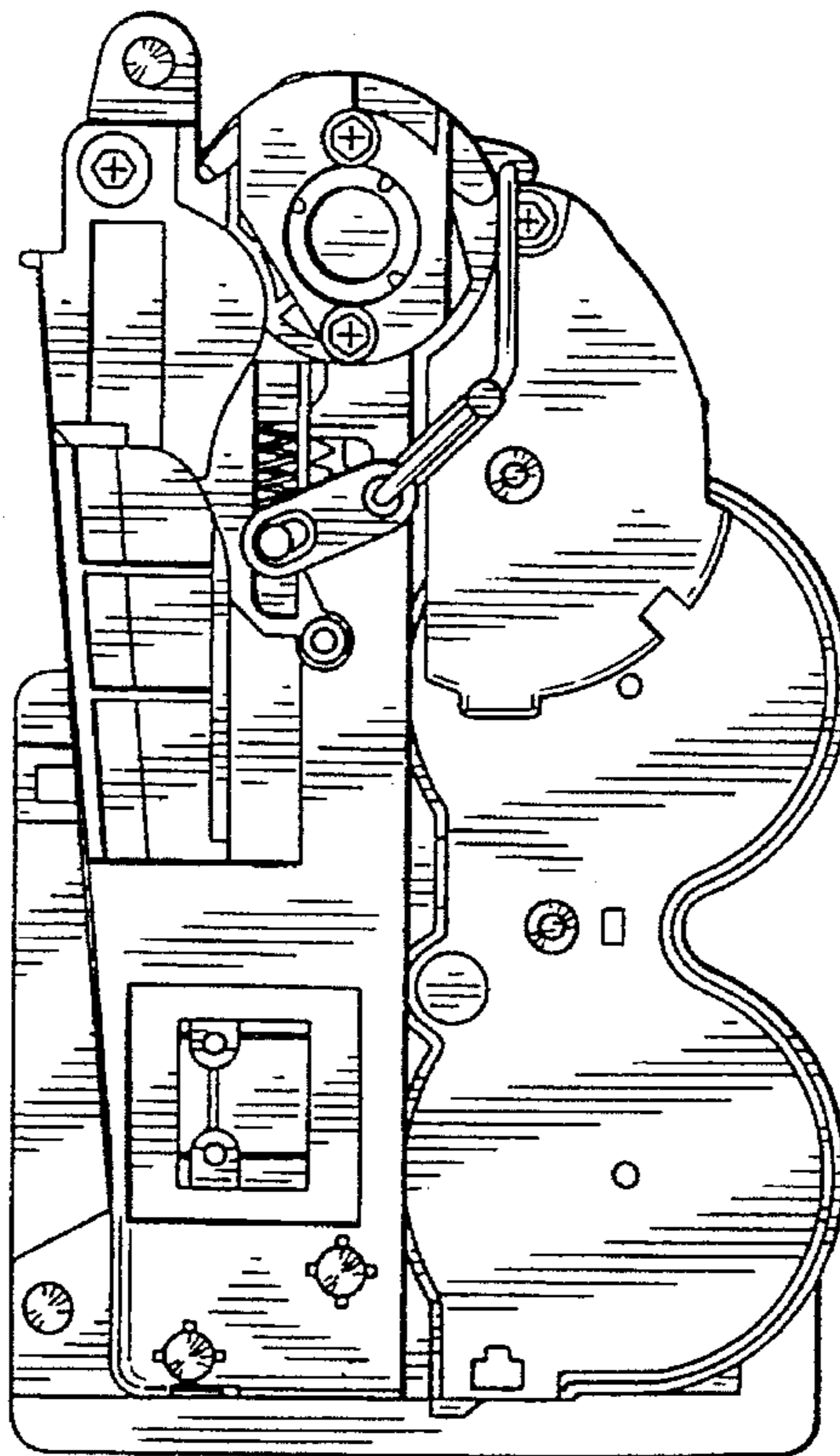


FIG. 6

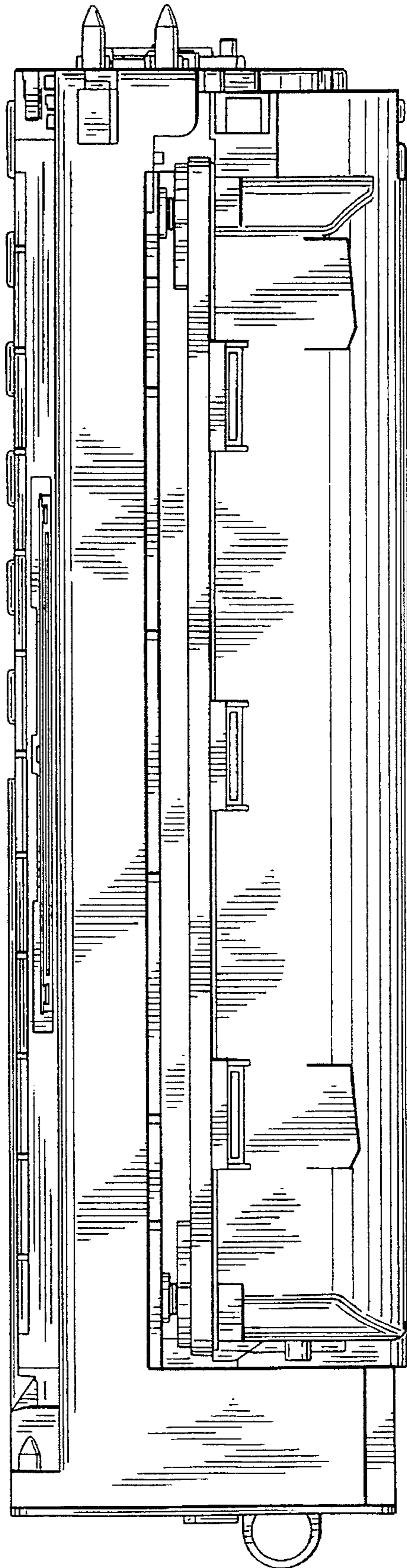


FIG. 7

