



US00D378822S

United States Patent [19]
Hupp

[11] **Patent Number: Des. 378,822**

[45] **Date of Patent: **Apr. 15, 1997**

[54] **MOLD FOR FORMING CONCRETE CIRCULAR STEPPING STONES**

5,066,213 11/1991 Ferincz 249/57

[76] Inventor: **Jack T. Hupp**, P.O. Box 1206,
Richmond, Tex. 77469

Primary Examiner—Antoine Duval Davis
Attorney, Agent, or Firm—Kenneth A. Roddy

[**] Term: **14 Years**

[57] **CLAIM**

The ornamental design for a mold for forming concrete circular stepping stones, as shown and described.

[21] Appl. No.: **51,592**

DESCRIPTION

[22] Filed: **Mar. 14, 1996**

[52] U.S. Cl. **D15/136**

FIG. 1 is a top perspective view of a mold for forming concrete circular stepping stones showing my new design from the top and one side;

[58] Field of Search D7/409, 672, 677;
D15/135-137; 249/2, 16, 57, 117-119,
127, 128, 138, 155, 189, 205, DIG. 1; 264/33,
34, 250, DIG. 67; 425/458

FIG. 2 is a bottom perspective view thereof showing my new design from the bottom and the side opposite that shown in FIG. 1; and,

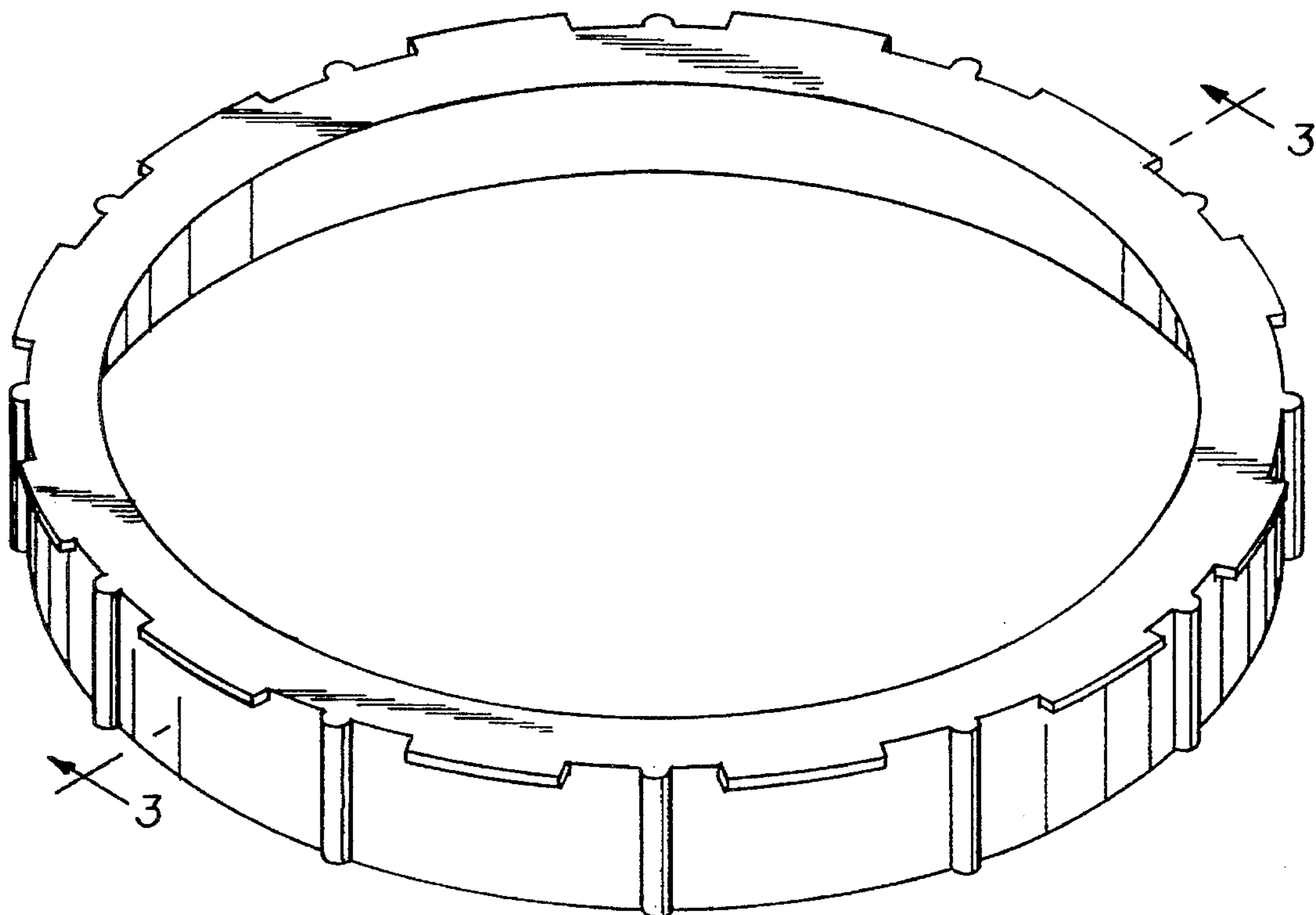
[56] **References Cited**

FIG. 3 is a cross section thereof taken along line 3-3 of FIG. 1.

U.S. PATENT DOCUMENTS

4,693,446 9/1987 Orlosky 249/155 X

1 Claim, 1 Drawing Sheet



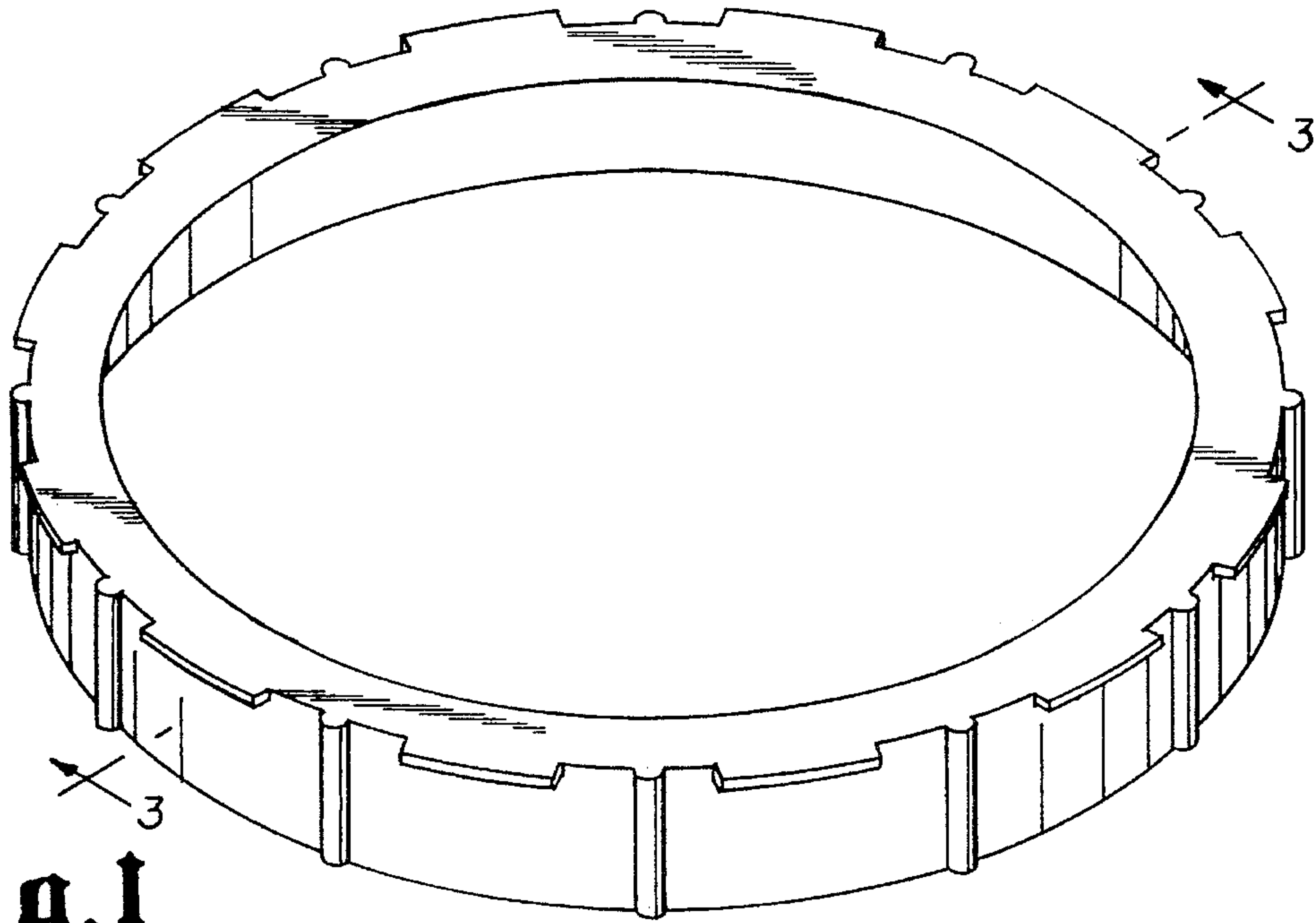


fig.1

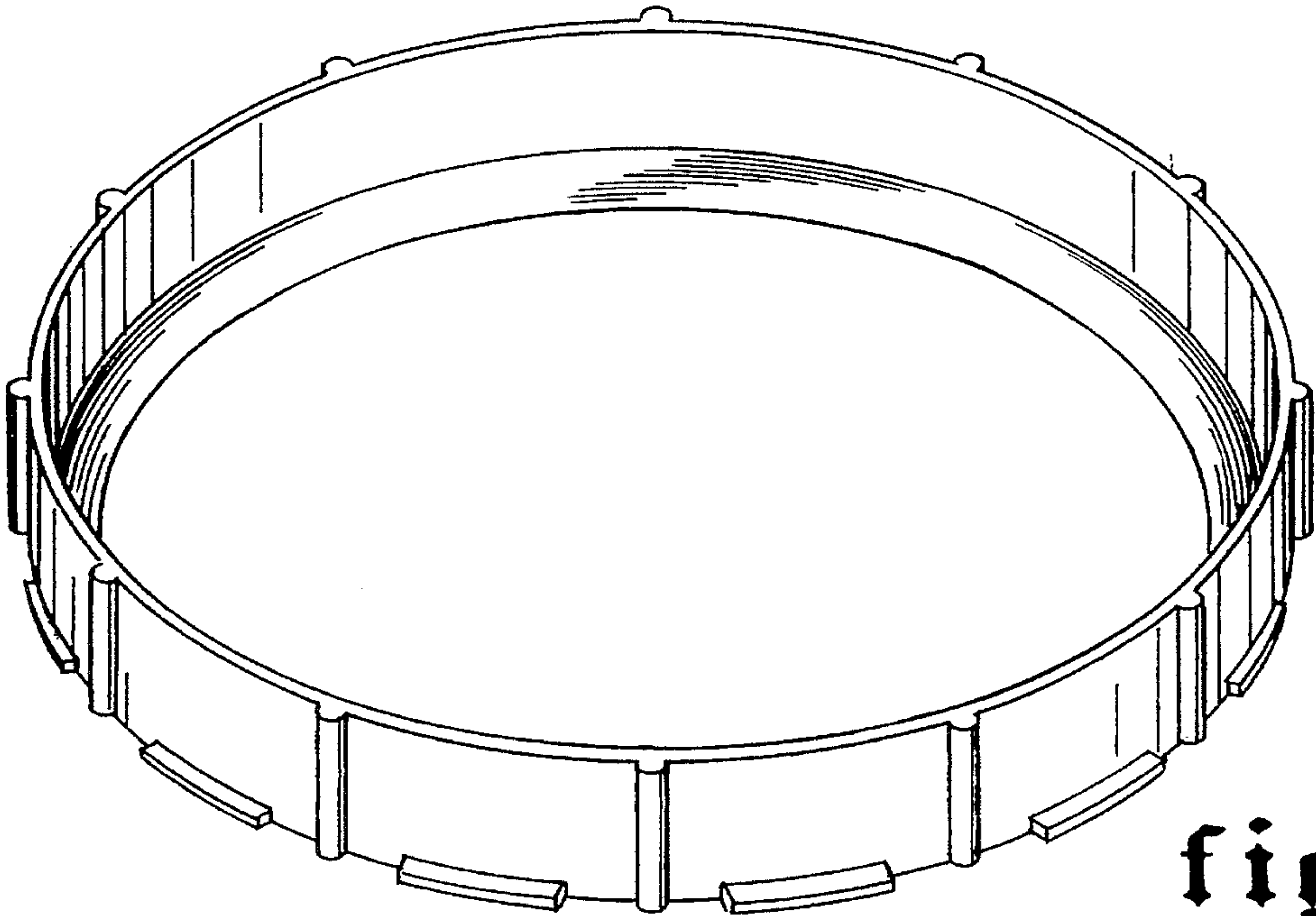


fig.2

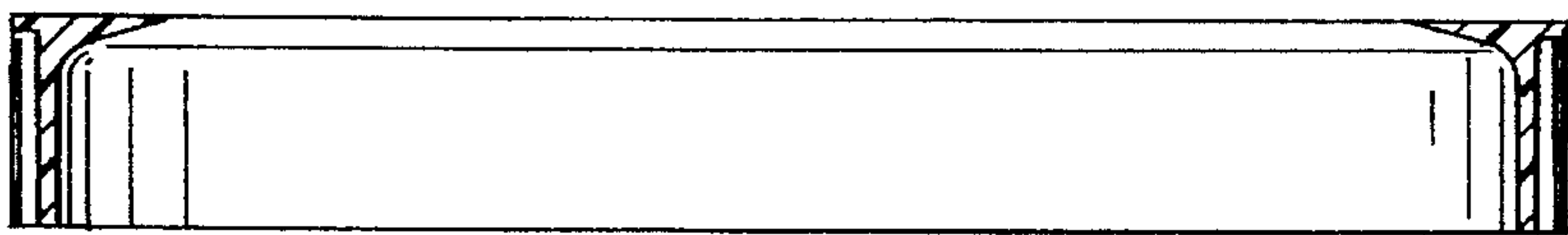


fig.3