



US00D378821S

# United States Patent [19]

Westcott

[11] Patent Number: **Des. 378,821**

[45] Date of Patent: **\*\*Apr. 15, 1997**

[54] **FREEZER SHELF**

4,759,451 7/1988 Apps ..... 211/126  
5,050,748 9/1991 Taub ..... 211/126

[75] Inventor: **Michael Westcott**, Cohasset, Mass.

*Primary Examiner*—Sandra L. Morris  
*Attorney, Agent, or Firm*—Haugen and Nikolai, P.A.

[73] Assignee: **Emplast, Inc.**, Shakopee, Minn.

[\*\*] Term: **14 Years**

## [57] CLAIM

[21] Appl. No.: **54,234**

The ornamental design for the “freezer shelf”, as shown and described.

[22] Filed: **May 10, 1996**

## DESCRIPTION

[52] U.S. Cl. .... **D15/89; D6/511; D19/92**

[58] Field of Search ..... D6/510, 511, 567,  
D6/573, 574; D15/79, 81, 85, 89; D19/92;  
211/49.1, 88, 90, 126, 153; 312/116, 117,  
236, 401, 404, 406, 407, 407.1, 408

FIG. 1 is an end perspective view of a freezer shelf, showing my new design, the opposite side being a mirror image thereof;

FIG. 2 is an end elevational view thereof, the opposite side being a mirror image thereof;

FIG. 3 is a side elevational view thereof, the opposite side being a mirror image thereof;

FIG. 4 is a top plan view of the freezer shelf; and,

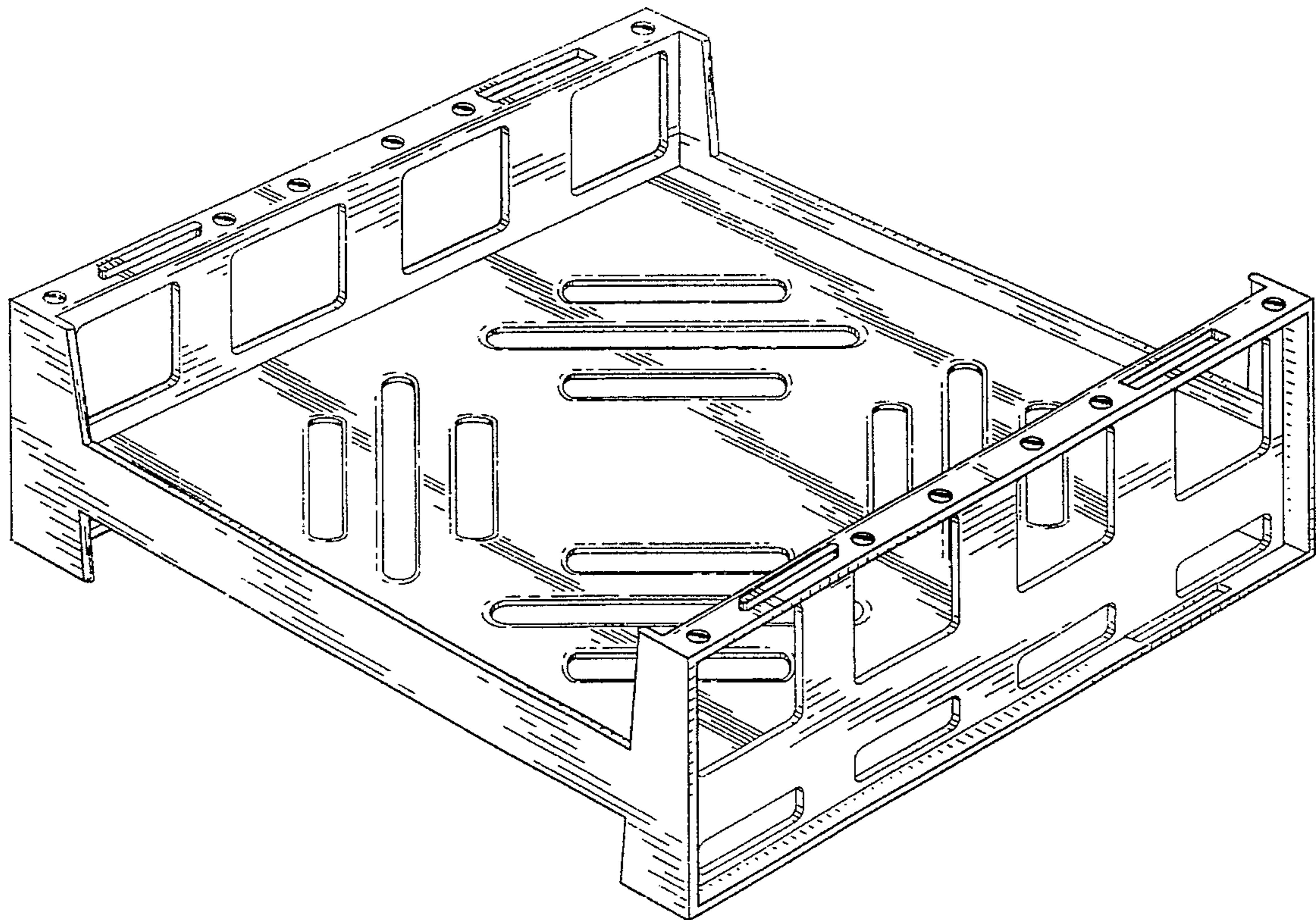
FIG. 5 is a bottom plan view of the freezer shelf.

## [56] References Cited

### U.S. PATENT DOCUMENTS

D. 241,777 10/1976 Allman et al. .... D15/89  
D. 309,571 7/1990 Lehman ..... D15/89  
D. 319,473 8/1991 Aaldenberg et al. .... D19/92  
3,675,815 7/1972 Rehrig ..... 211/126

**1 Claim, 4 Drawing Sheets**



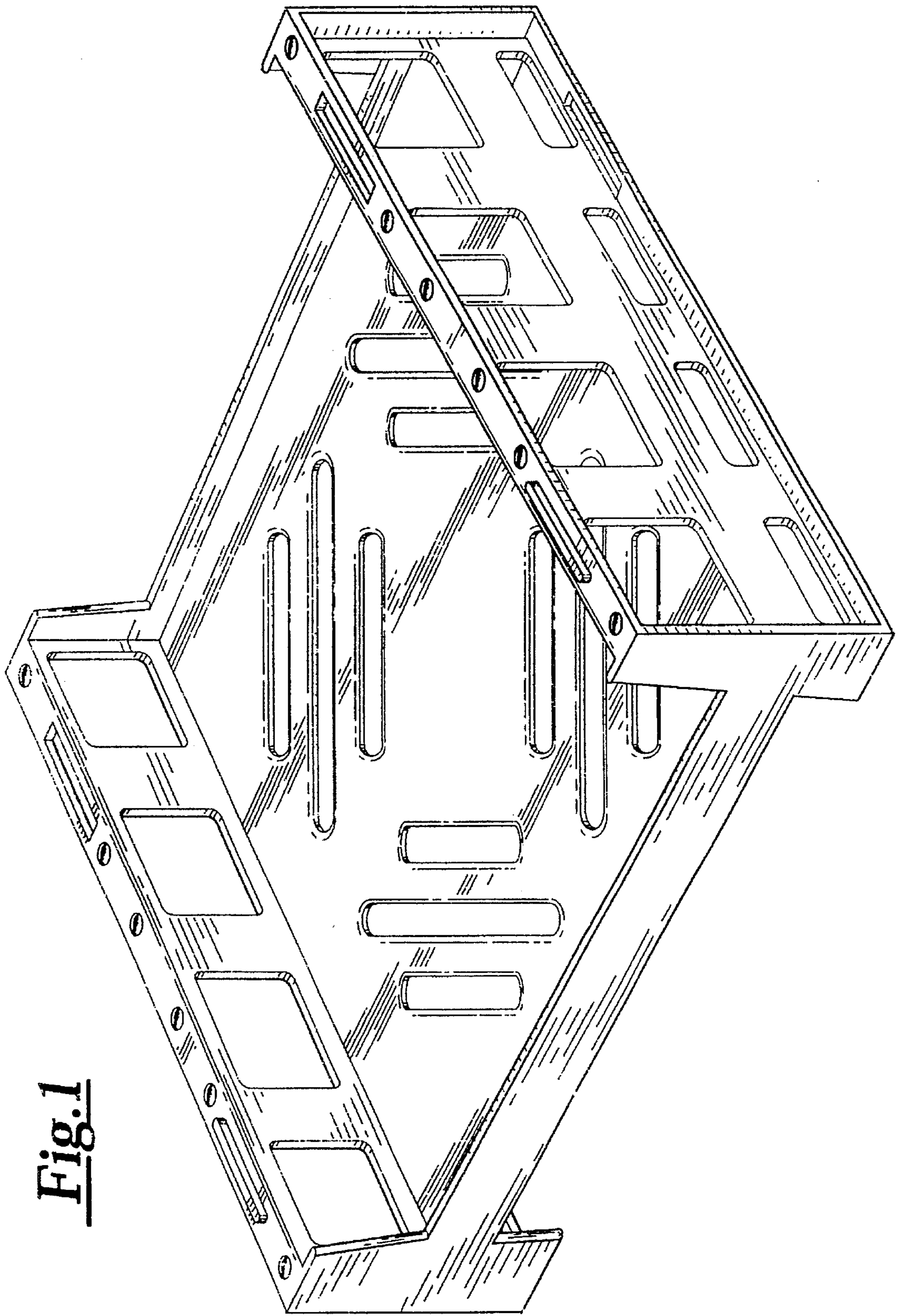


Fig. 1

Fig. 2

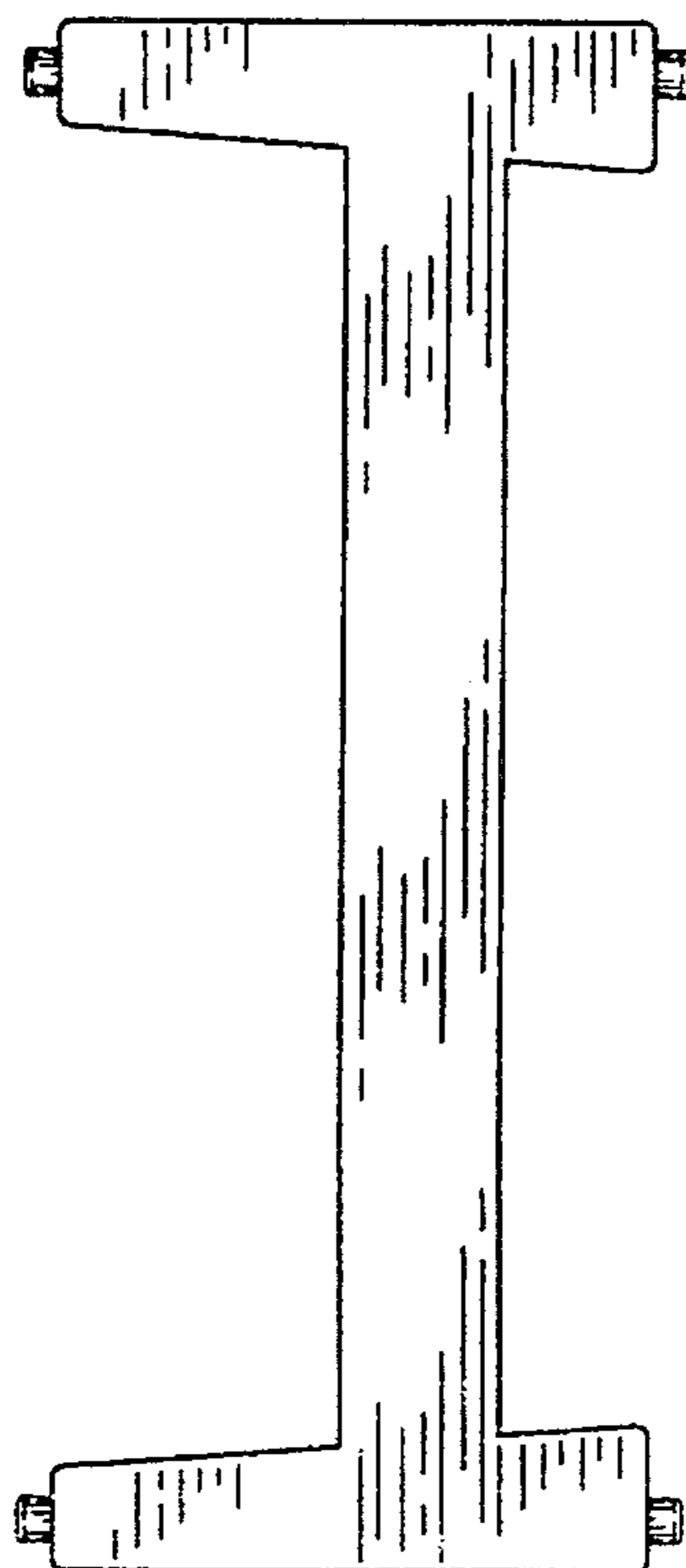
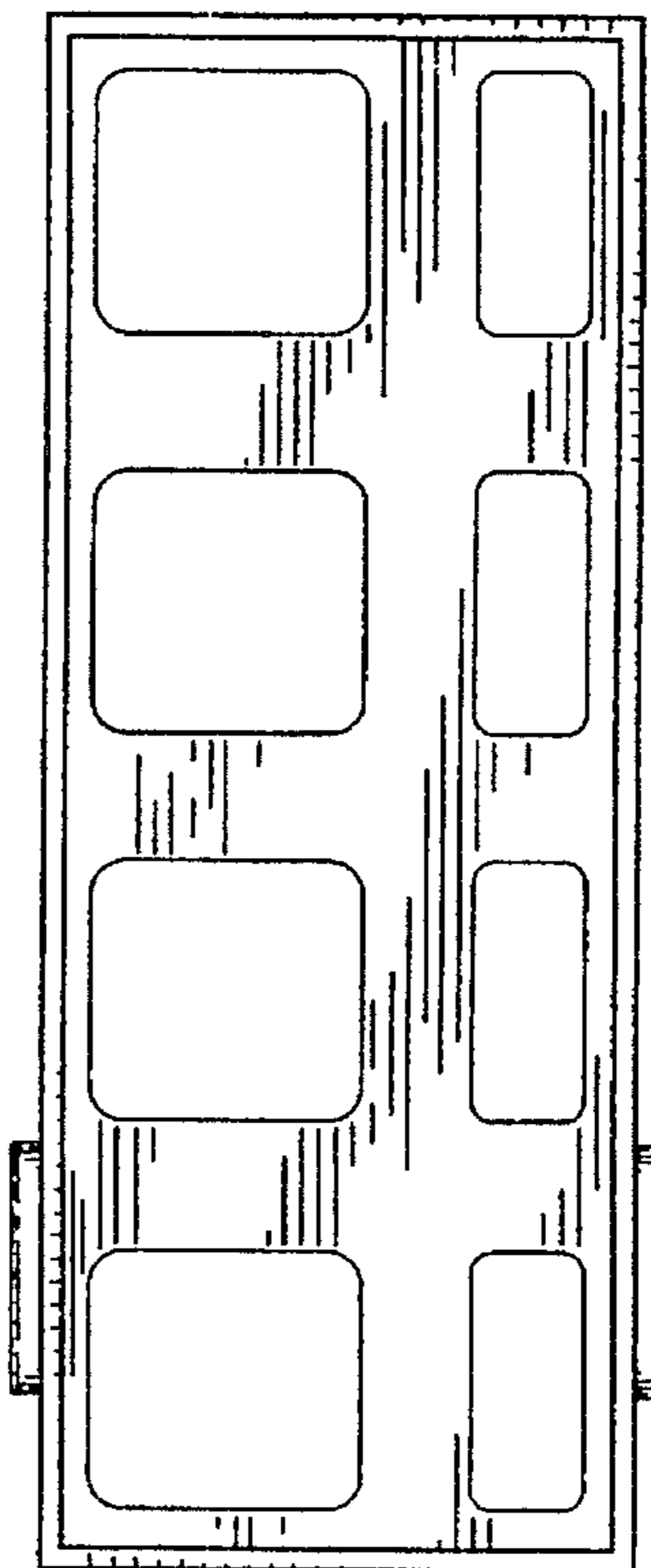
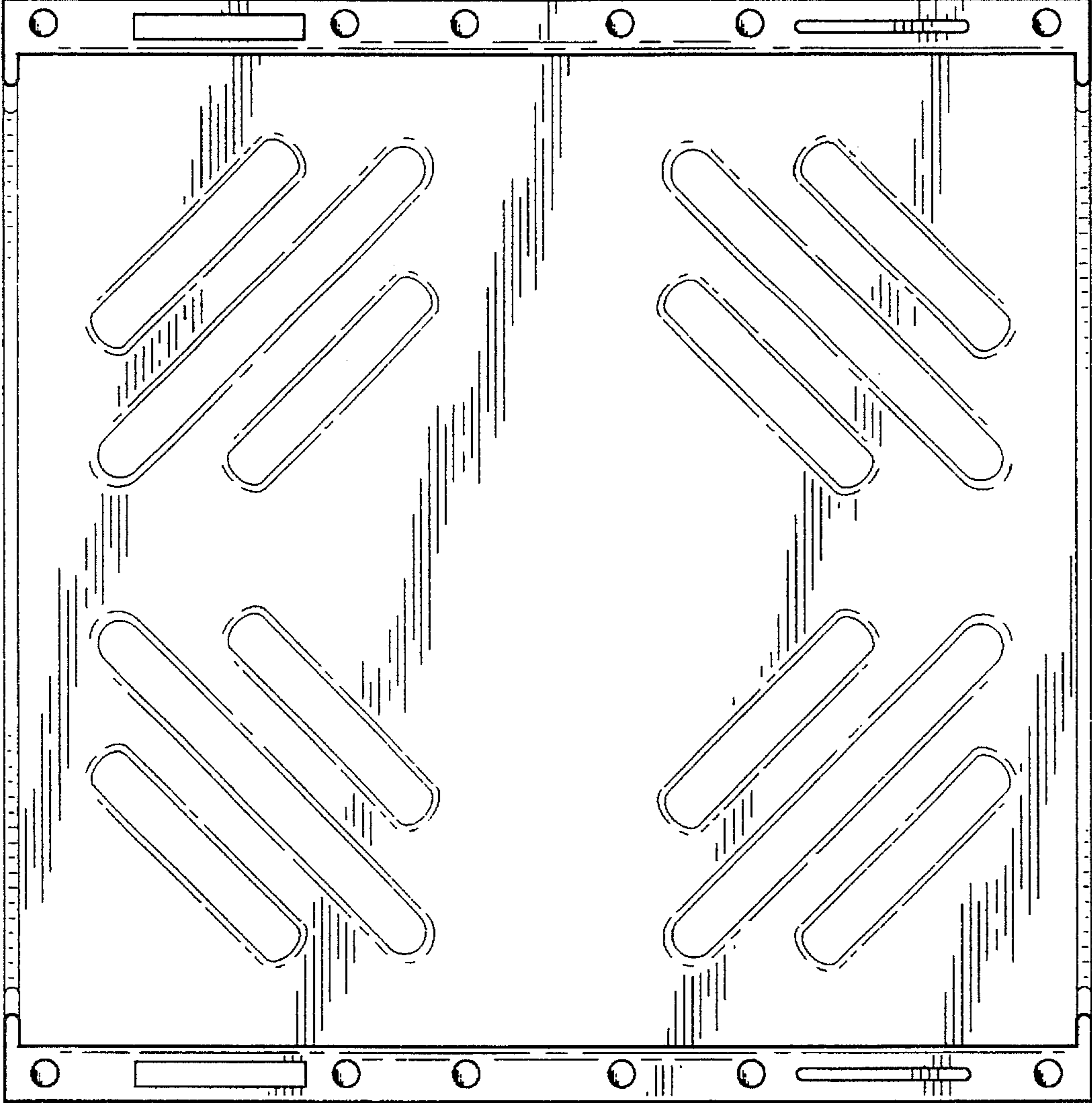


Fig. 3





**Fig. 4**

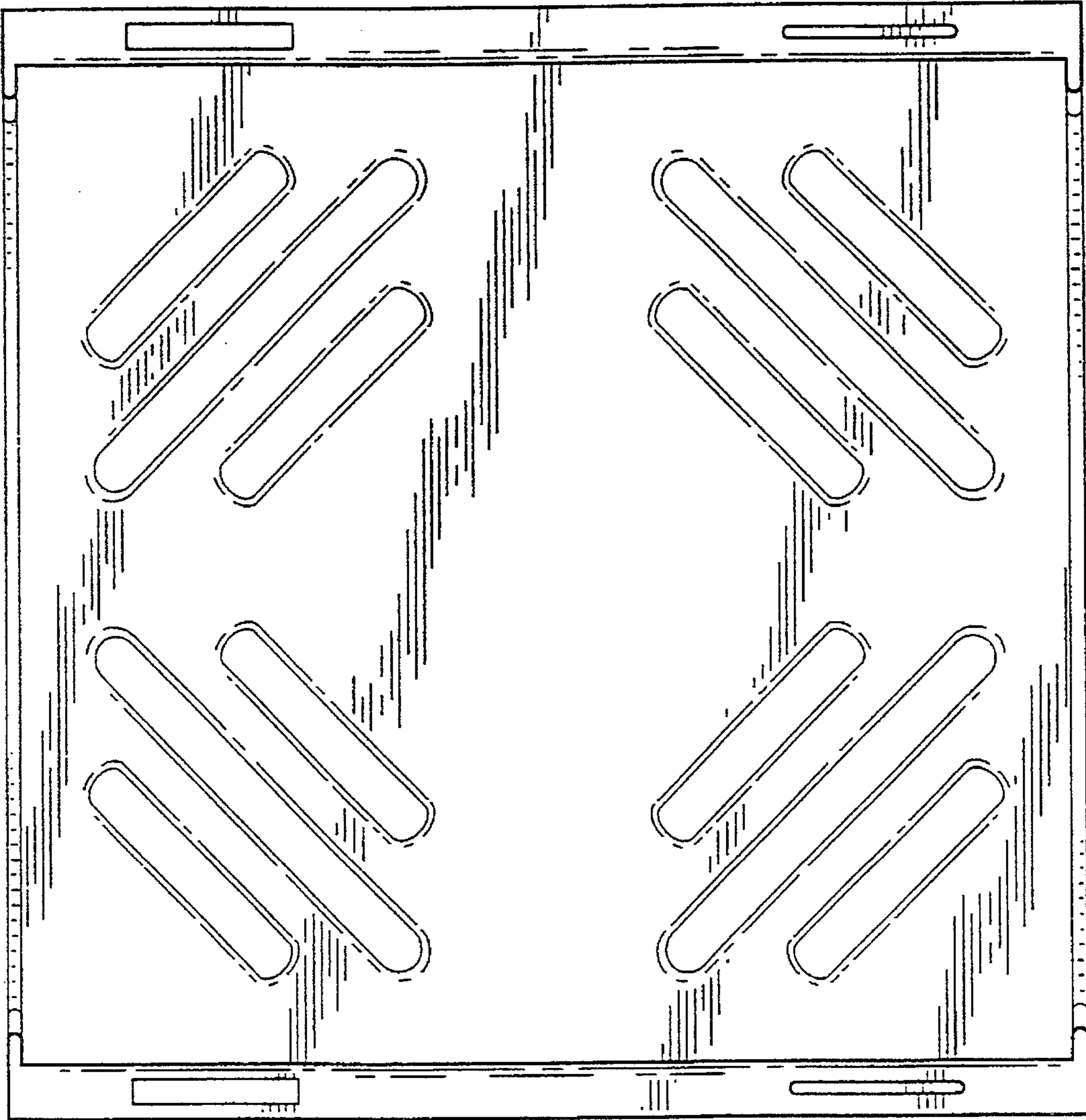


Fig. 5