



US00D378819S

United States Patent [19]
Yuen

[11] **Patent Number: Des. 378,819**

[45] **Date of Patent: **Apr. 15, 1997**

[54] **COMBINED RADIO, CLOCK AND FLASHLIGHT**

[75] **Inventor: Se Kit Yuen, Kowloon, Hong Kong**

[73] **Assignee: John Manufacturing Limited, Kowloon, Hong Kong**

[**] **Term: 14 Years**

[21] **Appl. No.: 47,446**

[22] **Filed: Dec. 4, 1995**

Related U.S. Application Data

[62] **Division of Ser. No. 27,549, Aug. 24, 1994.**

[30] **Foreign Application Priority Data**

Jun. 2, 1994 [GB] United Kingdom 2039449
[52] **U.S. Cl.** **D14/168; D26/38; D10/2**
[58] **Field of Search** **D10/1, 2; D14/168-170, D14/188-189, 192-198; D26/38, 48, 50; 455/344, 347, 350, 351**

[56] **References Cited**

U.S. PATENT DOCUMENTS

D. 296,243 6/1988 Ohashi D26/38

D. 302,013 7/1989 Yuen D26/38 X
D. 306,211 2/1990 Maruyama D26/38
D. 321,262 10/1991 Yuen D26/38
D. 323,166 1/1992 Hino et al. D14/195
D. 343,617 1/1994 Kawase et al. D10/2 X

OTHER PUBLICATIONS

Hong Kong Enterprise Oct. 1990, p. 234, HE-851 All-Weather emergency flashlight Radio.

Primary Examiner—Sandra L. Morris
Assistant Examiner—Nanda Bondade
Attorney, Agent, or Firm—Darby & Darby

[57] **CLAIM**

The ornamental design for a combined radio, clock and flashlight, as shown and described.

DESCRIPTION

FIG. 1 is a front elevational view of a combined radio, clock and flashlight, showing my new design; FIG. 2 is a rear elevational view thereof; FIG. 3 is a top plan view thereof; FIG. 4 is a bottom plan view thereof; FIG. 5 is a right side elevational view thereof; FIG. 6 is a left side elevational view thereof; and, FIG. 7 is a perspective view thereof.

1 Claim, 4 Drawing Sheets

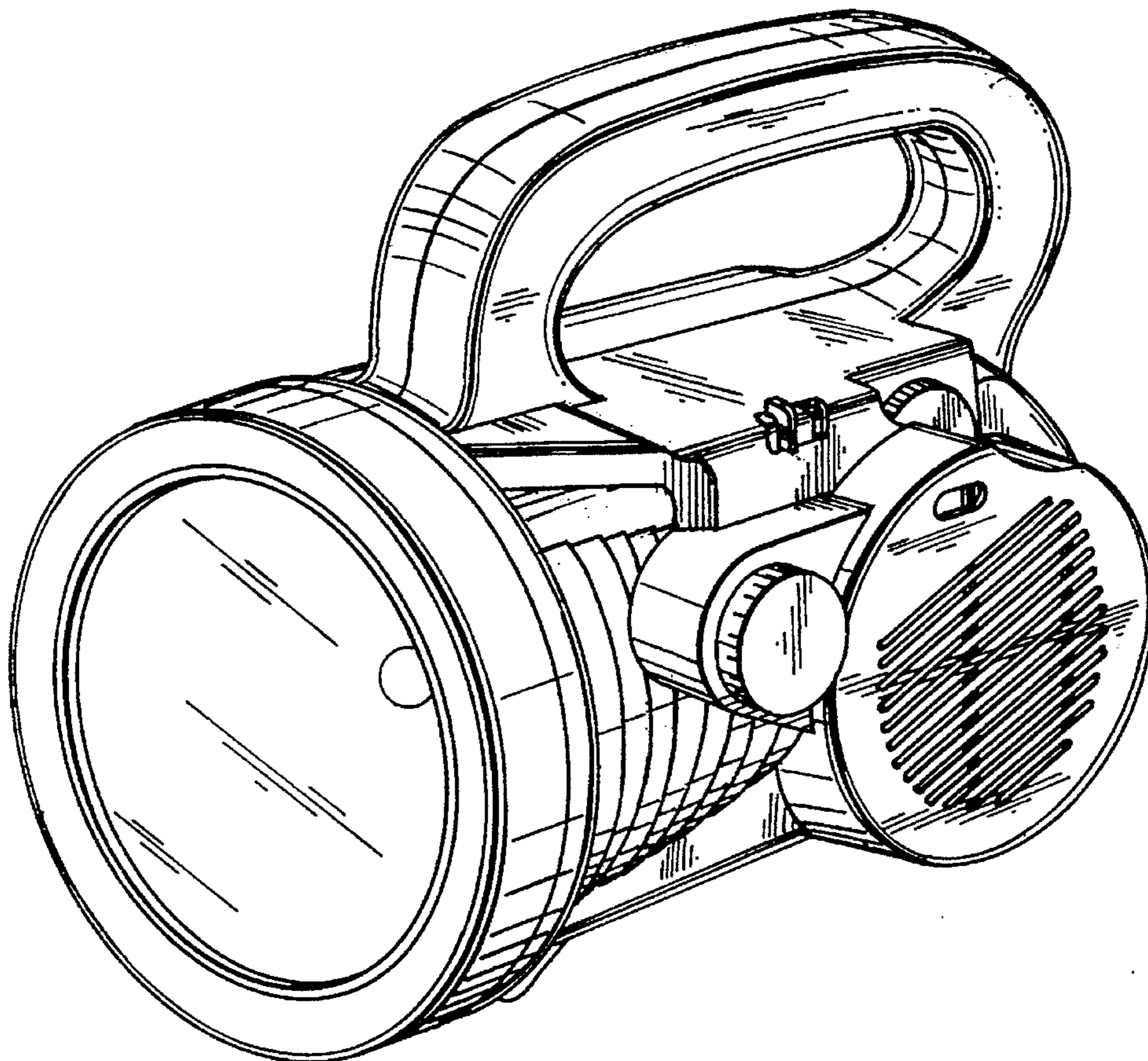


FIG. 1

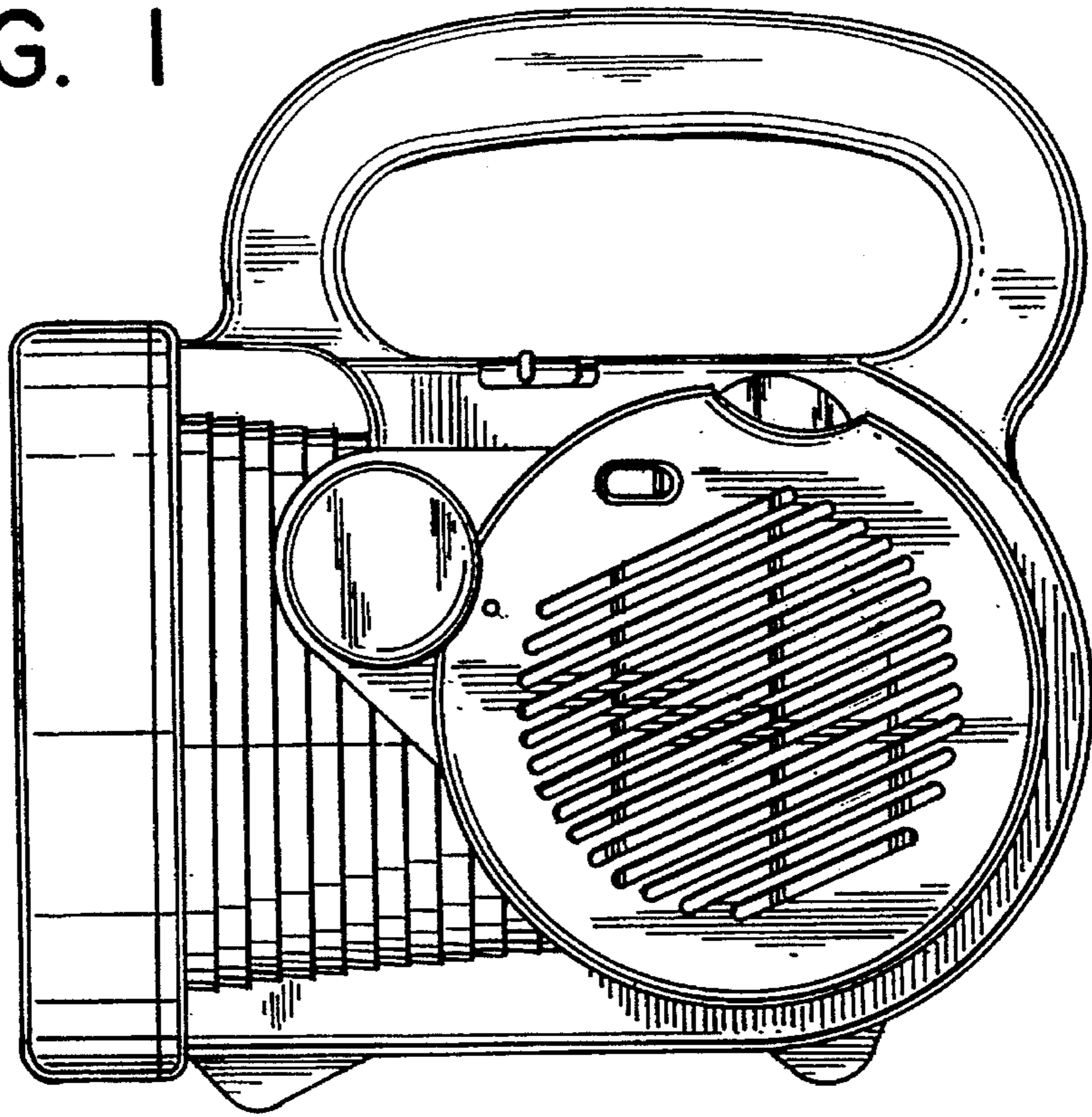


FIG. 2

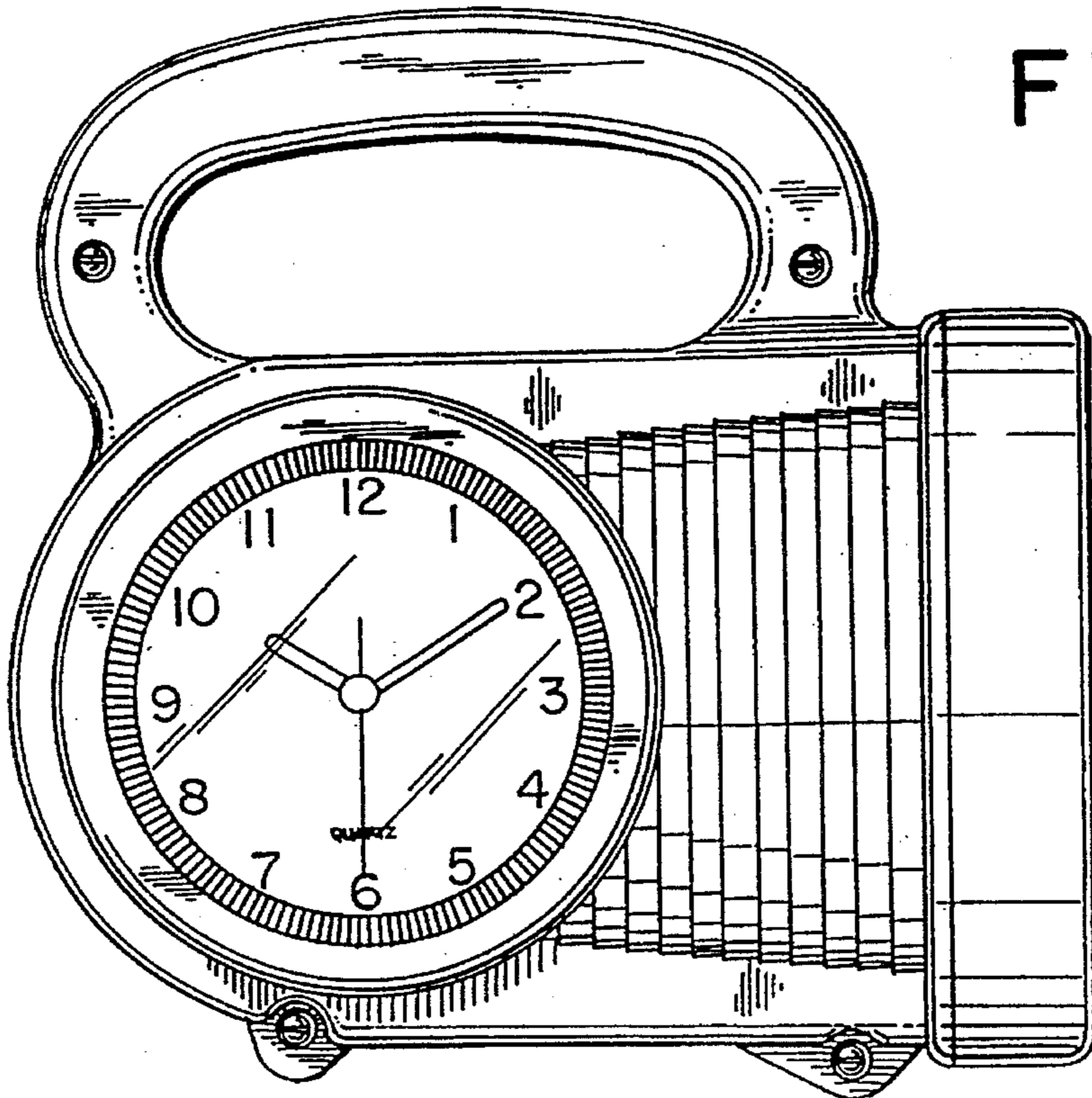


FIG. 3

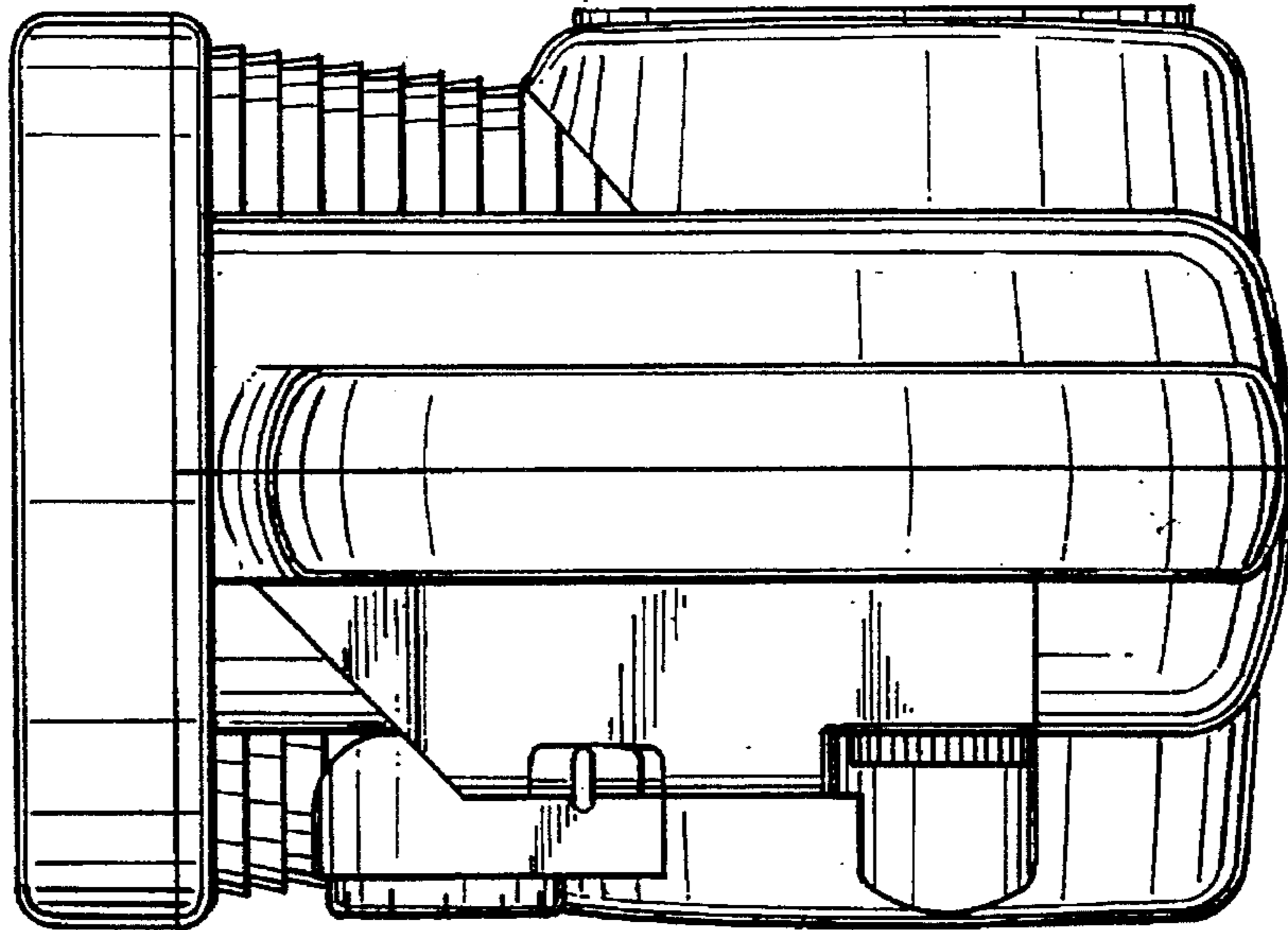
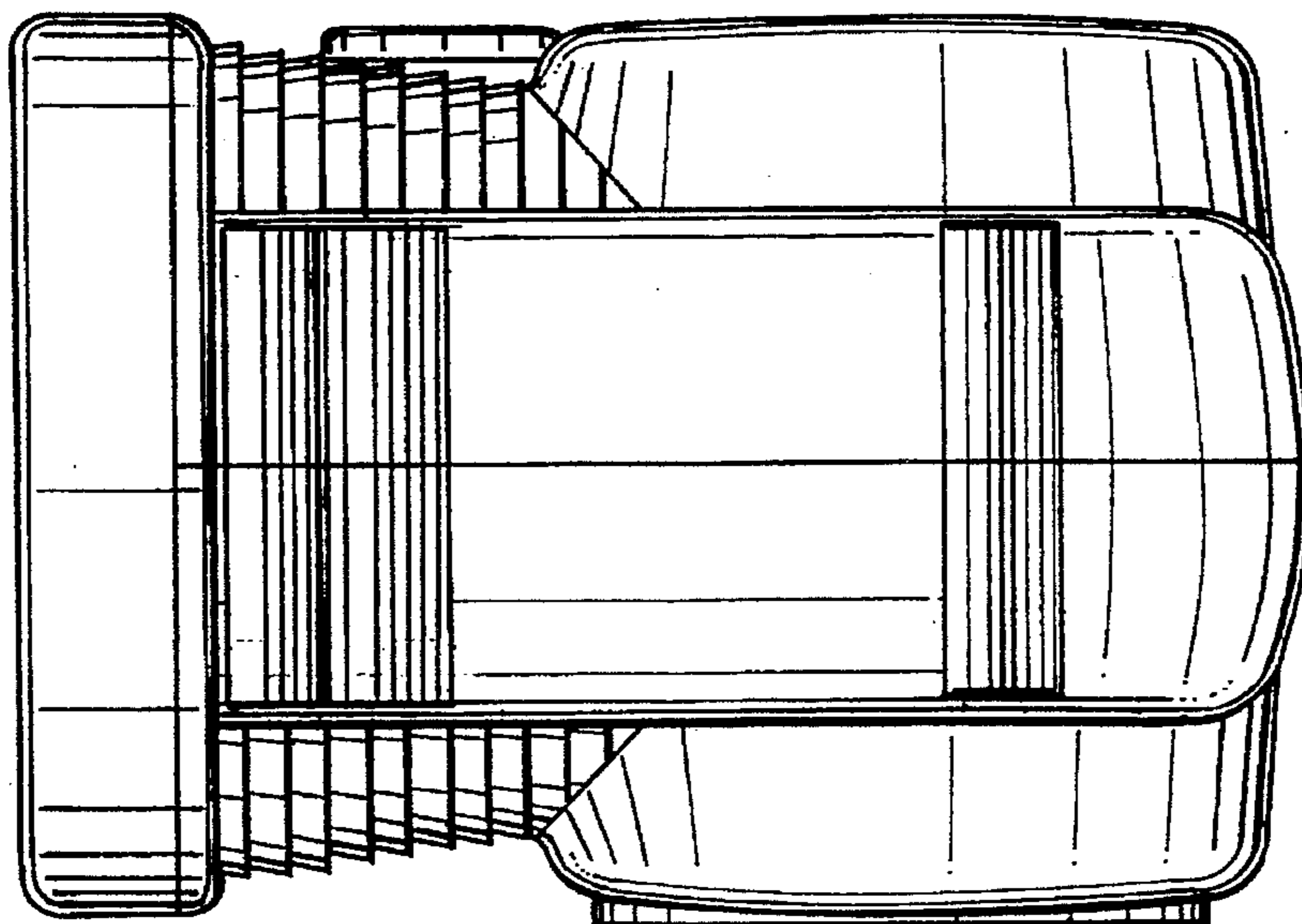


FIG. 4



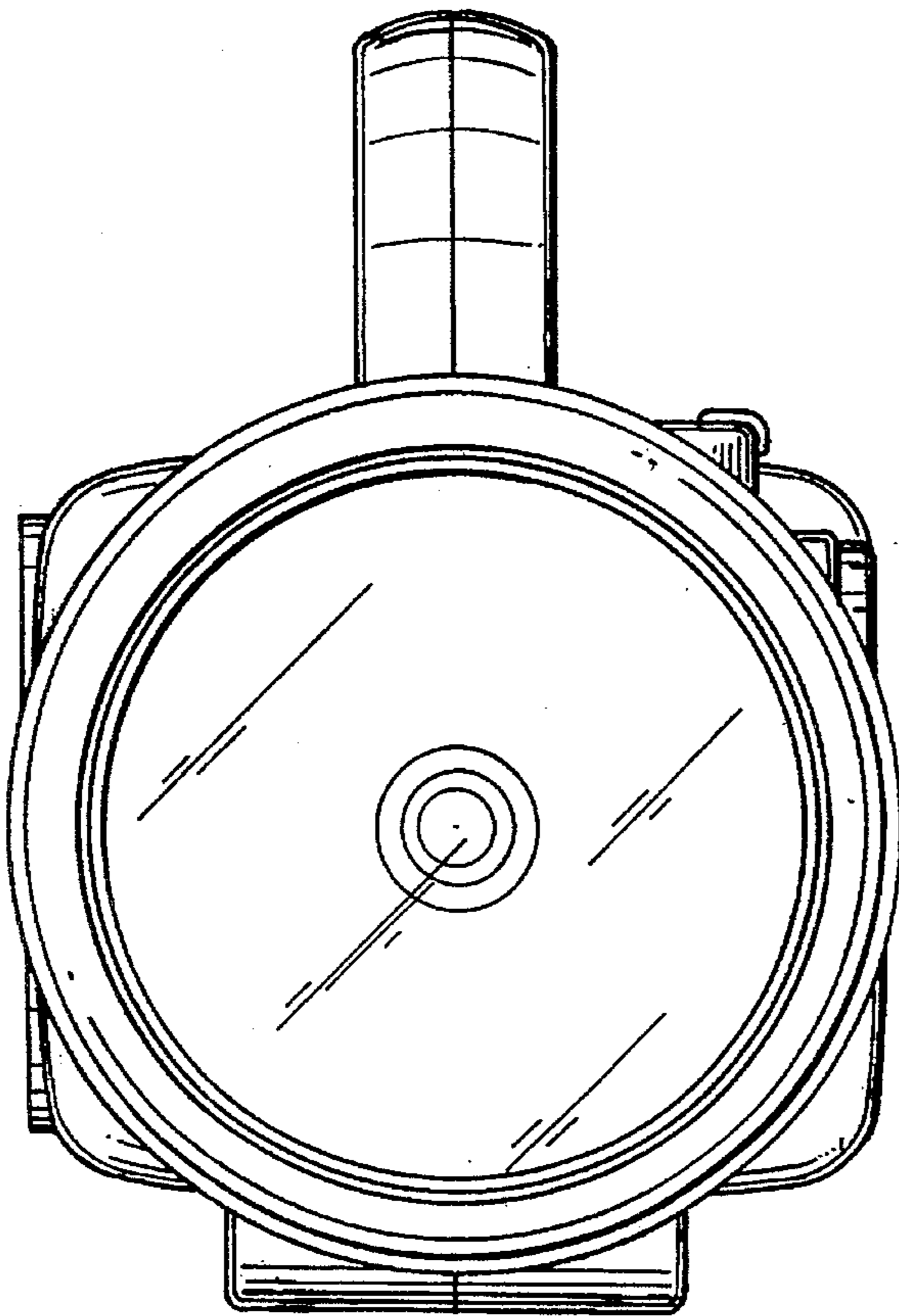


FIG. 5

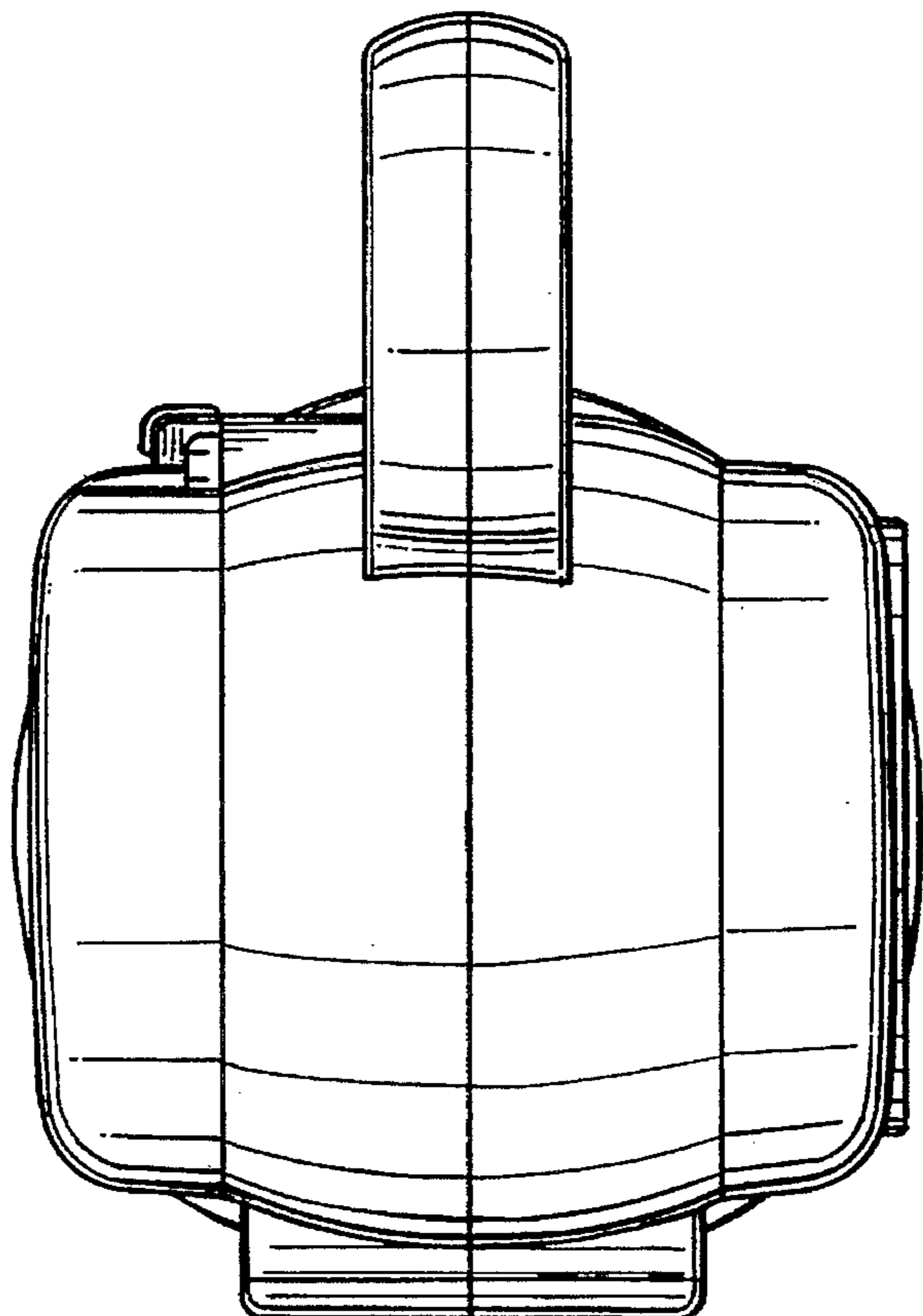


FIG. 6

FIG. 7

