



US00D378818S

United States Patent [19] Yuen

[11] Patent Number: **Des. 378,818**

[45] Date of Patent: ****Apr. 15, 1997**

[54] **COMBINED RADIO AND FLASHLIGHT**

D. 323,166 1/1992 Hino et al. D14/195

[75] Inventor: **Se Kit Yuen**, Kowloon, Hong Kong

OTHER PUBLICATIONS

[73] Assignee: **John Manufacturing Limited**,
Kowloon, Hong Kong

Hong Kong Enterprise Oct. 1990, p. 23, HE-851 All-
-Weather emergency flashlight Radio.

[**] Term: **14 Years**

Primary Examiner—Sandra L. Morris
Assistant Examiner—Nanda Bondade
Attorney, Agent, or Firm—Darby & Darby

[21] Appl. No.: **27,549**

[57] CLAIM

[22] Filed: **Aug. 24, 1994**

The ornamental design for a combined radio and flashlight,
as shown and described.

[30] Foreign Application Priority Data

DESCRIPTION

Jun. 2, 1994 [GB] United Kingdom 2039449

[52] U.S. Cl. **D14/168; D26/38**

[58] Field of Search D14/168, 188,
D14/193-198; D26/38, 48, 50; 455/344,
347, 350, 351

FIG. 1 is a front elevational view of a combined radio and
flashlight, showing my new design;
FIG. 2 is a rear elevational view thereof;
FIG. 3 is a top plan view thereof;
FIG. 4 is a bottom plan view thereof;
FIG. 5 is a right side elevational view thereof;
FIG. 6 is a left side elevational view thereof; and,
FIG. 7 is a perspective view thereof.

[56] References Cited

U.S. PATENT DOCUMENTS

D. 296,243 6/1988 Ohashi D26/38
D. 306,211 2/1990 Murayama D26/38
D. 321,262 10/1991 Yuen D26/38

1 Claim, 4 Drawing Sheets

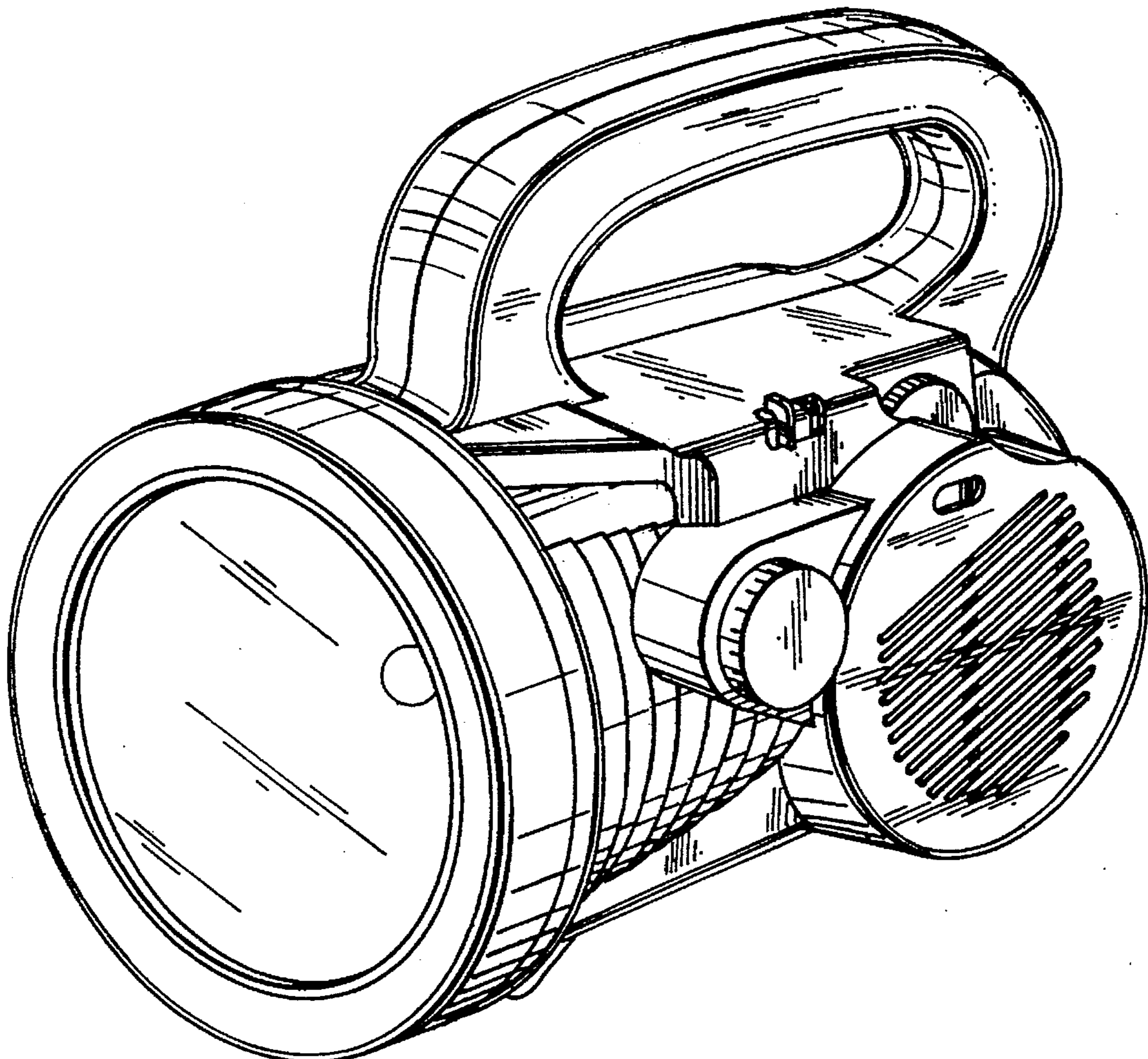


FIG. 1

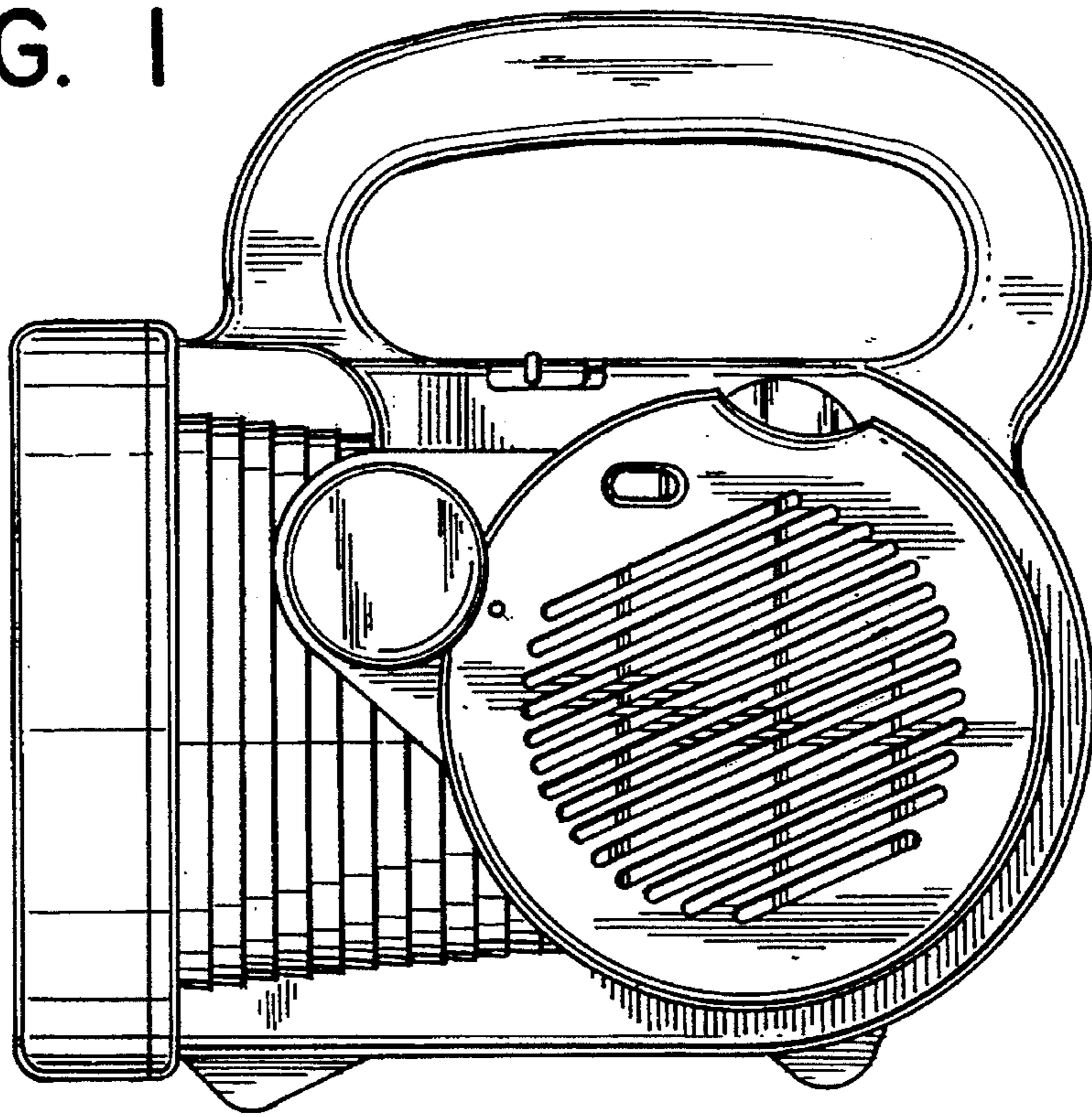


FIG. 2

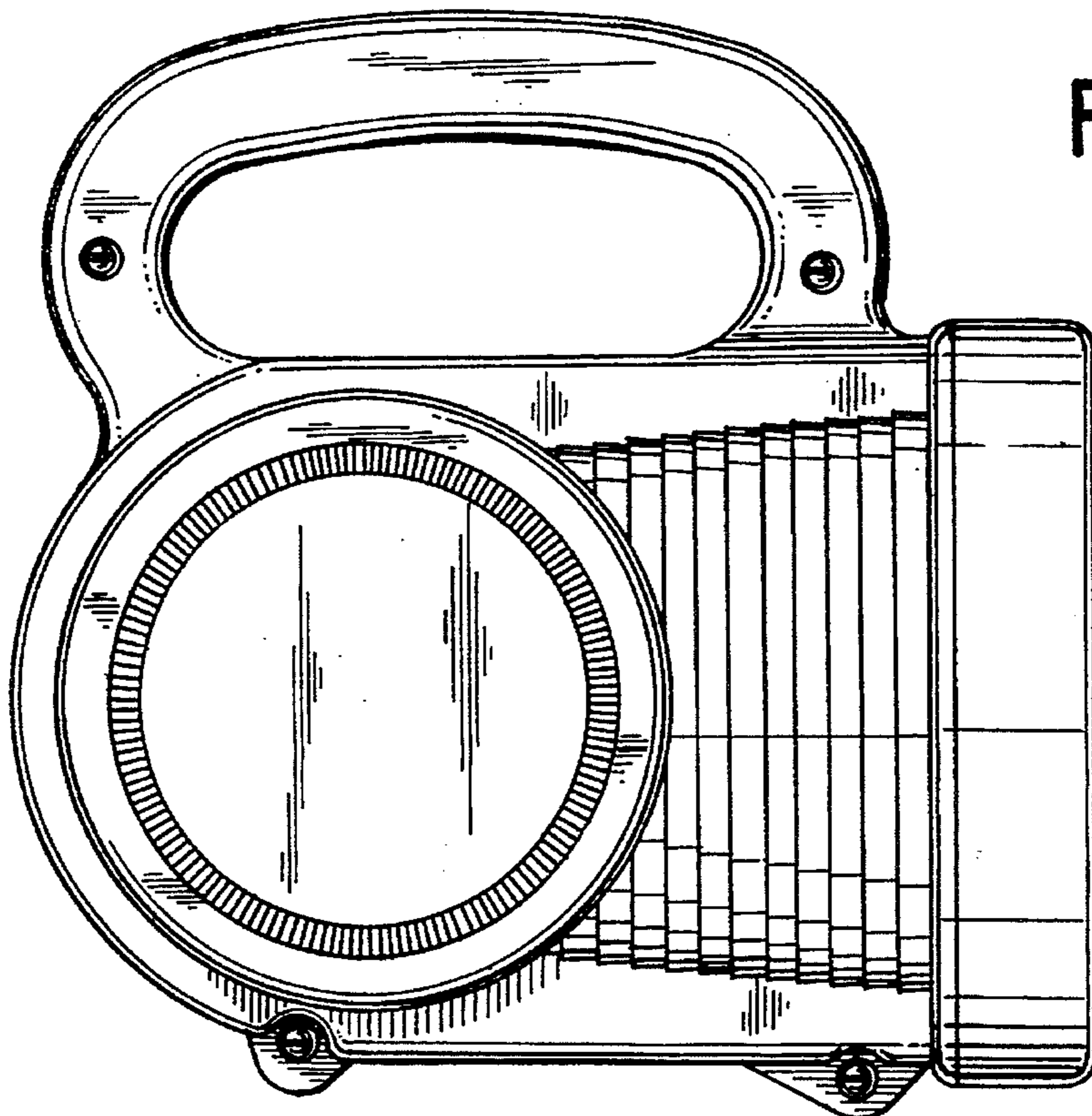


FIG. 3

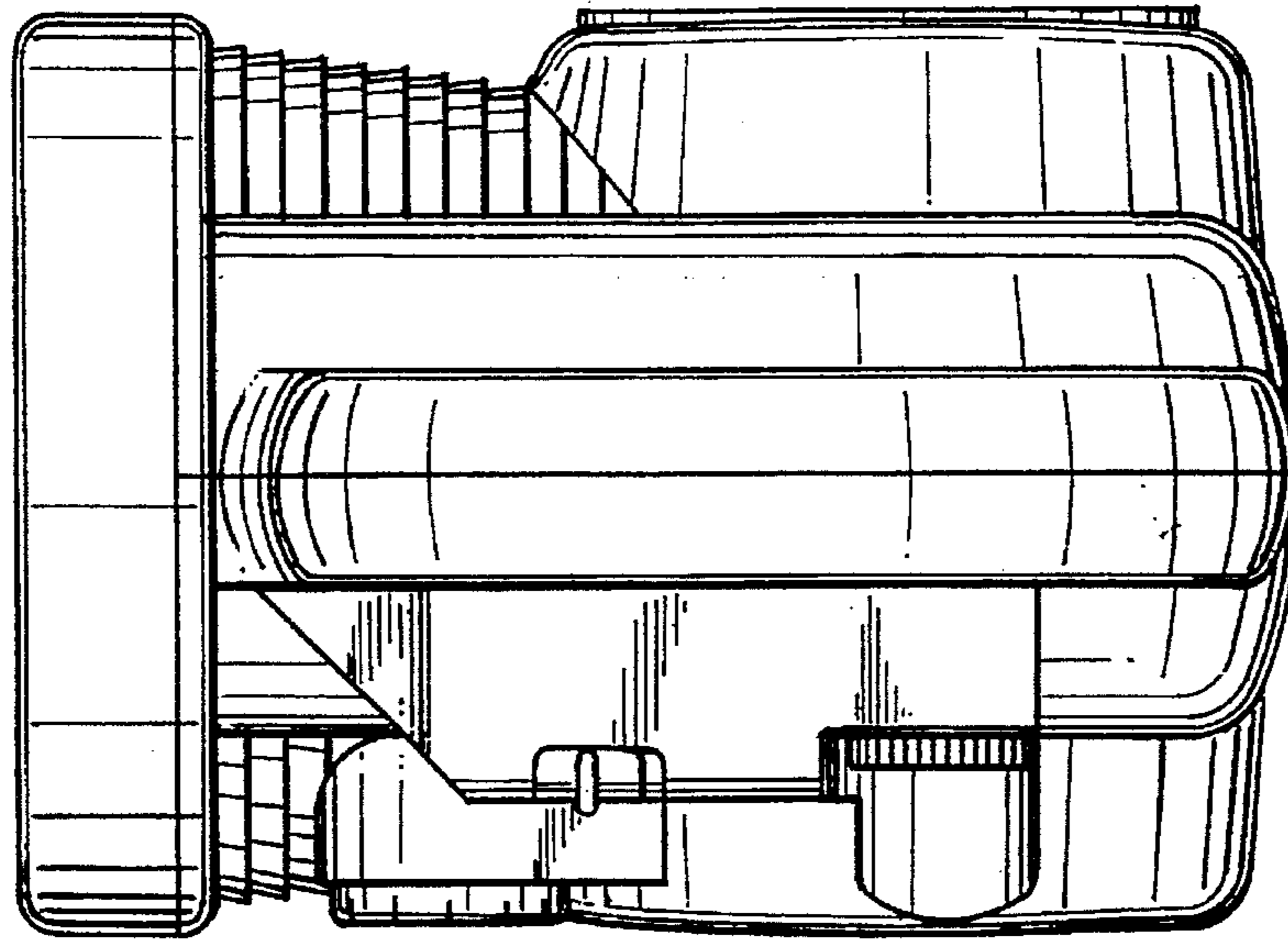
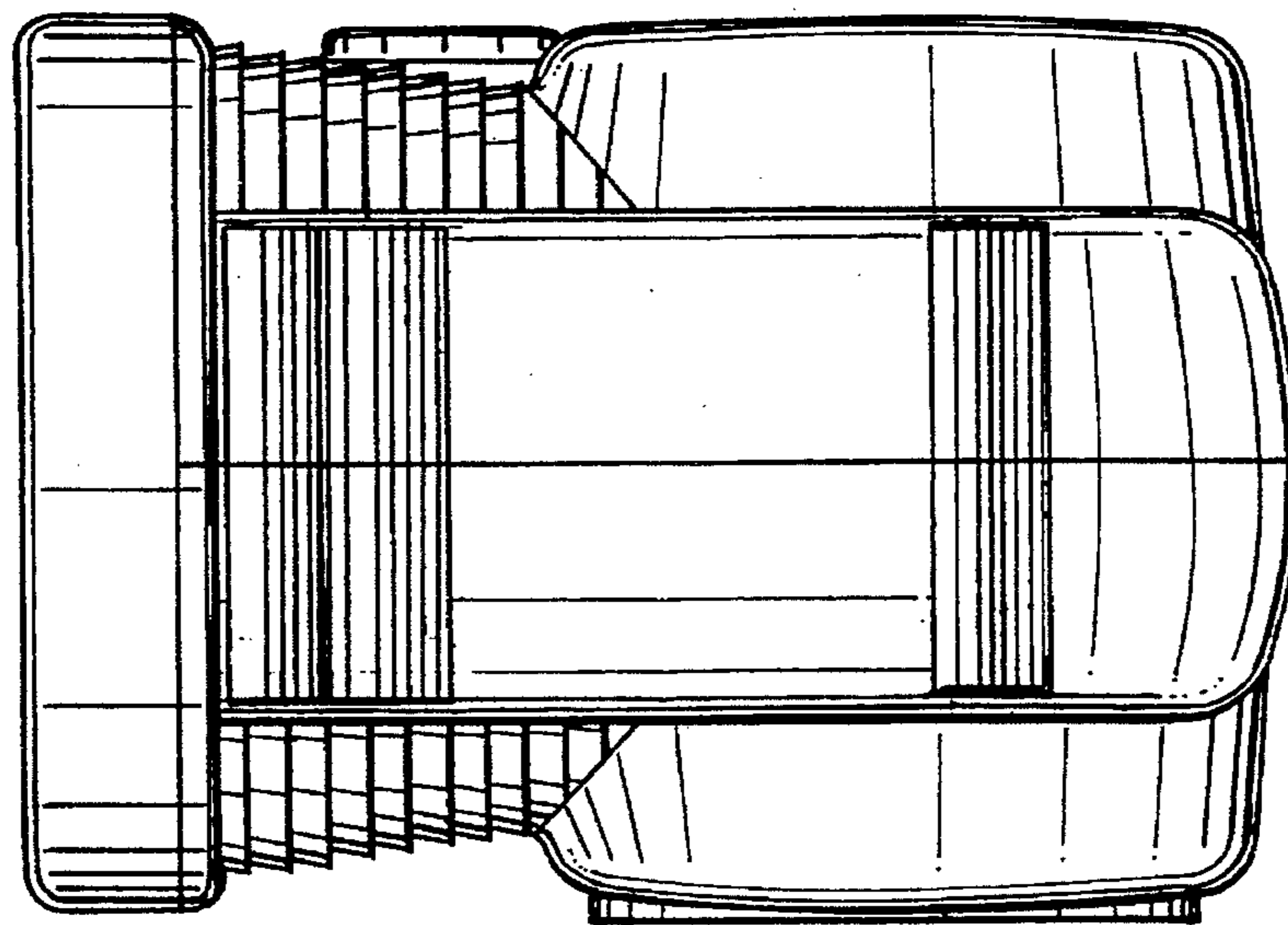


FIG. 4



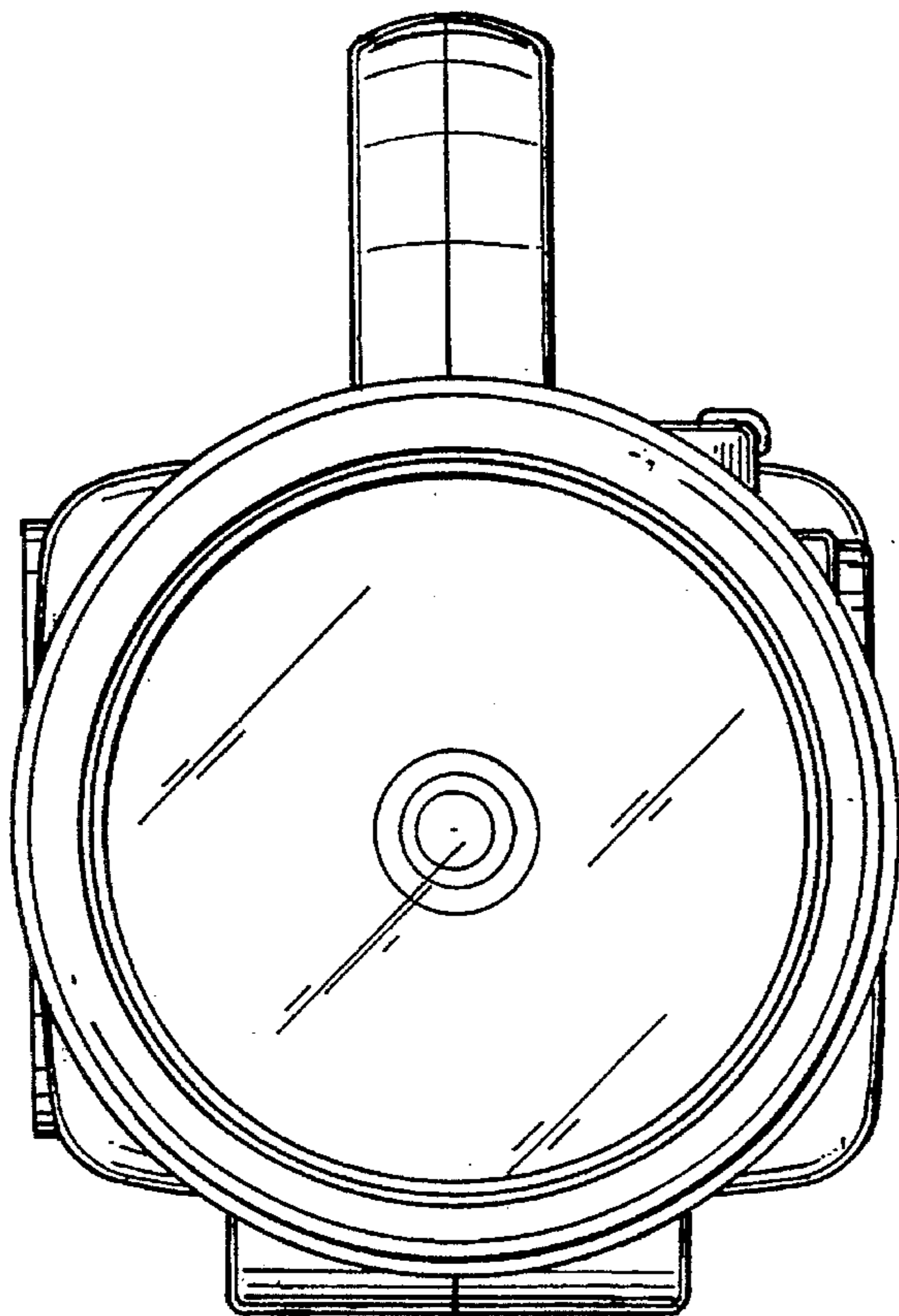


FIG. 5

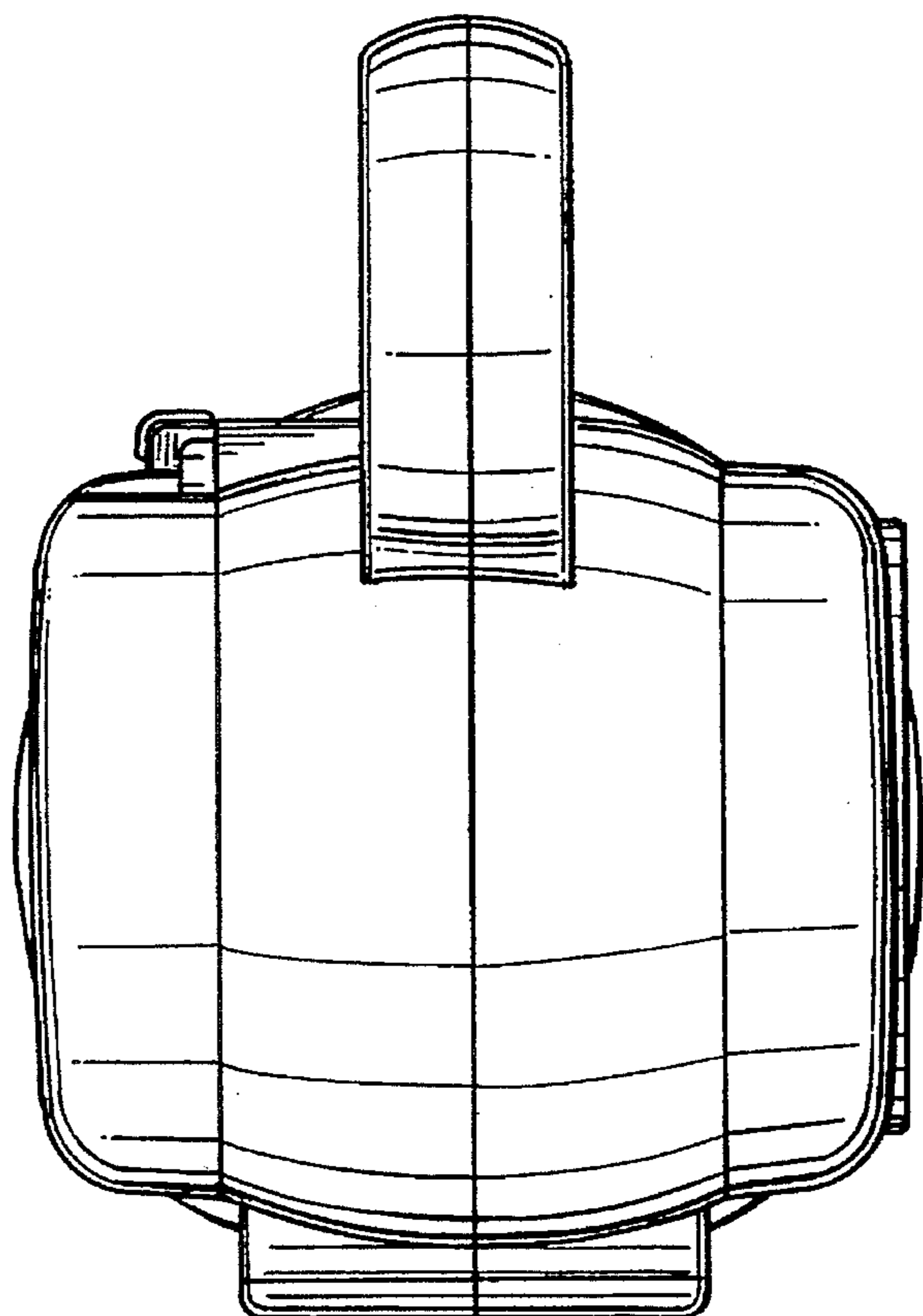


FIG. 6

FIG. 7

