



US00D378815S

United States Patent [19]

[11] Patent Number: **Des. 378,815**

Dodson

[45] Date of Patent: ****Apr. 15, 1997**

[54] **HEAT SINK**

[76] Inventor: **Douglas A. Dodson**, 5995 Avenida Encinas, Carlsbad, Calif. 92008

[**] Term: **14 Years**

[21] Appl. No.: **40,437**

[22] Filed: **Jun. 19, 1995**

[52] U.S. Cl. **D13/179**

[58] Field of Search D13/179; 165/80.3, 165/185; 174/16.3; 257/718-722

[56] **References Cited**

U.S. PATENT DOCUMENTS

D. 357,670	4/1995	Dodson	D13/179
5,208,731	5/1993	Blomquist	361/704
5,377,745	1/1995	Hsieh	165/80.3

Primary Examiner—Antoine Duval Davis
Attorney, Agent, or Firm—Calif Tervo

[57] **CLAIM**

The ornamental design for a heat sink, as shown and described.

DESCRIPTION

FIG. 1 is a perspective view of the top of a heat sink showing

my new design;

FIG. 2 is a perspective view of the bottom of the heat sink of FIG. 1;

FIG. 3 is a front elevational view thereof, the rear view being a mirror image;

FIG. 4 is a right side elevational view thereof;

FIG. 5 is a top plan view thereof;

FIG. 6 is a right side elevational view thereof;

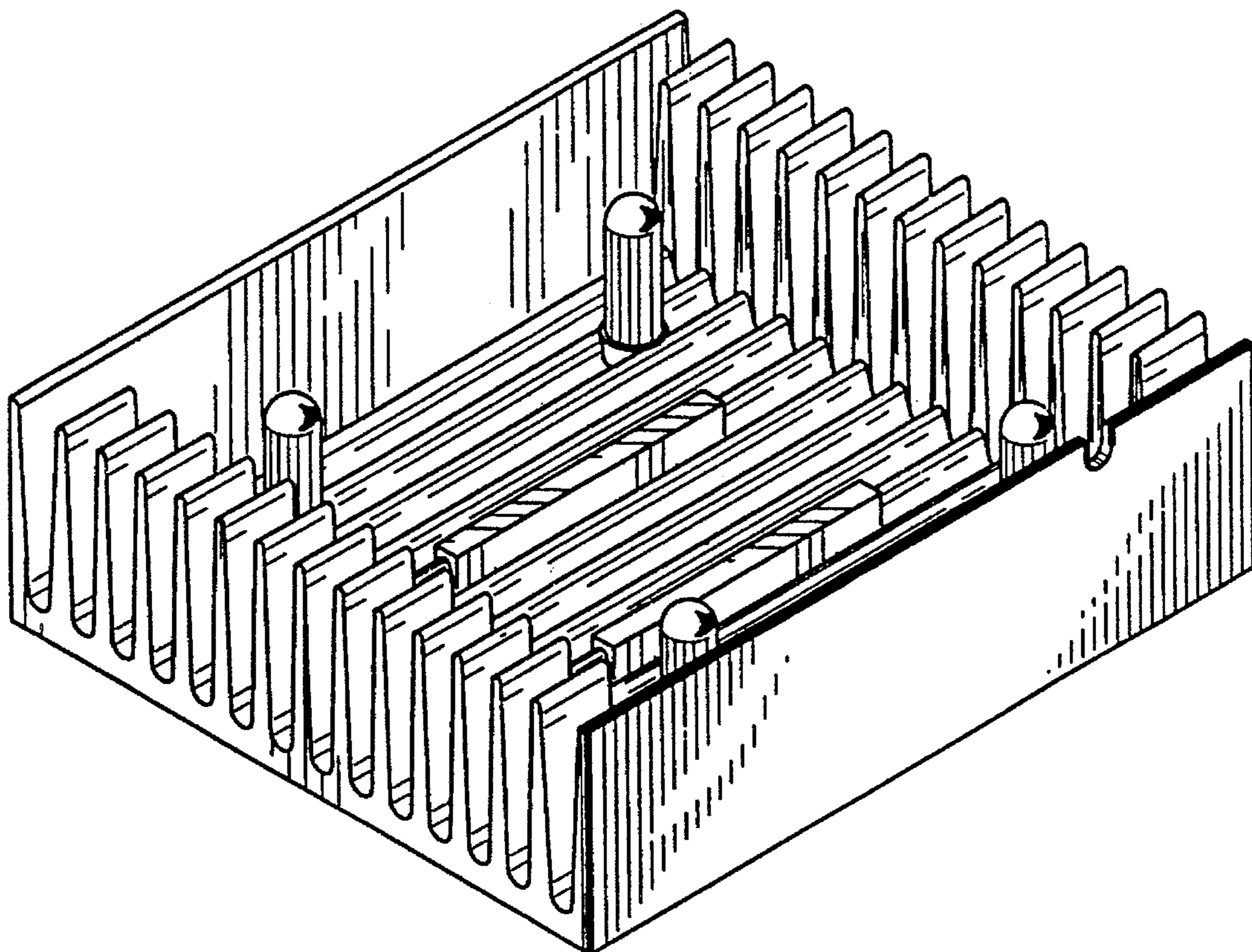
FIG. 7 is a bottom plan view thereof;

FIG. 8 is a cross-sectional view thereof, taken on line 8—8 of FIG. 5;

FIG. 9 is an enlarged top fragment view of the pin and pin base taken of FIG. 5; and,

FIG. 10 is an enlarged front elevation fragment view of the pin and pin base of FIG. 9; the rear and side elevational views being the same.

1 Claim, 2 Drawing Sheets



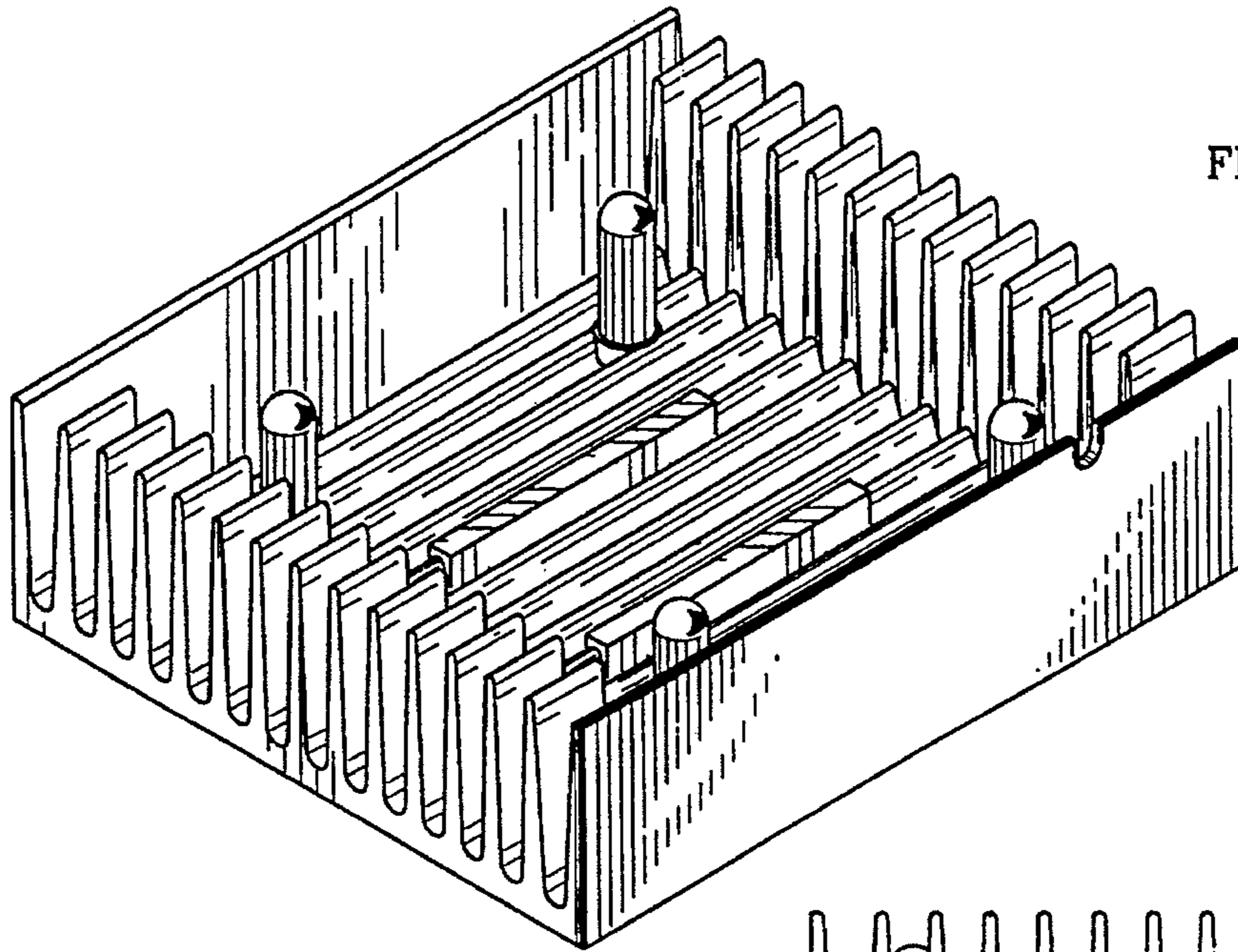


FIG. 1

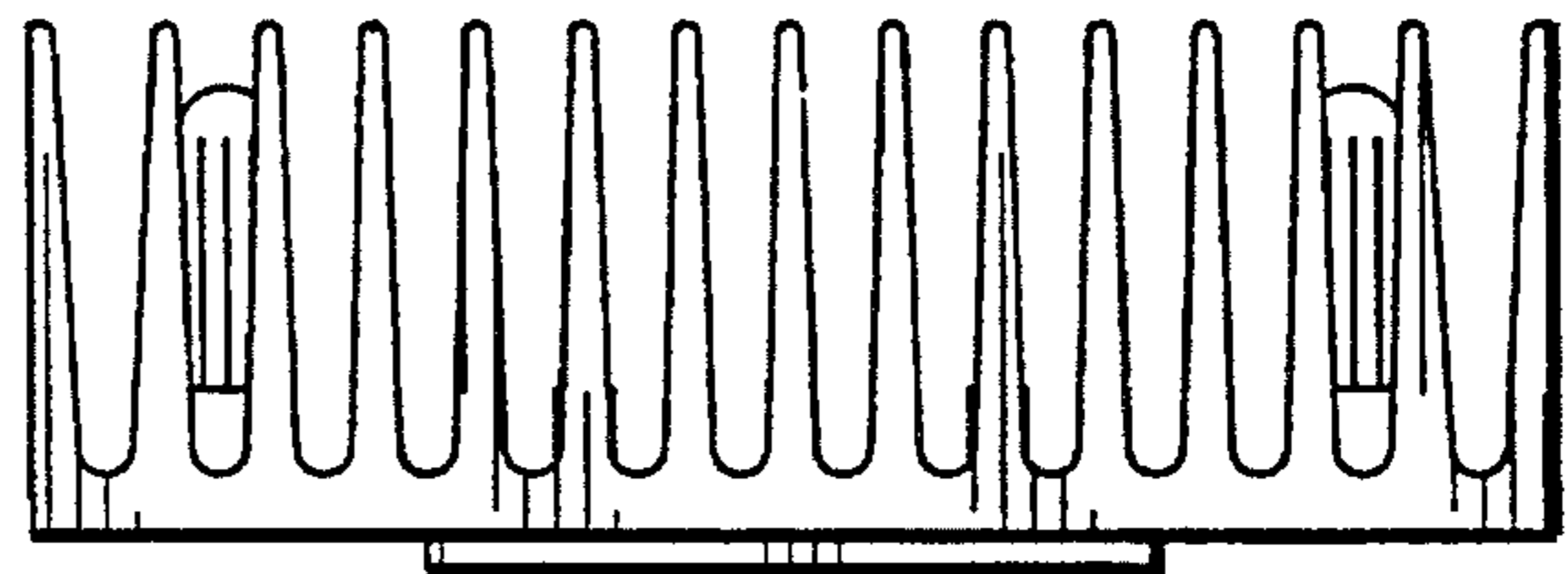


FIG. 3

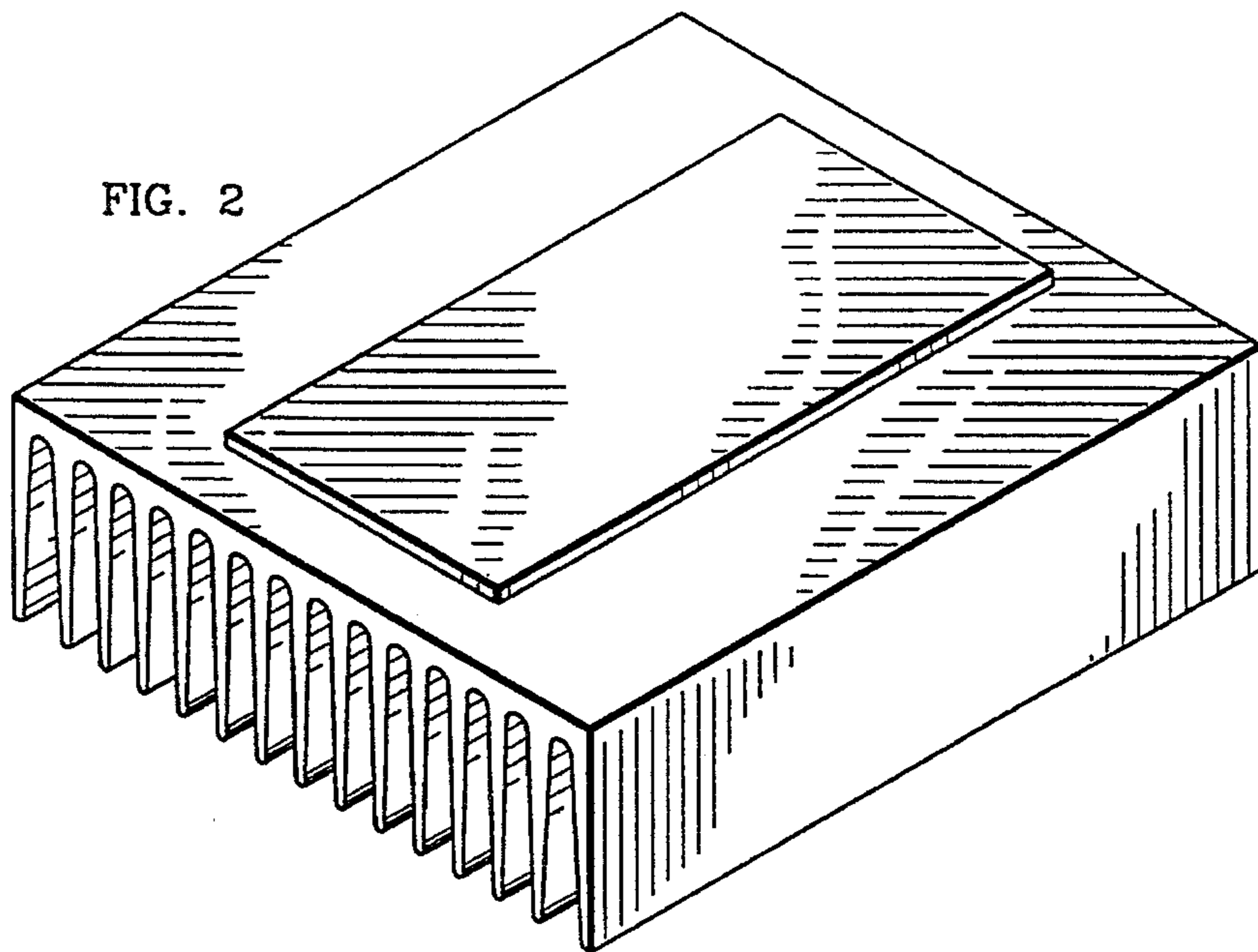


FIG. 2

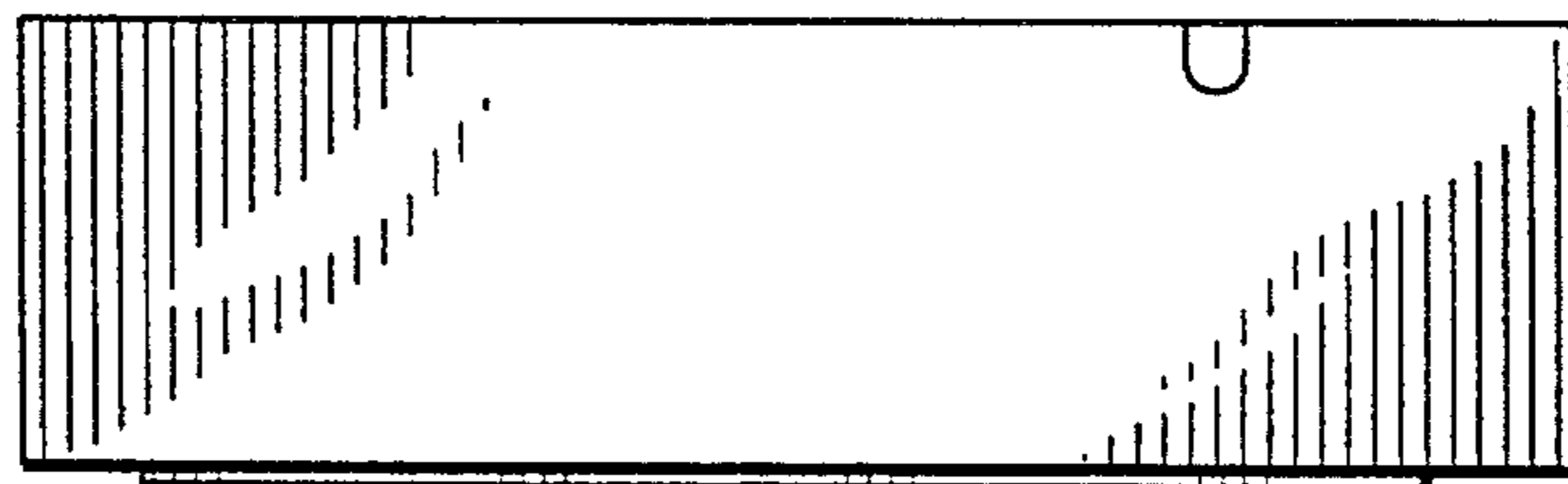
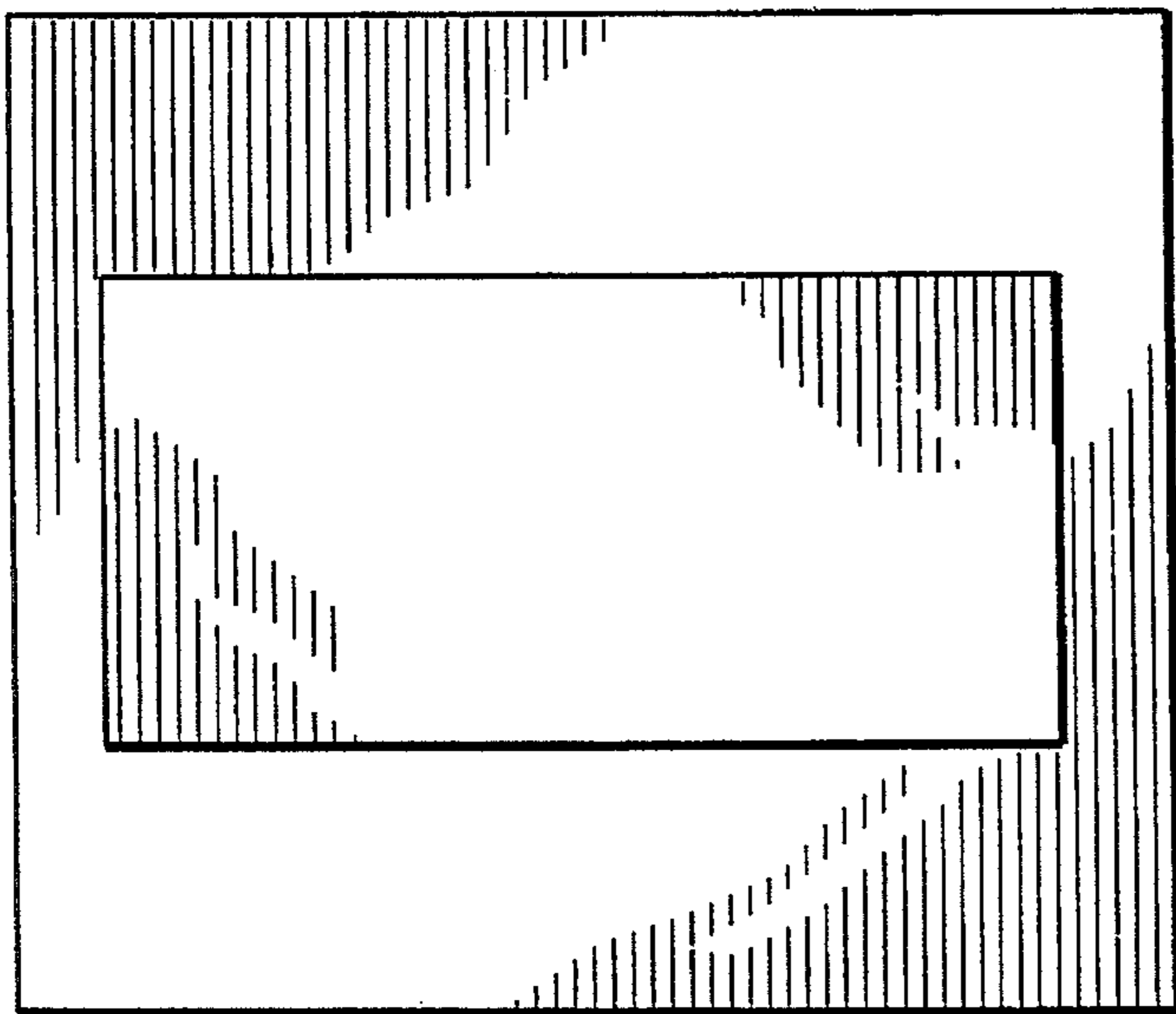


FIG. 4

FIG. 7



8 ↖

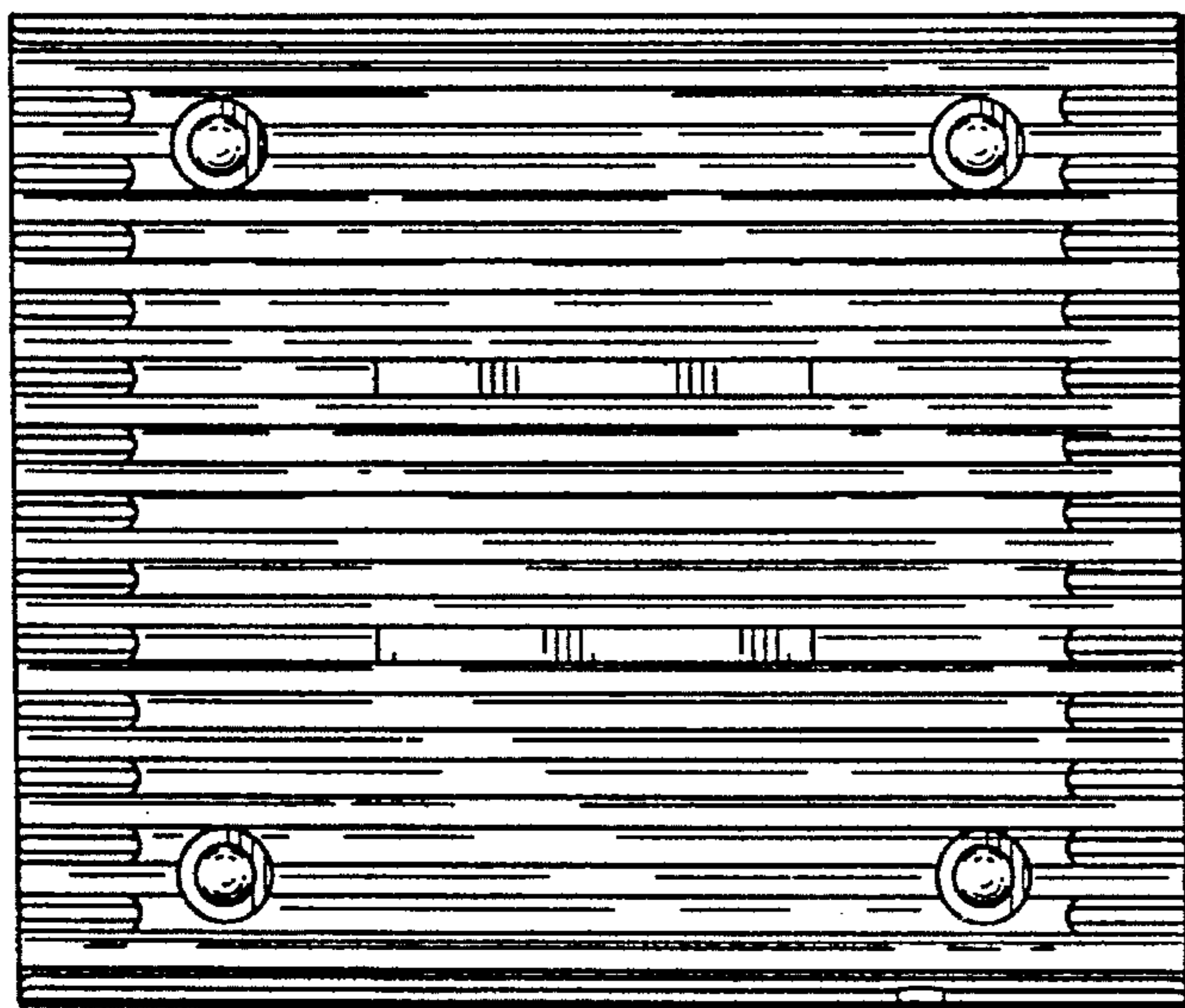


FIG. 5

8 ↖

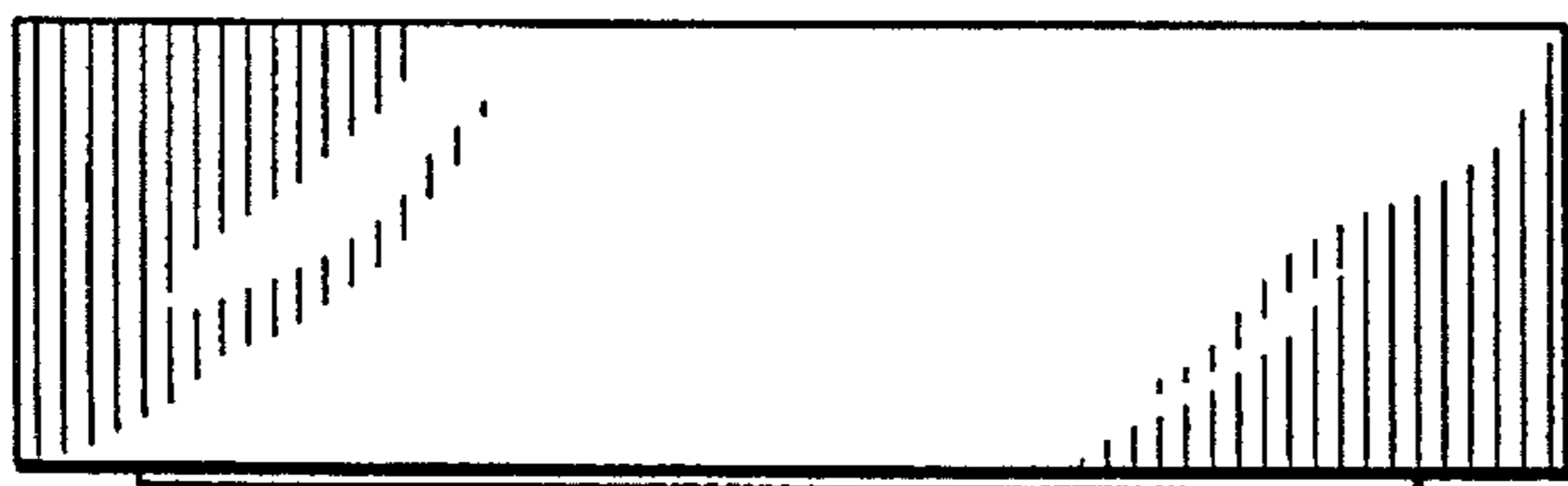


FIG. 6

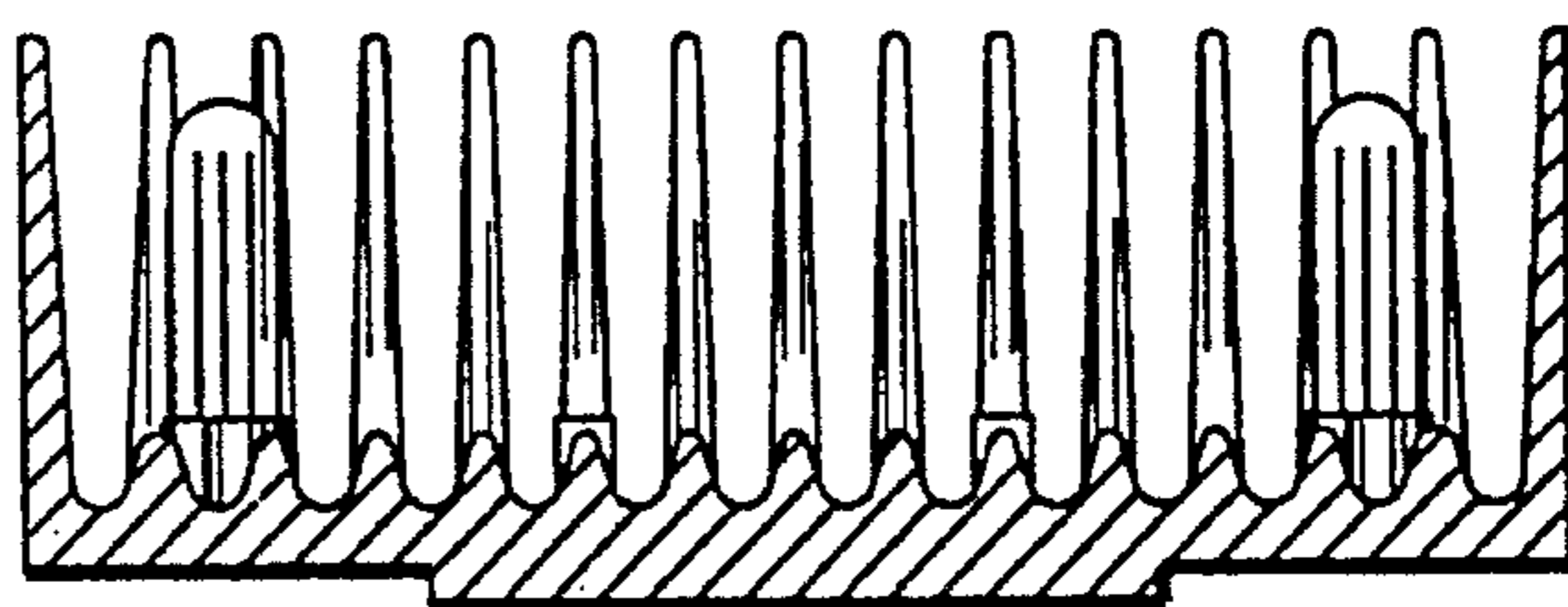


FIG. 8

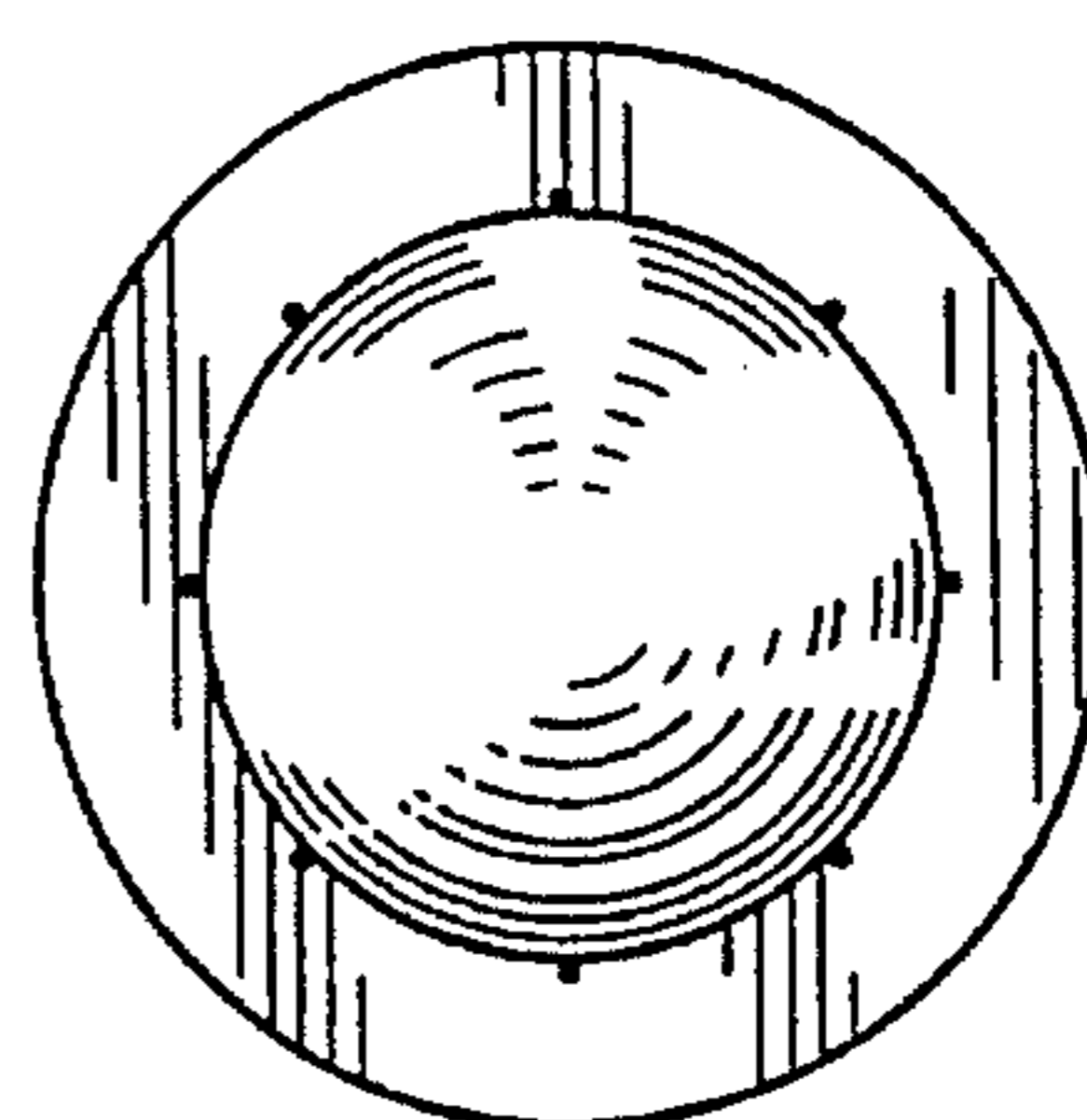


FIG. 9

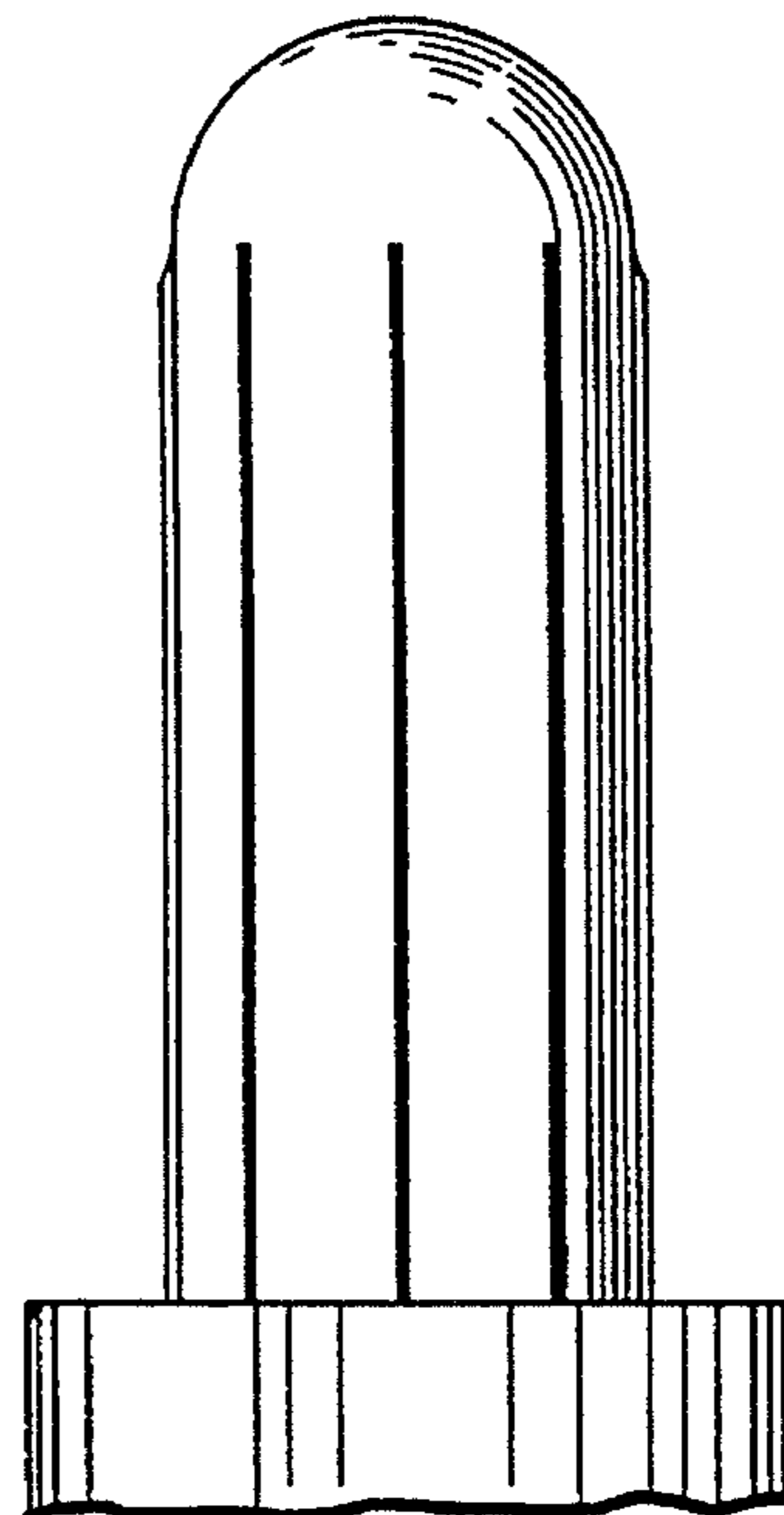


FIG. 10