



US00D378813S

United States Patent [19]

[11] Patent Number: **Des. 378,813**

Jacques

[45] Date of Patent: ****Apr. 15, 1997**

[54] **RIDE PLATE FOR PERSONAL WATER CRAFT**

[76] Inventor: **Greg Jacques**, 1578 Riverside Pl., Costa Mesa, Calif. 92627

[**] Term: **14 Years**

[21] Appl. No.: **47,722**

[22] Filed: **Dec. 11, 1995**

[52] U.S. Cl. **D12/317**

[58] Field of Search D12/317, 318; 114/219, 343, 361, 270

[56] **References Cited**

U.S. PATENT DOCUMENTS

- D. 317,431 6/1991 Klus D12/317
- D. 335,484 5/1993 Moyle et al. D12/317
- 5,357,890 10/1994 Mason, Jr. et al. 114/343

Primary Examiner—Kay H. Chin
Attorney, Agent, or Firm—Hawes, Fischer & Dickinson

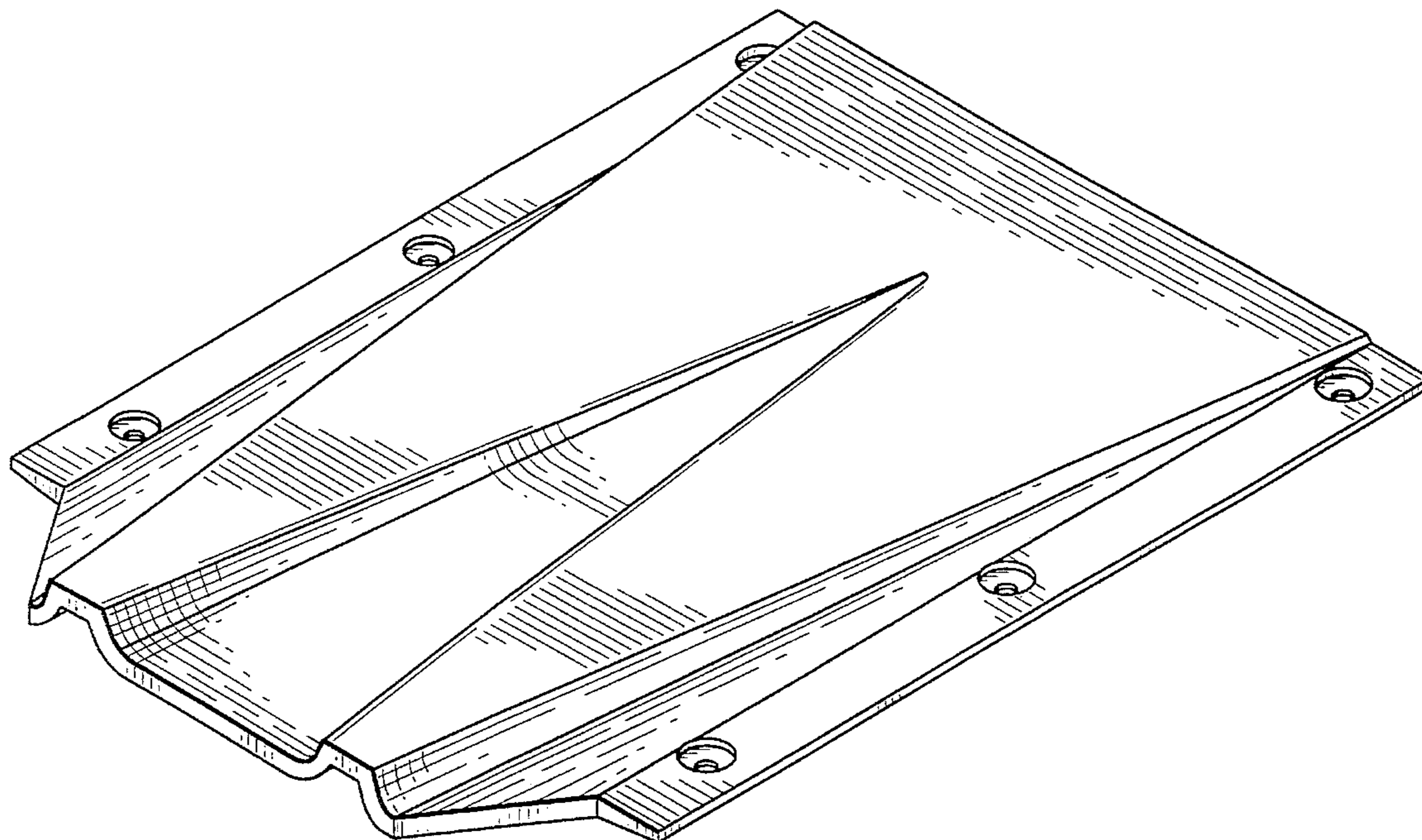
[57] **CLAIM**

The ornamental design for a ride plate for personal water craft, as shown and described.

DESCRIPTION

FIG. 1 is a front perspective view of the ride plate for personal water craft of my new design;
 FIG. 2 is a bottom elevation view thereof;
 FIG. 3 is a side elevation view thereof;
 FIG. 4 is a top elevation view thereof;
 FIG. 5 is a back plan view thereof;
 FIG. 6 is a front plan view thereof;
 FIG. 7 is a front perspective view of a second embodiment of the ride plate for personal water craft of my new design;
 FIG. 8 is a bottom elevation view of FIG. 7;
 FIG. 9 is a side elevation view of FIG. 7;
 FIG. 10 is a top elevation view of FIG. 7;
 FIG. 11 is a back plan view of FIG. 7;
 FIG. 12 is a front plan view of FIG. 7;
 FIG. 13 is a front perspective view of a third embodiment of the ride plate for personal water craft of my new design;
 FIG. 14 is a bottom elevation view of FIG. 13;
 FIG. 15 is a side elevation view of FIG. 13;
 FIG. 16 is a top elevation view of FIG. 13;
 FIG. 17 is a back plan view of FIG. 13; and
 FIG. 18 is a front plan view of FIG. 13.

1 Claim, 9 Drawing Sheets



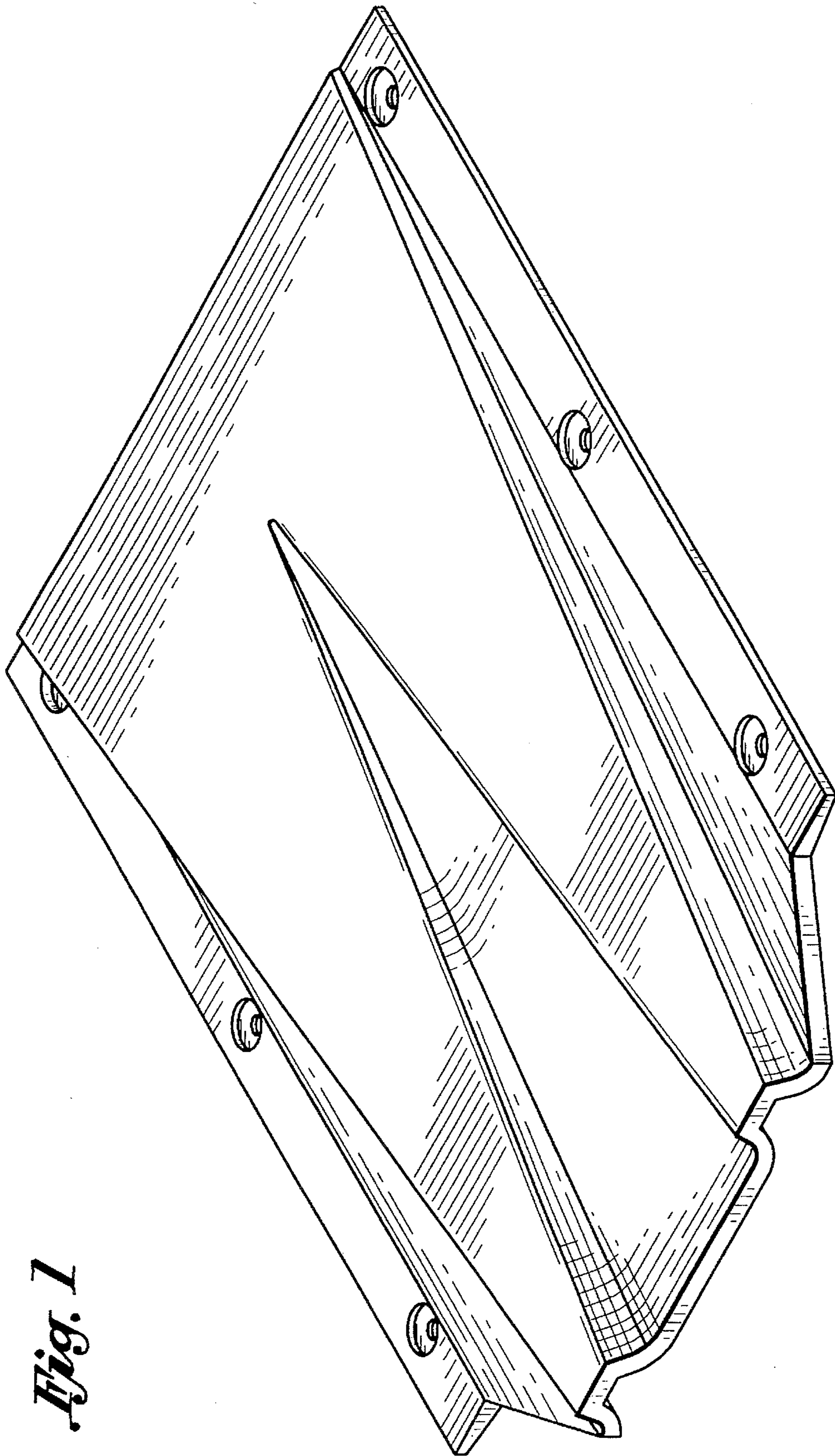


Fig. 1

Fig. 2

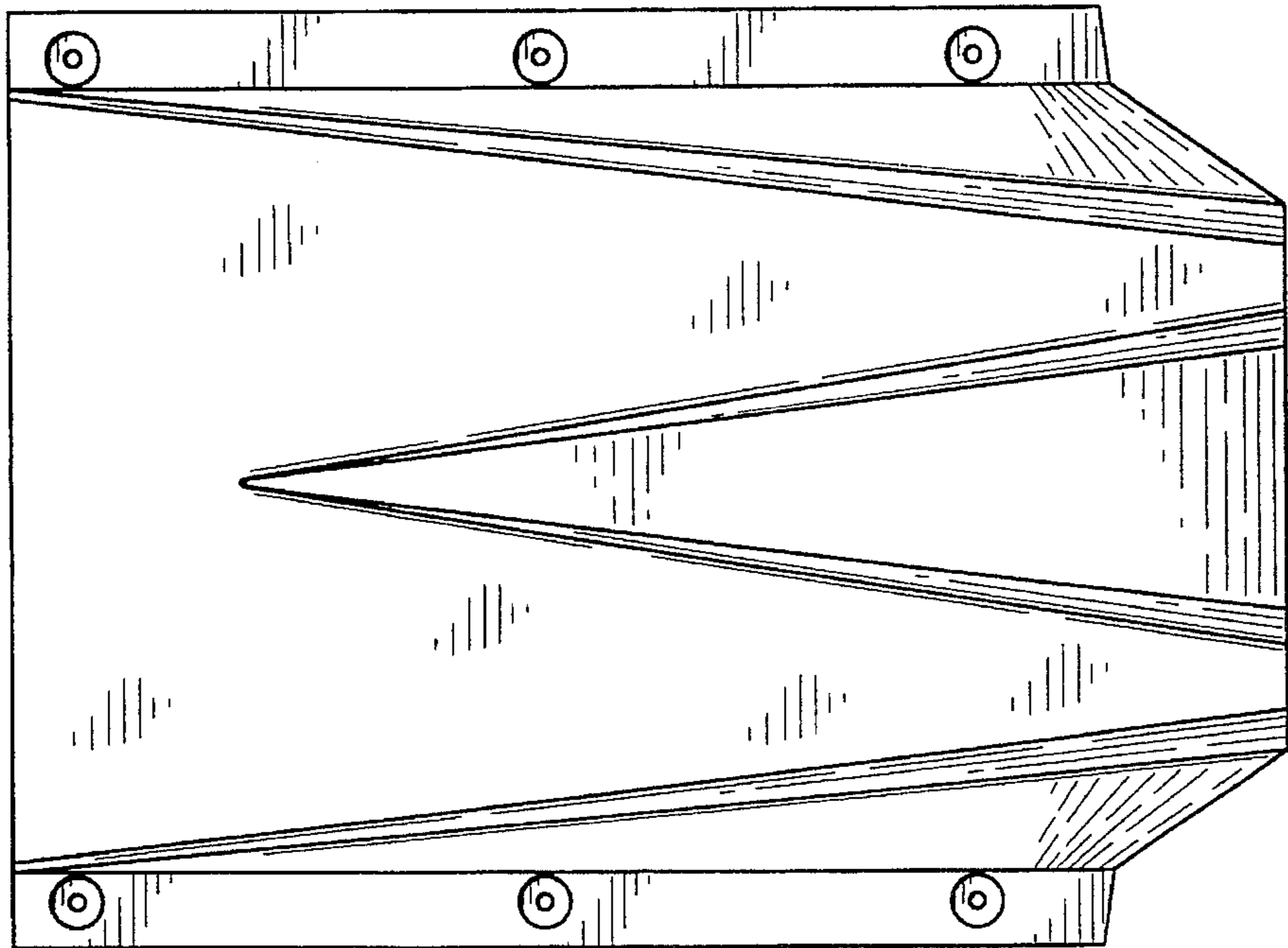


Fig. 3

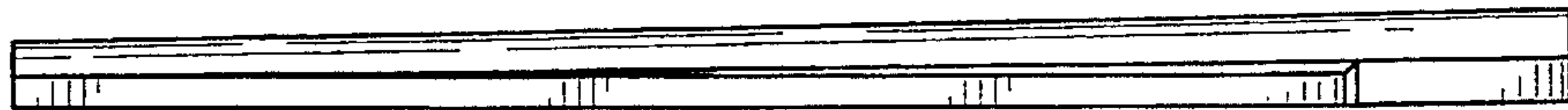


Fig. 4

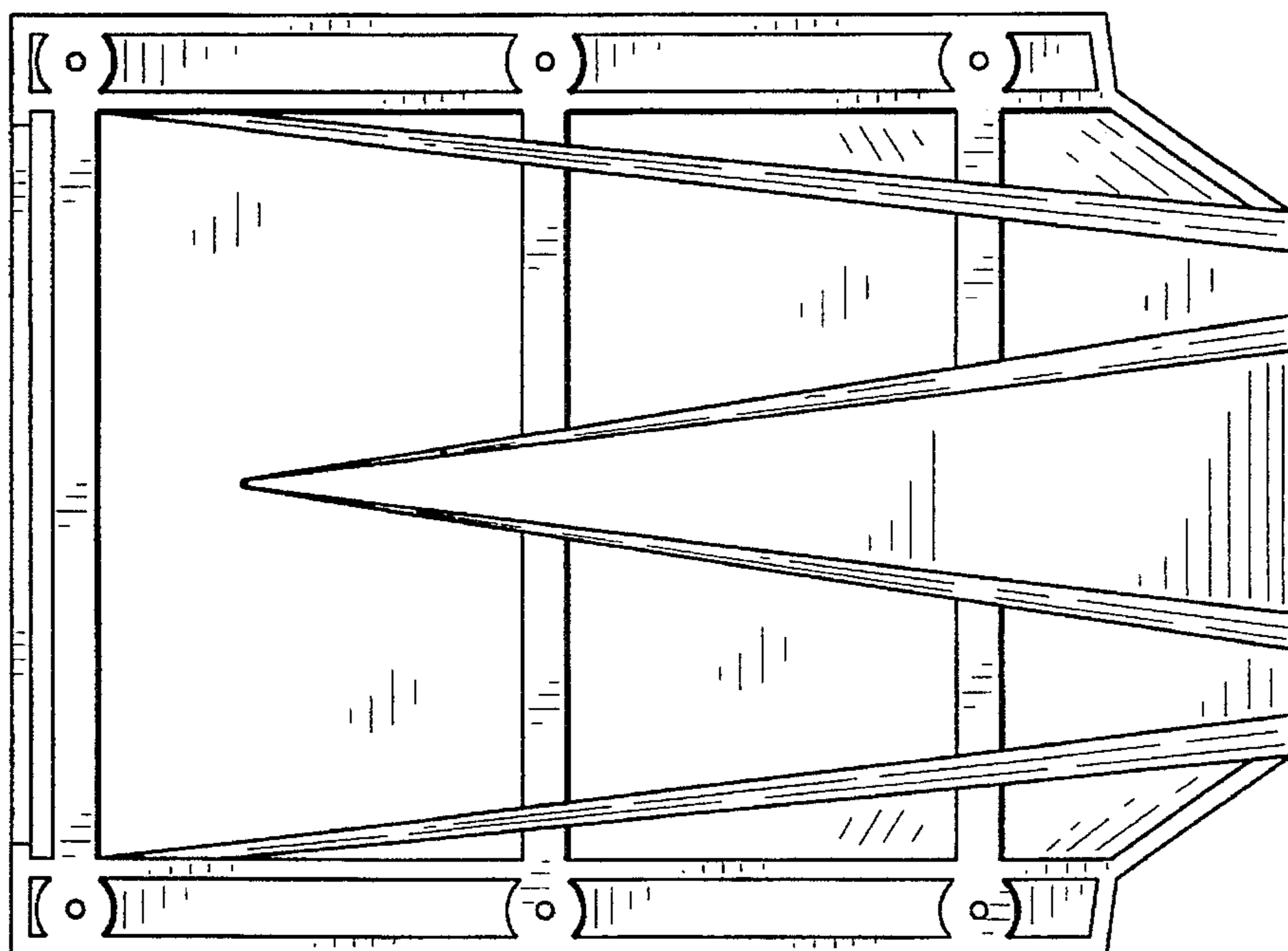
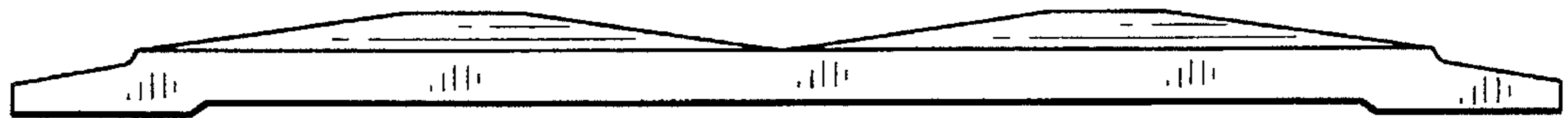


Fig. 5



Fig. 6



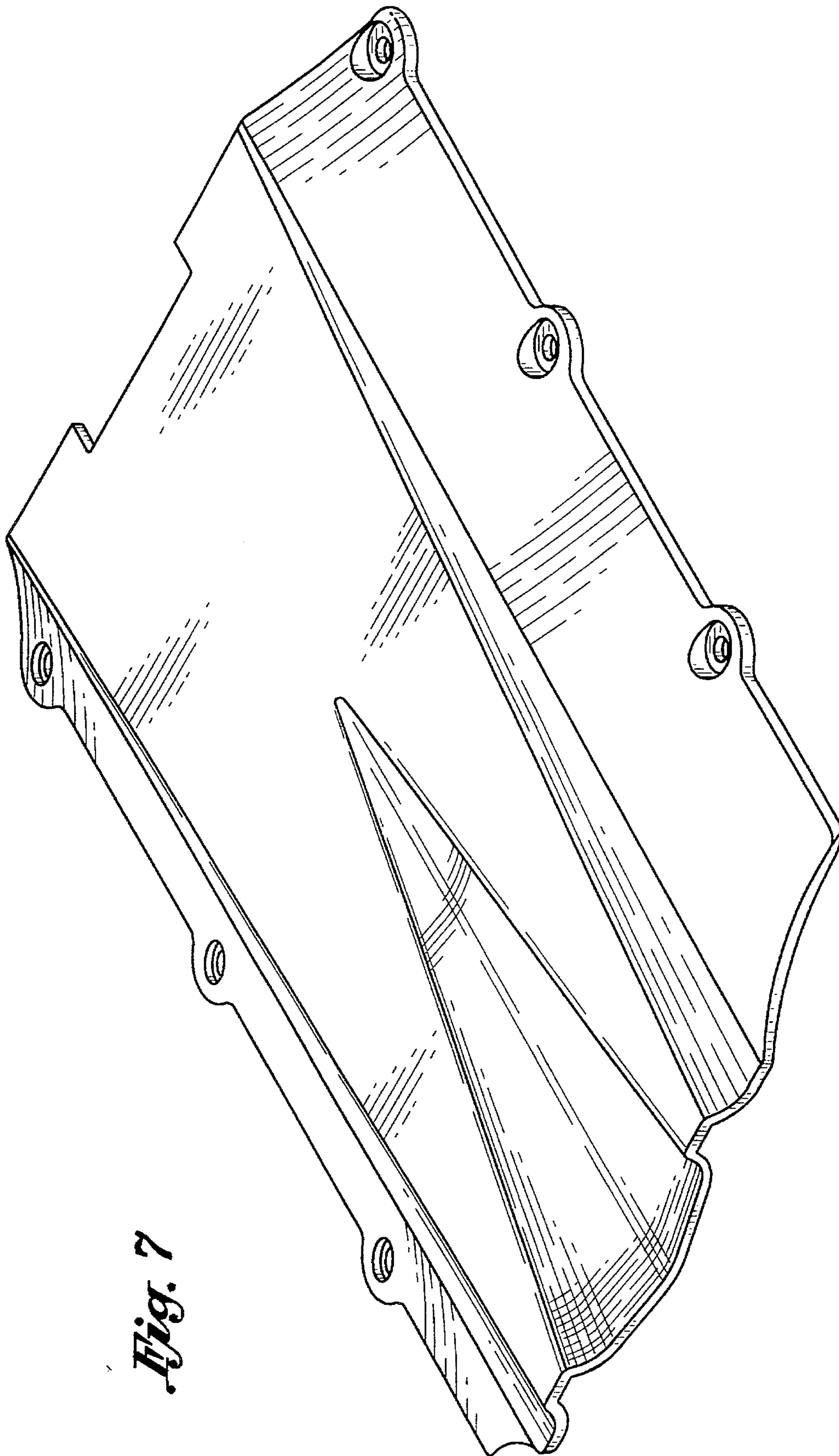


Fig. 7

Fig. 8

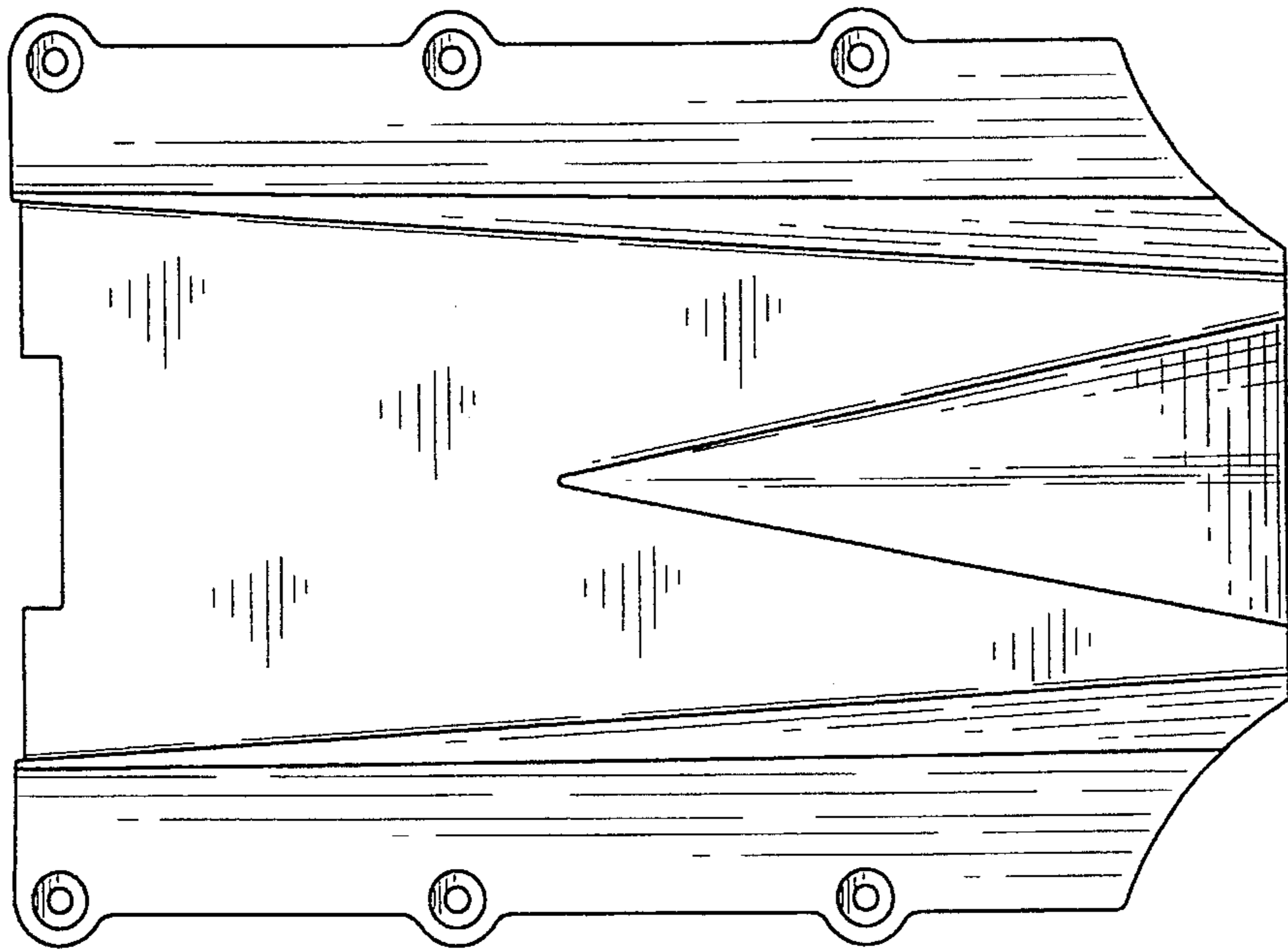


Fig. 9

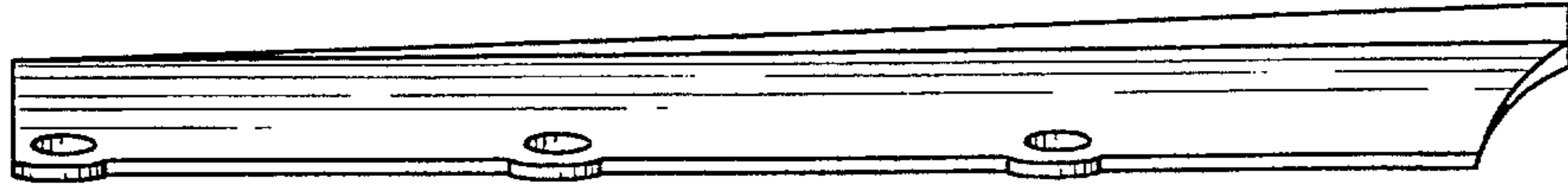


Fig. 10

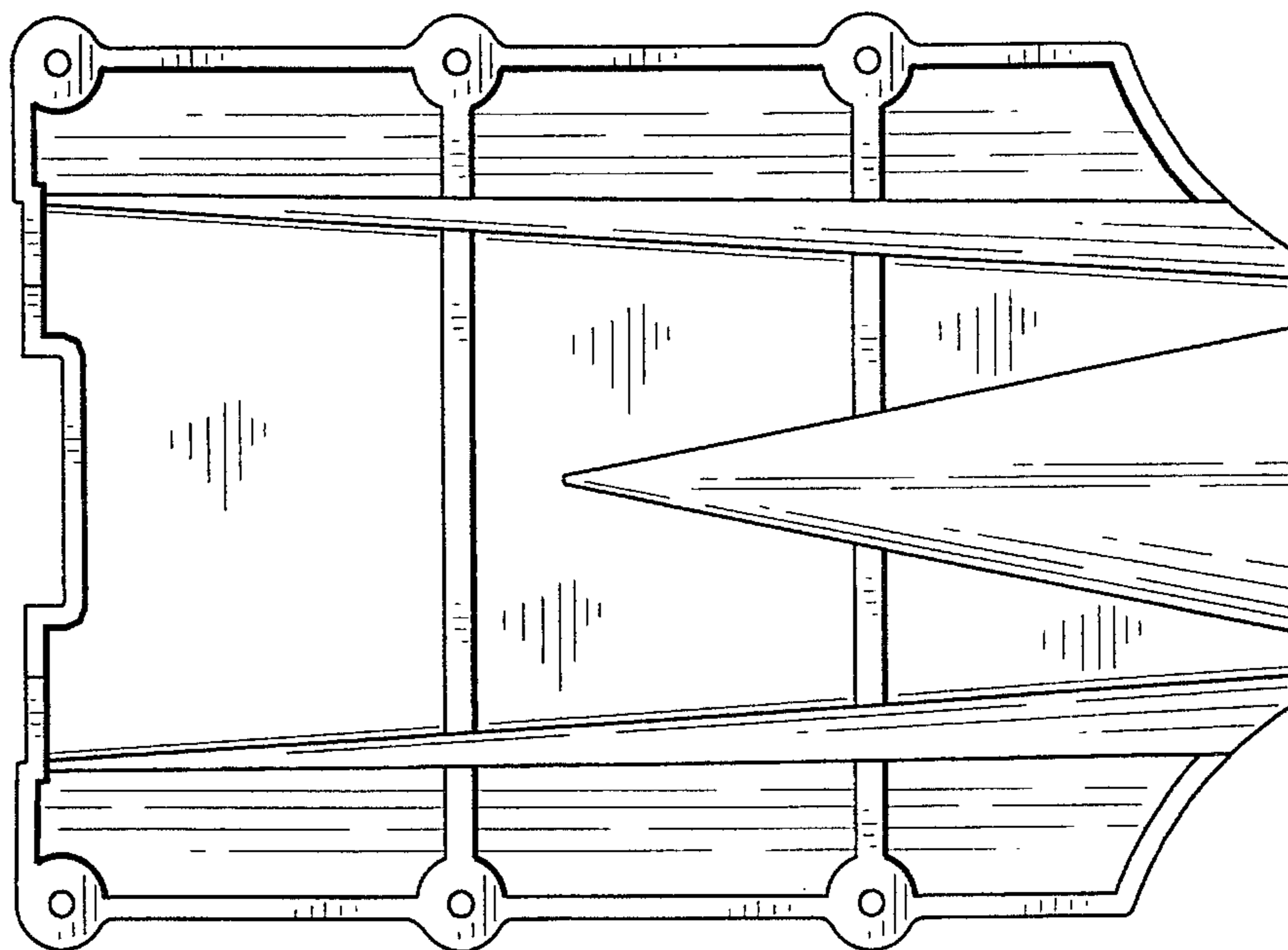


Fig. 11

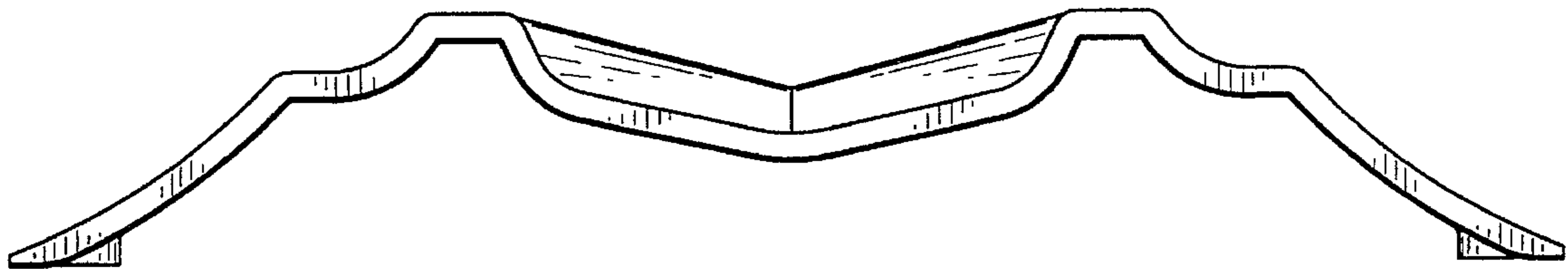
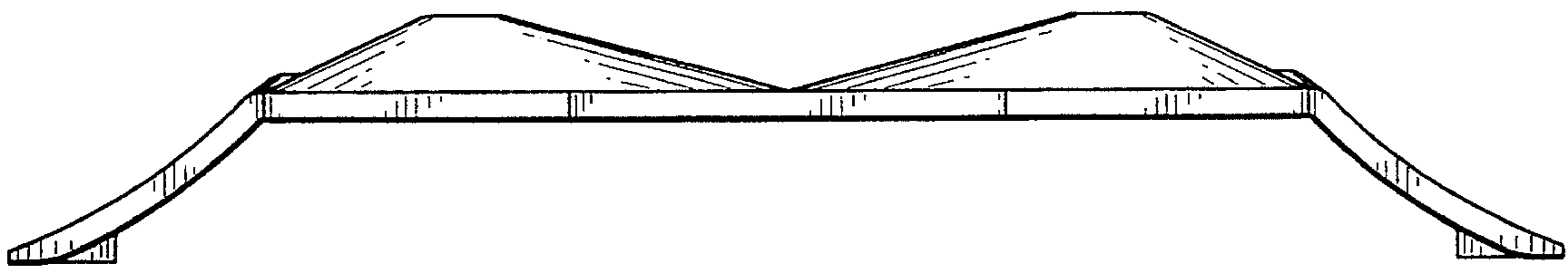


Fig. 12



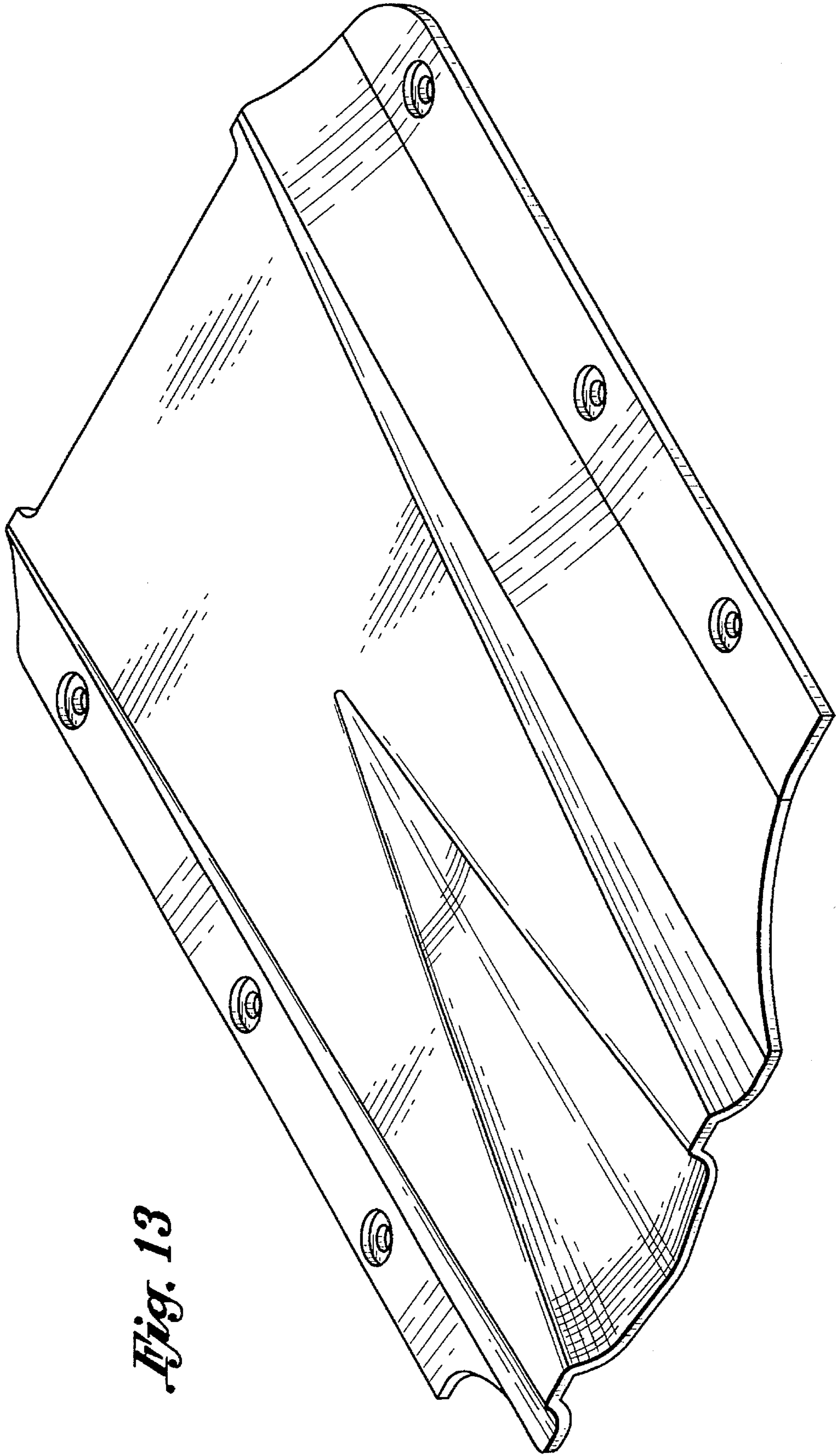


Fig. 13

Fig. 14

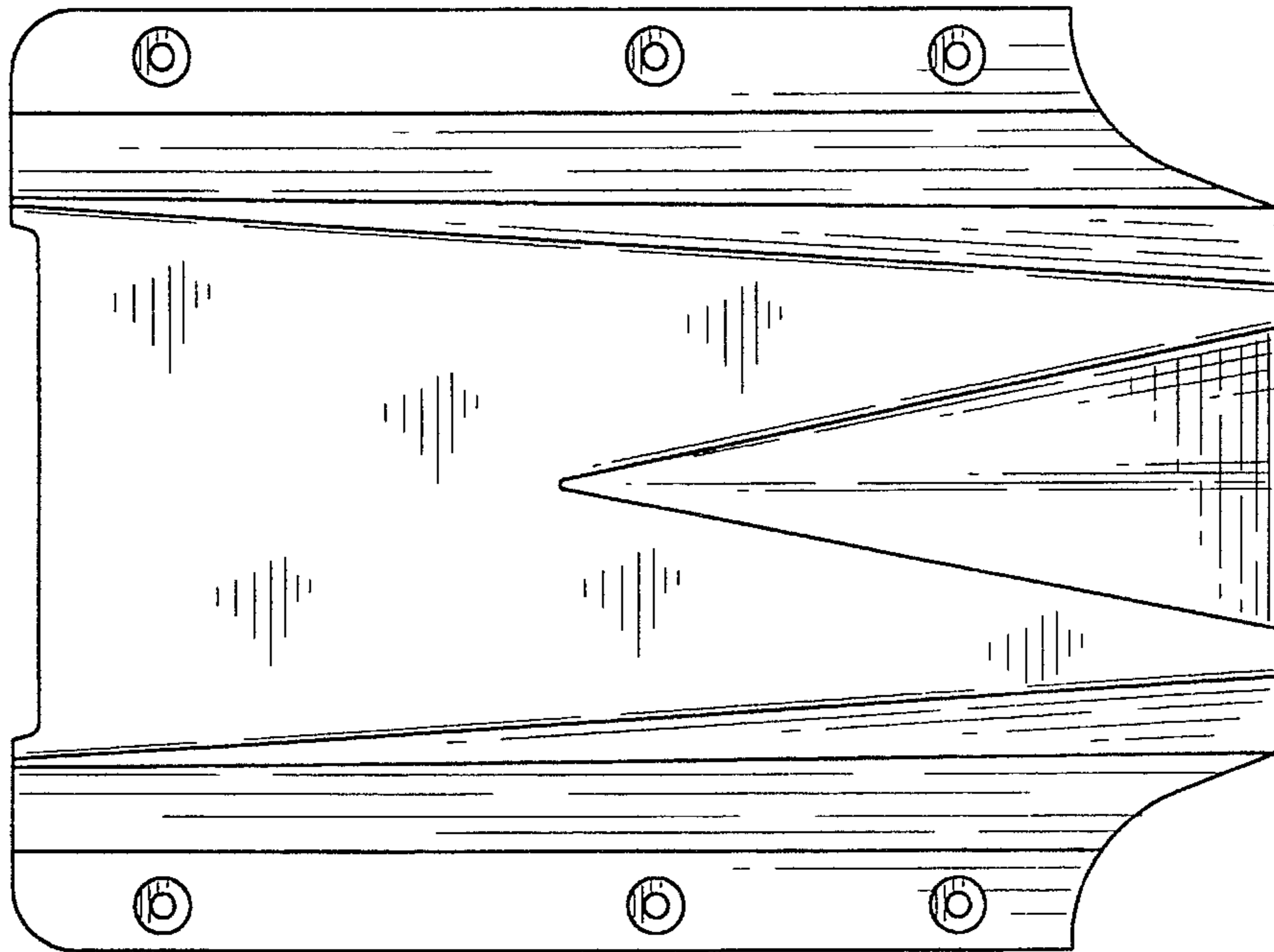


Fig. 15

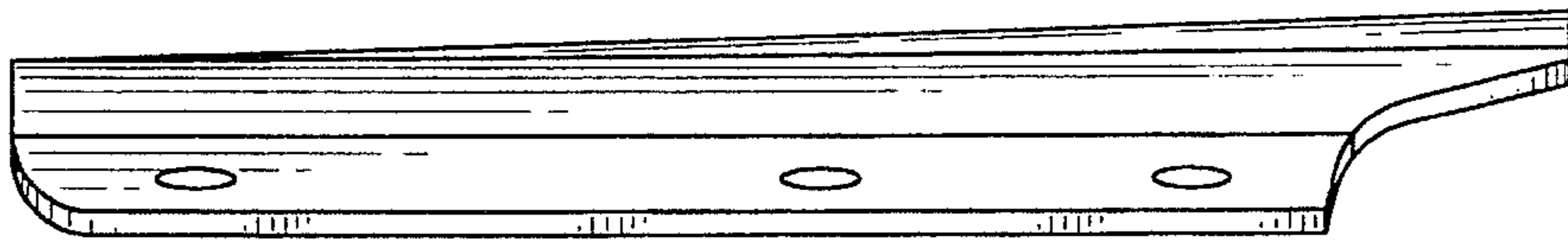


Fig. 16

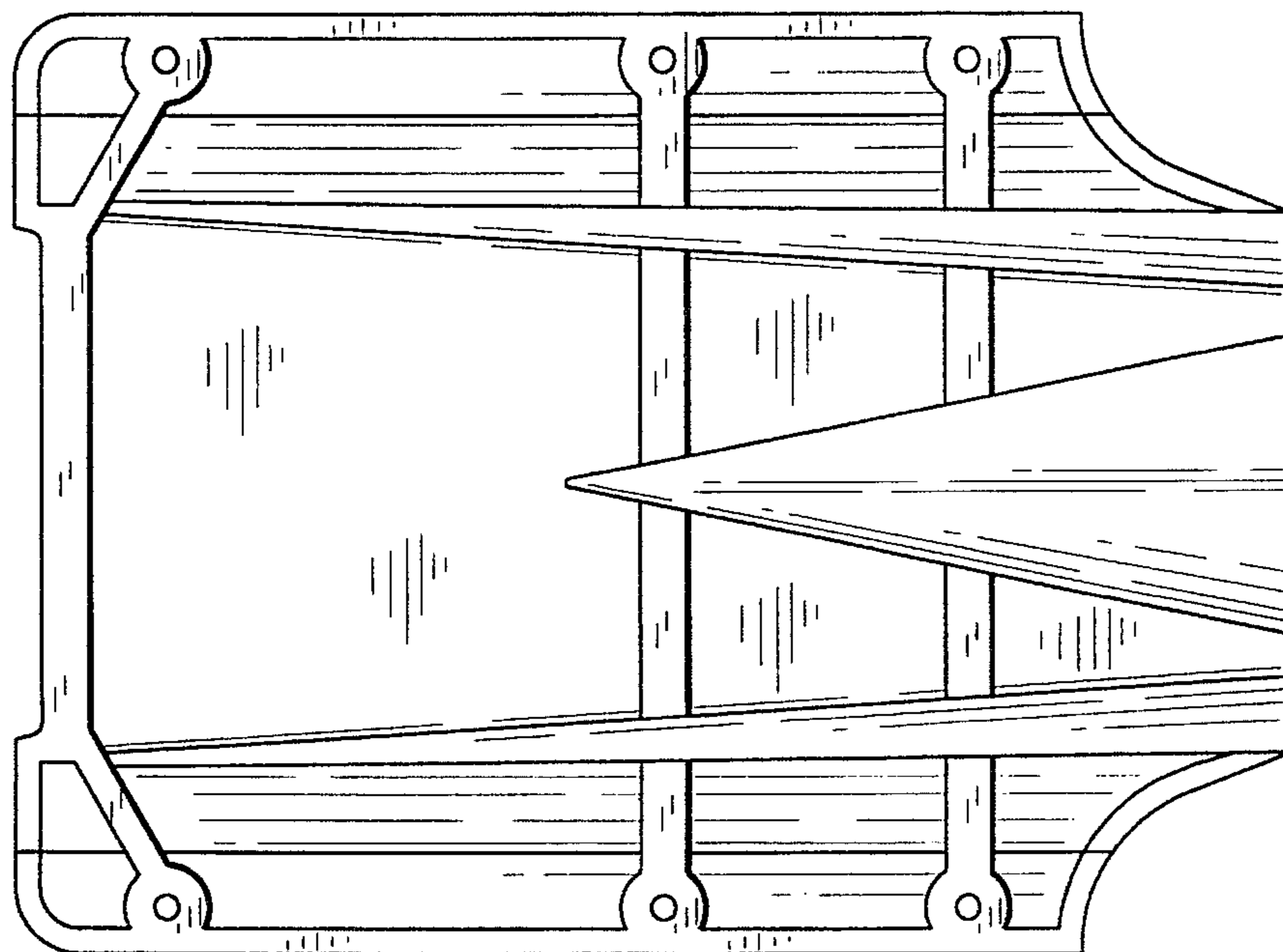


Fig. 17

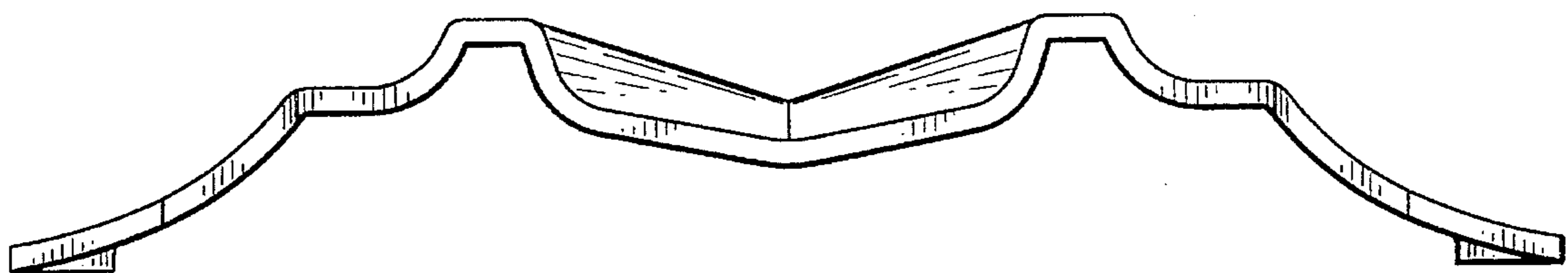


Fig. 18

