



US00D378812S

# United States Patent [19]

Aycock

[11] Patent Number: **Des. 378,812**

[45] Date of Patent: **\*\*Apr. 15, 1997**

[54] **REAR SIDE PANEL PROTECTOR FOR PICKUP TRUCKS**

[76] Inventor: **Greg Aycock**, 33215 Buckshot La., Magnolia, Tex. 77355

[\*\*] Term: **14 Years**

[21] Appl. No.: **53,327**

[22] Filed: **Apr. 8, 1996**

### Related U.S. Application Data

[62] Division of Ser. No. 33,552, Jan. 17, 1995.

[52] U.S. Cl. .... **D12/167**

[58] Field of Search ..... D12/167, 169, D12/172, 190, 196, 400-401, 221; 296/198, 153, 39.1-39.3; 280/762, 770, 850, 768

### [56] References Cited

#### U.S. PATENT DOCUMENTS

D. 314,171	1/1991	Hamilton	.....	D12/167	X
D. 347,417	5/1994	Hamilton	.....	D12/221	
D. 368,248	3/1996	Bryant	.....	D12/196	
3,881,768	5/1975	Nix	.....	296/39.1	
3,902,752	9/1975	Pelletier	.....	296/39.1	X
4,884,824	12/1989	Radke	.....	280/770	
4,909,559	3/1990	Zettle	.....	280/770	X
4,960,301	10/1990	Fry et al.	.....	296/39.2	
4,997,227	3/1991	Falzone et al.	.....	296/39.2	
5,129,678	7/1992	Gurbacki	.....	280/770	

5,209,545	5/1993	Slaugh	.....	280/770	X
5,215,345	6/1993	Orphan	.....	296/39.1	
5,273,316	12/1993	Infante	.....	280/770	
5,470,642	11/1995	Egigian	.....	296/39.1	X

*Primary Examiner*—B. J. Bullock  
*Assistant Examiner*—Stacia Sinuik  
*Attorney, Agent, or Firm*—Kenneth A. Roddy

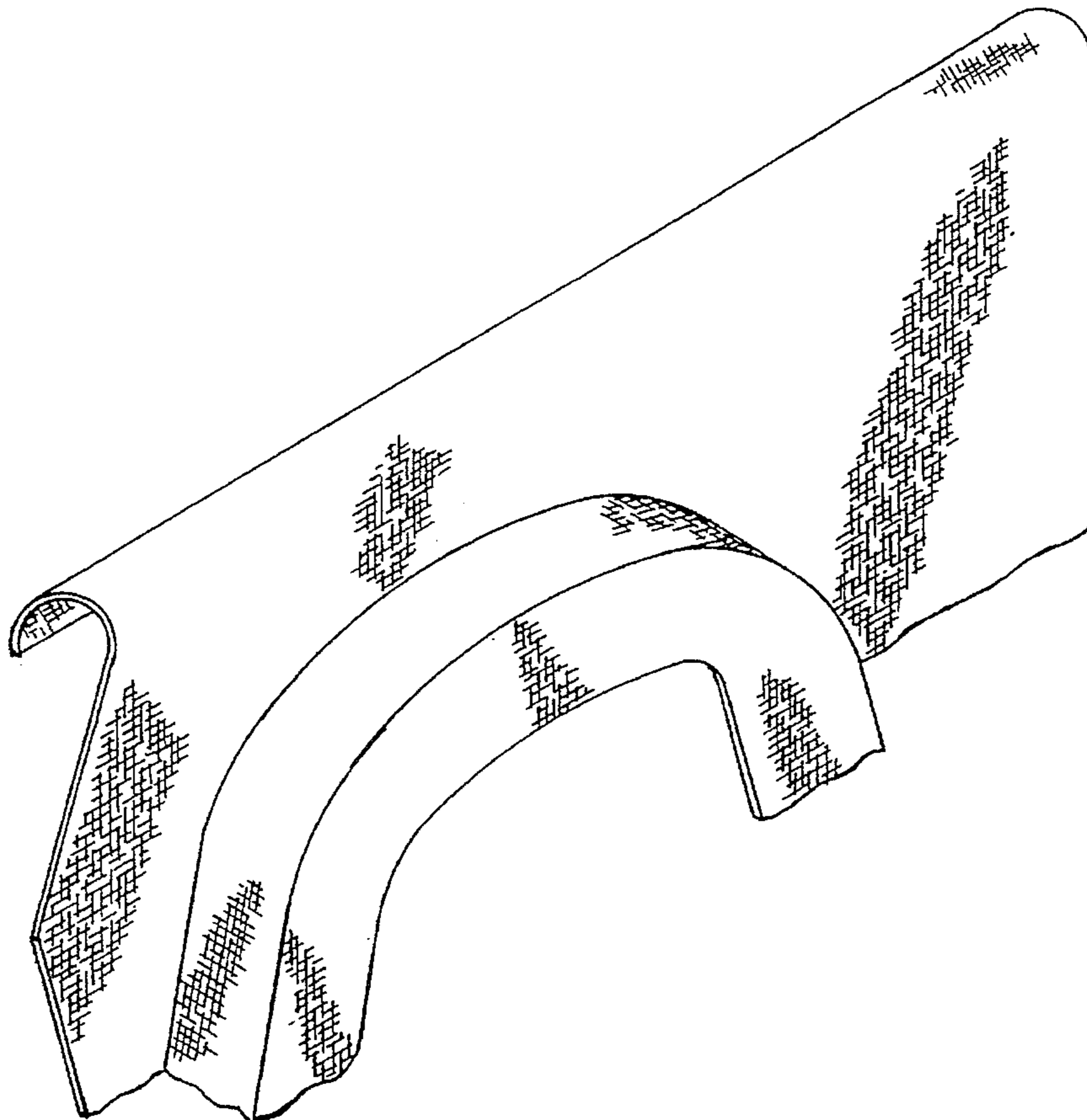
### [57] CLAIM

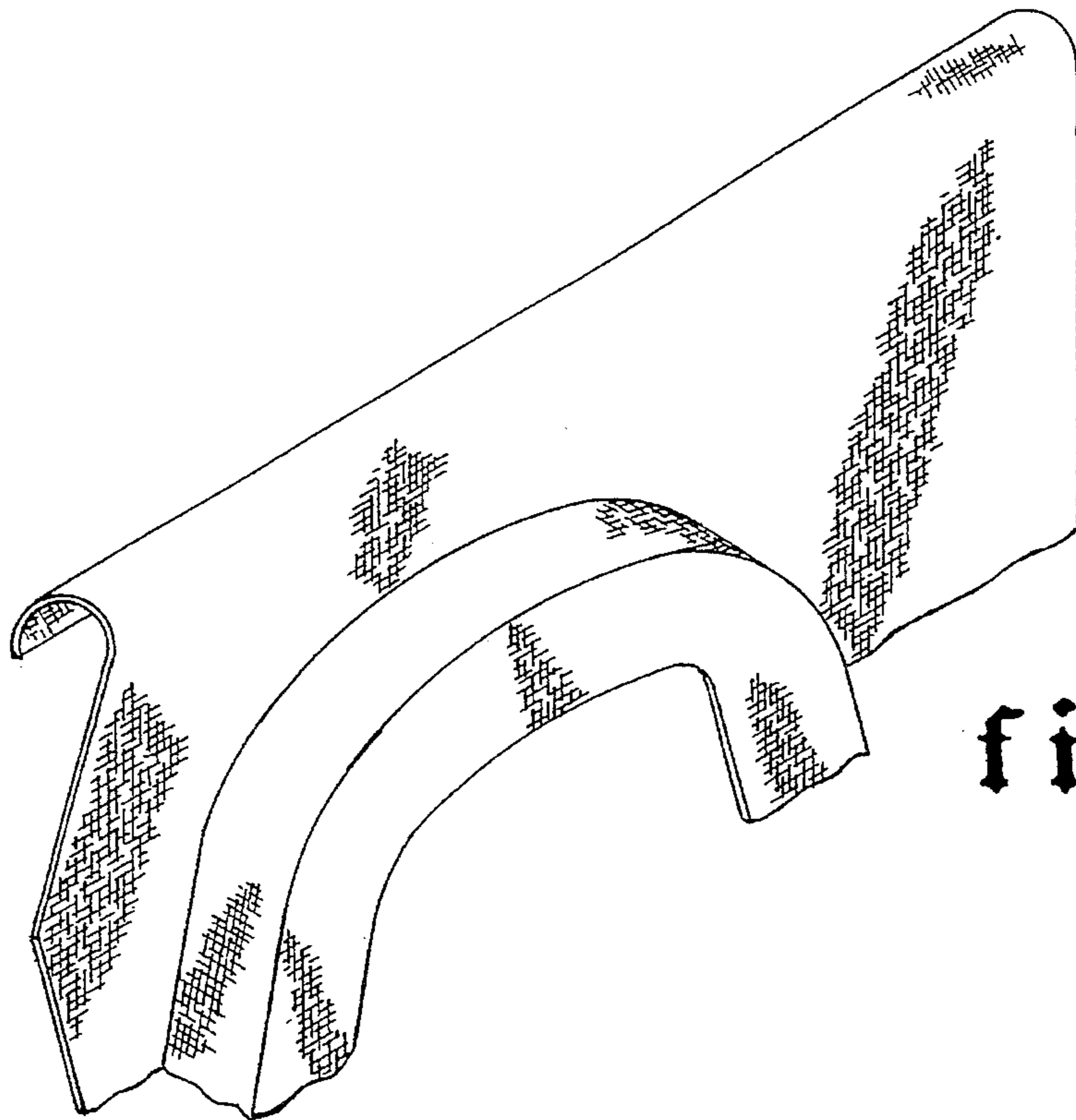
The ornamental design for a rear side panel protector for pickup trucks, as shown and described.

### DESCRIPTION

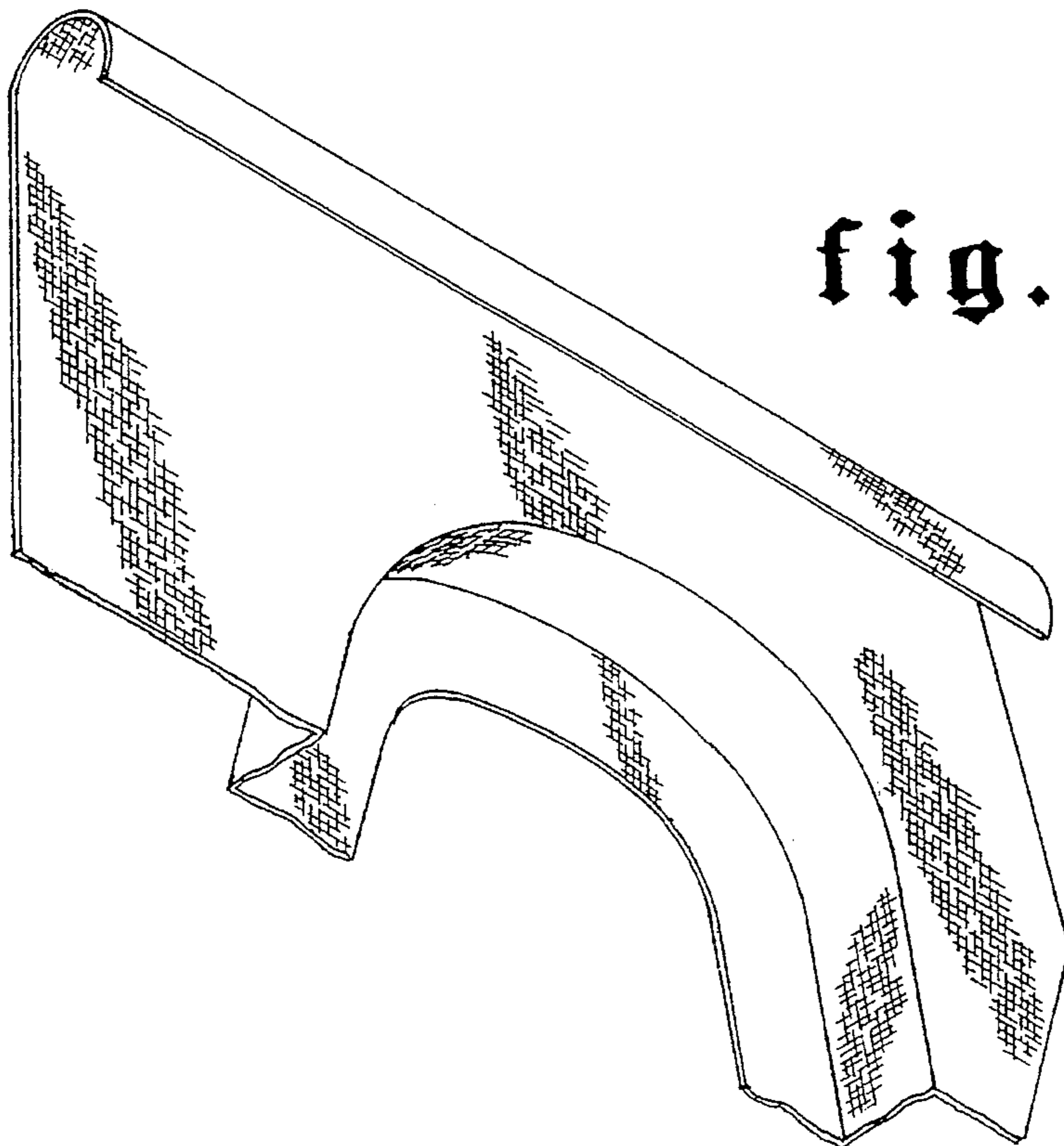
FIG. 1 is a perspective view of a first embodiment of a rear side panel protector for pickup trucks showing my new design from the top and one end;  
FIG. 2 is a perspective view thereof shown from the bottom and opposite end;  
FIG. 3 is a perspective view of a second embodiment of the rear side panel protector for pickup trucks showing my new design from the top and one end;  
FIG. 4 is a perspective view of the embodiment of FIG. 3 shown from the bottom and opposite end;  
FIG. 5 is a perspective view of a third embodiment of the rear side panel protector for pickup trucks showing my new design from the top and one end; and,  
FIG. 6 is a perspective view of the embodiment of FIG. 5 shown from the bottom and opposite end.

**1 Claim, 3 Drawing Sheets**





**fig. 1**



**fig. 2**

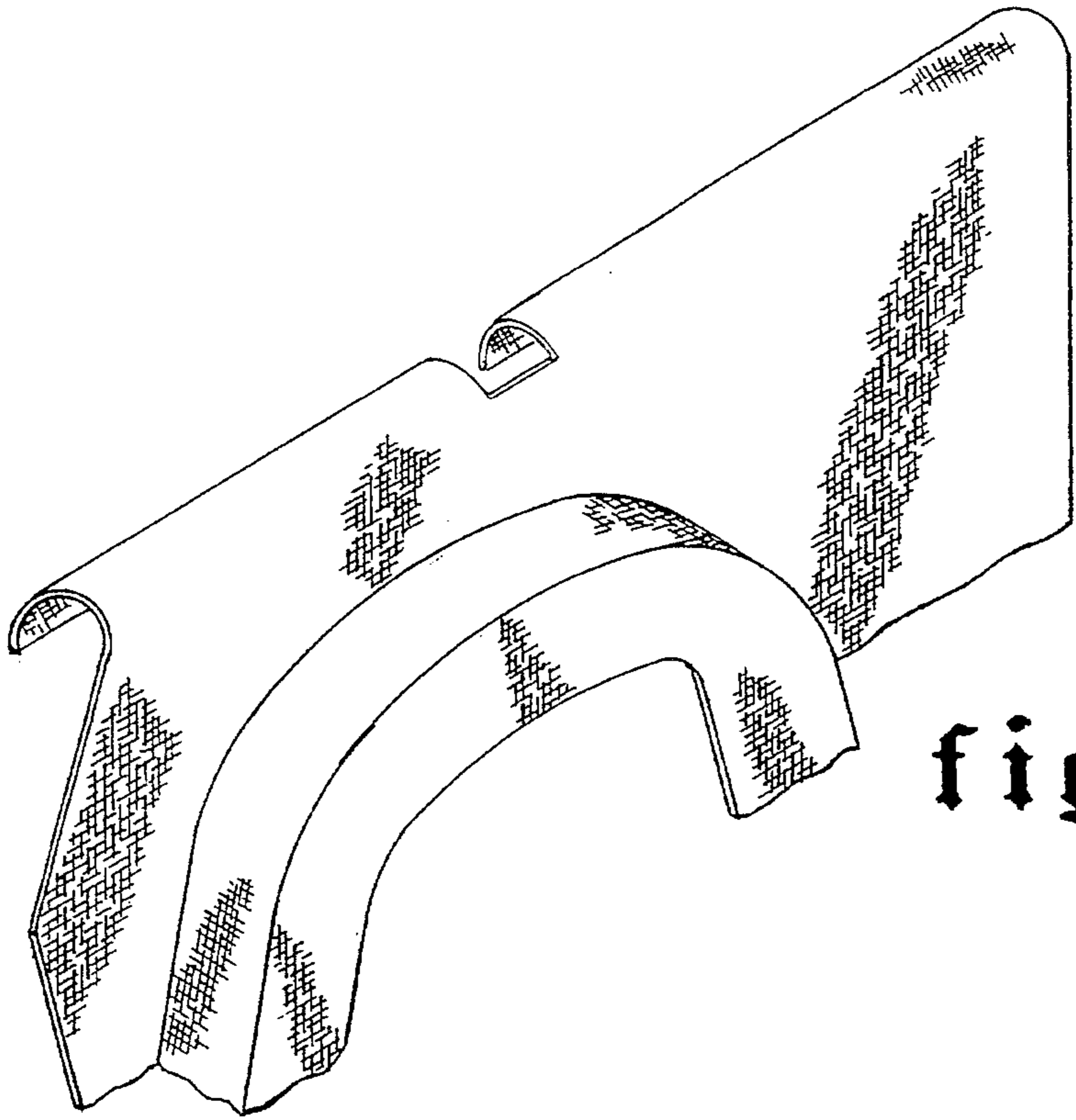


fig. 3

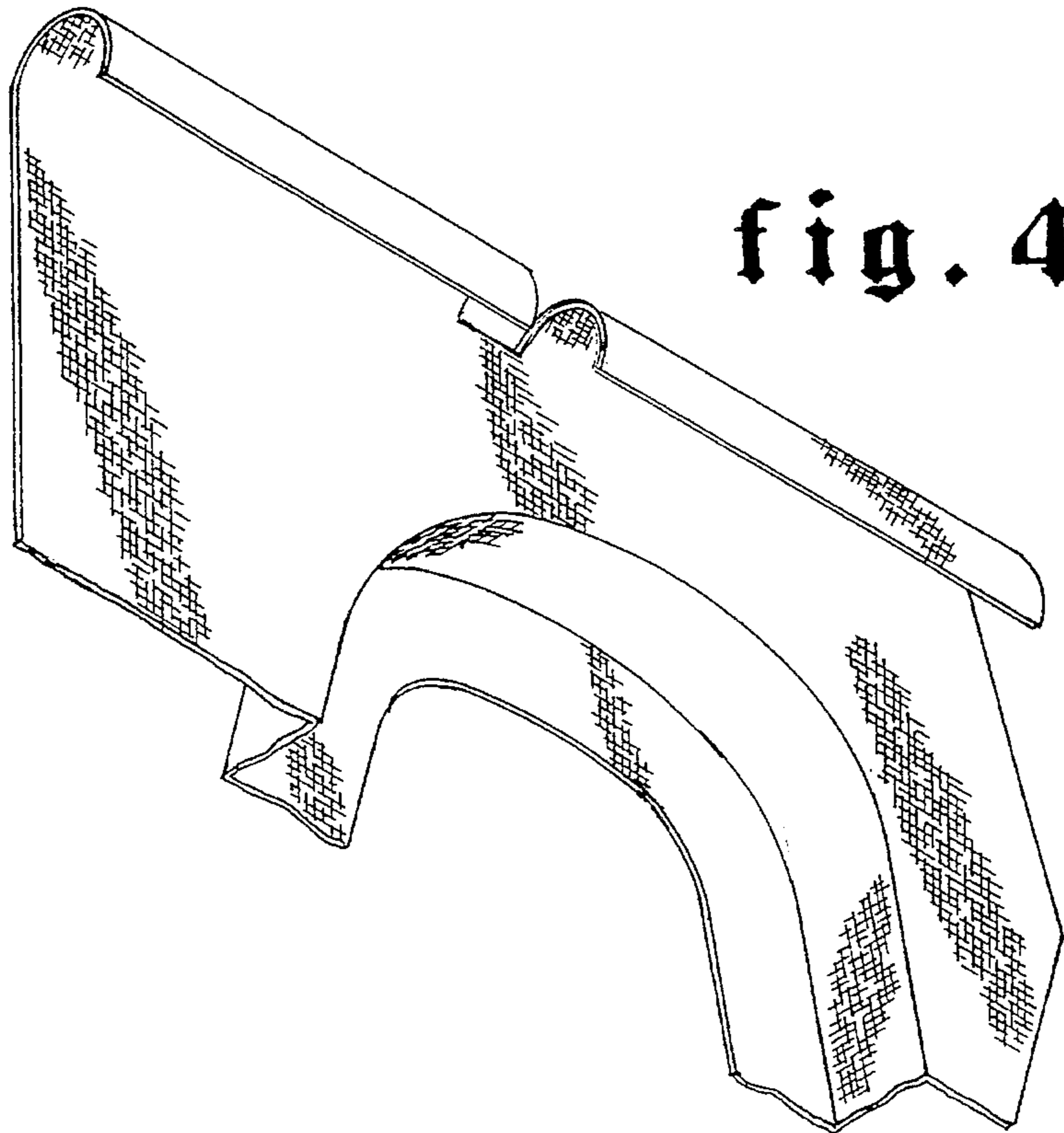
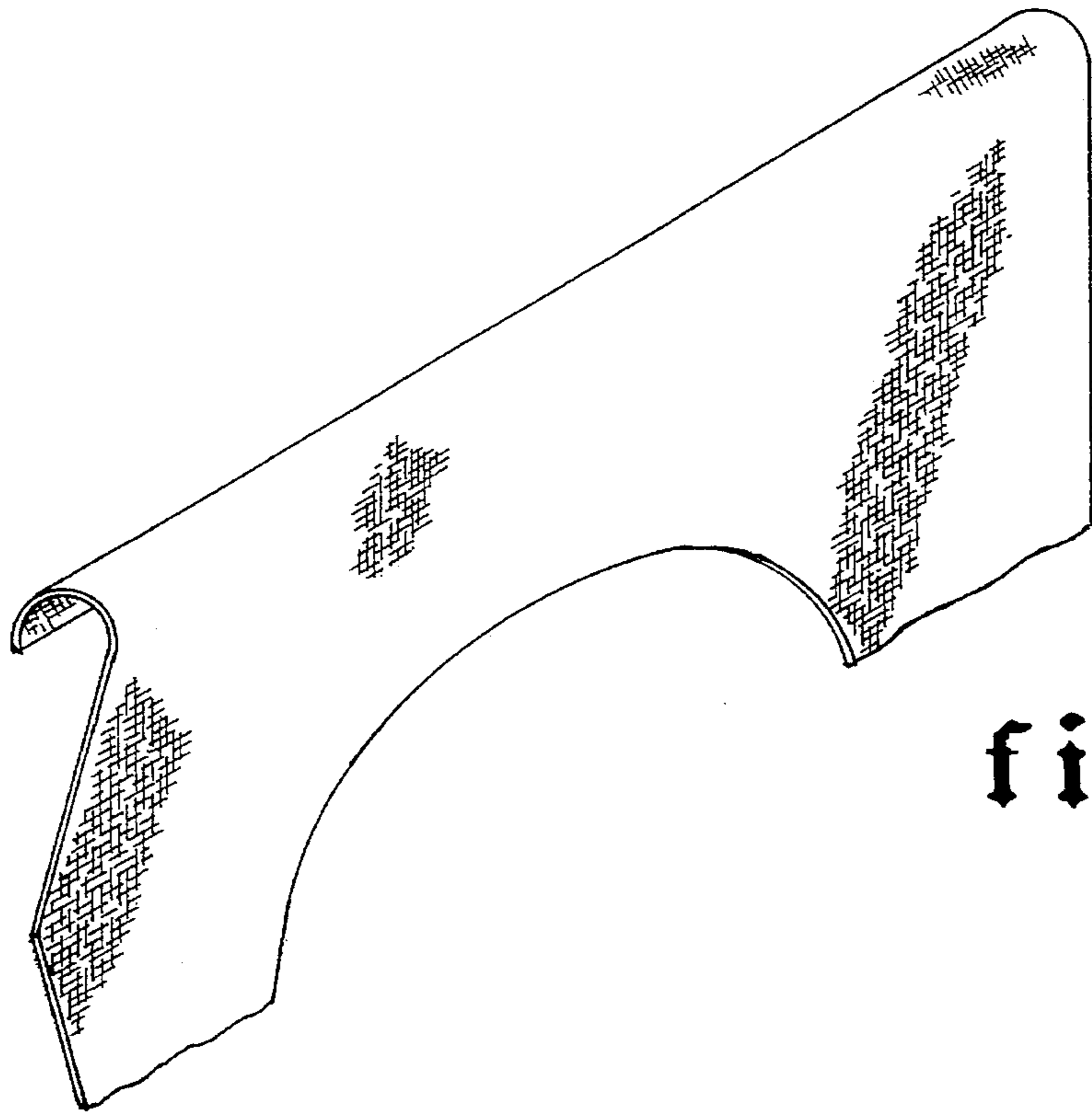
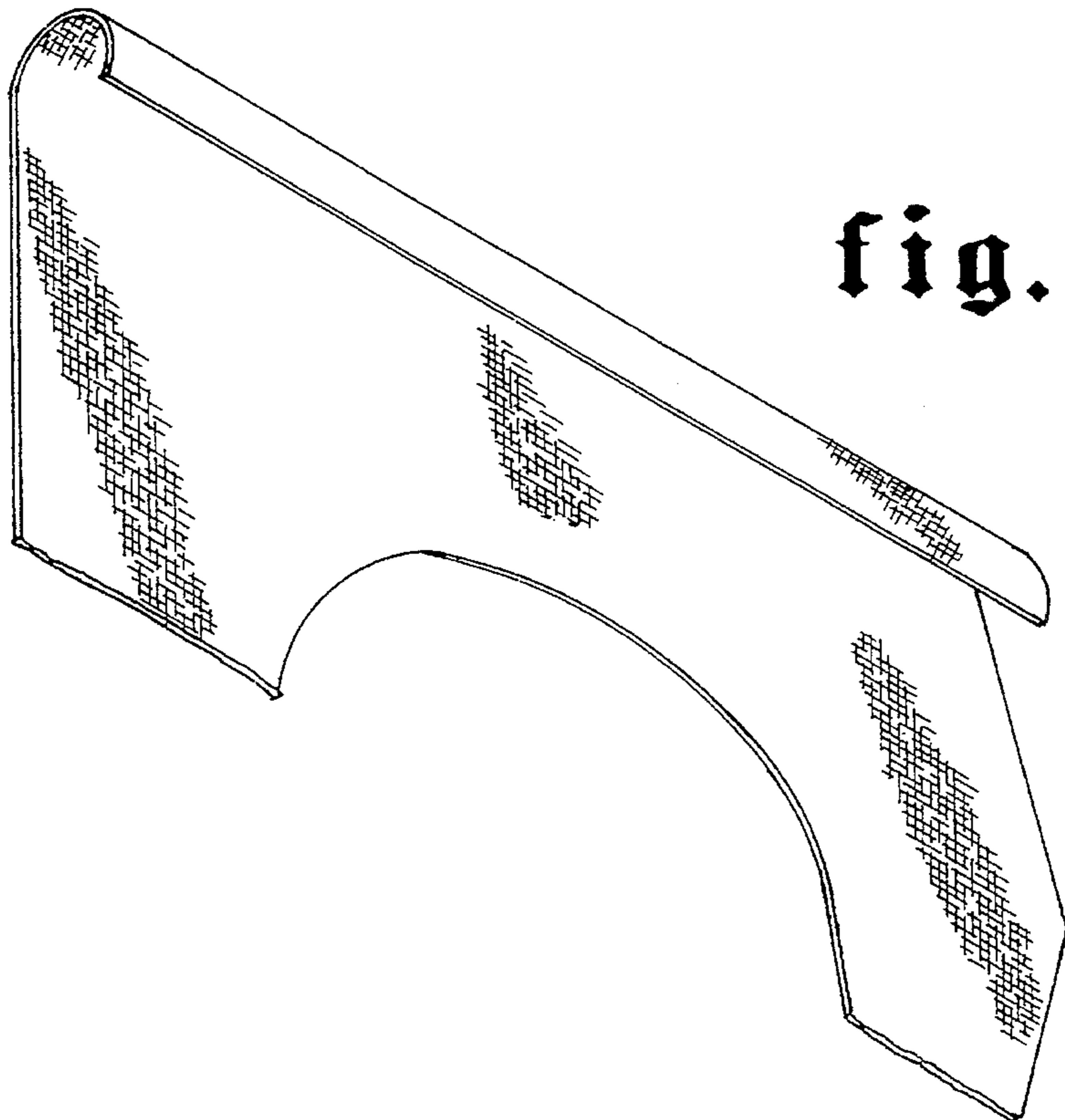


fig. 4



**fig. 5**



**fig. 6**