



US00D378806S

United States Patent [19] Phelps, III

[11] Patent Number: **Des. 378,806**

[45] Date of Patent: ****Apr. 15, 1997**

[54] **UTILITY METER FACEPLATE**

3,136,947 6/1964 Benbow 324/103 R
4,556,844 12/1985 Wason 324/156

[75] Inventor: **William C. Phelps, III**, Lawrenceville, Ga.

Primary Examiner—Antoine Duval Davis
Attorney, Agent, or Firm—Kenneth M. Massaroni

[73] Assignee: **Motorola, Inc.**, Schaumburg, Ill.

[57] **CLAIM**

[**] Term: **14 Years**

The ornamental design for a utility meter faceplate, as shown and described.

[21] Appl. No.: **50,598**

DESCRIPTION

[22] Filed: **Feb. 7, 1996**

[52] U.S. Cl. **D10/103; D10/100**

[58] Field of Search D10/99, 100, 102, D10/103; D13/177; 73/273, 431; 235/1 C, 1 D; 324/156, 157, 103 R, 113-116; 340/870.02, 870.29, 870.31

FIG. 1 is a front right isometric view of a utility meter faceplate in accordance with my new design; FIG. 2 is a front elevational view thereof; and FIG. 3 is a left side elevational view thereof; FIG. 4 is a right side elevational view thereof; FIG. 5 is a rear elevational view thereof; FIG. 6 is a top plan view thereof; and, FIG. 7 is a bottom plan view thereof.

[56] **References Cited**

U.S. PATENT DOCUMENTS

796,058 8/1905 Duncan 324/116

1 Claim, 2 Drawing Sheets

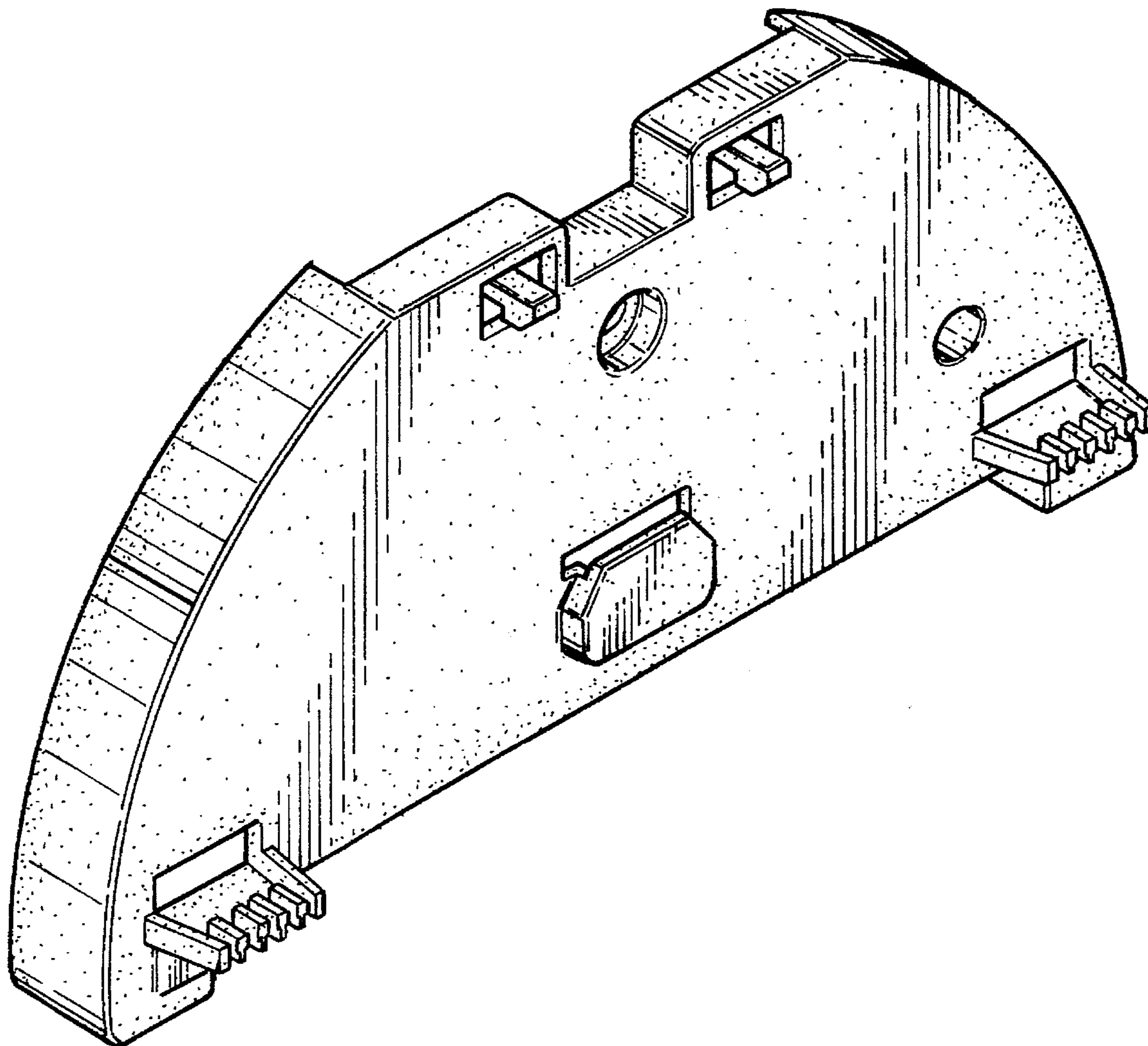


FIG-1

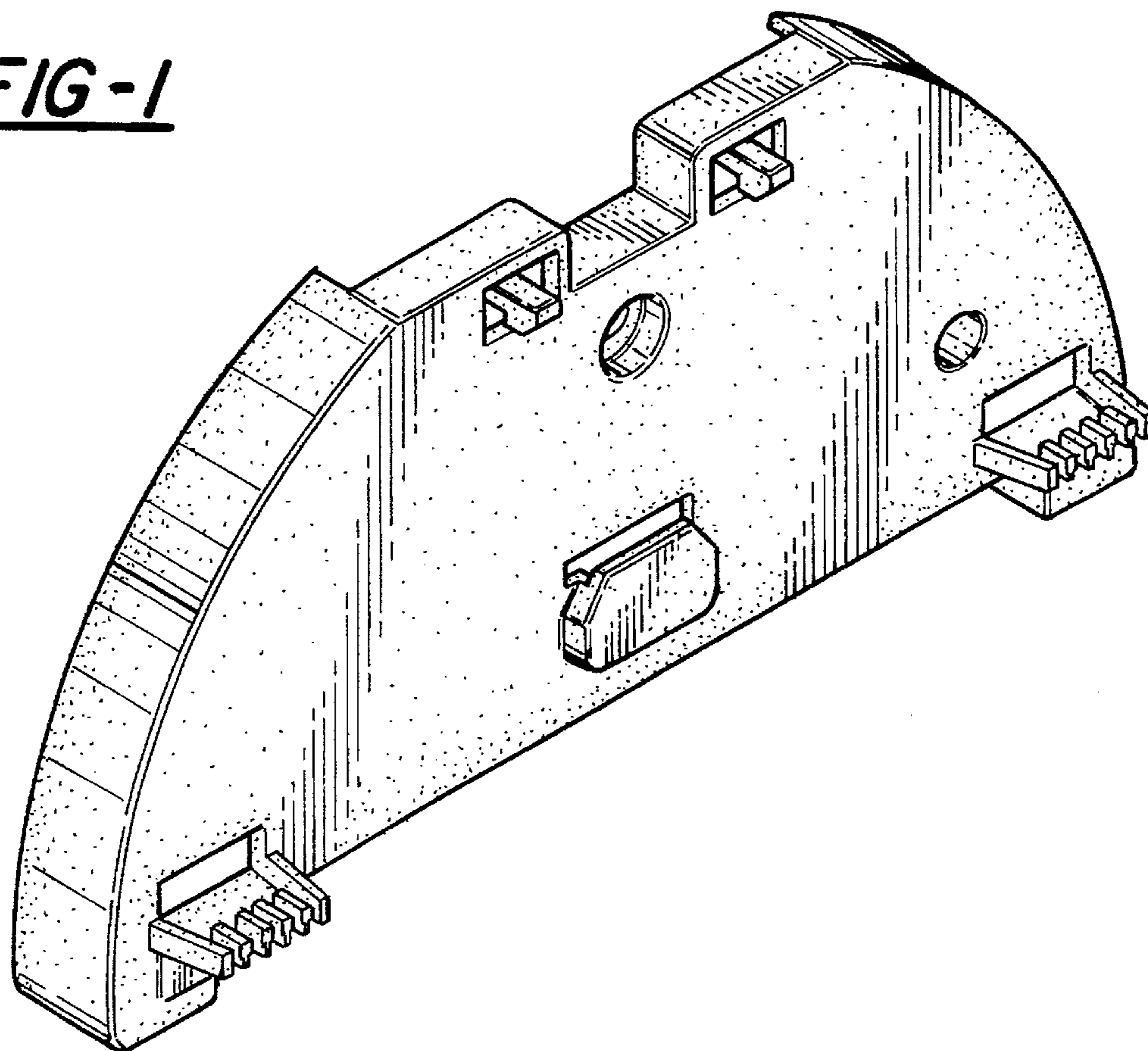
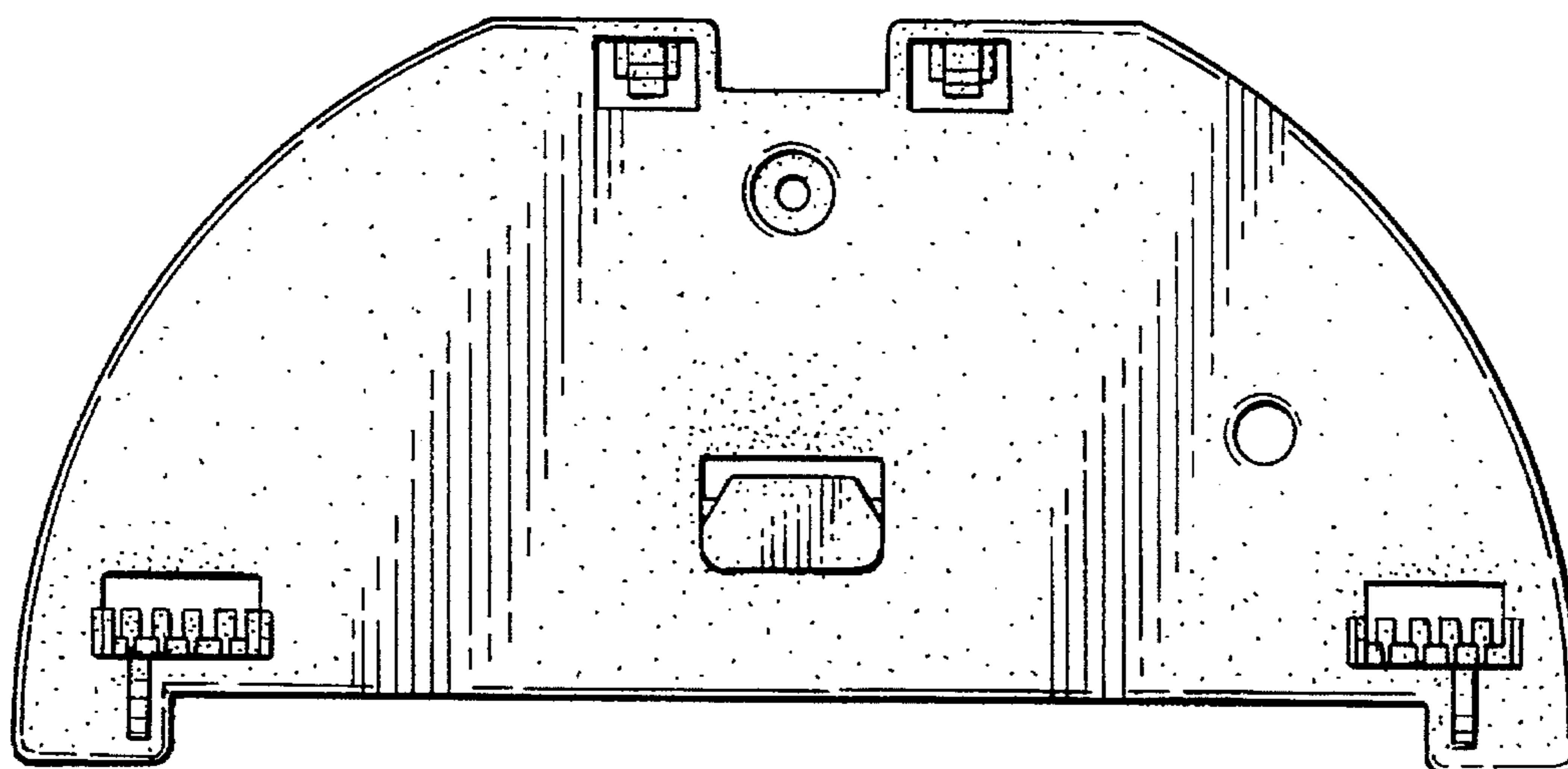


FIG -2



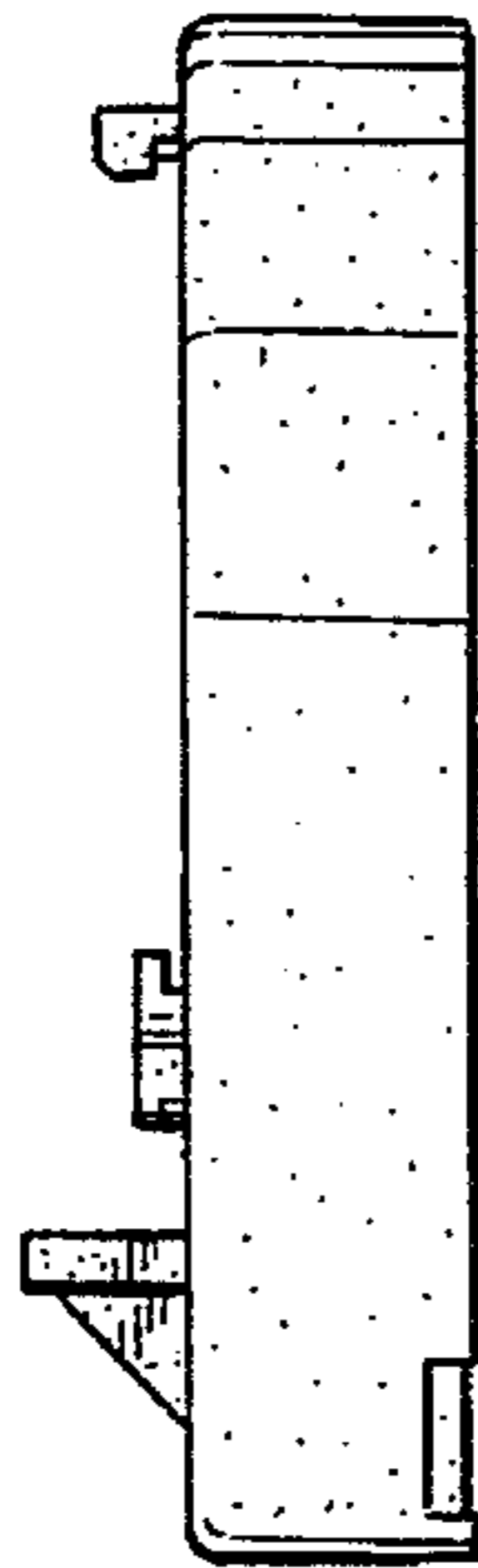


FIG - 3

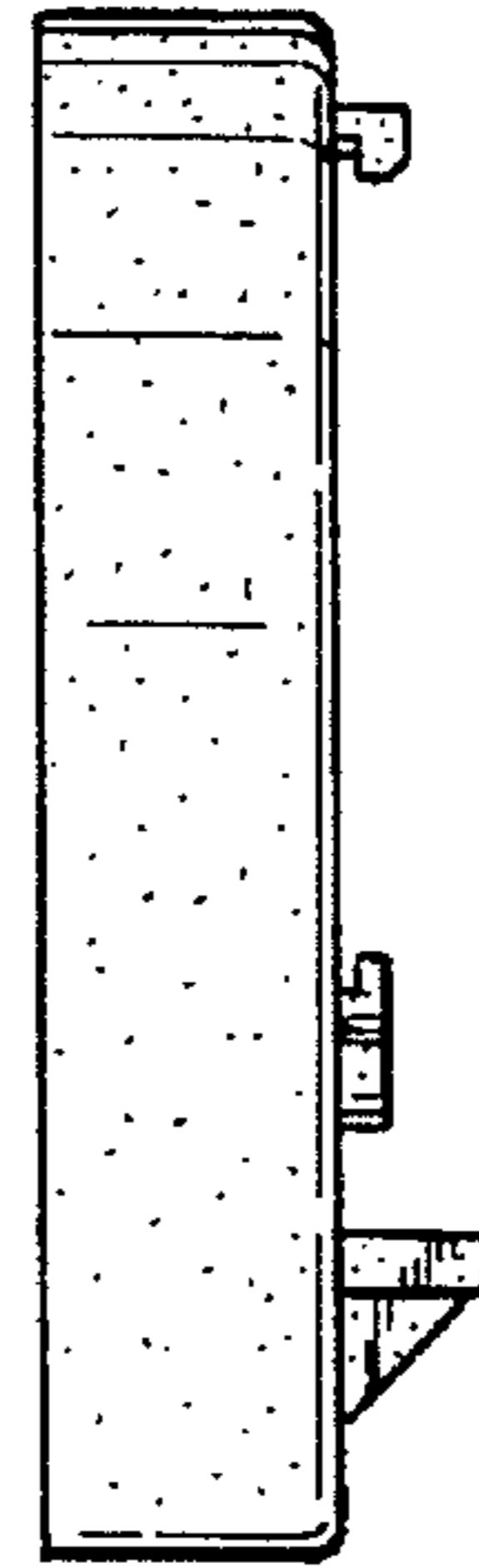


FIG - 4

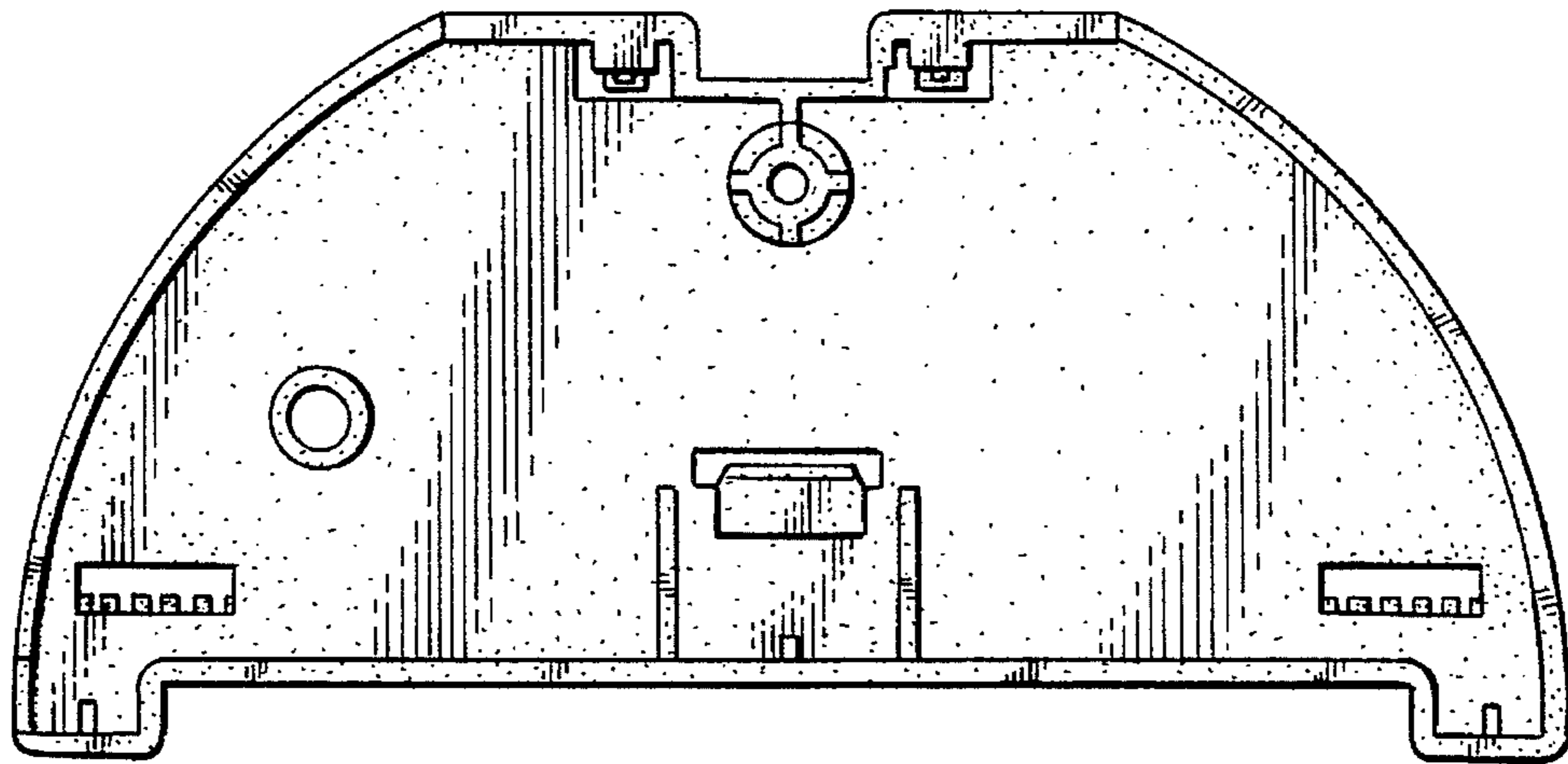


FIG - 5

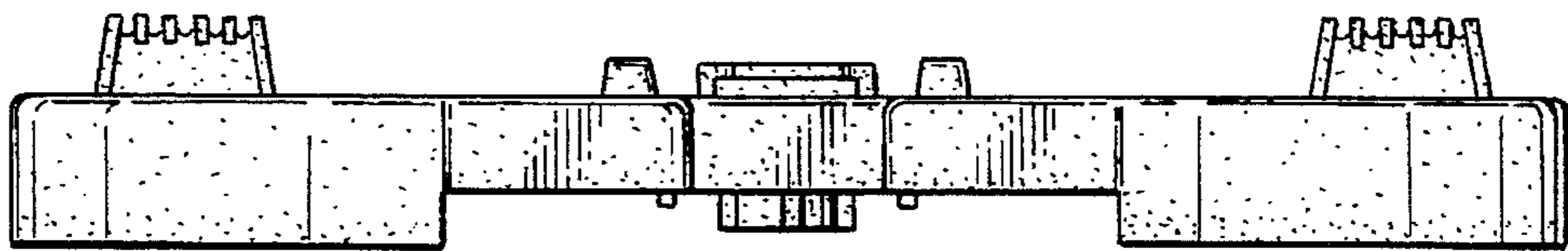


FIG - 6

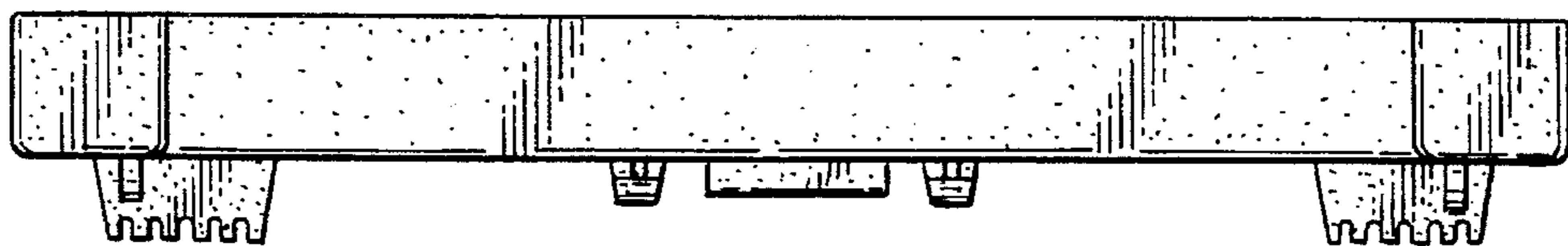


FIG - 7