



US00D378803S

United States Patent [19]

Bolen, Jr. et al.

[11] Patent Number: **Des. 378,803**

[45] Date of Patent: ****Apr. 15, 1997**

[54] **DISPENSING CLOSURE**

5,213,235 5/1993 Miranda 222/556 X

[75] Inventors: **Robert J. Bolen, Jr.**, Closter, N.J.;
Thomas R. Bolen, Queensbury, N.Y.

FOREIGN PATENT DOCUMENTS

WO8200278 2/1982 WIPO 222/556

[73] Assignee: **Bolen Packaging Corporation**, Closter, N.J.

Primary Examiner—James M. Gandy
Assistant Examiner—Cathrn B. Matta
Attorney, Agent, or Firm—Abelman, Frayne & Schwab

[**] Term: **14 Years**

[57] CLAIM

[21] Appl. No.: **47,835**

We claim the ornamental design for a dispensing closure, as shown and described.

[22] Filed: **Dec. 13, 1995**

DESCRIPTION

[52] U.S. Cl. **D9/449**; D9/452

[58] Field of Search D9/434-436, 442,
D9/444, 496-497, 449, 452, 454, 503,
504, 529; 215/235, 236, 300; 222/569

FIG. 1 is a top plan view of the dispensing closure—showing our new design;

FIG. 2 is a front perspective view thereof;

FIG. 3 is a perspective view thereof;

FIG. 4 is a perspective view thereof with the lid open;

FIG. 5 is a side plan view of the dispensing closure of FIG. 1, the opposite side being a mirror image thereof;

FIG. 6 is a rear plan view thereof; and,

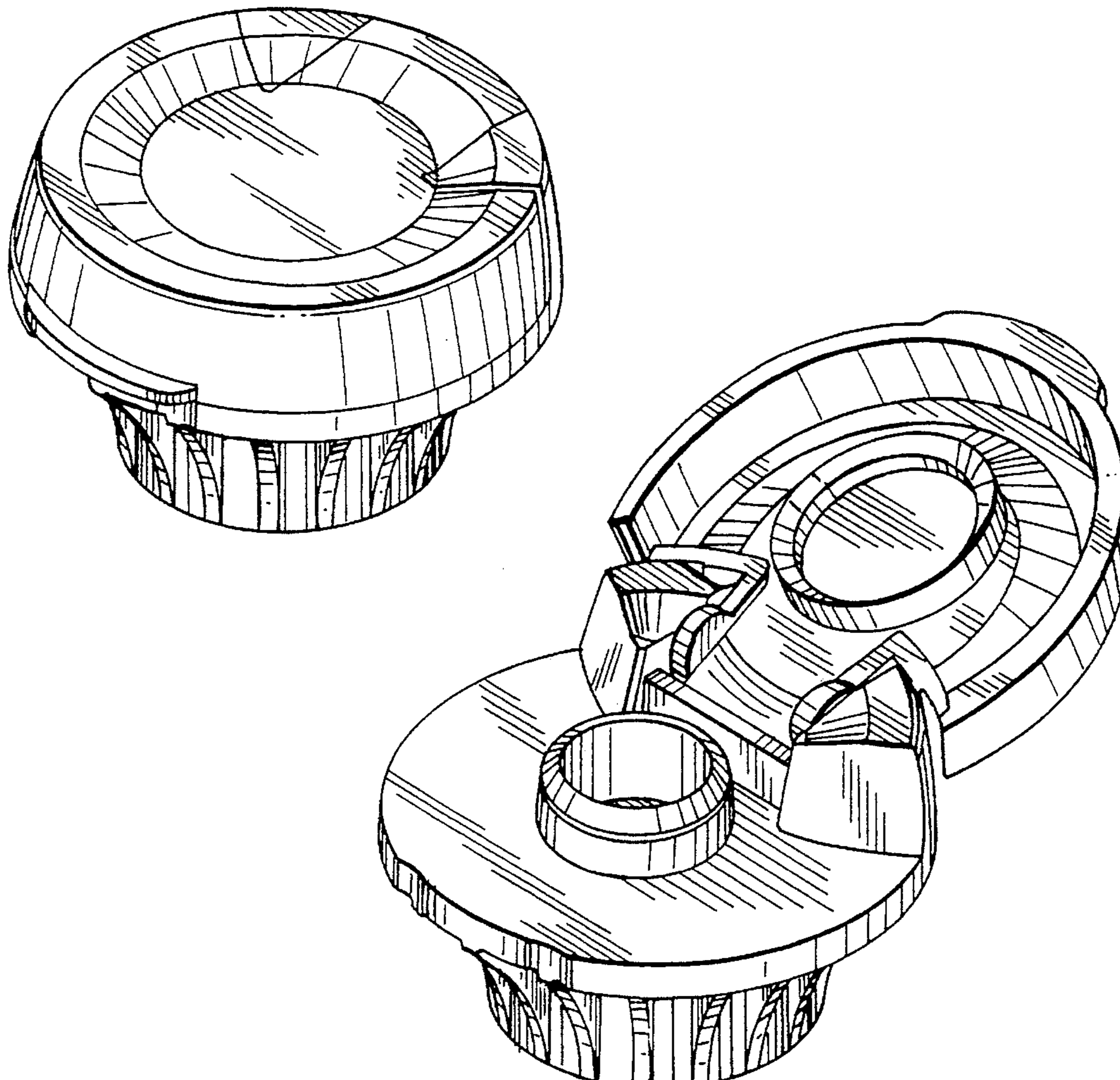
FIG. 7 is a bottom view thereof.

[56] References Cited

U.S. PATENT DOCUMENTS

H803	8/1990	Sherrington	D9/435
D. 205,425	8/1966	Porter	D9/447
D. 216,679	3/1970	Torongo et al.	D9/442
D. 306,701	3/1990	Beck	D9/446
D. 320,746	10/1991	Bolen, Jr. et al.	D9/446
4,568,006	2/1986	Mueller et al.	222/567 X

1 Claim, 2 Drawing Sheets



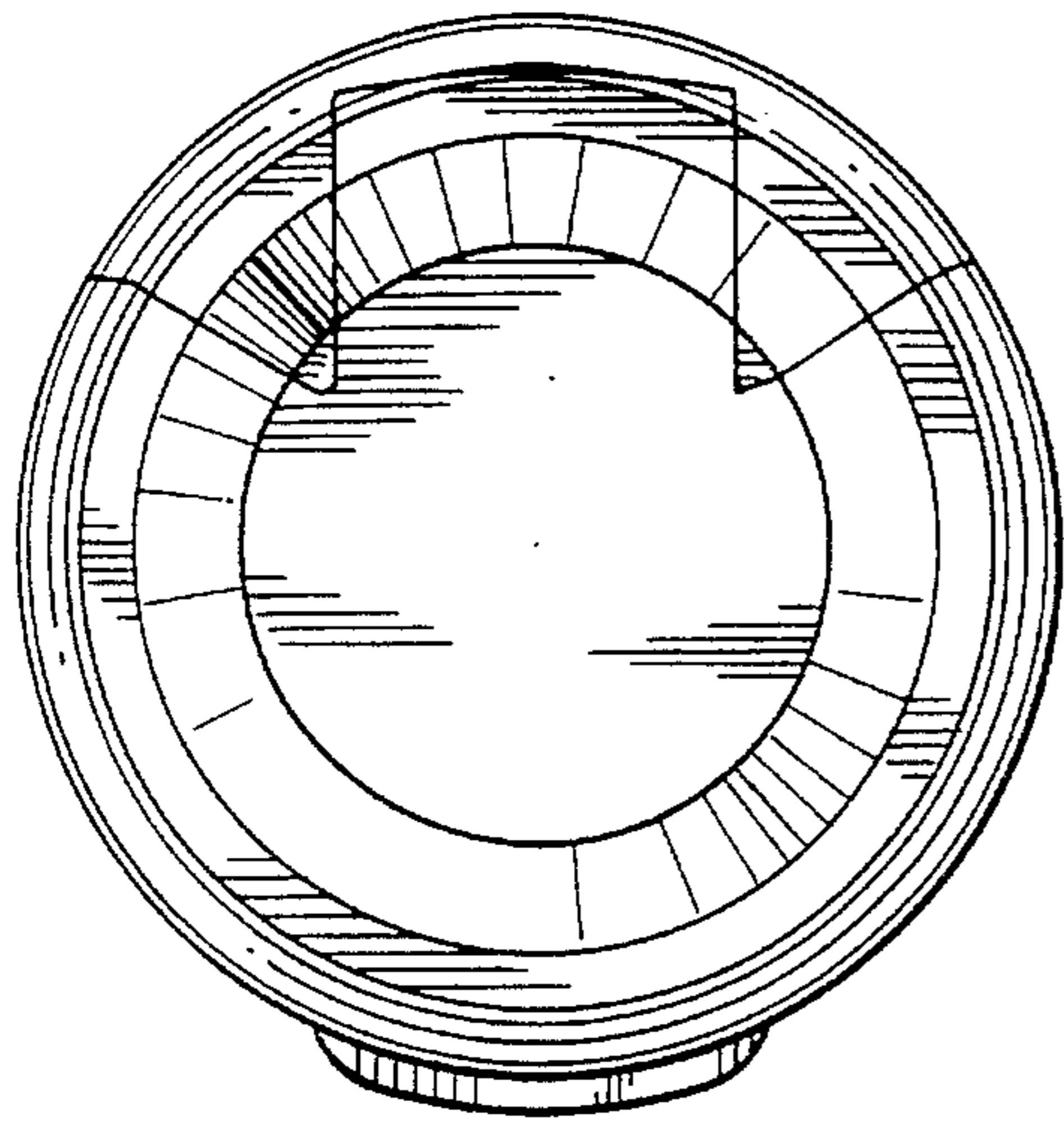


FIG. 1

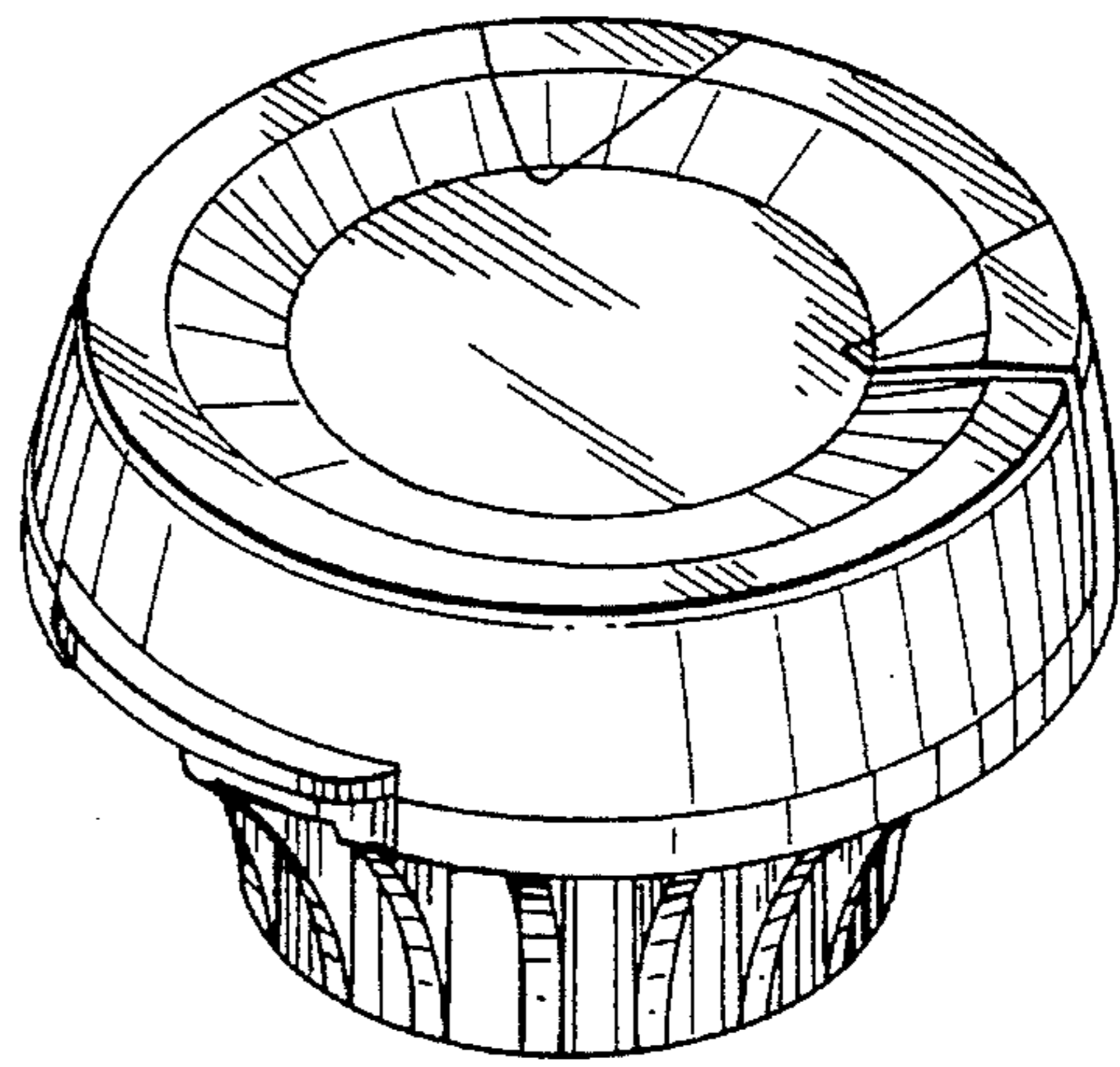


FIG. 2

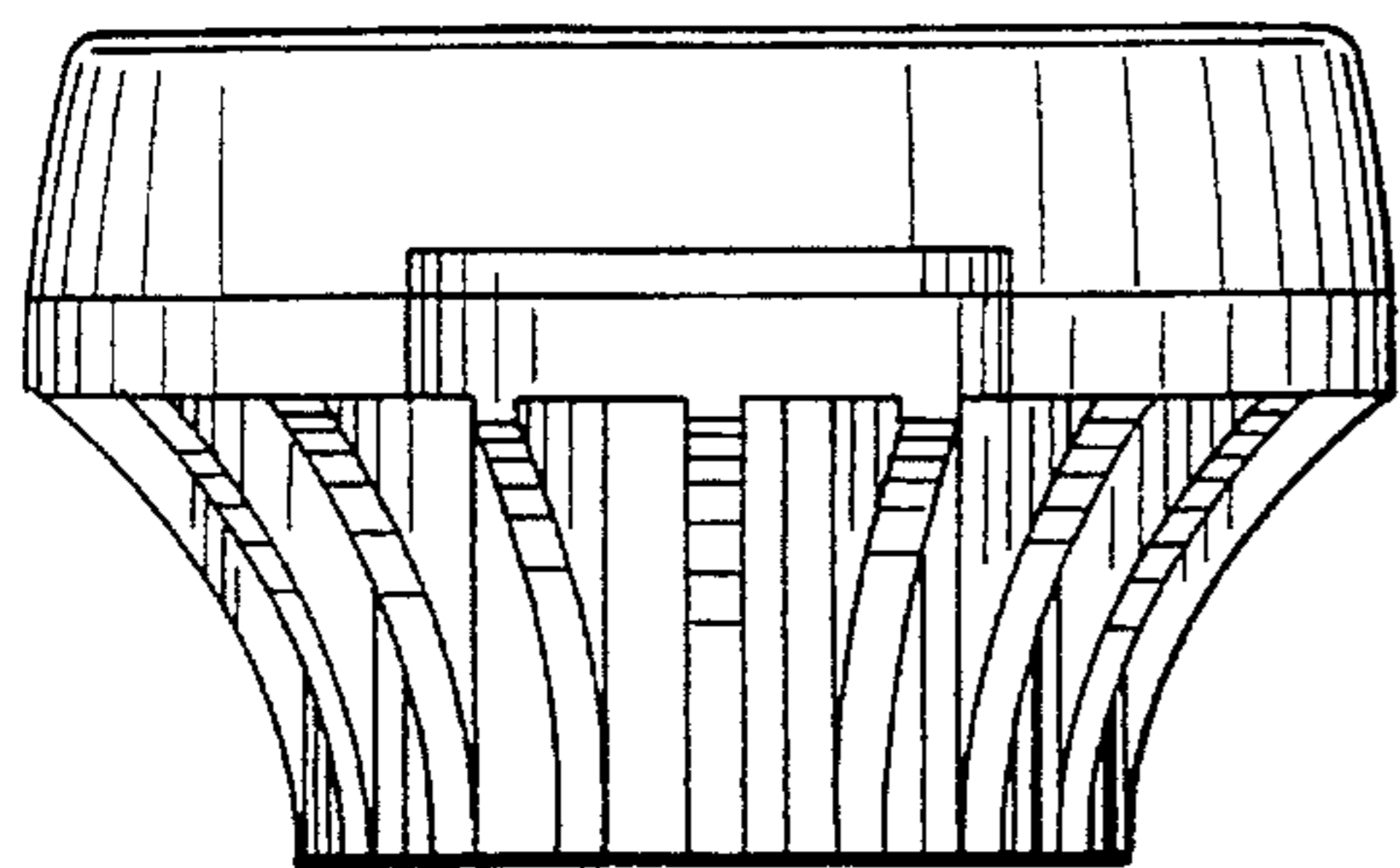


FIG. 3

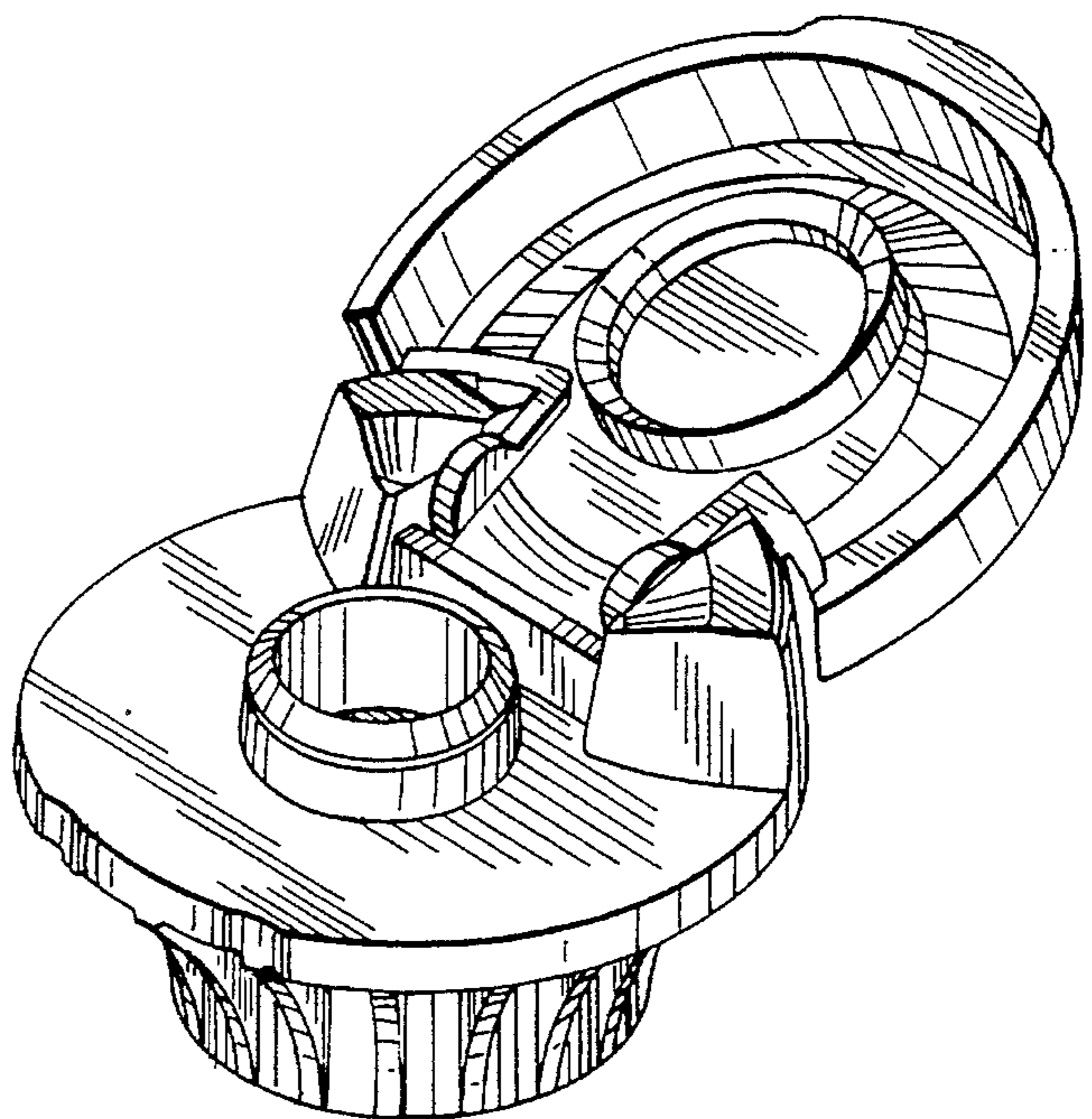


FIG. 4

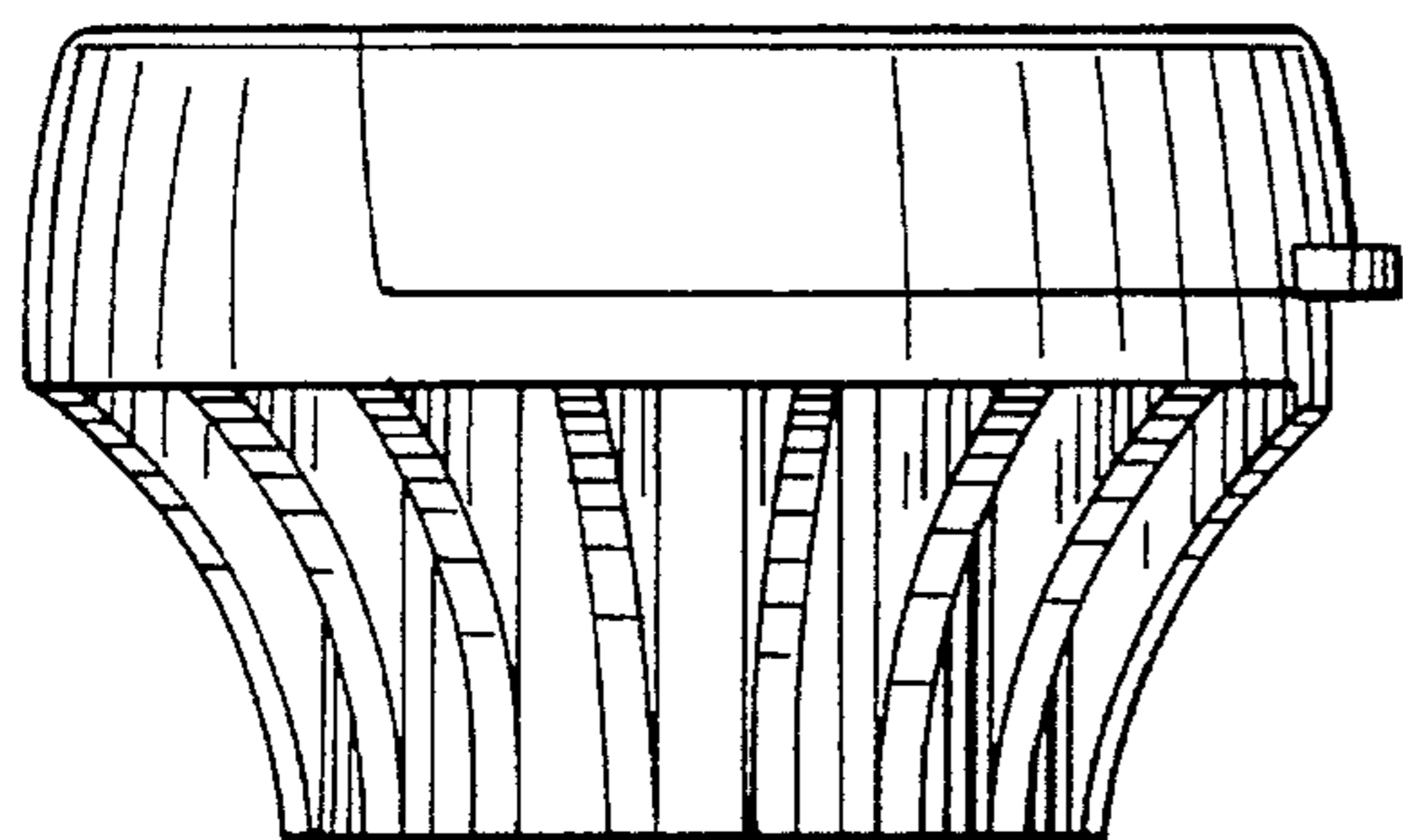


FIG. 5

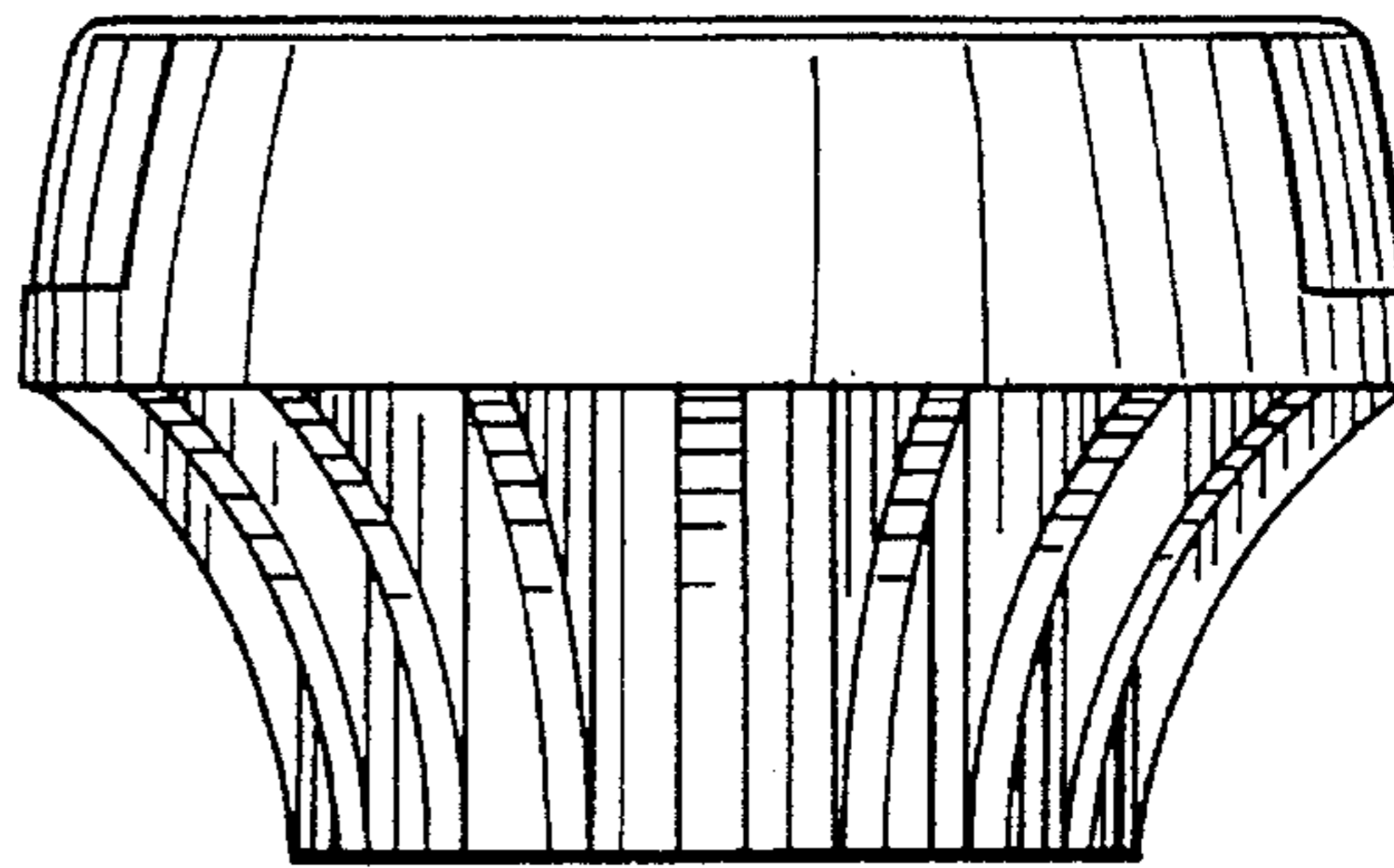


FIG. 6

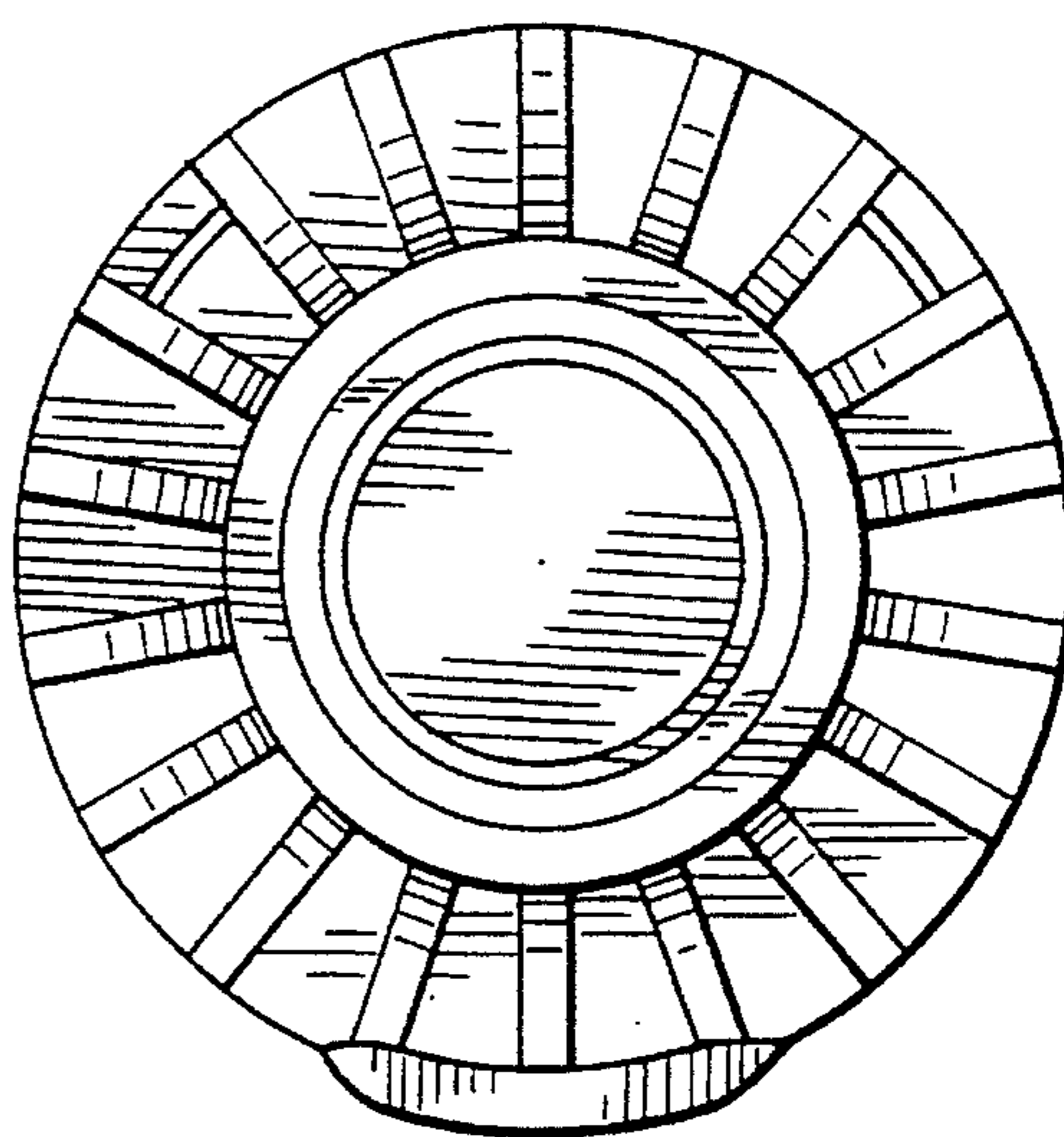


FIG. 7