



US00D378802S

United States Patent [19]
Corcoran

[11] **Patent Number: Des. 378,802**

[45] **Date of Patent: **Apr. 15, 1997**

[54] **AEROSOL ACTUATOR CAP**
[75] Inventor: **Michael Corcoran**, Newcastle, United Kingdom
[73] Assignee: **Reckitt & Colman Products Limited**, London, England
[**] Term: **14 Years**
[21] Appl. No.: **42,255**
[22] Filed: **Aug. 4, 1995**
[30] **Foreign Application Priority Data**
Feb. 7, 1995 [GB] United Kingdom 2045033
[52] **U.S. Cl.** **D9/448**
[58] **Field of Search** D9/434-6, 444, D9/445, 497, 448, 503, 4, 529, 300; 222/402.1, 402.12, 402.13

D. 308,944 7/1990 Lasorso, Jr. D9/448
D. 313,345 1/1991 Wefler D9/300
D. 352,901 11/1994 Ufferfilge et al. D9/448
3,245,588 4/1966 Sagarin 222/541.6 X
3,738,541 6/1973 Greenebaum, II 222/402.1
4,620,646 11/1986 Crapser 222/402.13 X

Primary Examiner—James M. Gandy
Assistant Examiner—Cathron B. Matta
Attorney, Agent, or Firm—Frederick H. Rabin

[57] **CLAIM**

The ornamental design for an aerosol actuator cap, as shown and described.

DESCRIPTION

FIG. 1 is a front perspective view of an aerosol actuator cap showing my new design;
FIG. 2 is a rear perspective view thereof;
FIG. 3 is a side perspective view thereof;
FIG. 4 is a top plan view thereof; and,
FIG. 5 is a side view thereof, the other side being a mirror image.

[56] **References Cited**

U.S. PATENT DOCUMENTS

D. 277,648 2/1985 Jones D9/445
D. 291,782 9/1987 O'Neil, Jr. et al. D9/448

1 Claim, 2 Drawing Sheets

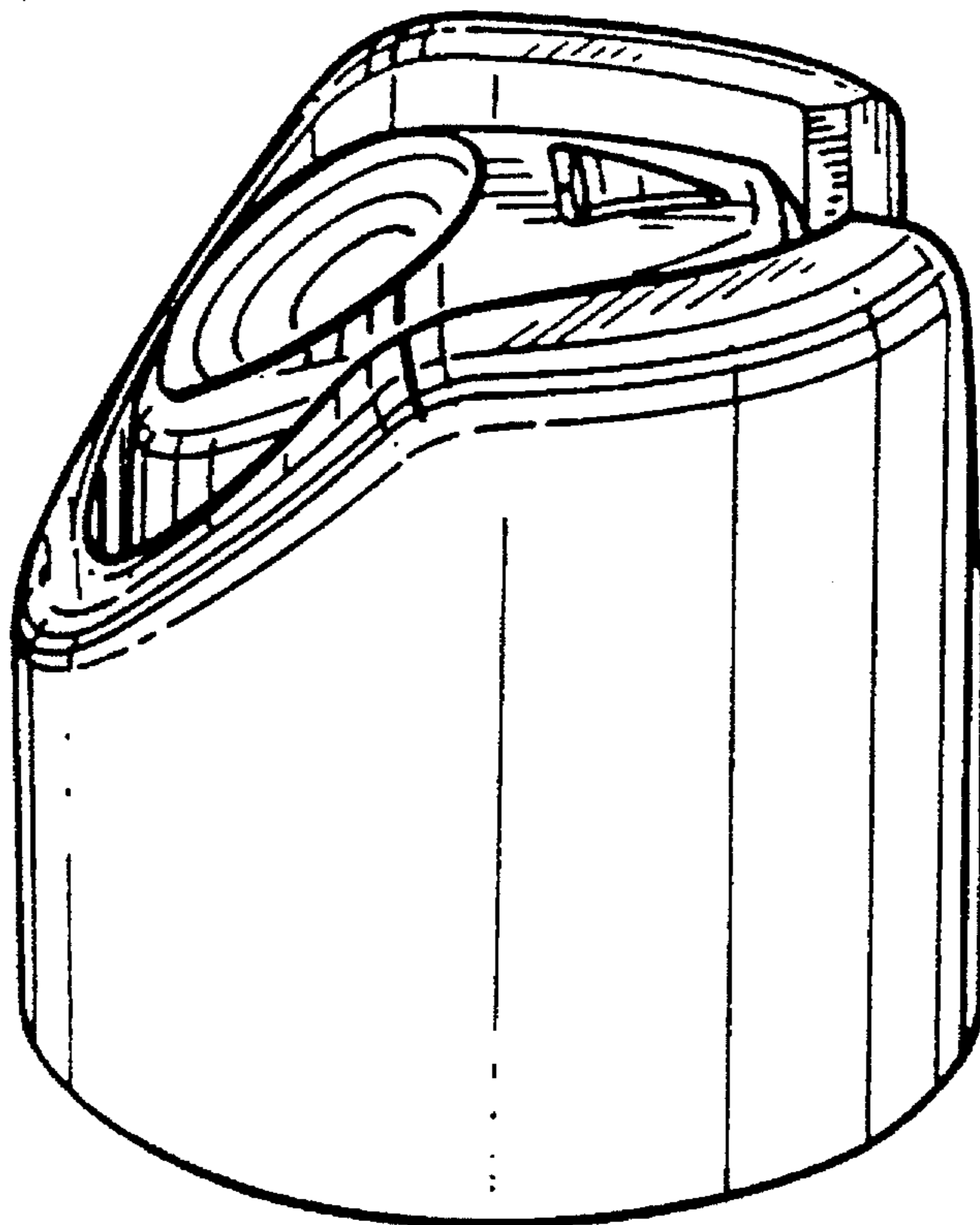


FIG. 1

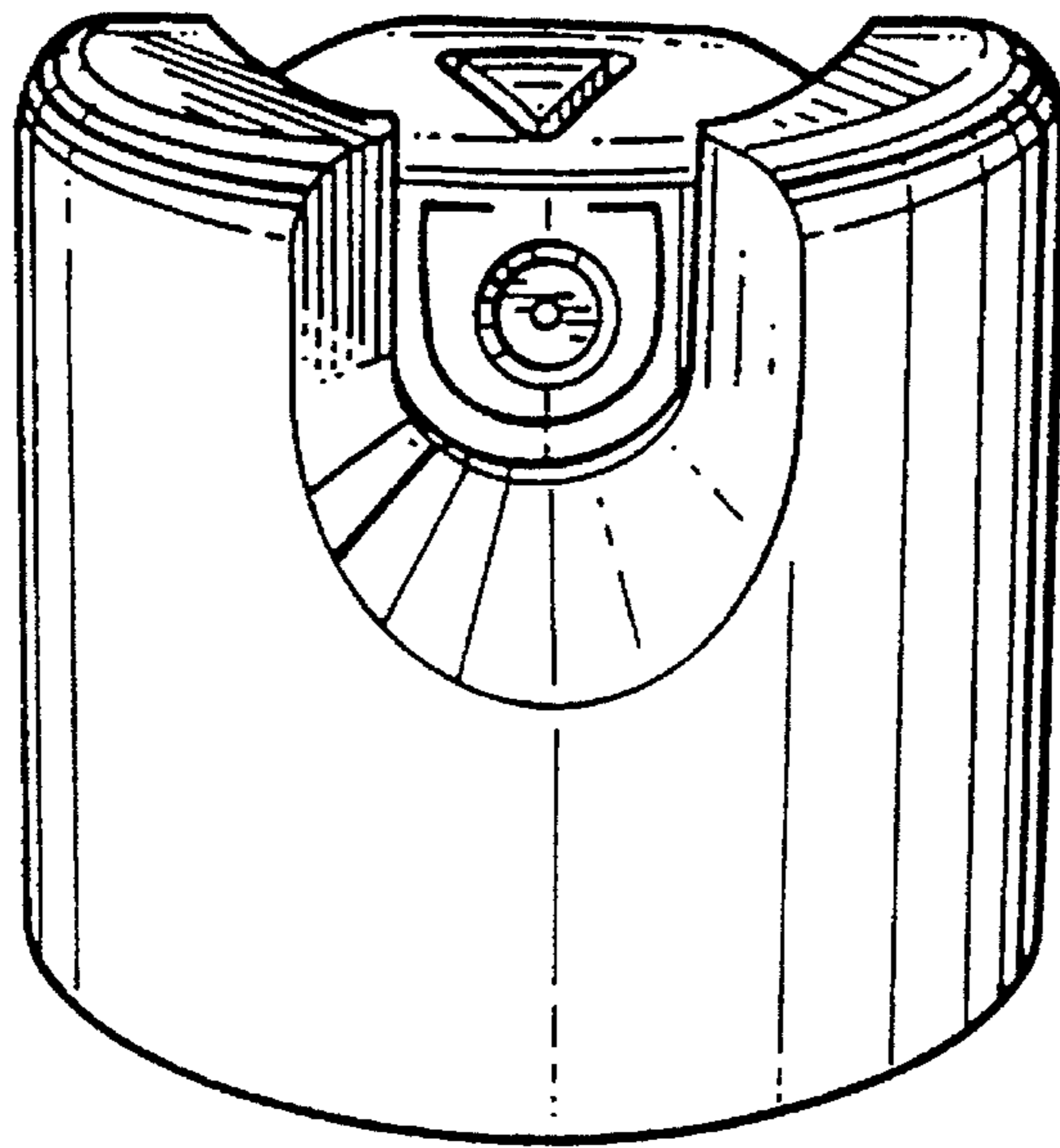


FIG. 2

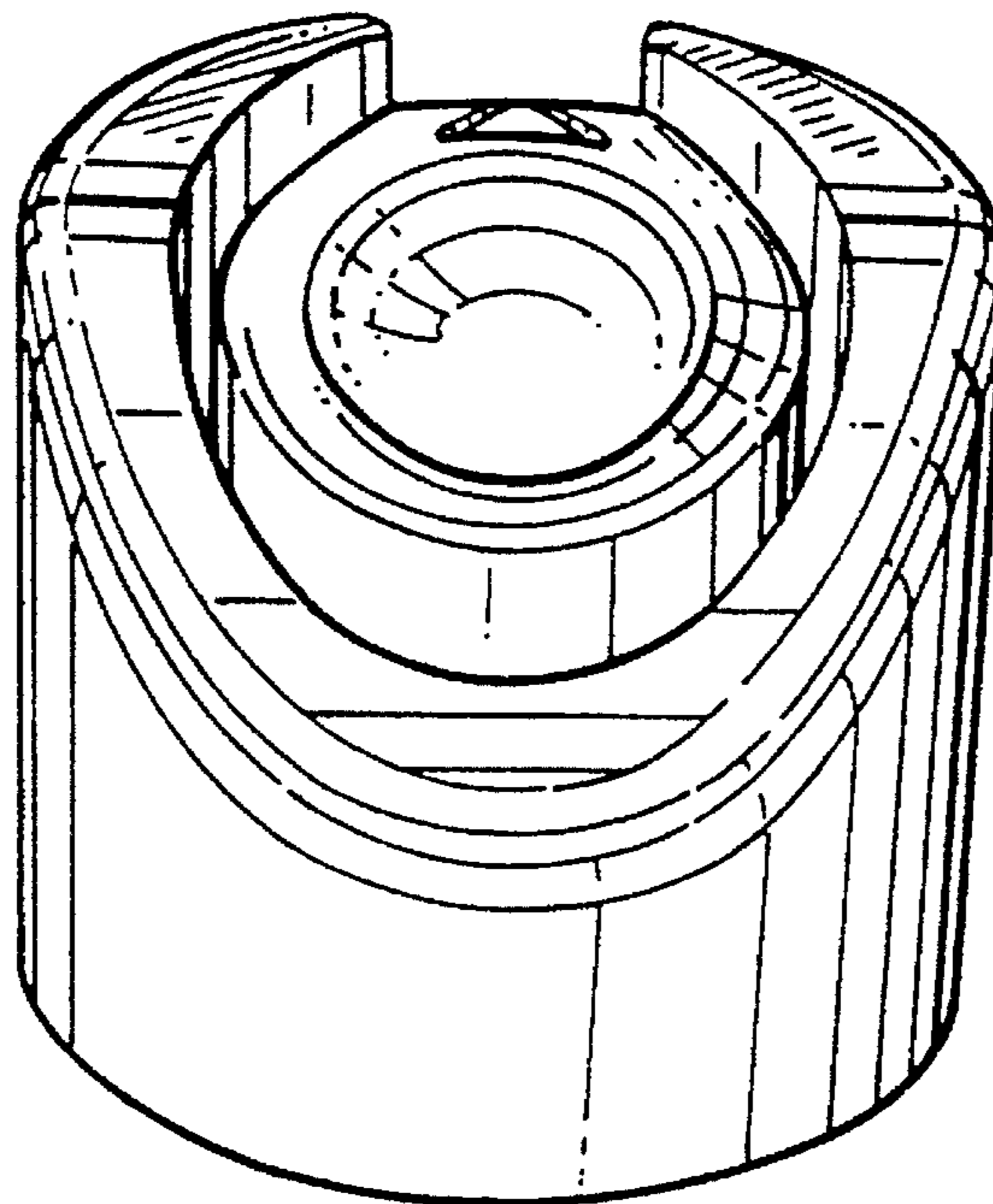


FIG. 3

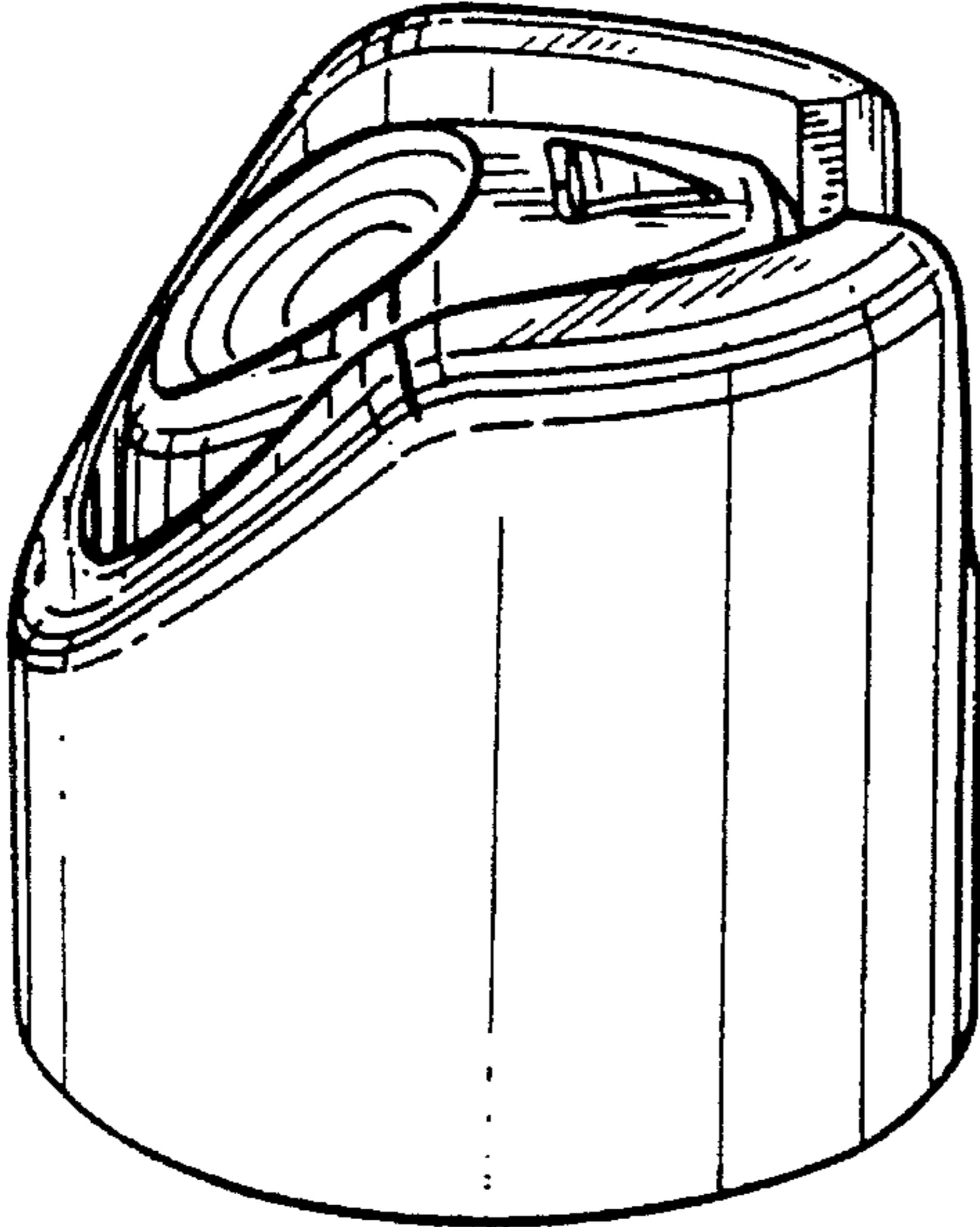


FIG. 4

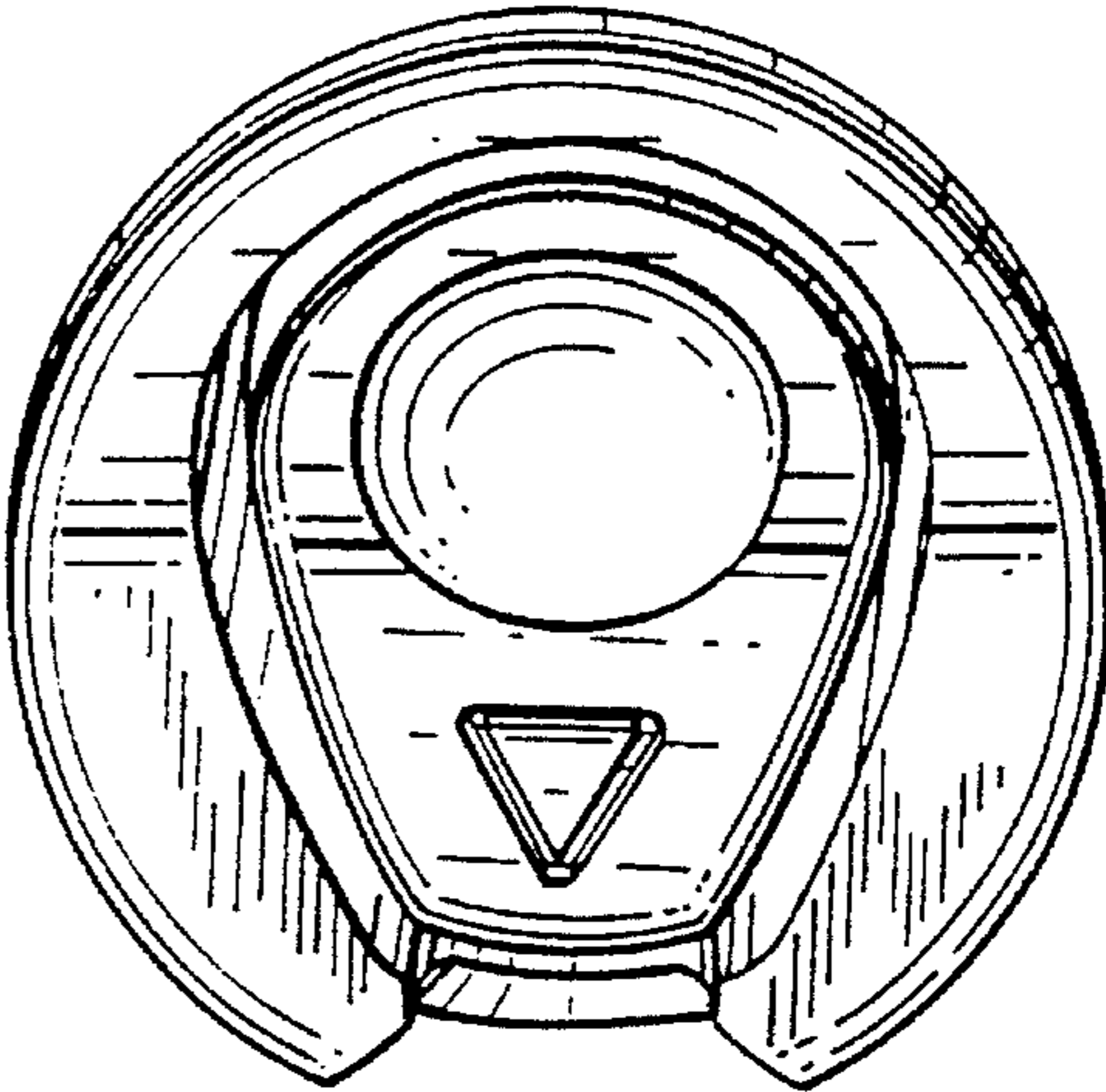


FIG. 5

