



US00D378797S

United States Patent [19]

Poremba et al.

[11] Patent Number: **Des. 378,797**

[45] Date of Patent: ****Apr. 15, 1997**

[54] TOOL HANDLE

[75] Inventors: **Charles A. Poremba**, Wadsworth, Ill.;
Joseph A. Sorensen, Lincoln; **Anthony B. Fuller**, DeWitt, both of Nebr.

[73] Assignee: **American Tool Companies, Inc.**,
Kenosha, Wis.

[**] Term: **14 Years**

[21] Appl. No.: **35,543**

[22] Filed: **Mar. 1, 1995**

[52] U.S. Cl. **D8/107**

[58] Field of Search D8/107, 14, 83,
D8/21; 81/177.1, 177.4, 177.8, 436, 488,
489

[56] References Cited

U.S. PATENT DOCUMENTS

D. 285,769	9/1986	Flory	D8/107
D. 339,048	9/1993	Baum	D8/107
D. 339,732	9/1993	Stewart	D8/107
4,787,276	11/1988	Condon	81/177.1
4,899,415	2/1990	Wheeler	81/177.1

FOREIGN PATENT DOCUMENTS

2339320	8/1977	France	81/177.1
---------	--------	--------	-------	----------

OTHER PUBLICATIONS

American Tool Companies, Inc. catalog, "VISE-GRIP® QUICK-GRIP® Prosnip® Unibit® Chesco® Catalog," published by American Tool Companies, Inc., pp. 30-31. The year of publication is believed to be 1994 based on the copyright notice.

Primary Examiner—Philip S. Hyder
Attorney, Agent, or Firm—Brinks Hofer Gilson & Lione

[57] CLAIM

The ornamental design for a tool handle, as shown and described.

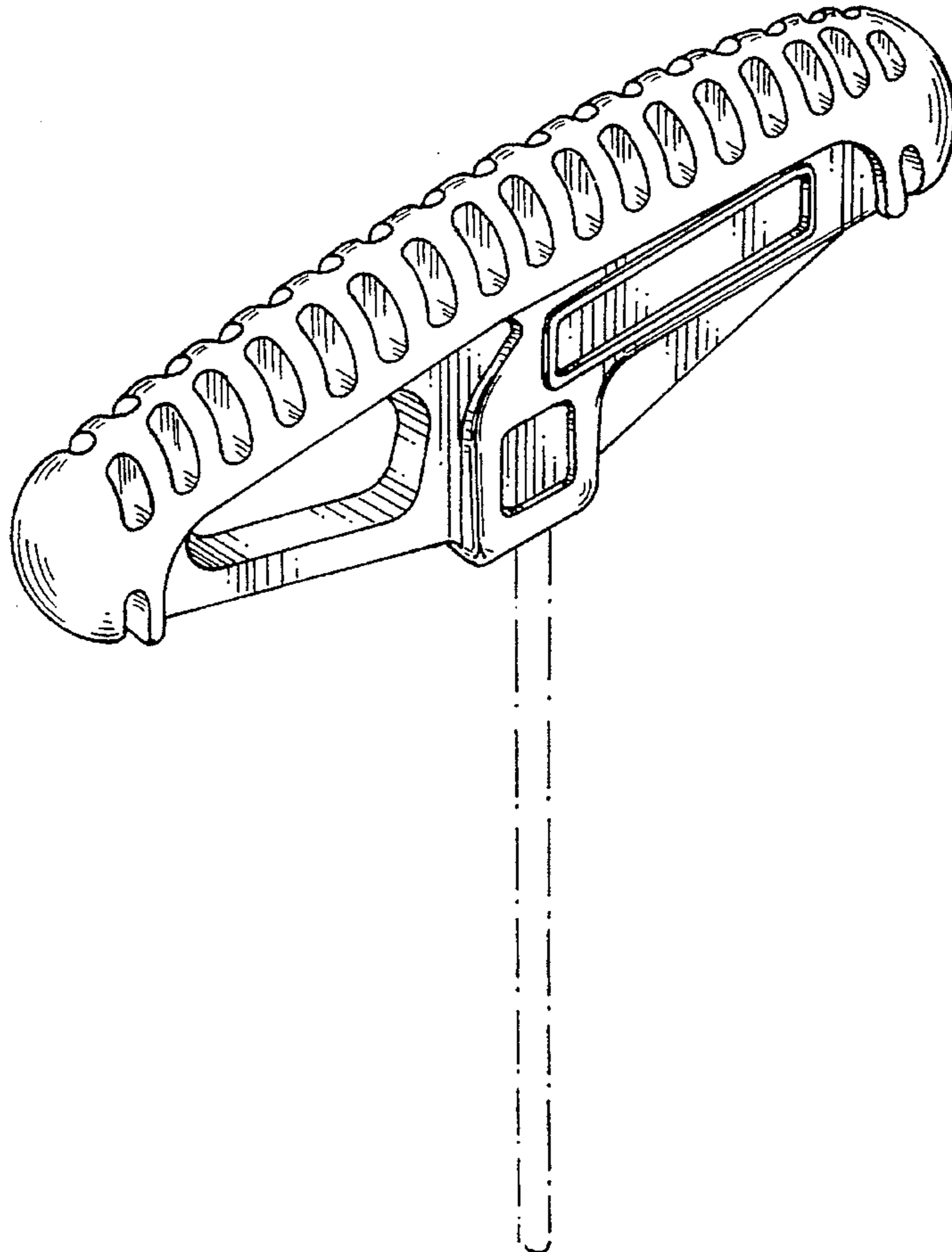
DESCRIPTION

FIG. 1 is a perspective view showing a tool handle which incorporates our new design;
FIG. 2 is a front view thereof;
FIG. 3 is a top view thereof;
FIG. 4 is a right side view thereof;
FIG. 5 is a rear view thereof; and,
FIG. 6 is a bottom view thereof.

The left side view (not shown) is identical to the right side view of FIG. 4.

The broken line portions of the drawings are for illustrative purposes only and form no part of the claimed design.

1 Claim, 2 Drawing Sheets



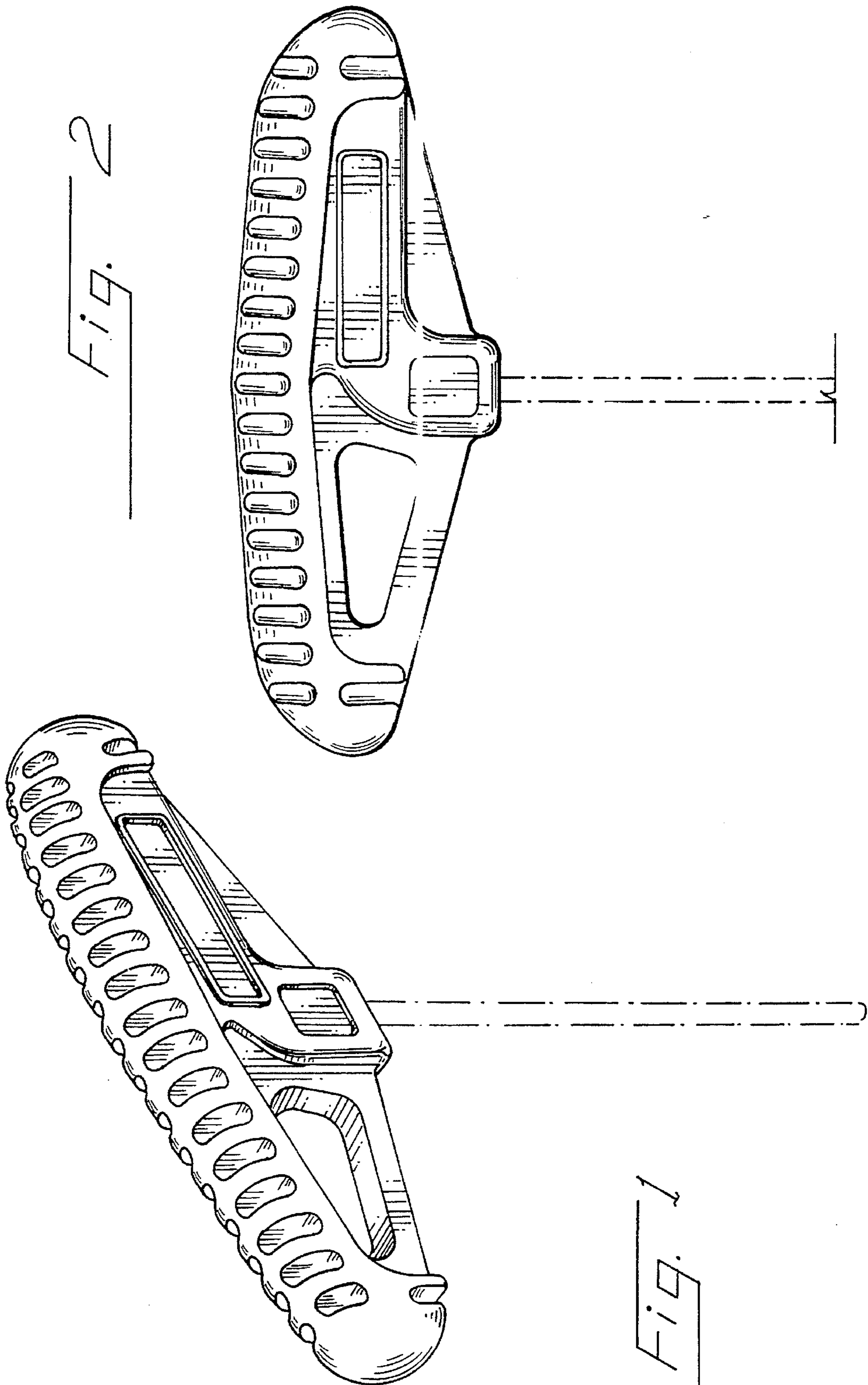


FIG. 2

FIG. 1

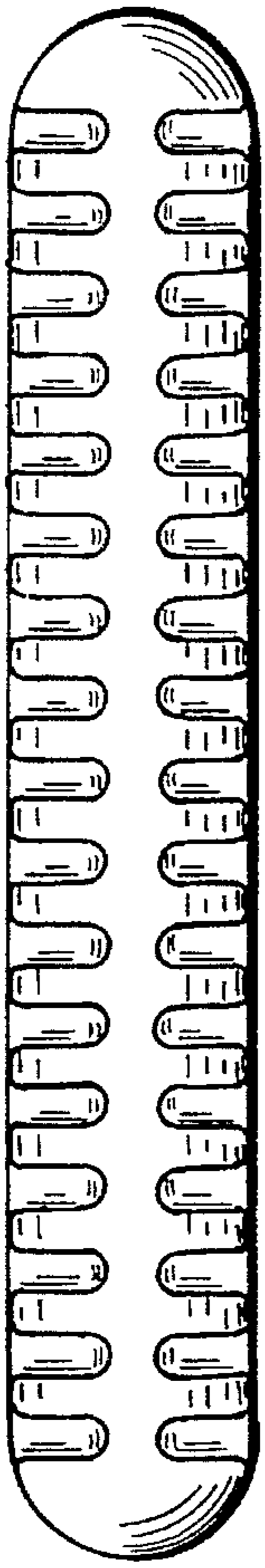


FIG. 3

FIG. 4

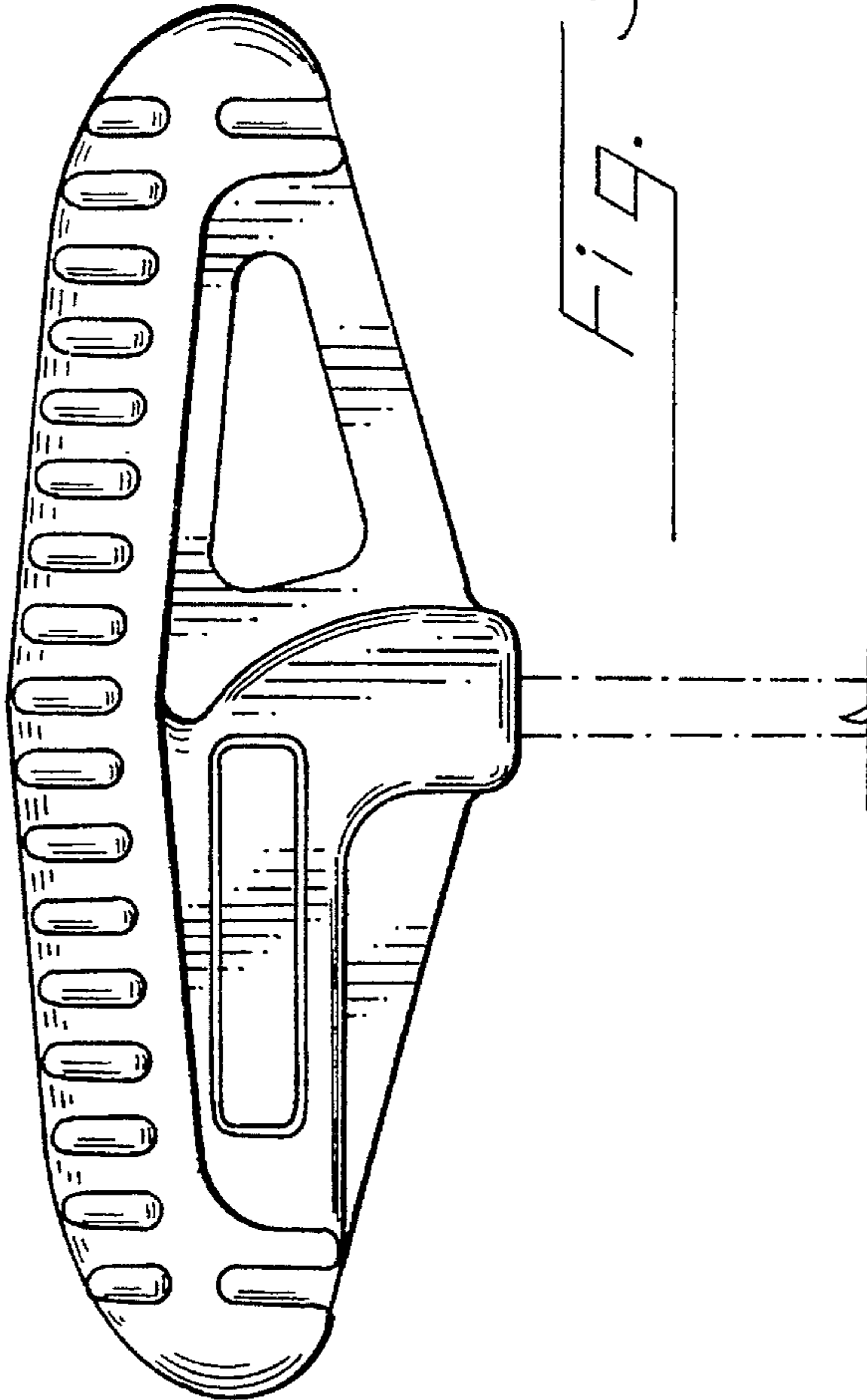
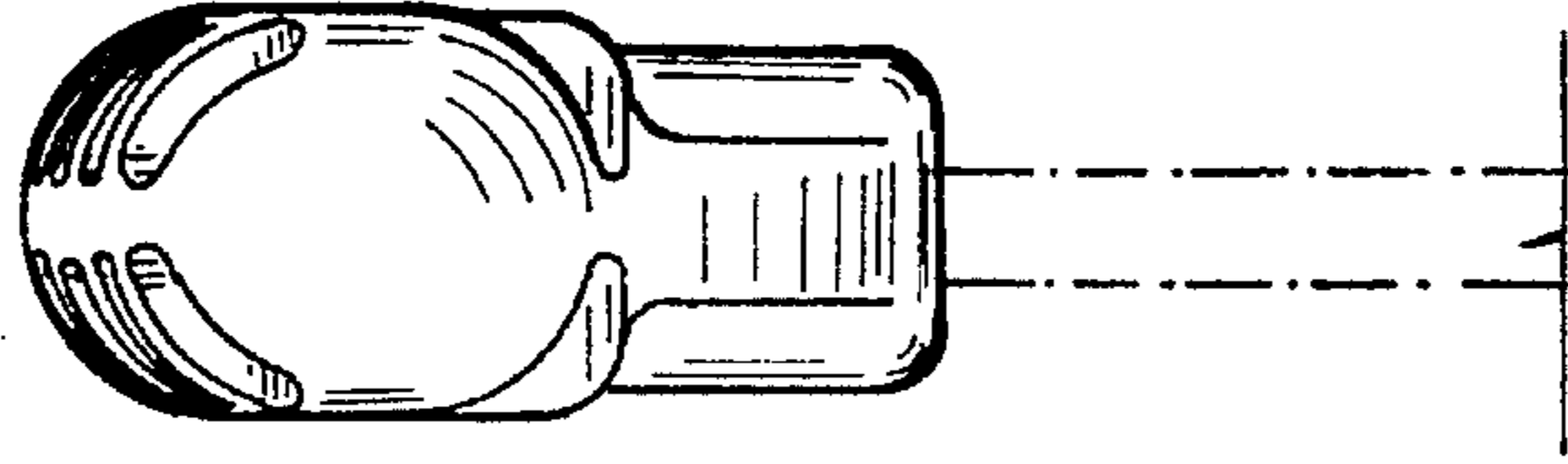


FIG. 5

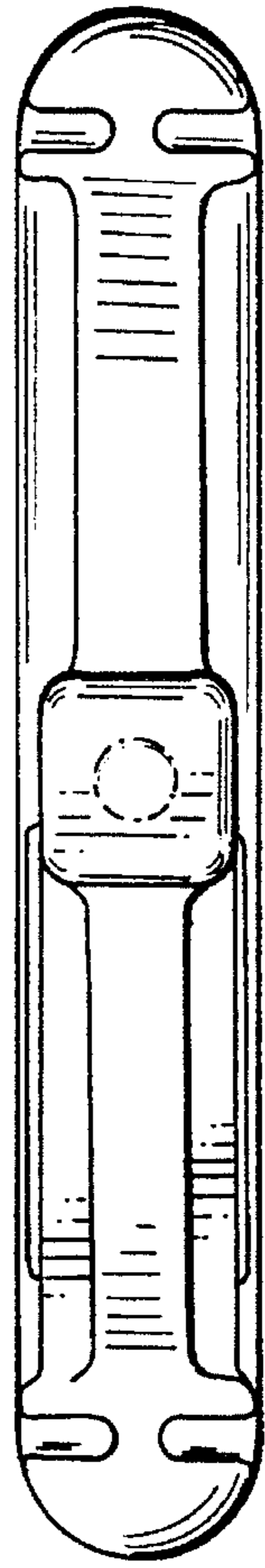


FIG. 6