



US00D378795S

United States Patent [19]
King

[11] **Patent Number: Des. 378,795**

[45] **Date of Patent: **Apr. 15, 1997**

[54] **INSULATED BOTTLE AND CAN HOLDER**

[75] Inventor: **Jon E. King**, St. Louis, Mo.

[73] Assignee: **Sinclair & Rush, Inc.**, St. Louis, Mo.

[**] Term: **14 Years**

[21] Appl. No.: **49,547**

[22] Filed: **Jan. 26, 1996**

[52] U.S. Cl. **D7/608; D7/624; D9/500**

[58] Field of Search D7/605-608, 619,
D7/624, 509; D9/500, 501; 62/457.1, 457.3,
457.4; 211/74; 215/392-395; 220/737, 739,
903, 906, 907; 248/346.11

[56] **References Cited**

U.S. PATENT DOCUMENTS

D. 247,847	5/1978	Kretz	D9/500
D. 250,170	11/1978	Steand	D9/500
D. 289,721	5/1987	Havis	D7/608
D. 293,061	12/1987	Hampton	D7/608
D. 298,719	11/1988	Beckerer, Jr.	D7/608
D. 302,509	8/1989	Byms	D7/608
D. 304,538	11/1989	Byms	D7/608
D. 307,850	5/1990	Aoki et al.	D7/624
D. 309,073	7/1990	Robinson	D7/608
D. 309,847	8/1990	Scheurer	D7/606

D. 326,032	5/1992	Leach	D7/608
4,540,611	9/1985	Henderson	D7/508 X
5,361,604	11/1994	Pier et al.	62/457.4

Primary Examiner—Terry A. Wallace
Attorney, Agent, or Firm—Polster, Lieder, Woodruff & Lucchese

[57] **CLAIM**

The ornamental design for insulated bottle and can holder, as shown and described.

DESCRIPTION

FIG. 1 is a perspective view of an insulated bottle and can holder showing my new design, the bottle is shown in broken lines for illustrative purposes only and forms no part of the claimed design;

FIG. 2 is a side elevational view thereof;

FIG. 3 is a top plan view thereof;

FIG. 4 is a bottom plan view thereof;

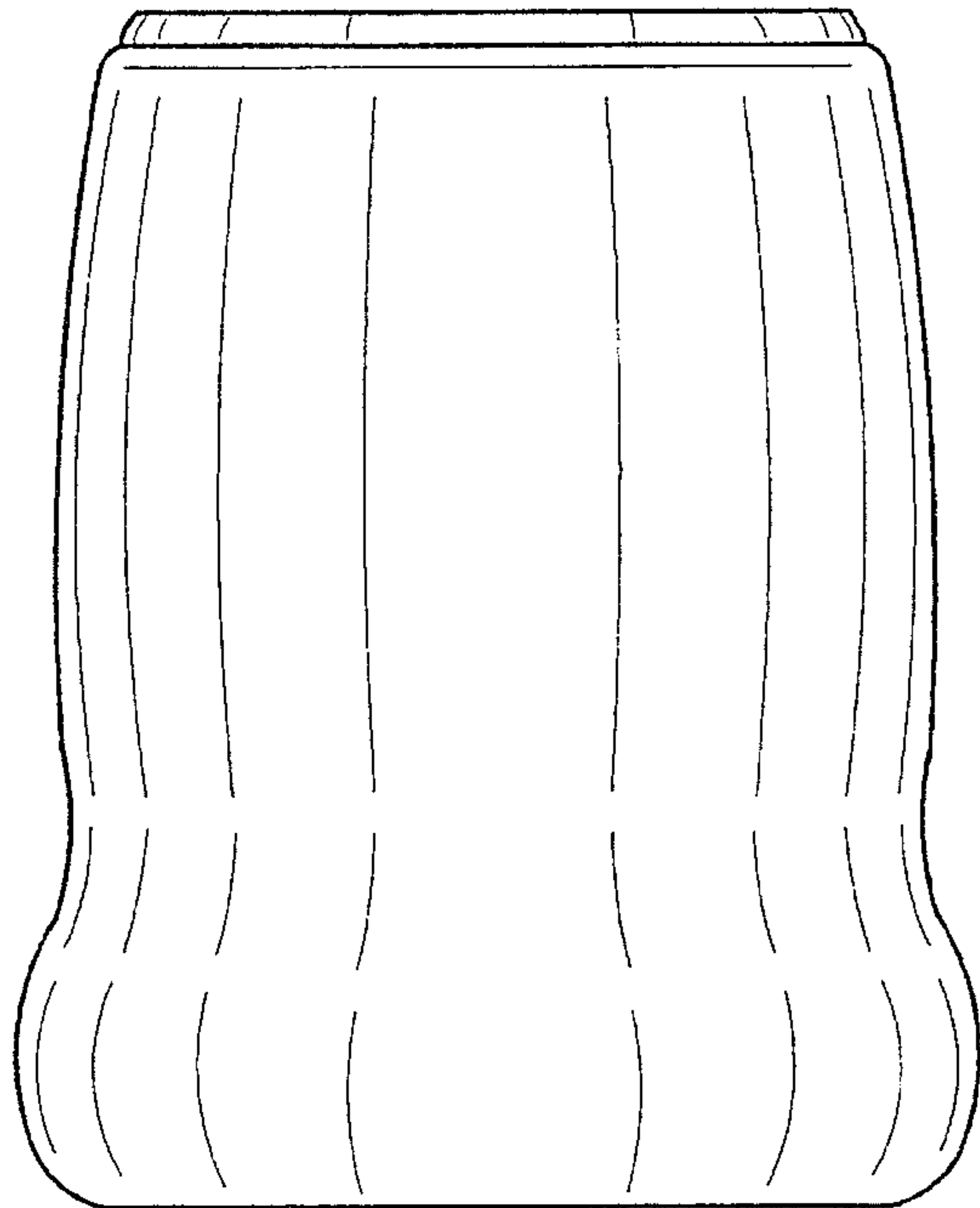
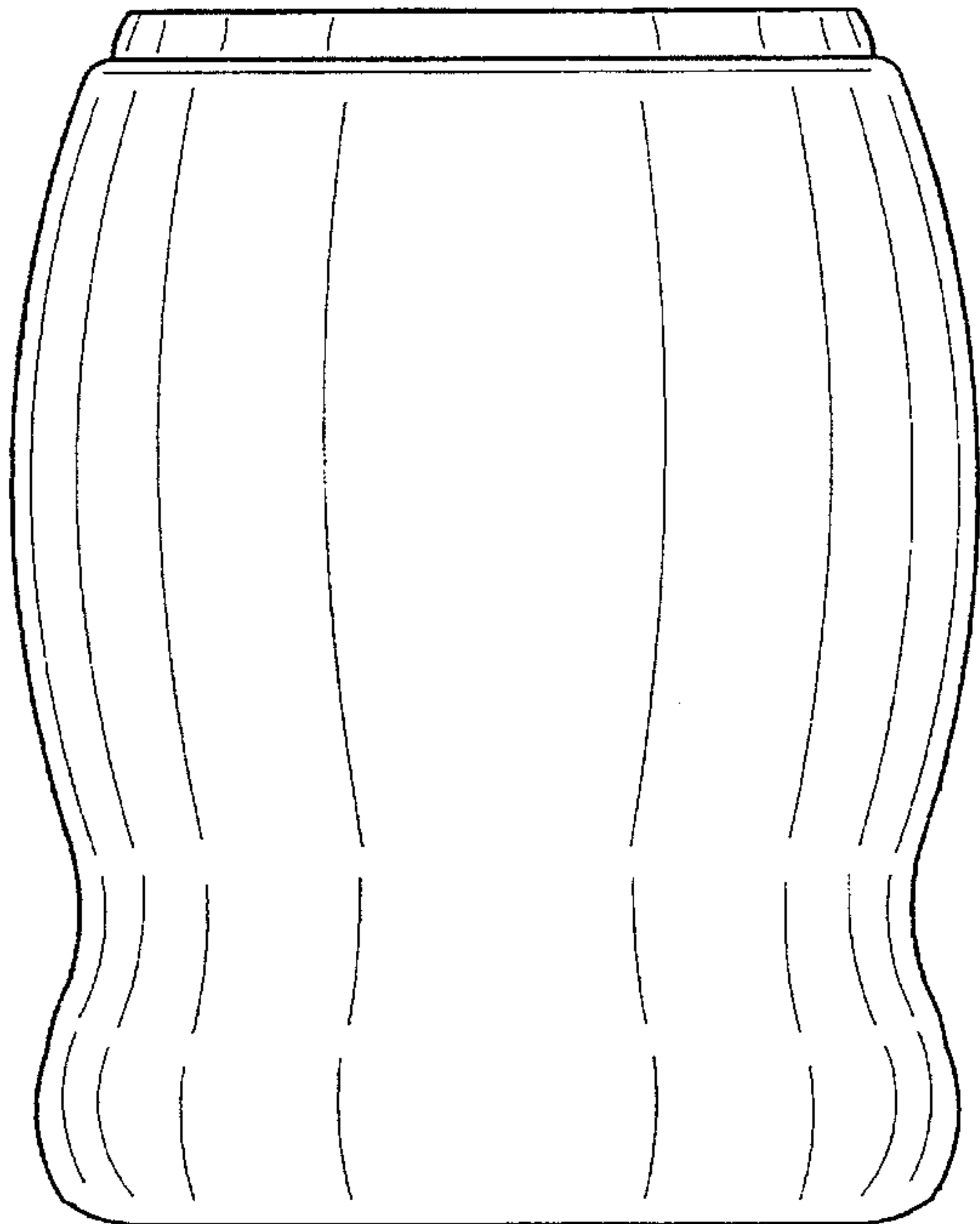
FIG. 5 is a perspective view of an alternate embodiment of FIG. 1, the can is shown in broken lines for illustrative purposes only and forms no part of the claimed design;

FIG. 6 is a side elevational view thereof;

FIG. 7 is a top plan view thereof; and,

FIG. 8 is a bottom plan view thereof.

1 Claim, 2 Drawing Sheets



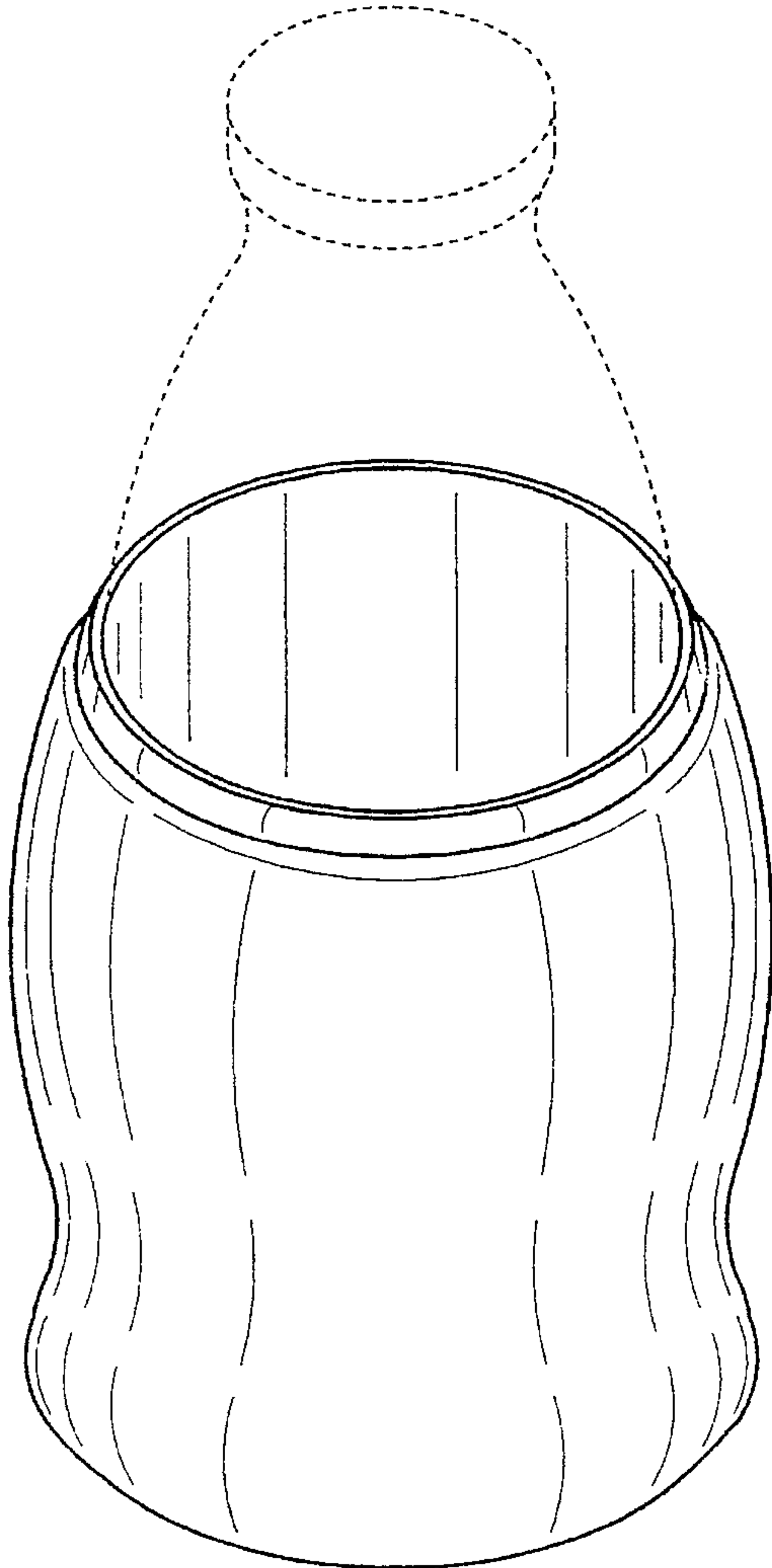


FIG. 1

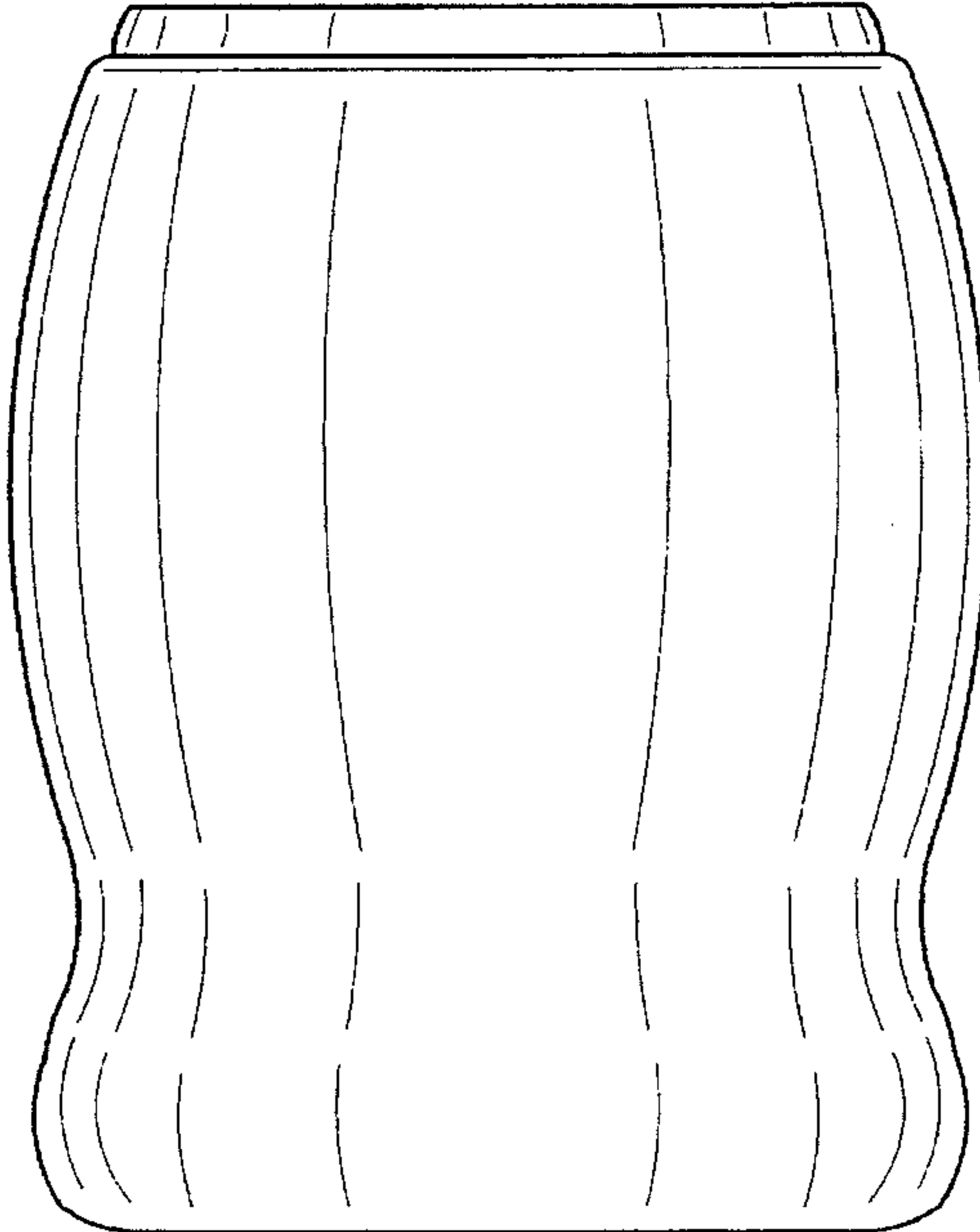


FIG. 2

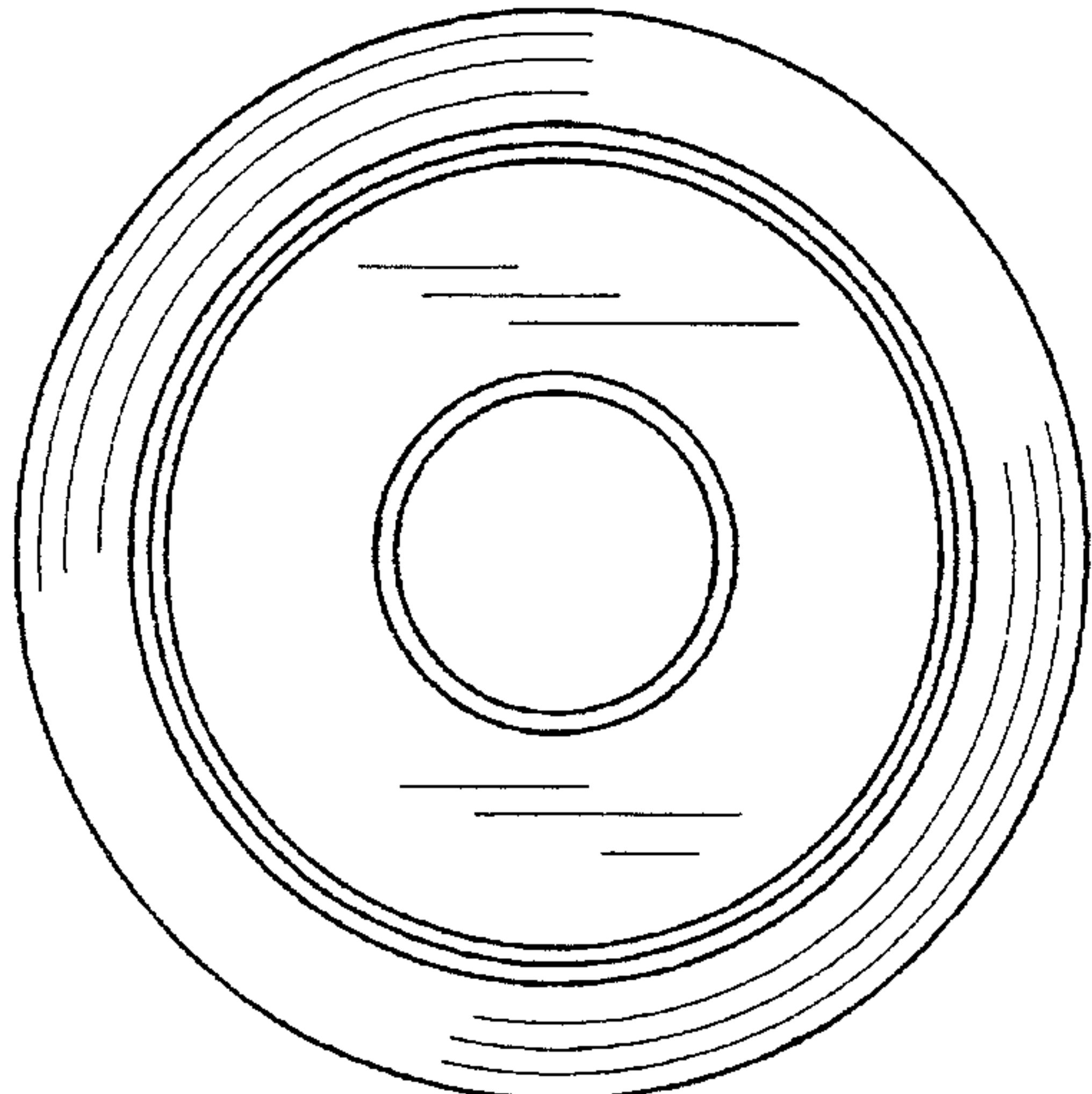


FIG. 3

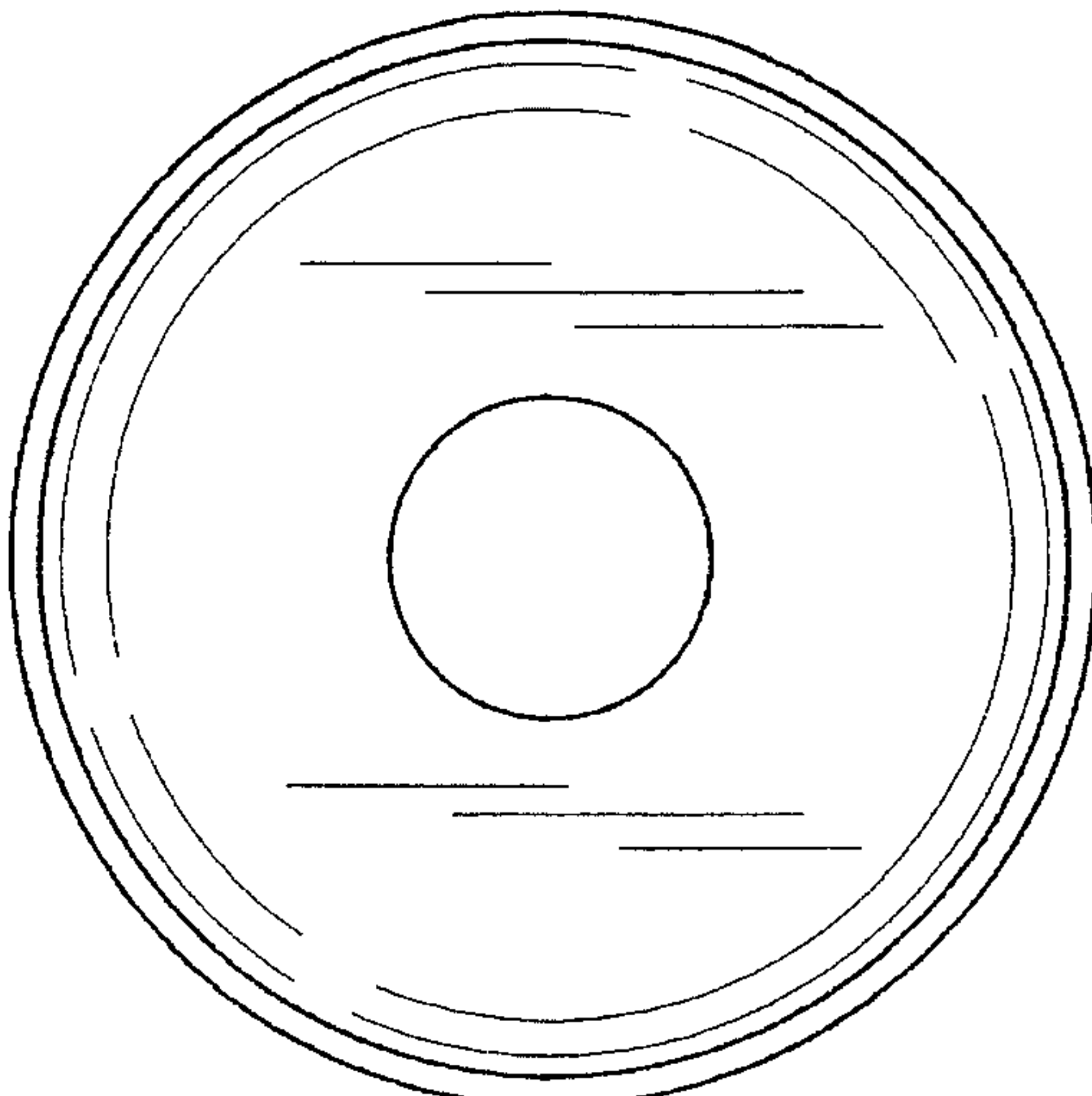


FIG. 4

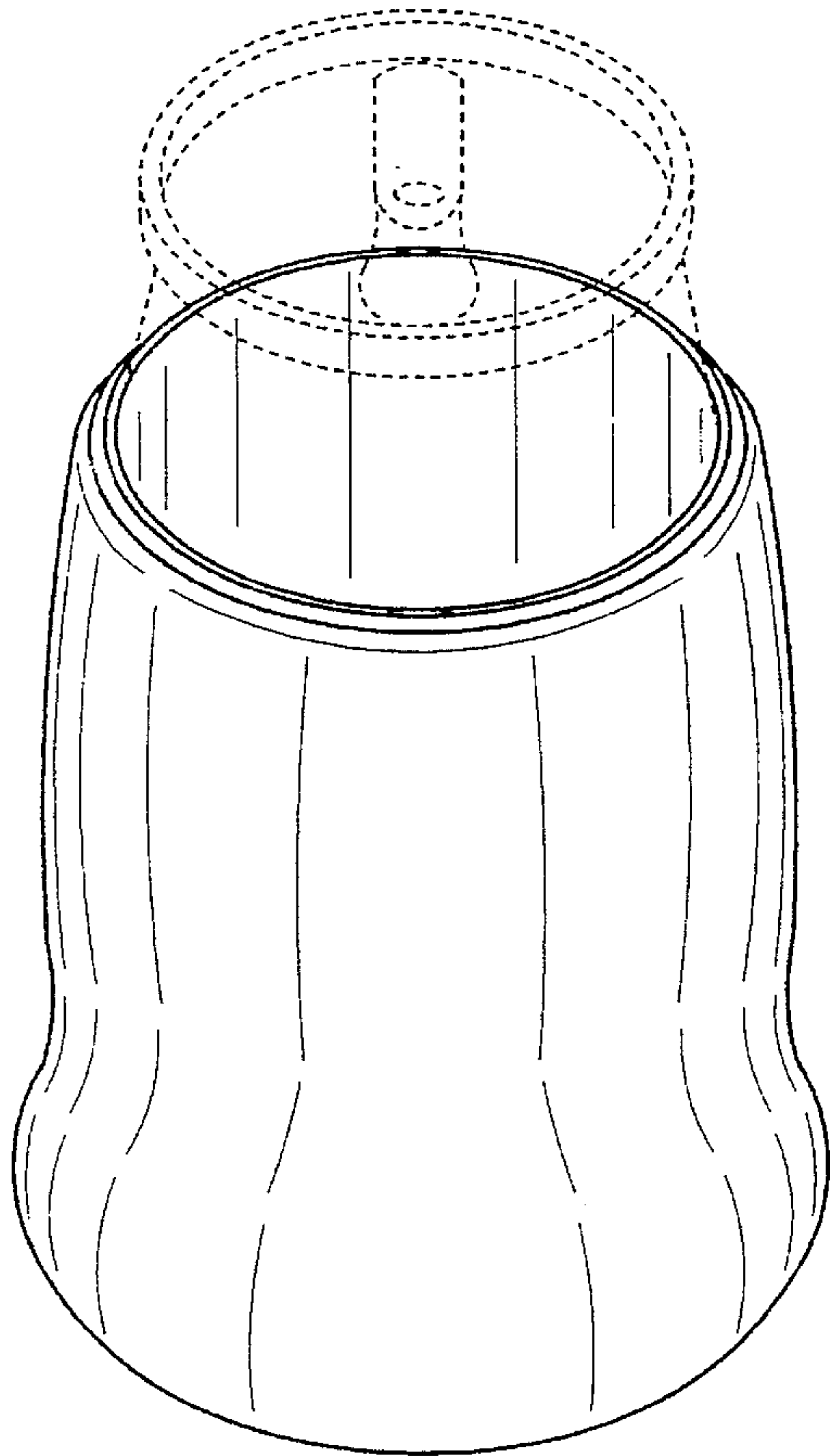


FIG. 5

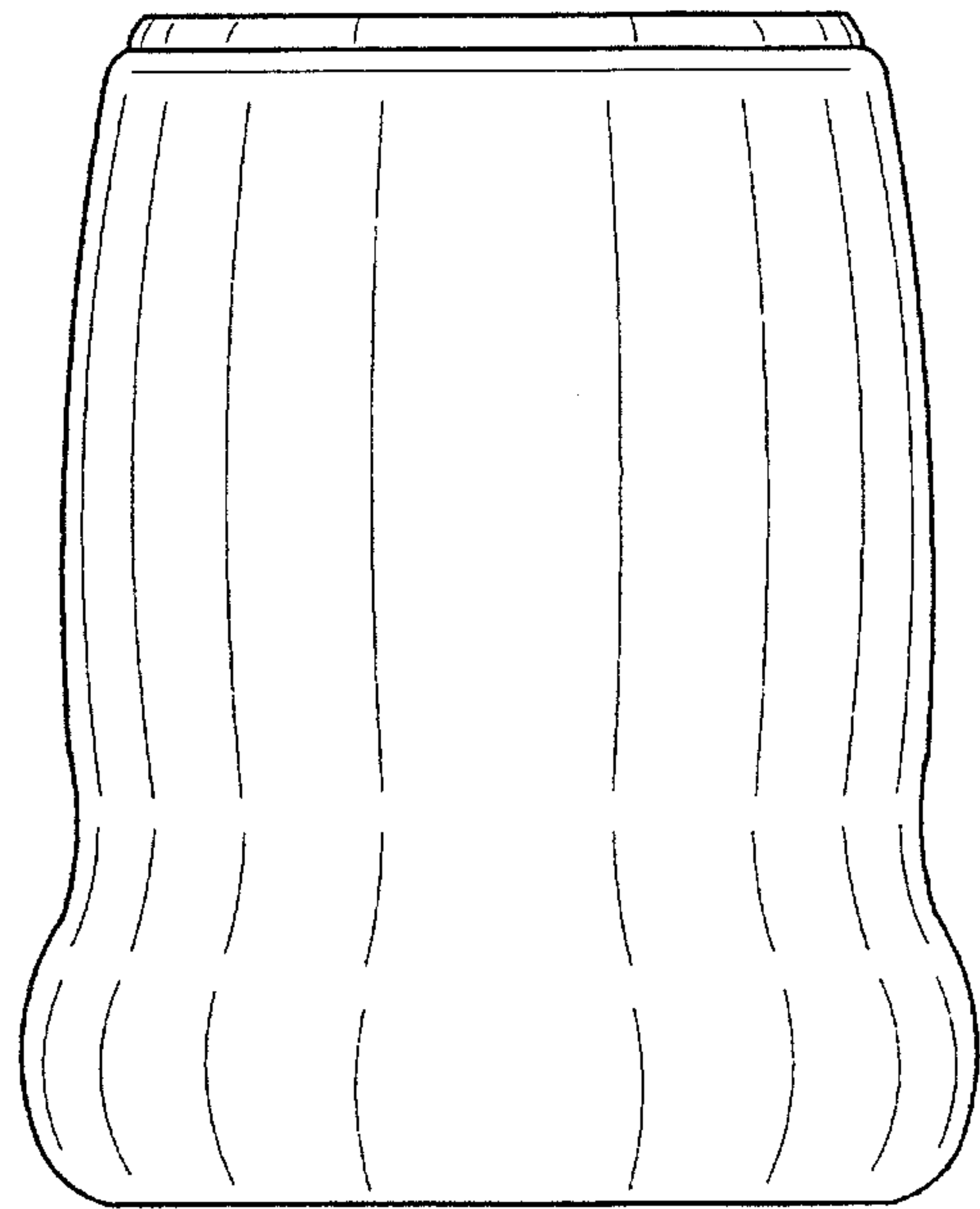


FIG. 6

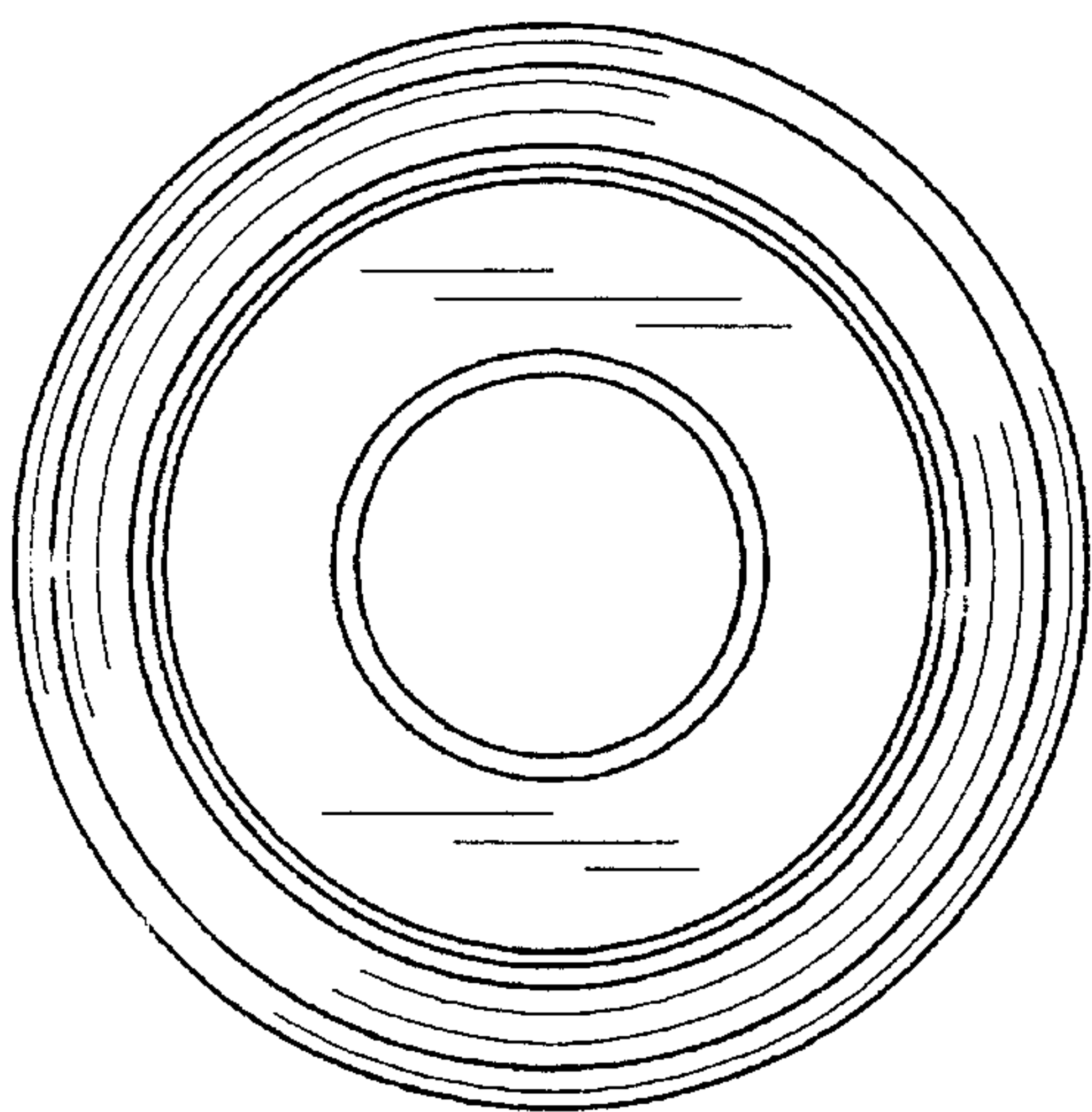


FIG. 7

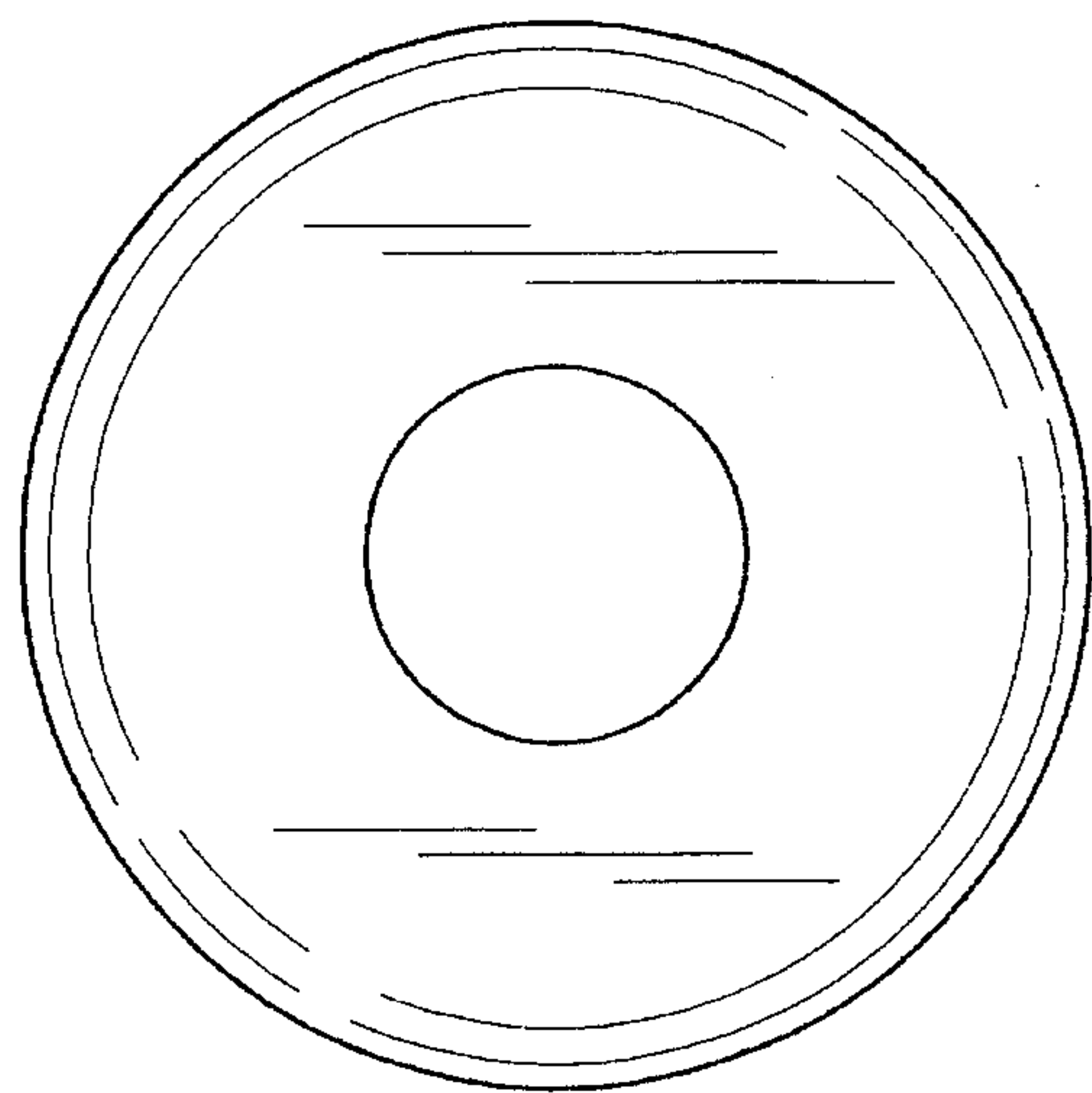


FIG. 8