



US00D378794S

United States Patent [19]

Joyce

[11] Patent Number: **Des. 378,794**

[45] Date of Patent: ****Apr. 15, 1997**

[54] DINNERWARE

[76] Inventor: **Kenneth M. Joyce**, 15 Dow La.,
Novato, Calif. 94947

[**] Term: **14 Years**

[21] Appl. No.: **45,941**

[22] Filed: **Nov. 2, 1995**

[52] U.S. Cl. **D7/585; D7/588**

[58] Field of Search D7/396.4, 396.5,
D7/500, 547, 538, 539, 540, 560, 562,
564, 566, 568, 570, 571, 584, 585, 542,
544, 588, 586, 572, 587, 561, 565

[56] **References Cited**

U.S. PATENT DOCUMENTS

D. 45,759	5/1914	Marston	D7/572
D. 356,926	4/1995	Wonder	D7/588 X
1,771,374	7/1930	Burkard	D7/584 X
2,024,995	12/1935	Cowan	D7/588 X
3,099,377	7/1963	Metzler et al.	D7/584 X

Primary Examiner—M. N. Pandozzi
Attorney, Agent, or Firm—Flam & Flam

[57] **CLAIM**

The ornamental design for dinnerware, as shown and described.

DESCRIPTION

FIG. 1 is a front elevational view of dinnerware as embodied in a dinner plate showing my new design;

FIG. 2 is an enlarged transverse sectional view partially broken away for ease of illustration taken along line 2—2 of FIGS. 1, 4, and 5;

FIG. 3 is an enlarged sectional view partially broken away for ease of illustration taken along line 3—3 of FIG. 2;

FIG. 4 is a front elevational view of dinnerware as embodied in a salad plate, showing a second embodiment of my new design; and,

FIG. 5 is a front elevational view of dinnerware as embodied in a saucer, showing a third embodiment of my new design.

The characteristic feature of the dinnerware is the sculptured on the plate rim.

1 Claim, 2 Drawing Sheets

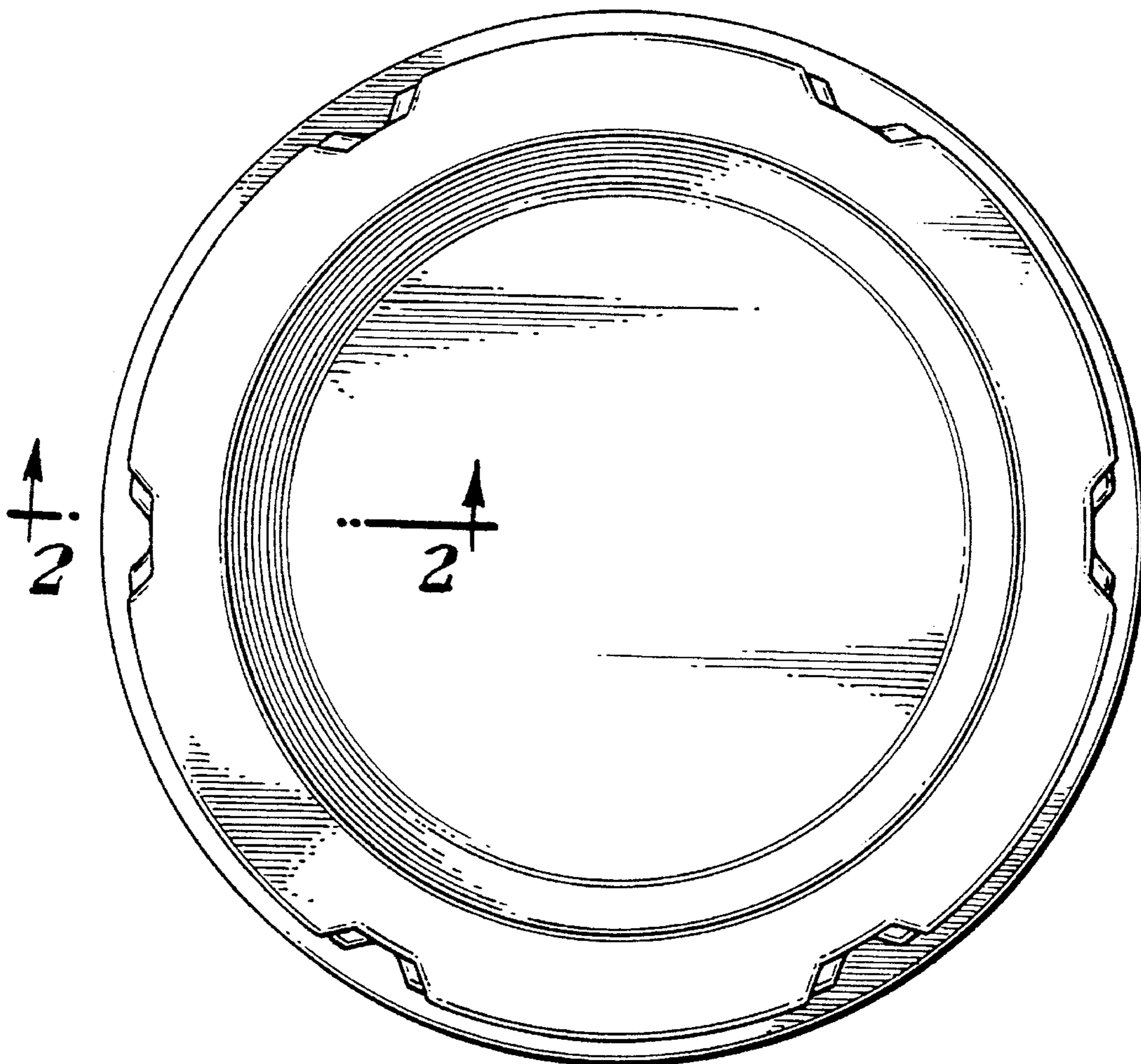


Fig. 1.

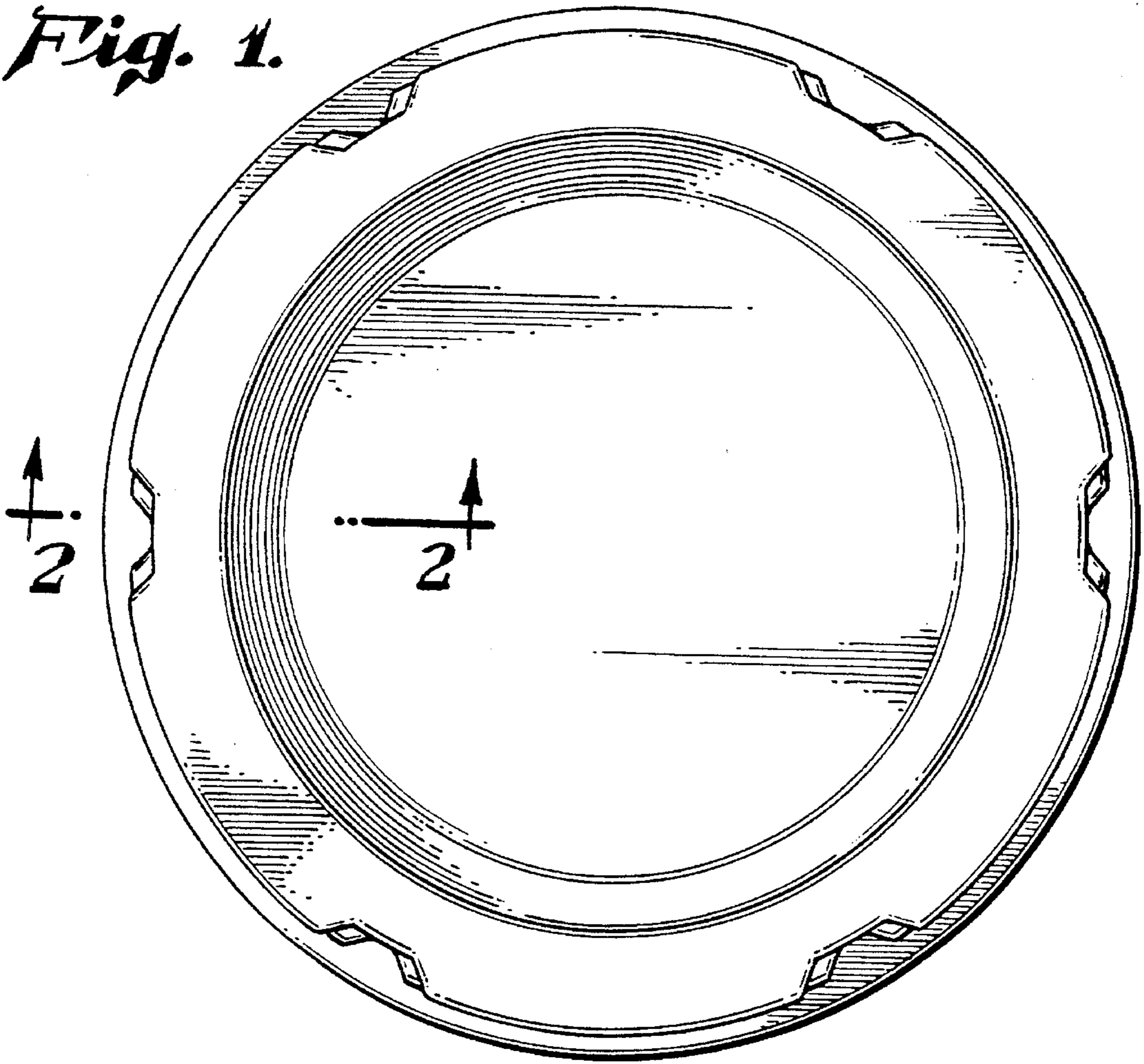


Fig. 3.

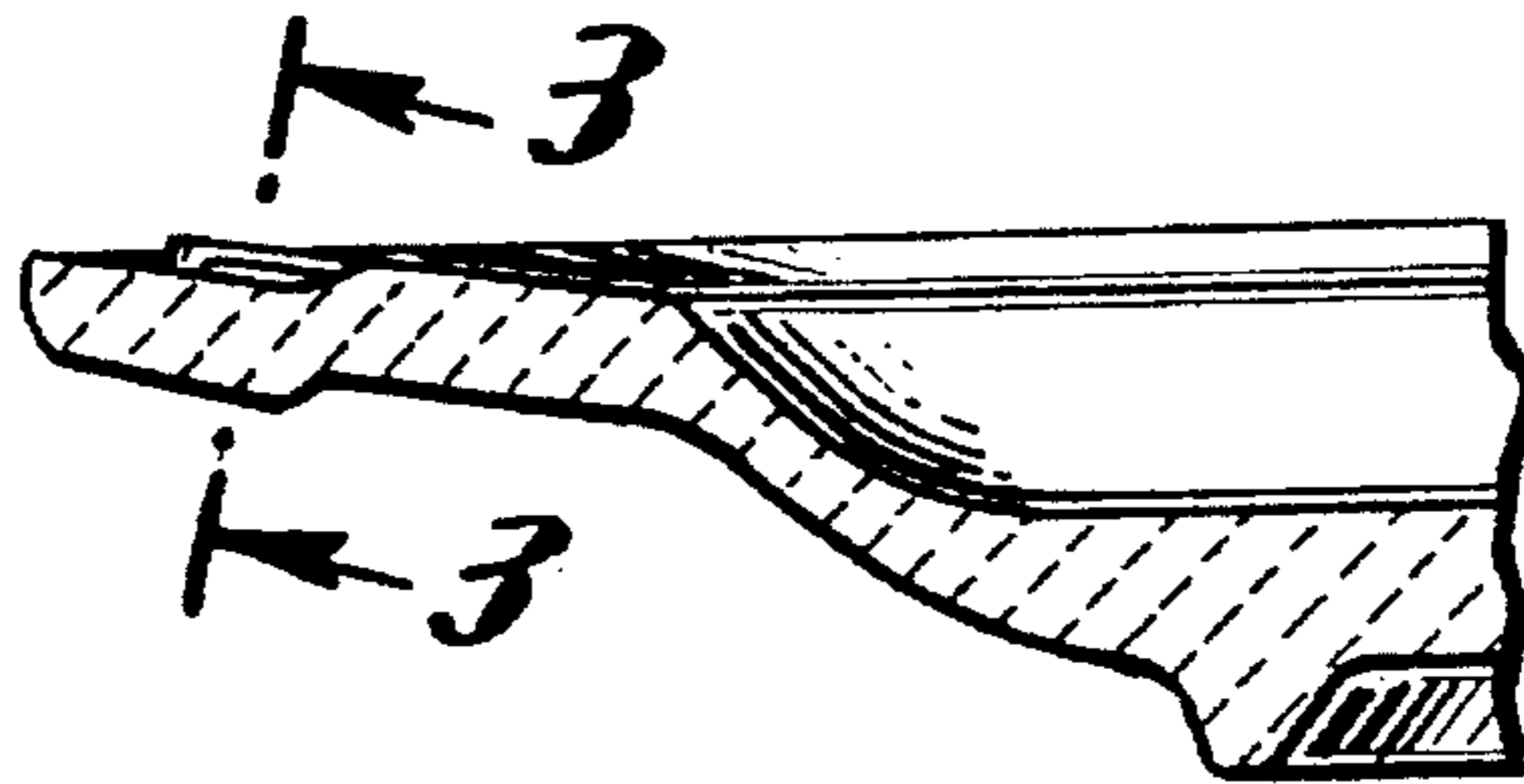


Fig. 2.

Fig. 4.

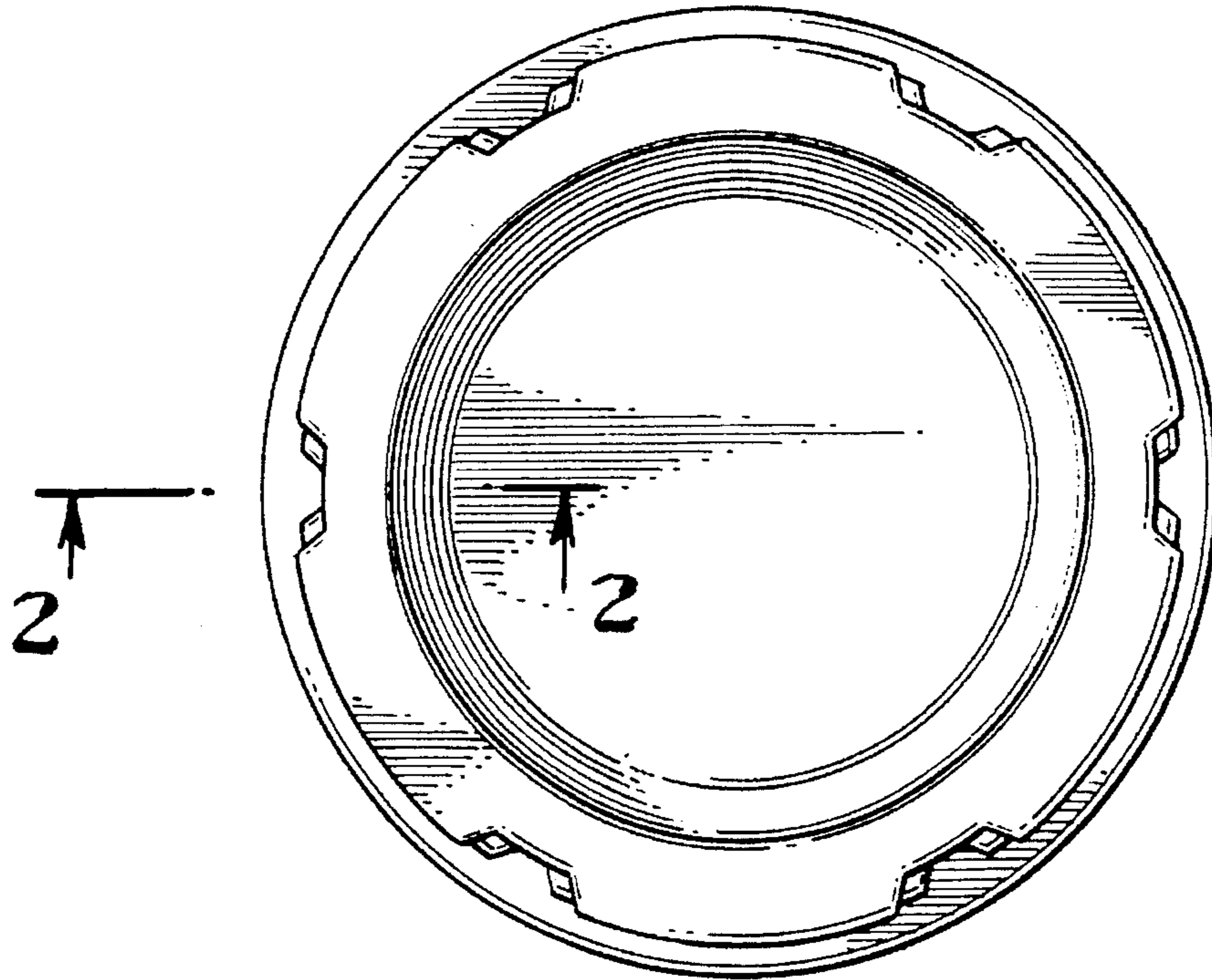


Fig. 5.

