



US00D378792S

**United States Patent** [19]  
**Westcott**

[11] **Patent Number: Des. 378,792**

[45] **Date of Patent: \*\*Apr. 15, 1997**

[54] **LAZY SUSAN**

[75] Inventor: **Michael Westcott**, Cohasset, Mass.

[73] Assignee: **Emplast, Inc.**, Shakopee, Minn.

[\*\*] Term: **14 Years**

[21] Appl. No.: **54,221**

[22] Filed: **May 10, 1996**

[52] U.S. Cl. .... **D7/501; D7/550; D7/367**

[58] **Field of Search** ..... **D7/501, 550, 396.1, D7/401.1, 543, 547, 555, 355, 367, 409, 354, 387; 220/556, 575, 23.8, 608**

[56] **References Cited**

**U.S. PATENT DOCUMENTS**

D. 101,149	9/1936	Towne .....	D7/550
D. 274,495	7/1984	Bowen et al. ....	D7/354
D. 301,956	7/1989	Newton .....	D7/501
D. 312,747	12/1990	Keung .....	D7/367
D. 334,108	3/1993	Fisher .....	D7/367 X
D. 339,722	9/1993	Ancona et al. ....	D7/555 X
D. 365,498	12/1995	Lillezund et al. ....	D7/543 X
D. 371,958	7/1996	Keaton .....	D7/501 X
4,754,111	6/1988	Pomeroy et al. ....	D7/501 X

**OTHER PUBLICATIONS**

Warming Base by Melitta (center) Housewares Apr. 1984 p. 142.

*Primary Examiner*—M. N. Pandozzi

*Attorney, Agent, or Firm*—Haugen and Nikolai, P.A.

[57] **CLAIM**

The ornamental design for a lazy susan, as shown and described.

**DESCRIPTION**

FIG. 1 is a perspective view showing the lazy susan of the present invention;

FIG. 2 is a bottom plan view of the lazy susan shown in FIG. 1;

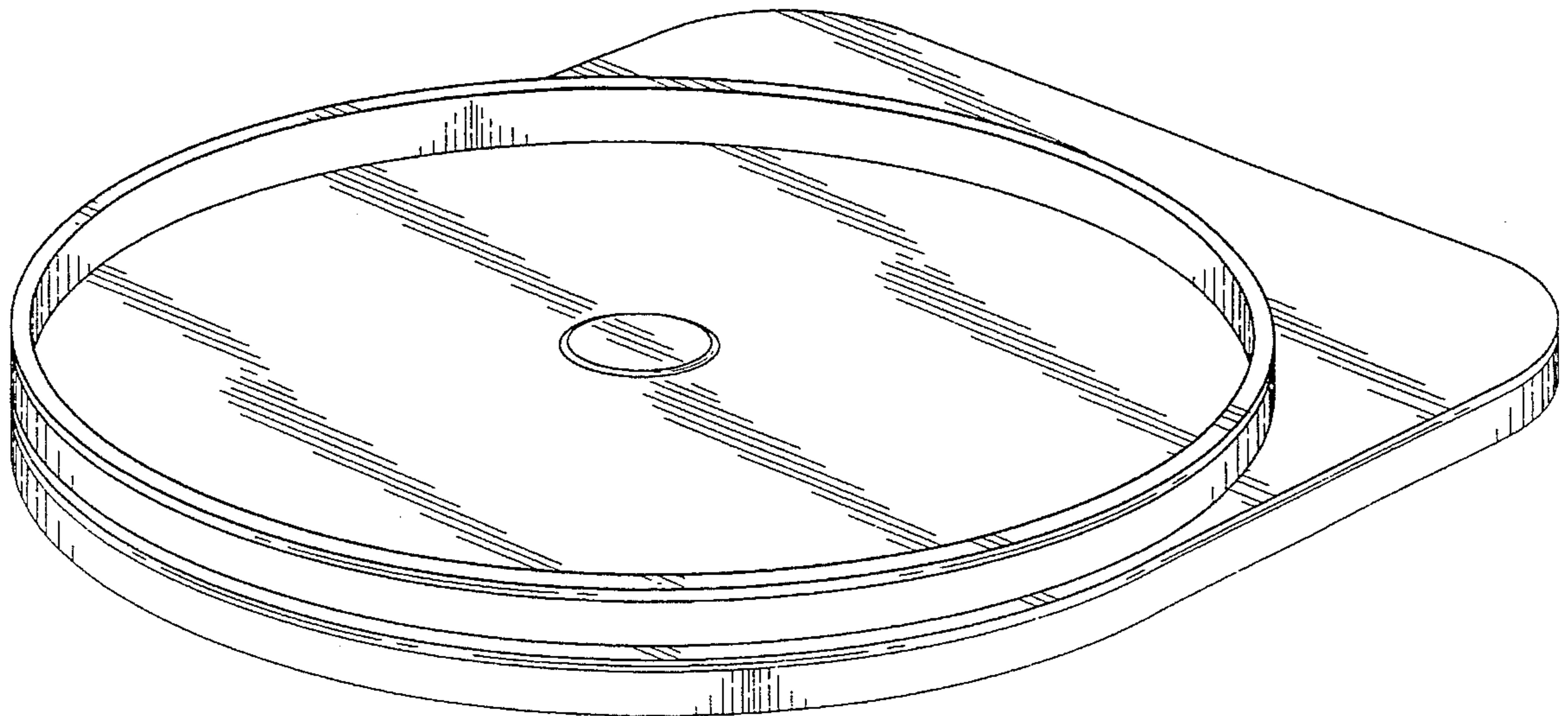
FIG. 3 is a top plan view of the lazy susan shown in FIG. 1;

FIG. 4 is a first elevational view showing the rounded end of the lazy susan;

FIG. 5 is a second elevational view showing the flat end of the lazy susan; and,

FIG. 6 is a elevational view of one of the long sides of the lazy susan, the opposite side by the mirror image thereof.

**1 Claim, 3 Drawing Sheets**



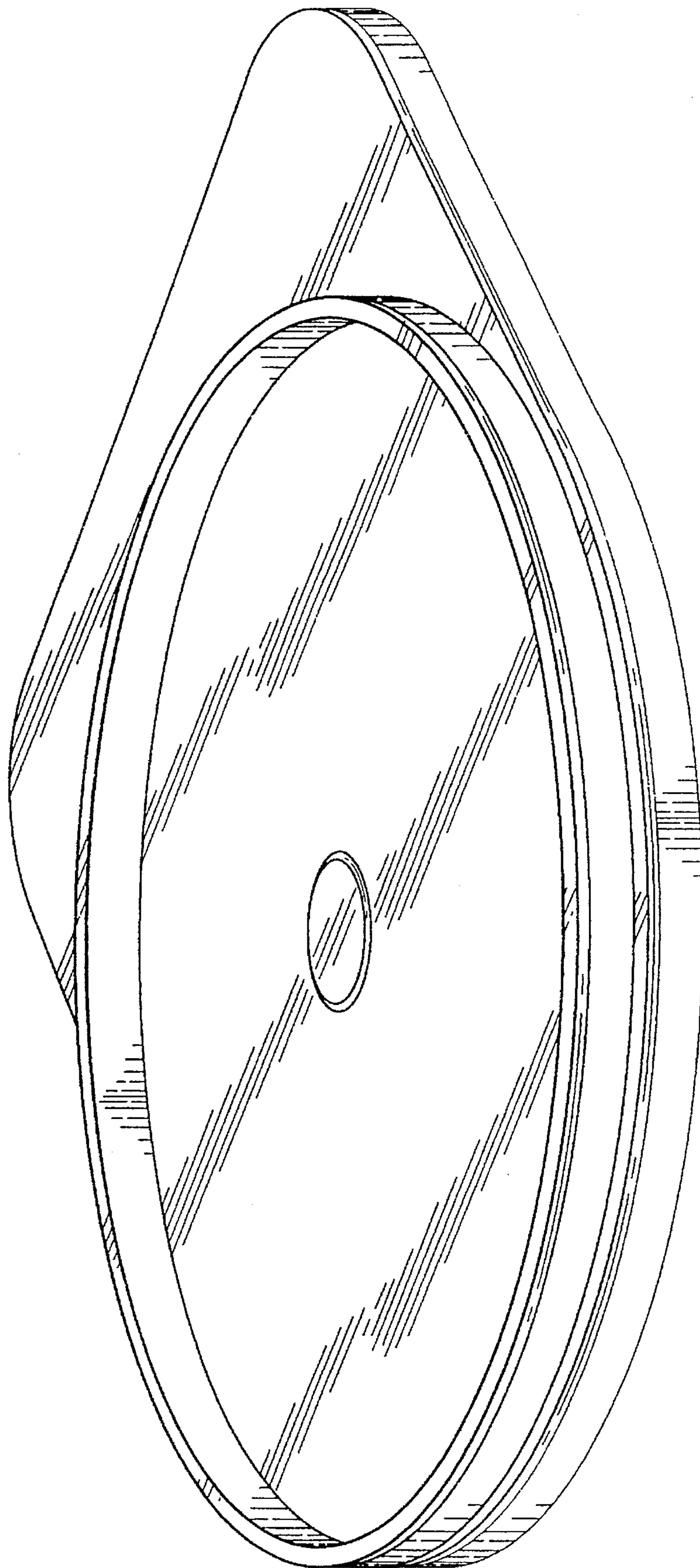


Fig. 1

Fig. 3

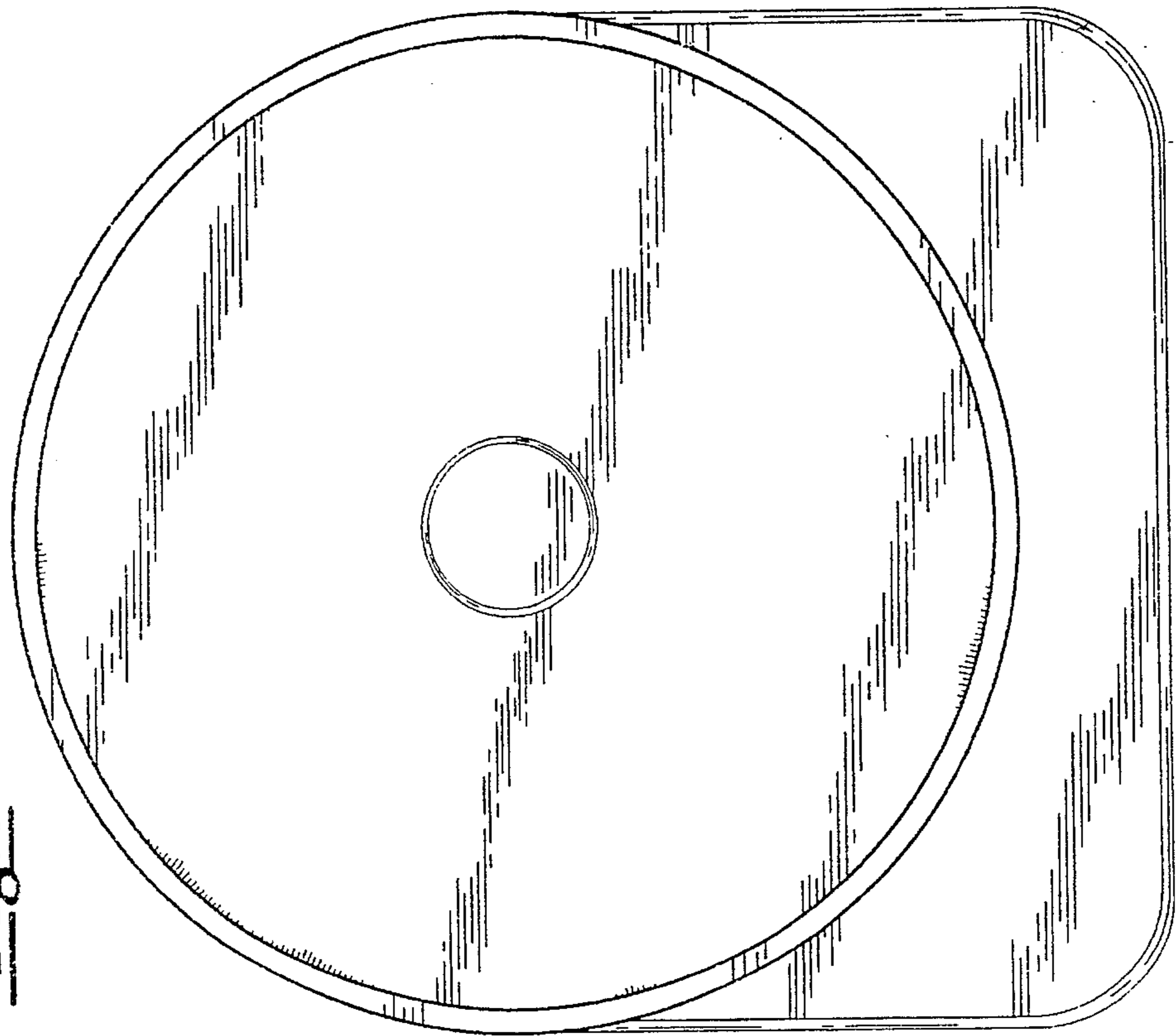


Fig. 2

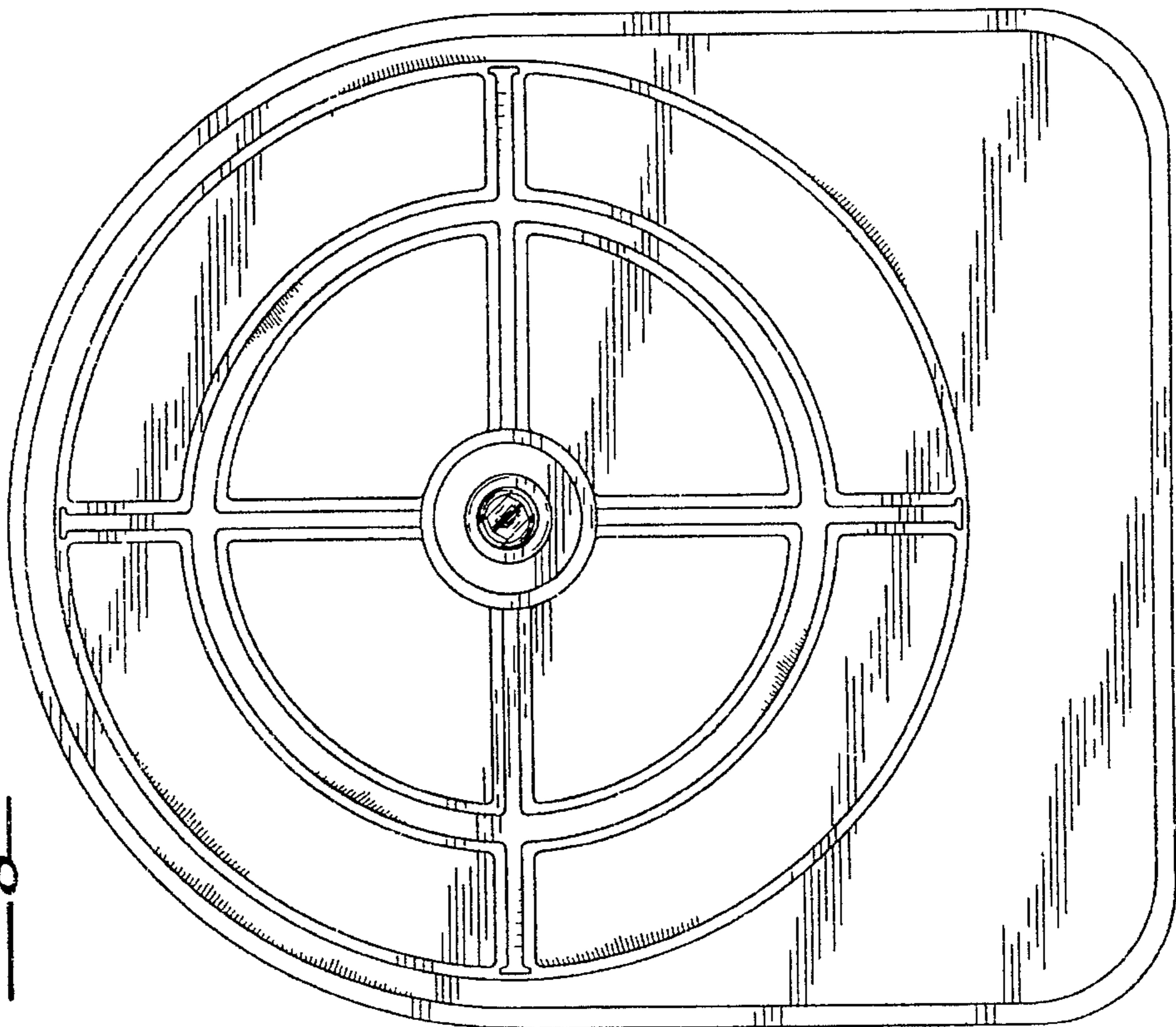


Fig. 4

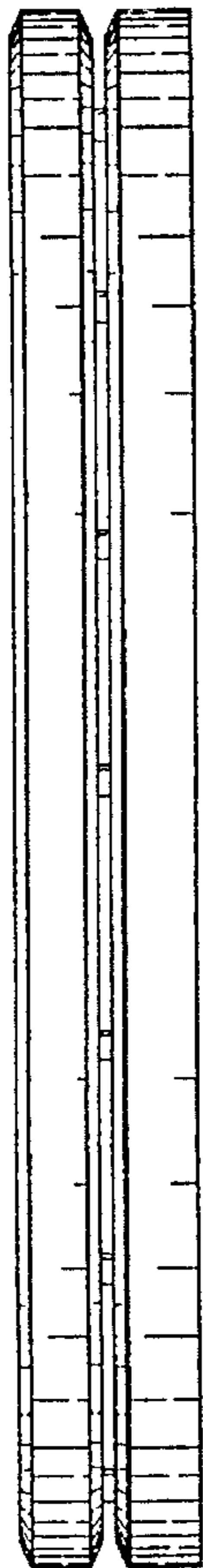


Fig. 5



Fig. 6

