



US00D378786S

# United States Patent [19]

Chesnut

[11] Patent Number: **Des. 378,786**

[45] Date of Patent: **\*\*Apr. 8, 1997**

[54] **PENGUIN COIN BANK**

[76] Inventor: **John M. Chesnut**, P.O. Box 795,  
Grantham, N.H. 03753

[\*\*] Term: **14 Years**

[21] Appl. No.: **28,140**

[22] Filed: **Sep. 8, 1994**

[52] U.S. Cl. .... **D99/38**

[58] Field of Search ..... D6/557; D9/317;  
D11/162; D21/160; D99/34, 35, 37, 38,  
40; 232/1 D; 446/8, 10

[56] **References Cited**

**U.S. PATENT DOCUMENTS**

D. 68,804	11/1925	Hall	.....	D99/38
D. 98,044	12/1935	Zell	.....	D99/38
D. 260,318	8/1981	Miyazaki	.....	D99/38
D. 262,469	12/1981	Matsui	.....	D21/160
D. 350,711	9/1994	Olson	.....	D11/162
D. 354,834	1/1995	Chesnut	.....	D99/38

*Primary Examiner*—Martie Thompson  
*Assistant Examiner*—Robert M. Spear

*Attorney, Agent, or Firm*—Michael J. Weins

[57] **CLAIM**

The original design for a penguin coin bank, as shown and described.

**DESCRIPTION**

FIG. 1 is a perspective view of the penguin coin bank showing my new design with coins, not part of the claimed design, shown in phantom;

FIG. 2 is an enlarged portion of the head of the penguin of the present invention showing the detail of the month into which coins are inserted, with coins, and fingers shown in phantom and not part of the claimed design;

FIG. 3 is a left side elevation view (as viewed from the front of the penguin) of the penguin coin bank of the present invention;

FIG. 4 is a front end elevation view thereof;

FIG. 5 is a bottom plan view thereof;

FIG. 6 is a top plan view thereof;

FIG. 7 is a right side elevation view (as viewed from the front of the penguin) thereof; and,

FIG. 8 is a rear end elevation view thereof.

**1 Claim, 3 Drawing Sheets**

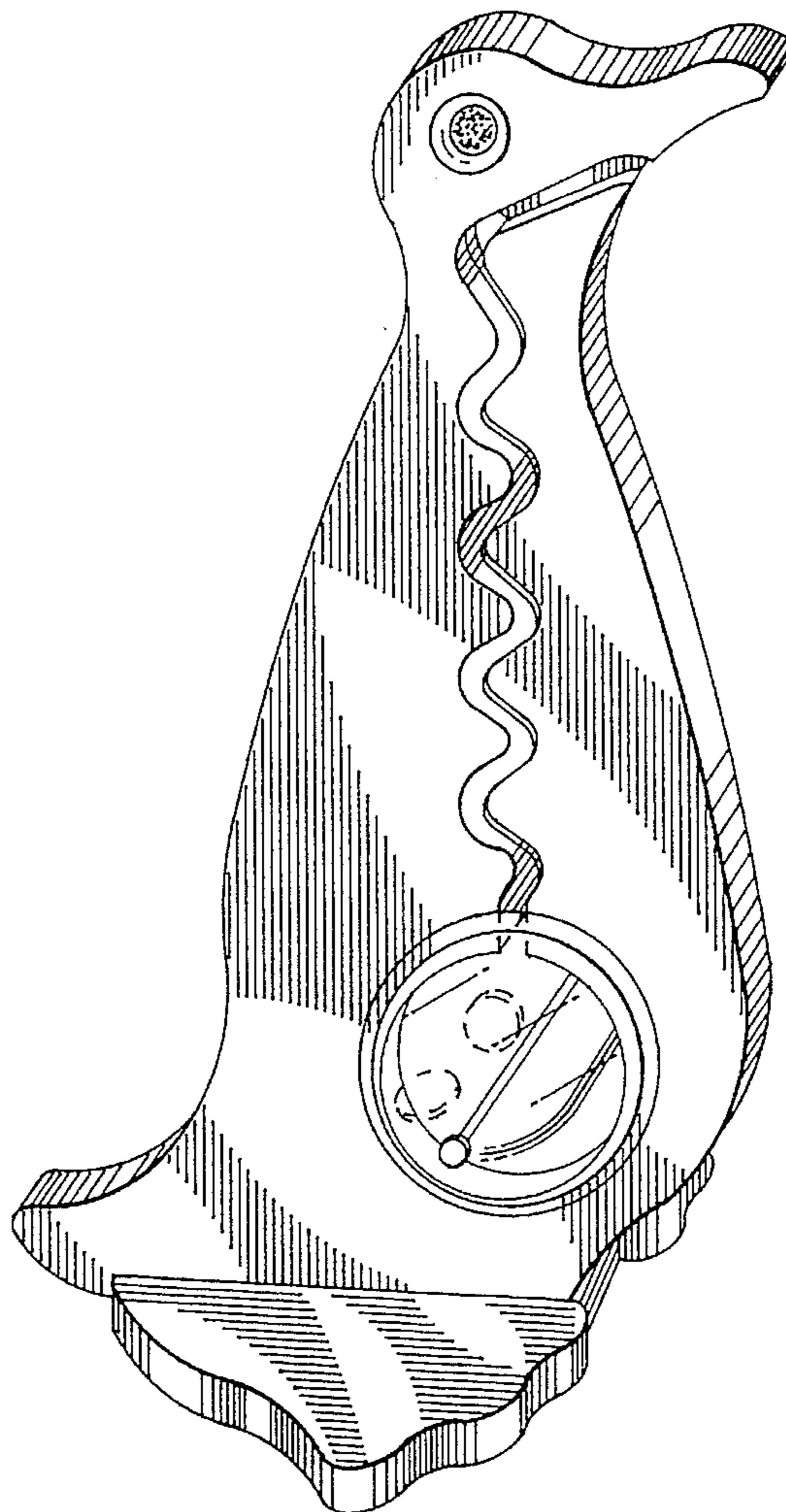


FIG. 1

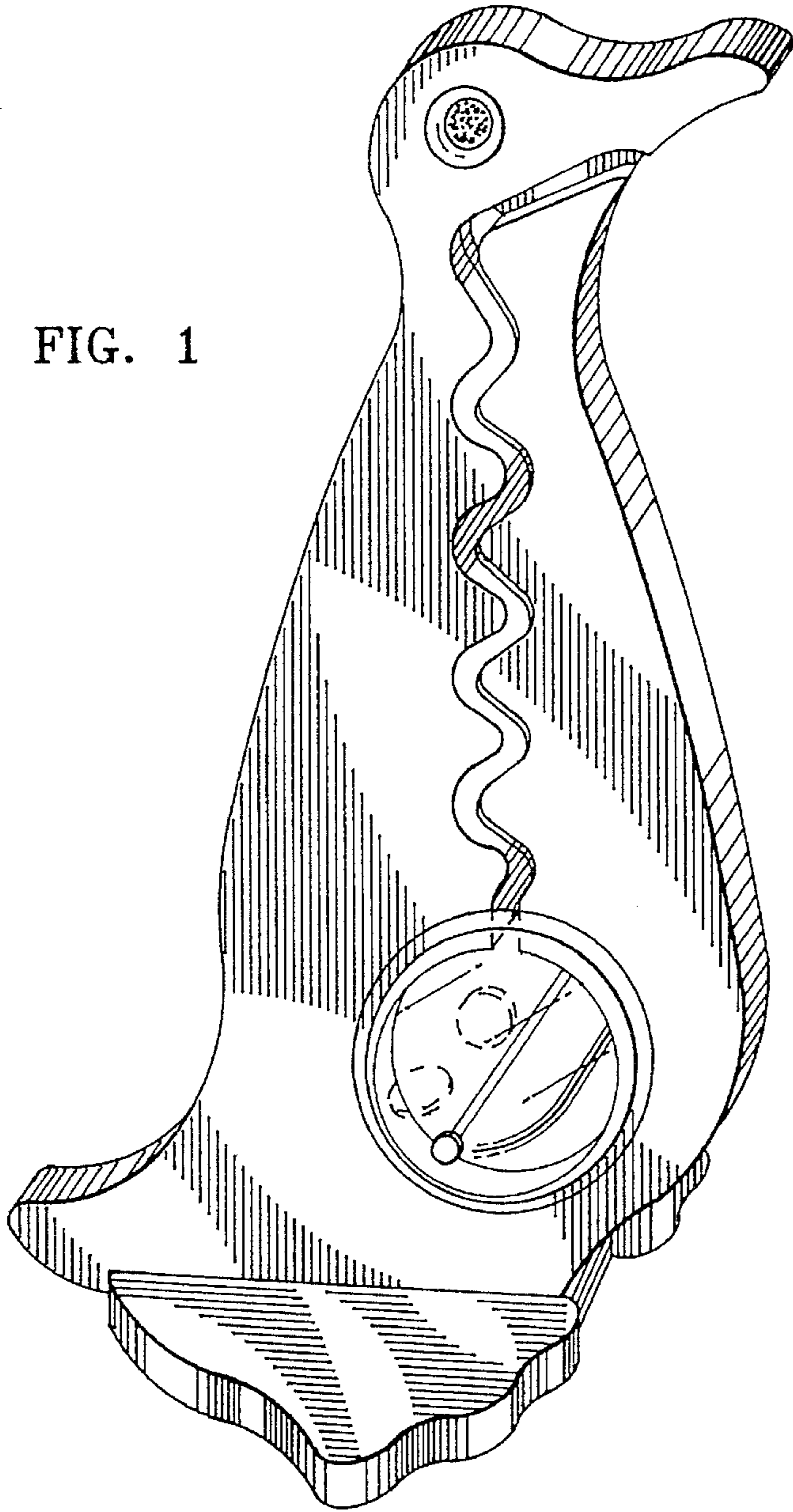
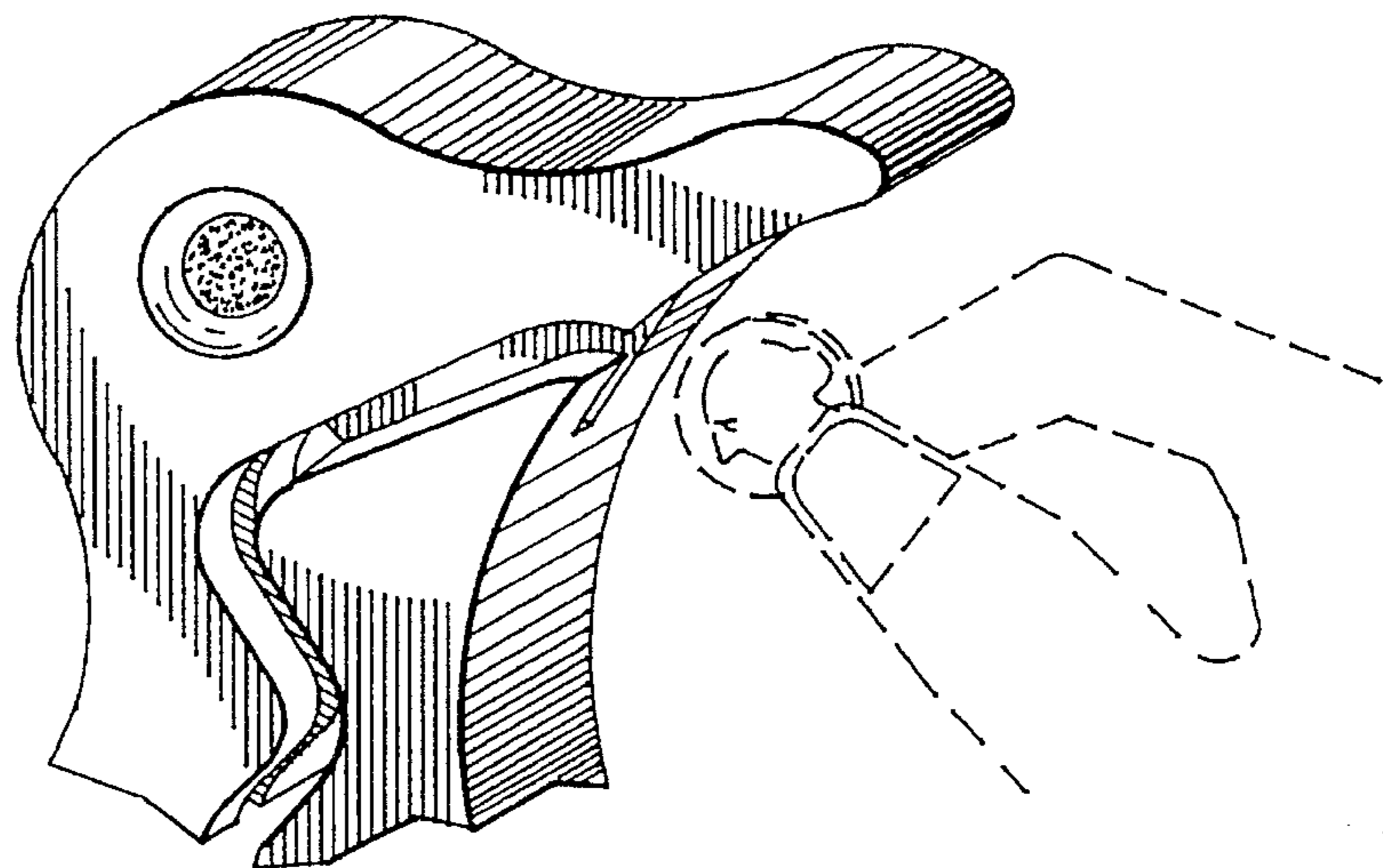


FIG. 2



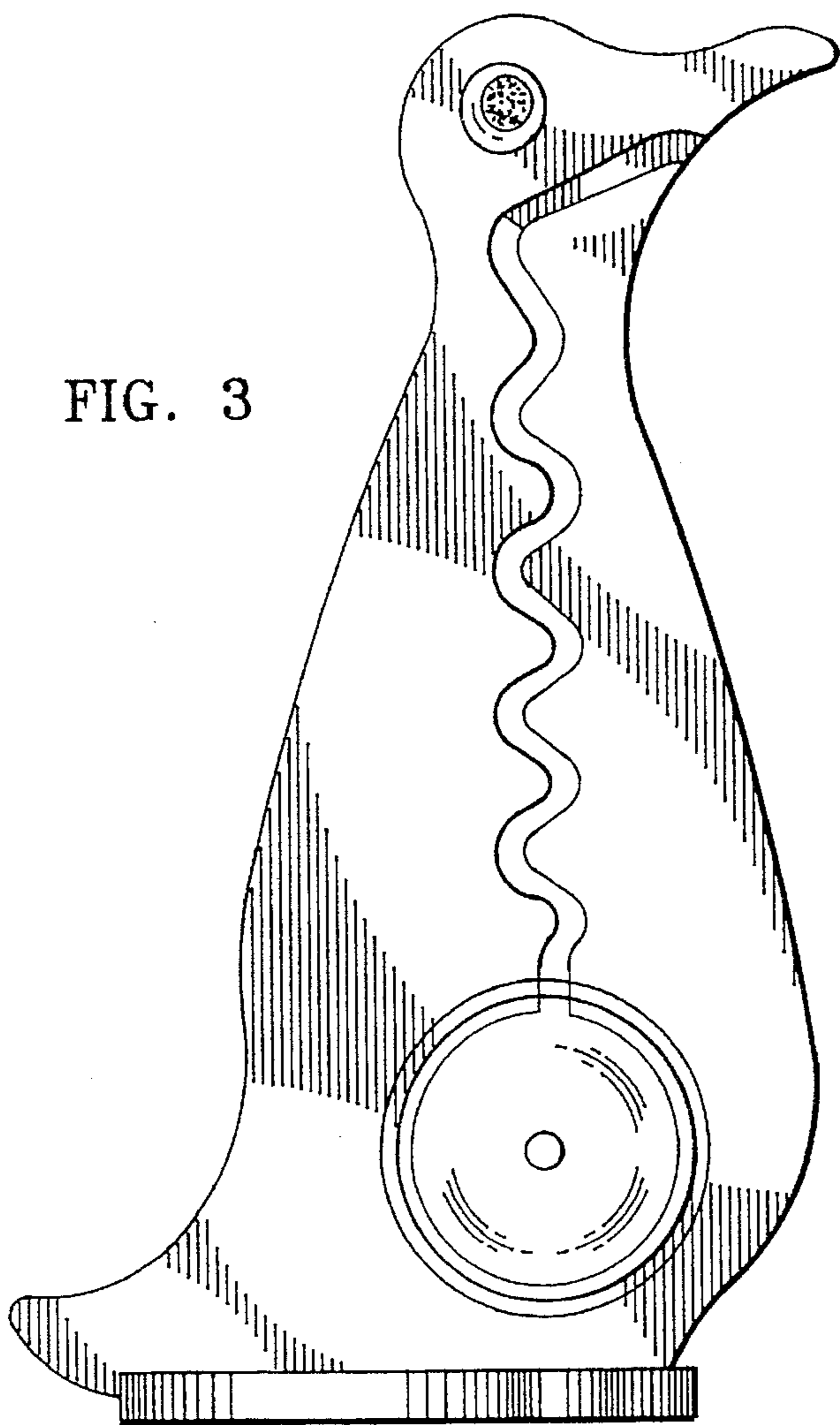


FIG. 3

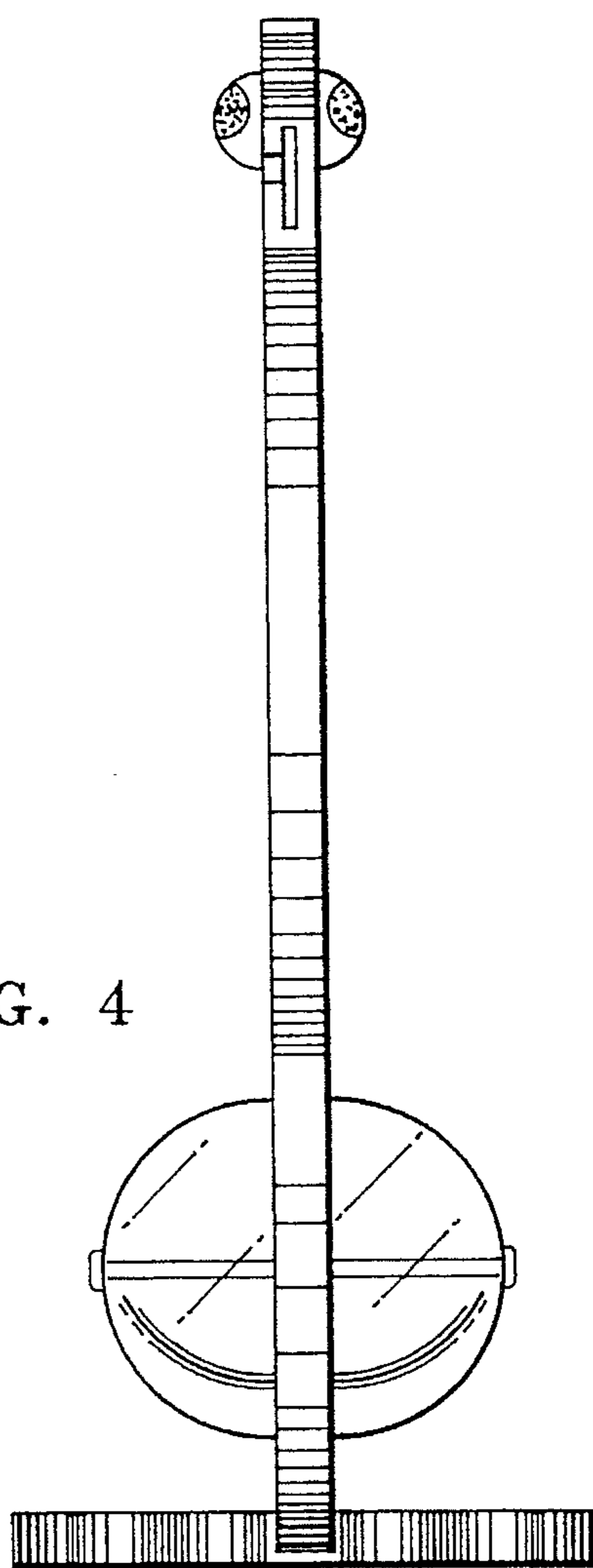


FIG. 4

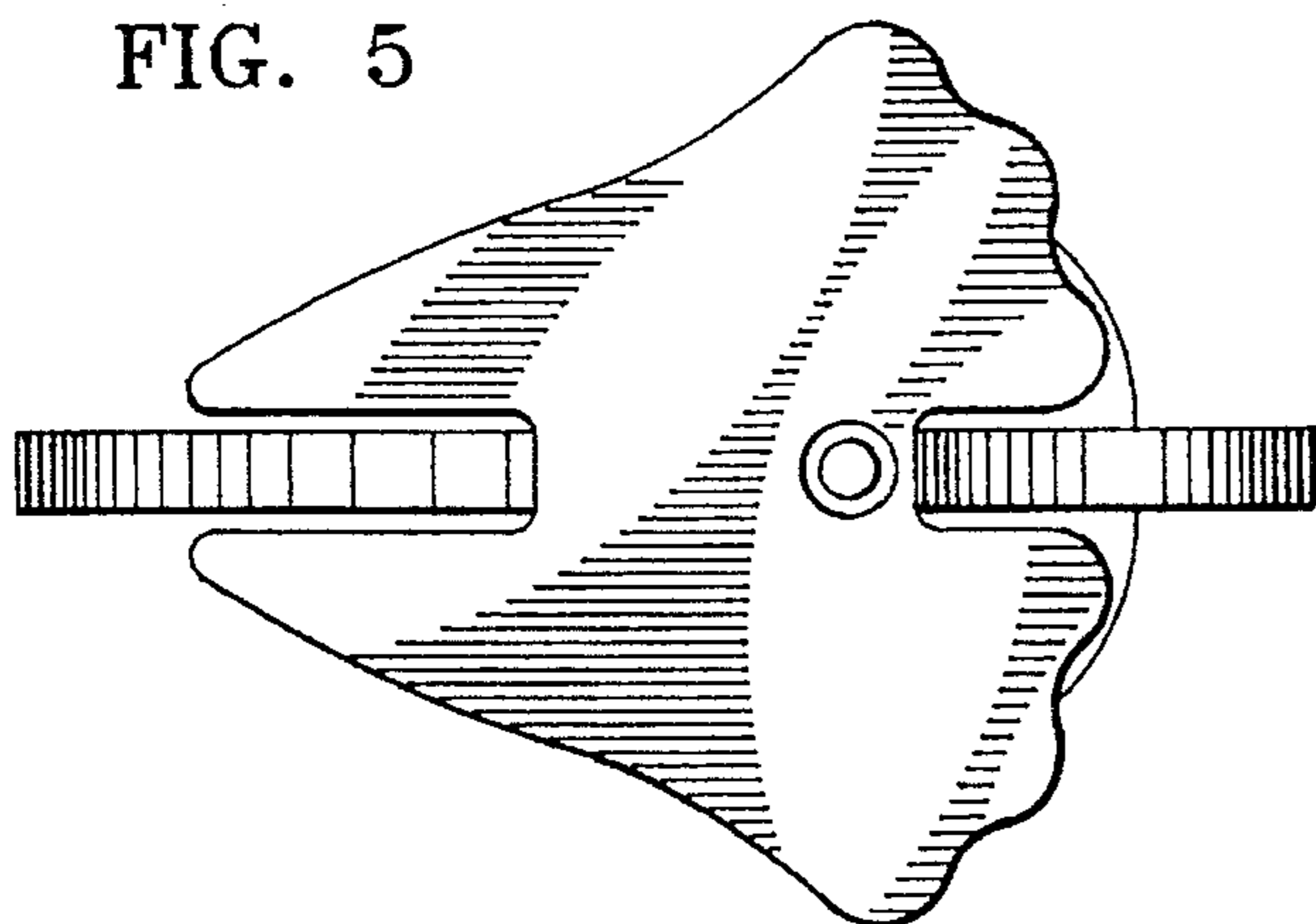


FIG. 5

FIG. 6

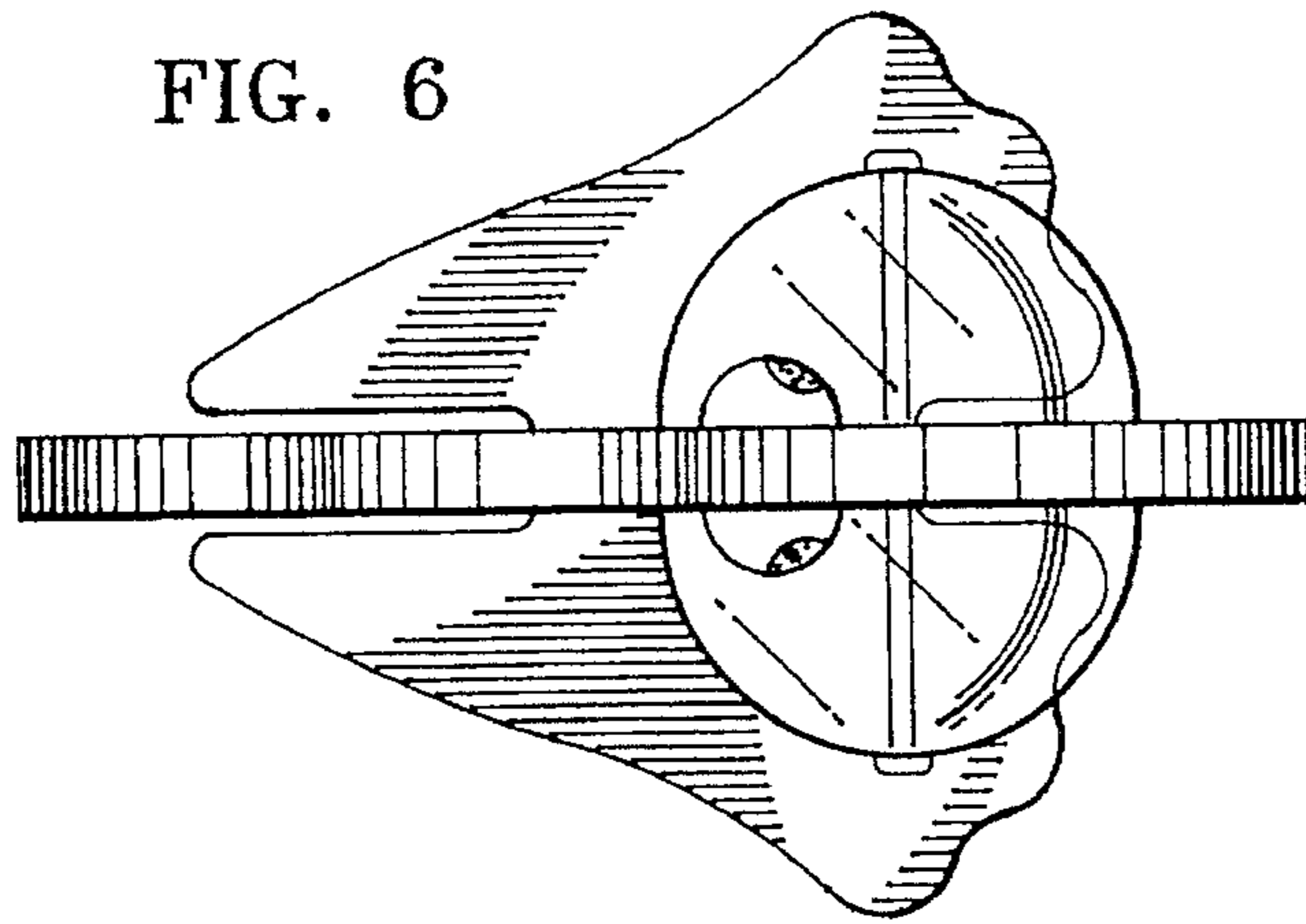


FIG. 7

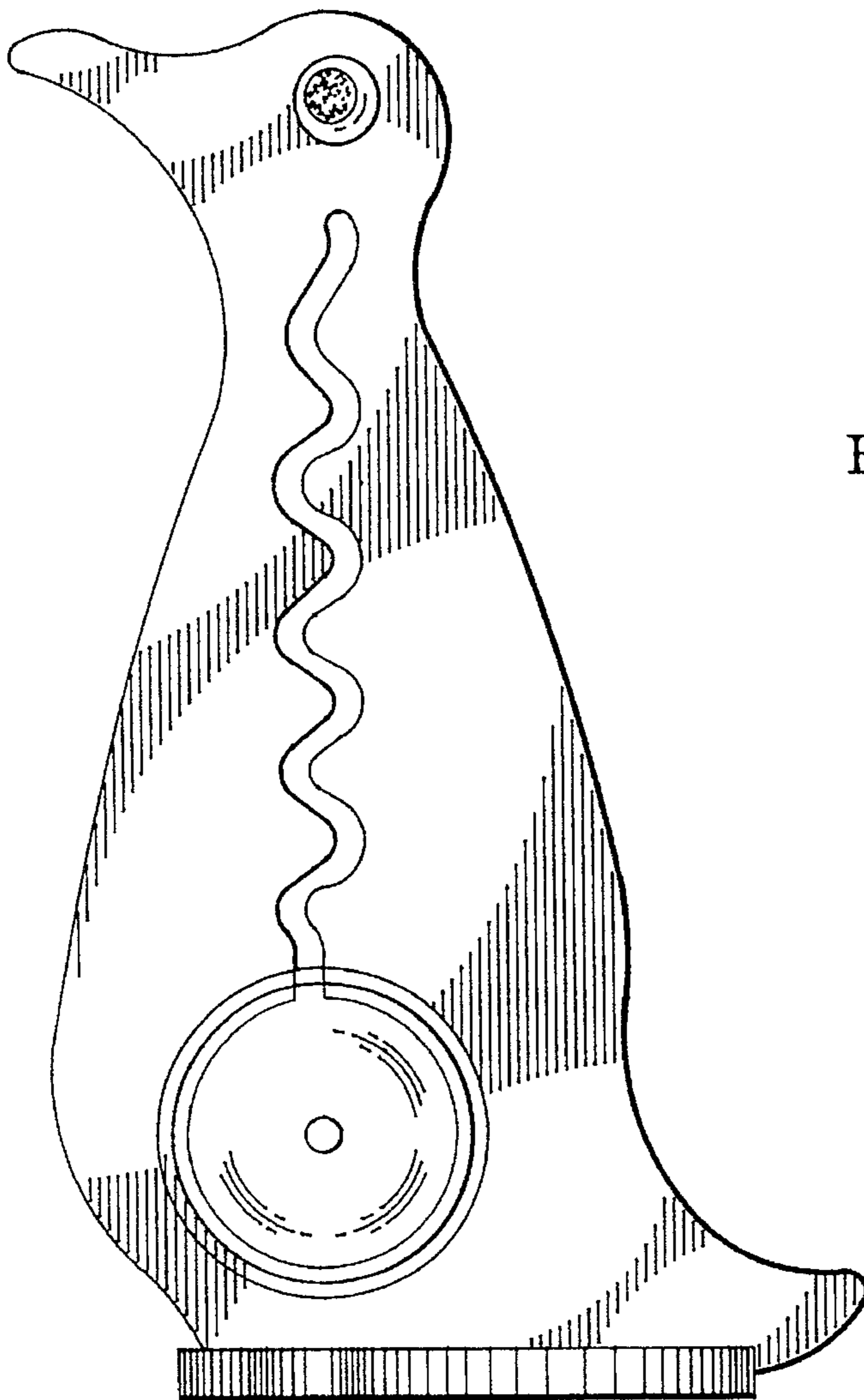


FIG. 8

