



US00D378785S

# United States Patent [19] Gearing

[11] Patent Number: **Des. 378,785**

[45] Date of Patent: **\*\*Apr. 8, 1997**

[54] **PICTURE FRAME MEMBER**  
[75] Inventor: **Robert E. Gearing**, Cape Town, South Africa  
[73] Assignee: **Rob Gearing & Associates (Proprietary) Limited**, Cape Town, South Africa

3,899,844	8/1975	Munn	40/156
4,237,632	12/1980	Segerstad	40/156
4,356,648	11/1982	Beaulieu	40/155
4,498,255	2/1985	Heard	40/156
4,516,342	5/1985	Reim	40/156
4,974,351	12/1990	Ghislanzoni	40/152
5,199,201	4/1993	Vilims	40/156
5,307,575	5/1994	Ivansson	40/156

[\*\*] Term: **14 Years**

### FOREIGN PATENT DOCUMENTS

33751	4/1971	Canada .
67799	1/1991	Canada .

[21] Appl. No.: **34,812**

[22] Filed: **Feb. 13, 1995**

### [30] Foreign Application Priority Data

Aug. 12, 1994	[ZA]	South Africa	94/0577
Aug. 12, 1994	[ZA]	South Africa	94/0578
Aug. 12, 1994	[ZA]	South Africa	94/0579

[52] **U.S. Cl.** ..... **D25/119; D6/300**

[58] **Field of Search** ..... **D25/60, 38, 136, D25/119; D6/300-302; 40/790-792, 796; 52/733.2, 733.3**

### [56] References Cited

#### U.S. PATENT DOCUMENTS

D. 51,509	11/1917	Plym	D25/119
D. 213,436	3/1969	Geltner	D25/119
D. 251,019	2/1979	Brady	D25/119
D. 288,966	3/1987	Gordon et al.	D25/119
D. 320,090	9/1991	Ermellini	D25/136
D. 344,807	3/1994	Abbatichio	D25/38
D. 348,335	6/1994	Moreau	D25/38
2,941,324	6/1960	Waxgiser	40/156
2,979,842	4/1961	De Ridder	40/156
3,386,198	6/1968	Howell	40/156
3,885,335	5/1975	Egermayer	40/125

*Primary Examiner*—Louis S. Zarfes  
*Assistant Examiner*—Gregory Andoll  
*Attorney, Agent, or Firm*—Ladas & Parry

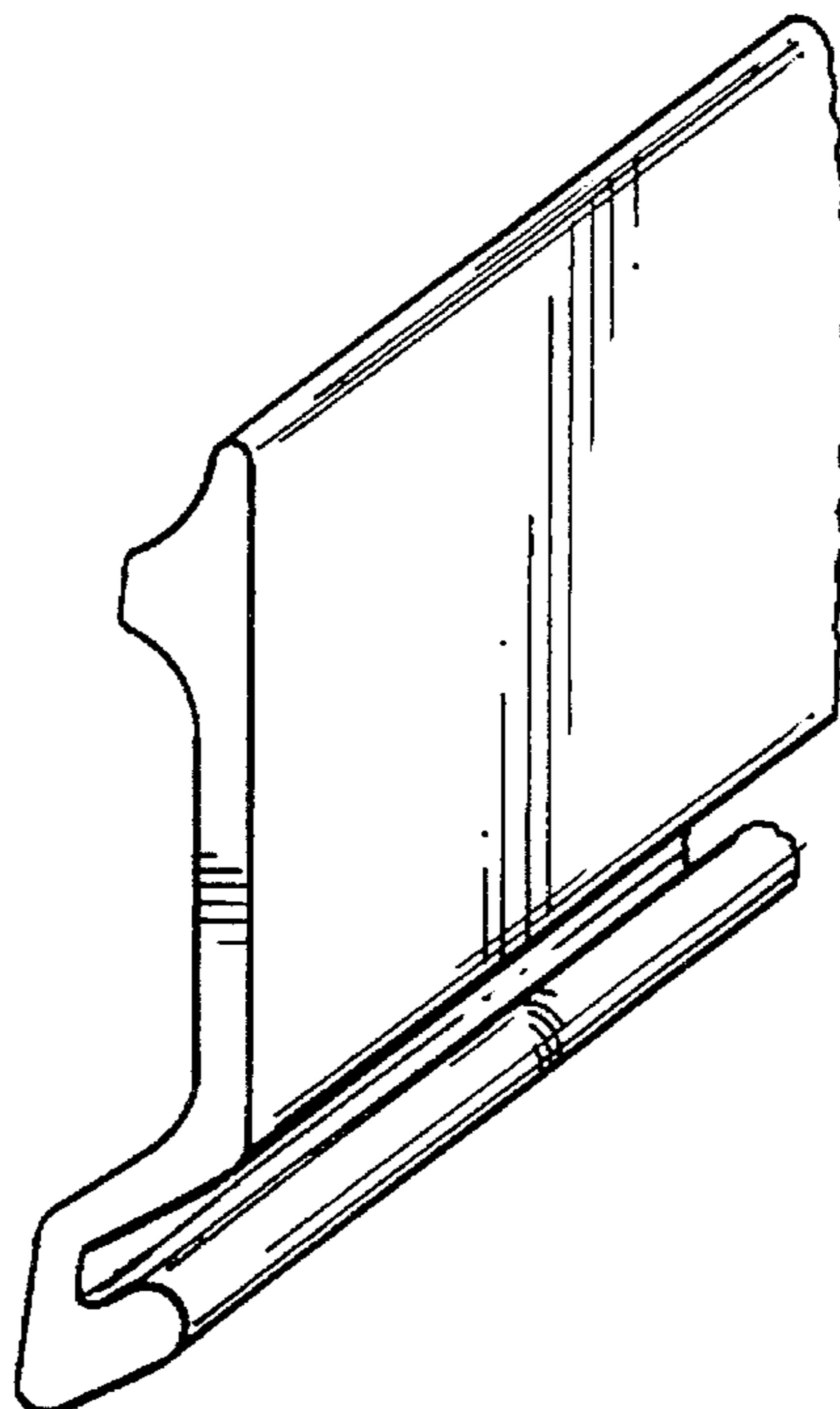
### [57] CLAIM

The ornamental design for a picture frame member, as shown and described.

### DESCRIPTION

FIG. 1 shows a three-dimensional view of a picture frame member;  
FIG. 2 shows an end view of the picture frame member of FIG. 1;  
FIG. 3 is a top view of the picture frame member of FIGS. 1 and 2;  
FIG. 4 is a bottom view of the picture frame member of FIGS. 1 and 2;  
FIG. 5 is a left side view of the picture frame member of FIGS. 1 and 2; and,  
FIG. 6 is a right side view of the picture frame member of FIGS. 1 and 2.  
The picture frame member shown is of indeterminate length.

**1 Claim, 2 Drawing Sheets**



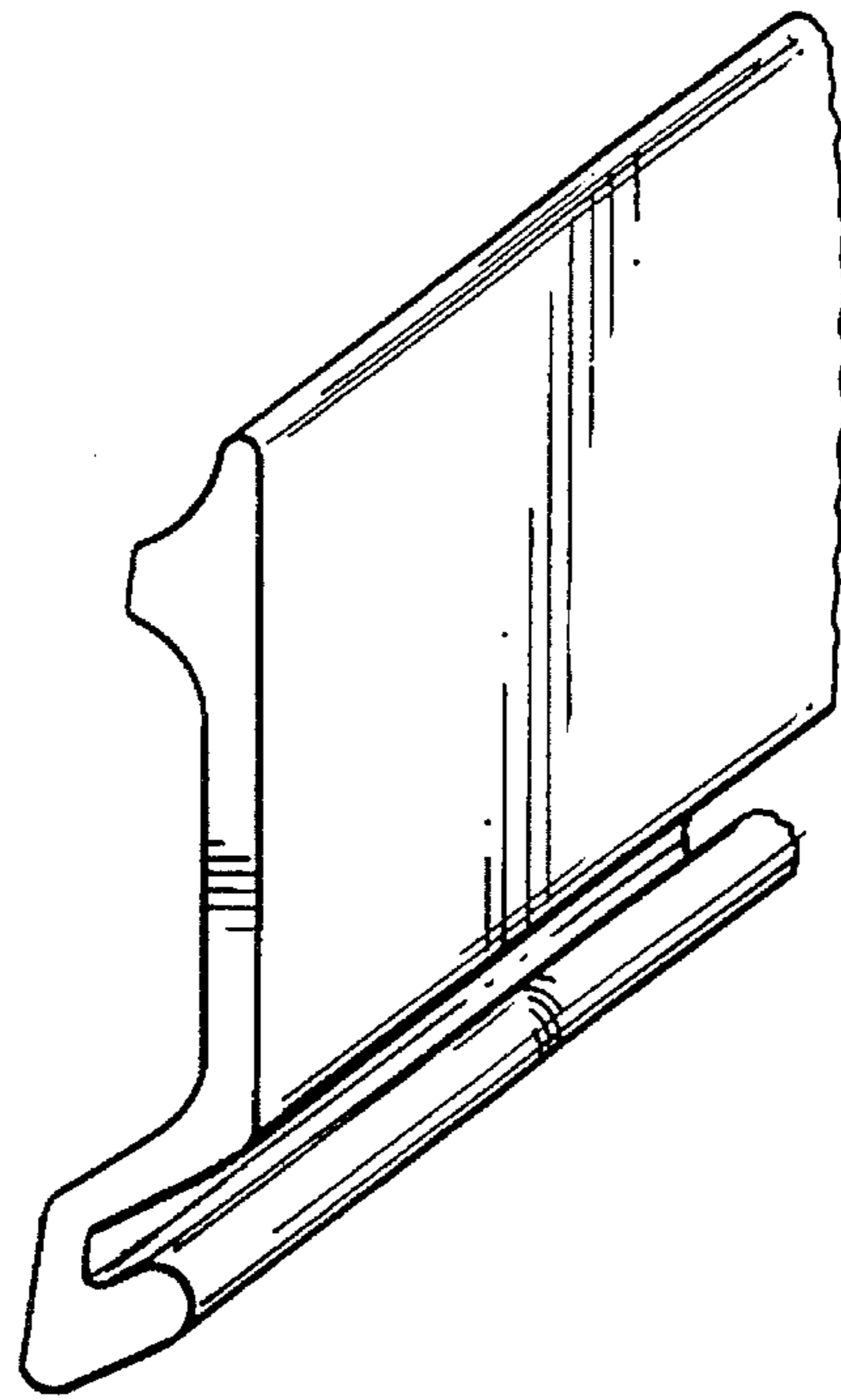


FIG. 1

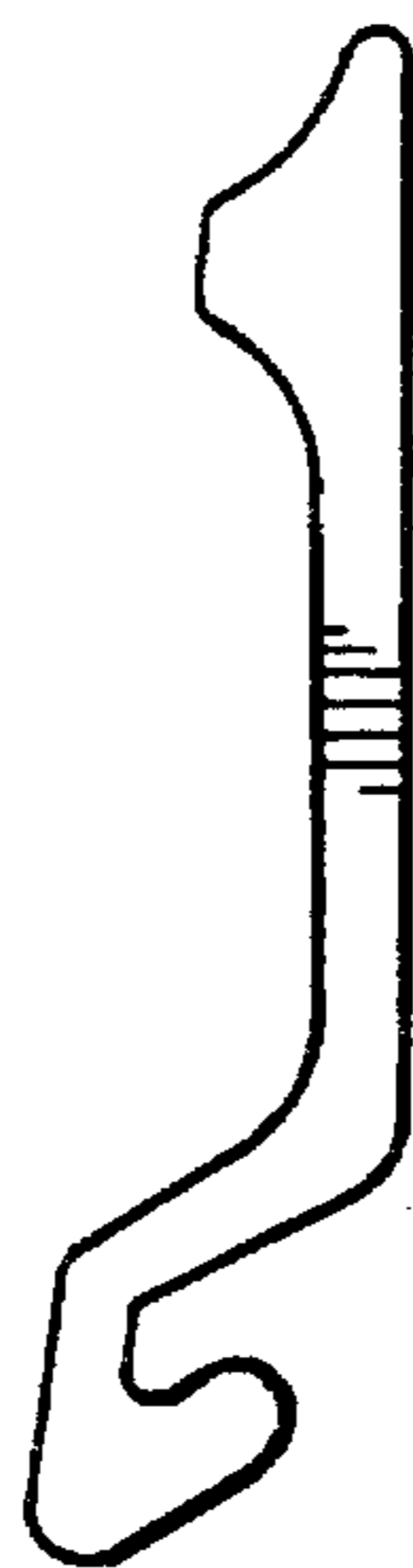


FIG. 2

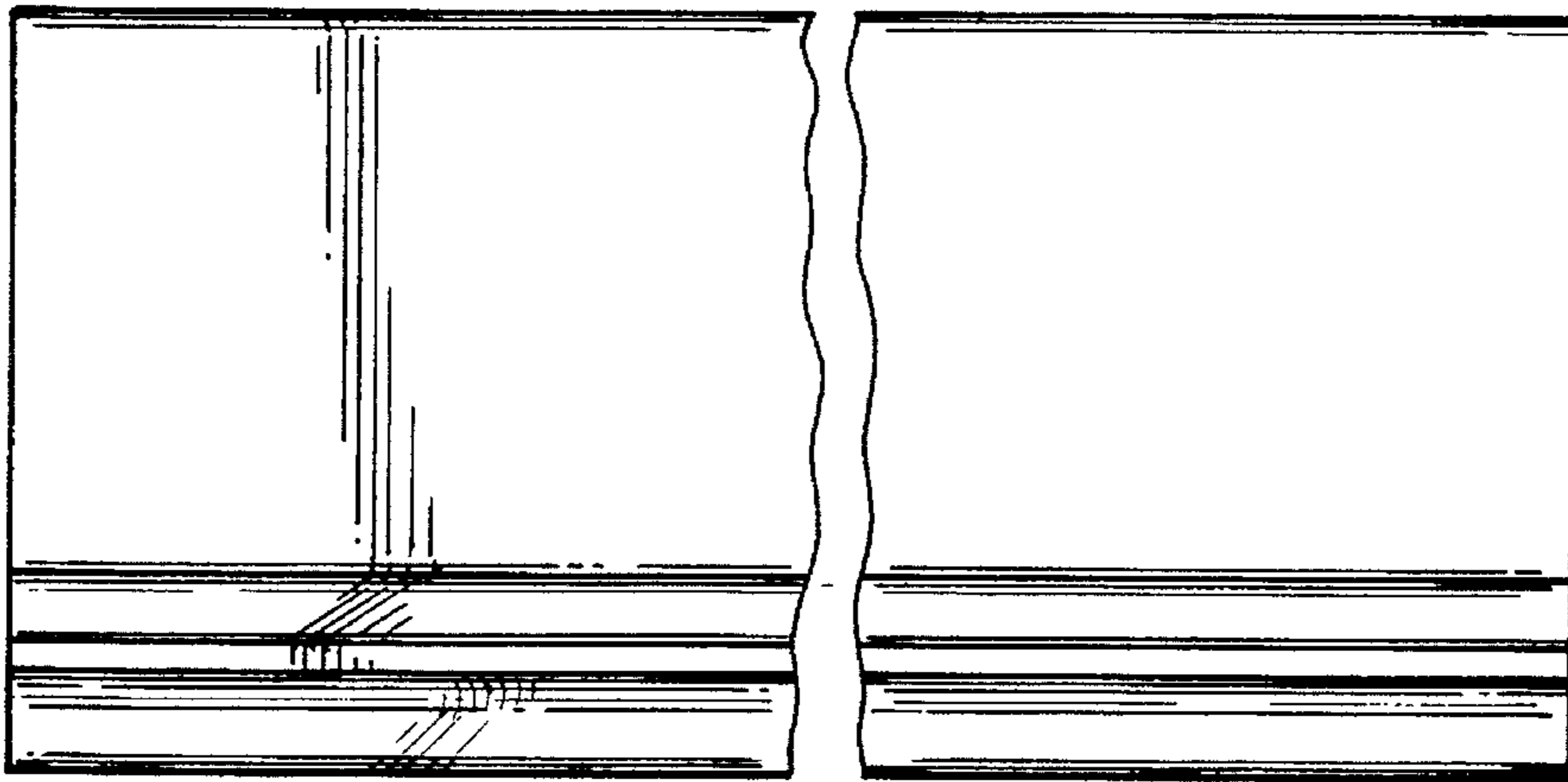


FIG. 6

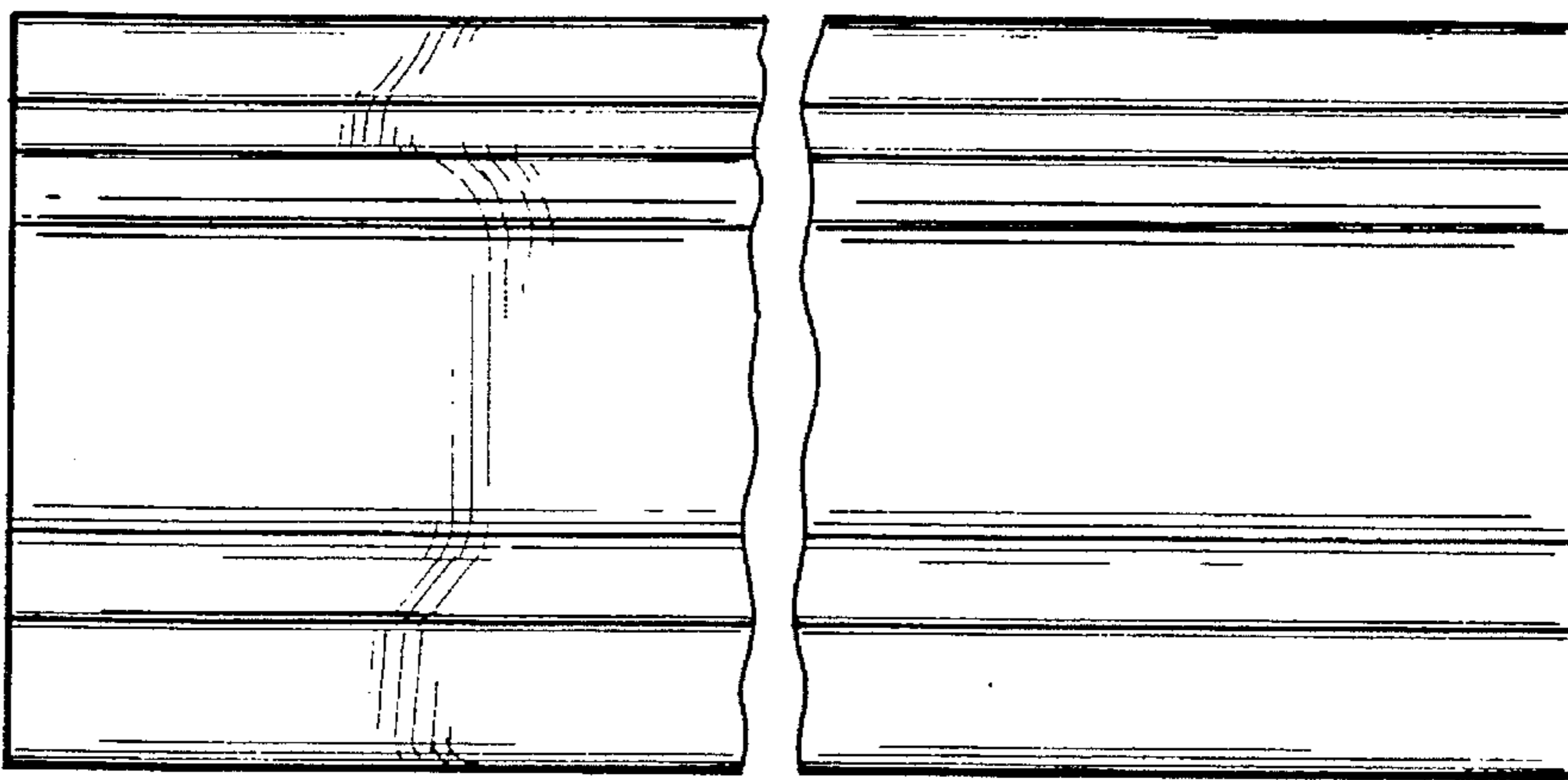


FIG. 5



FIG. 4



FIG. 3