



US00D378782S

United States Patent [19]

LaBarbera et al.

[11] **Patent Number:** **Des. 378,782**

[45] **Date of Patent:** ****Apr. 8, 1997**

[54] **PROCESSOR FOR NUCLEIC ACID
DETECTION**

D. 339,636 9/1993 Uchiyama D24/230 X
D. 351,469 10/1994 Okamoto D24/169

[75] Inventors: **Angelo M. LaBarbera**, Honeoye;
Daniel P. Salotto, Rochester, both of
N.Y.

[73] Assignee: **Johnson & Johnson Clinical
Diagnostics, Inc.**, Rochester, N.Y.

[**] Term: **14 Years**

[21] Appl. No.: **51,055**

[22] Filed: **Mar. 1, 1996**

[52] U.S. Cl. **D24/232**; D10/81; D24/216;
D24/231

[58] Field of Search D24/230, 231,
D24/186; D10/81; 422/62, 63, 68.1, 78,
70, 89, 99; 435/810, 69.1

[56] **References Cited**

U.S. PATENT DOCUMENTS

D. 305,684 1/1990 Kanewske, III et al. D24/186
D. 330,596 10/1992 Frenkel et al. D24/186

OTHER PUBLICATIONS

“Clinical Lab Products”, Jan. 1996, p. 24.

Primary Examiner—Louis S. Zarfes

Assistant Examiner—I. Simmons

Attorney, Agent, or Firm—Dana M. Schmidt

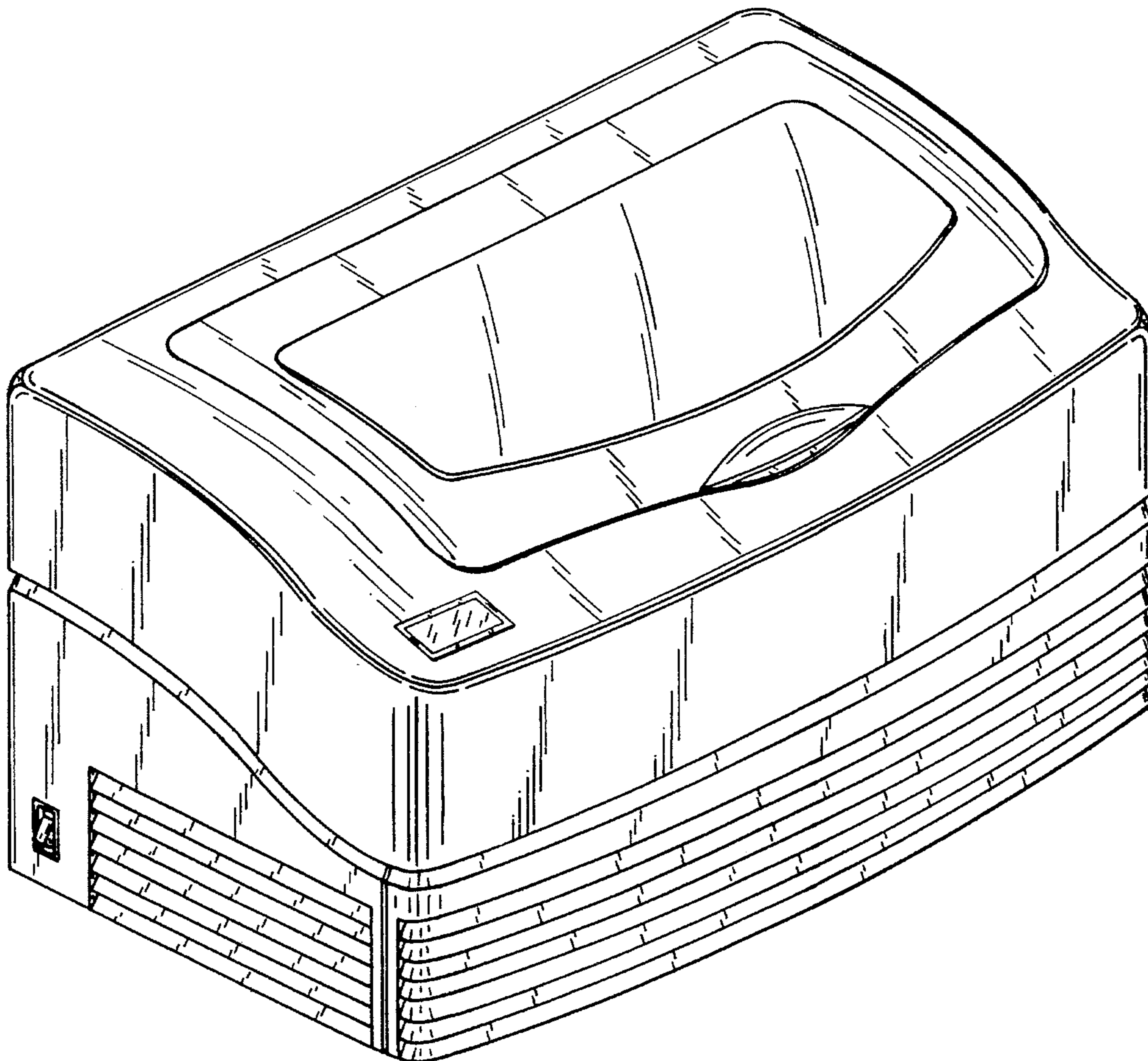
[57] **CLAIM**

The ornamental design for a processor for nucleic acid detection, as shown and described.

DESCRIPTION

FIG. 1 is a perspective view of a processor for nucleic acid detection, showing our new design;
FIG. 2 is a top plan view thereof;
FIG. 3 is a left-side elevational view thereof;
FIG. 4 is a front elevational view thereof;
FIG. 5 is a back elevational view thereof;
FIG. 6 is a bottom plan view thereof; and,
FIG. 7 is a right-side elevational view thereof.

1 Claim, 7 Drawing Sheets



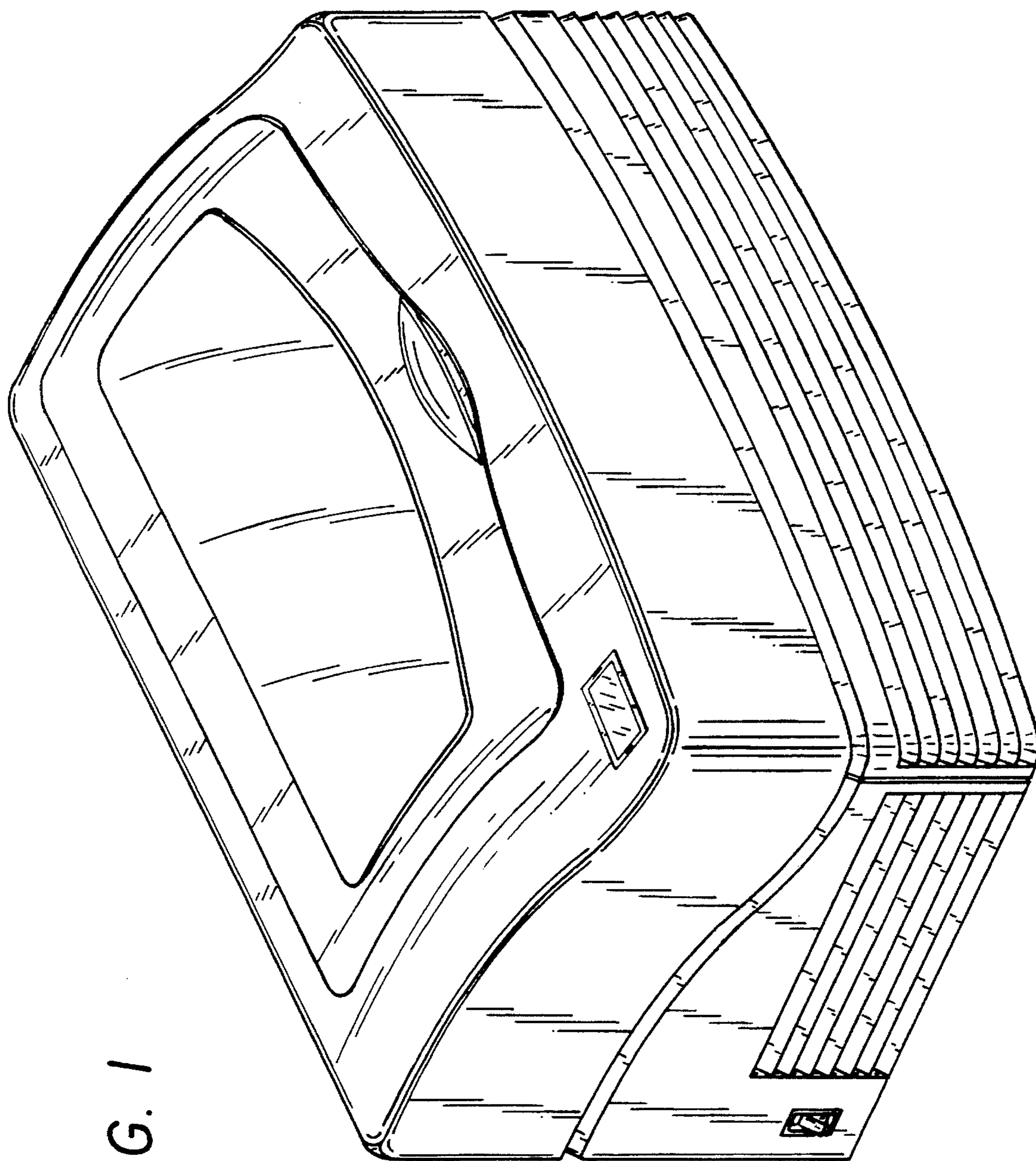


FIG. 1

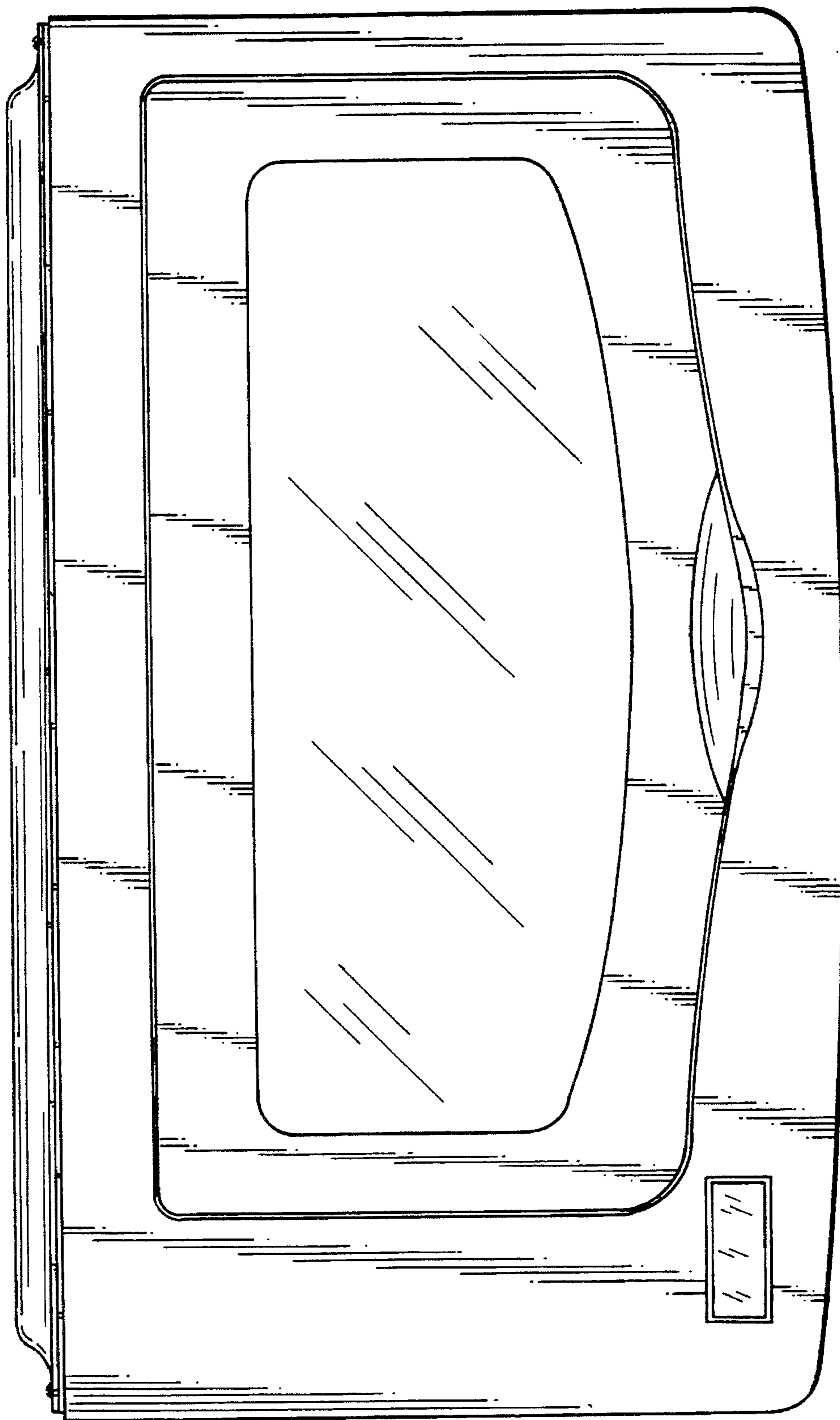


FIG. 2

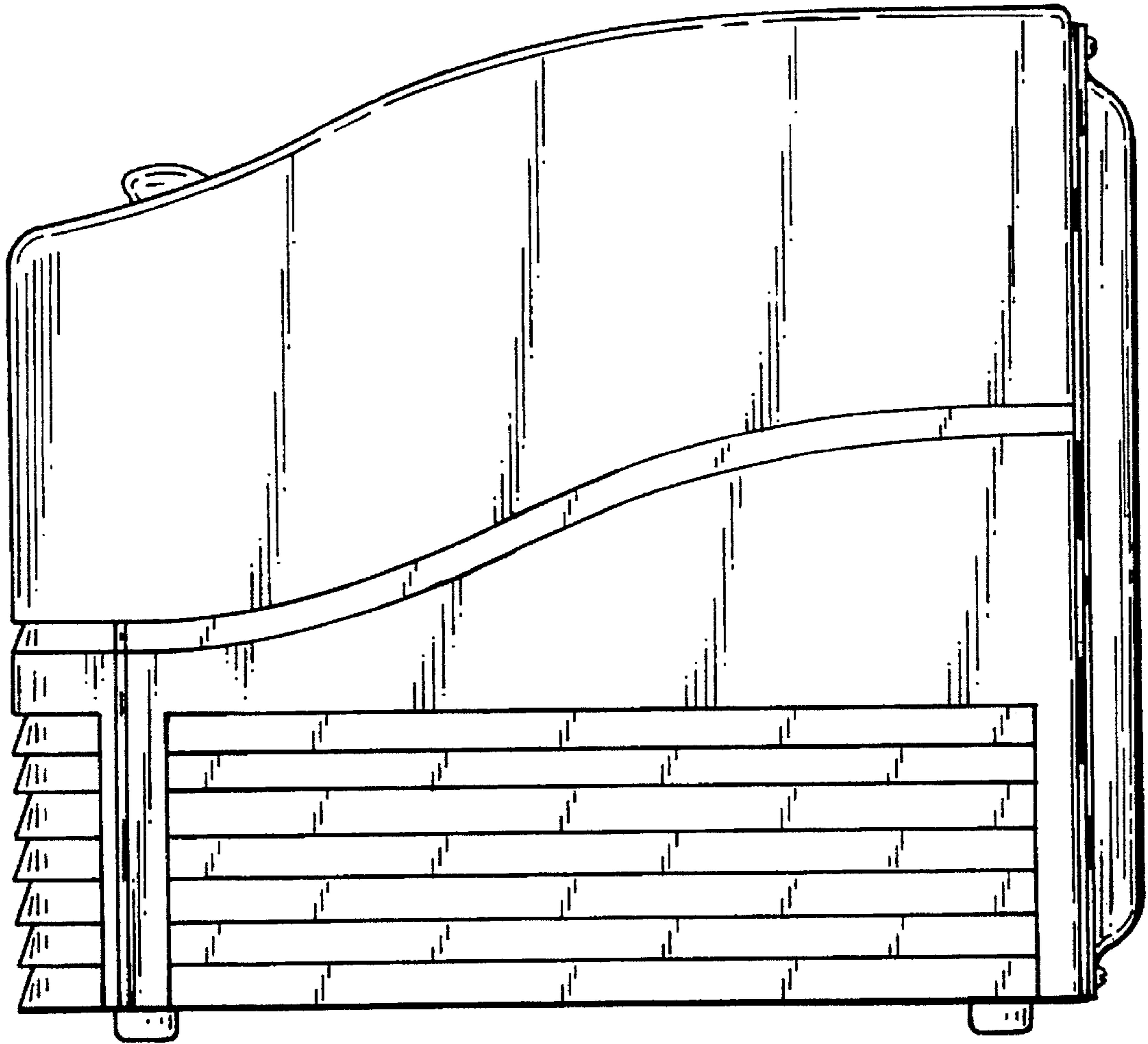


FIG. 3

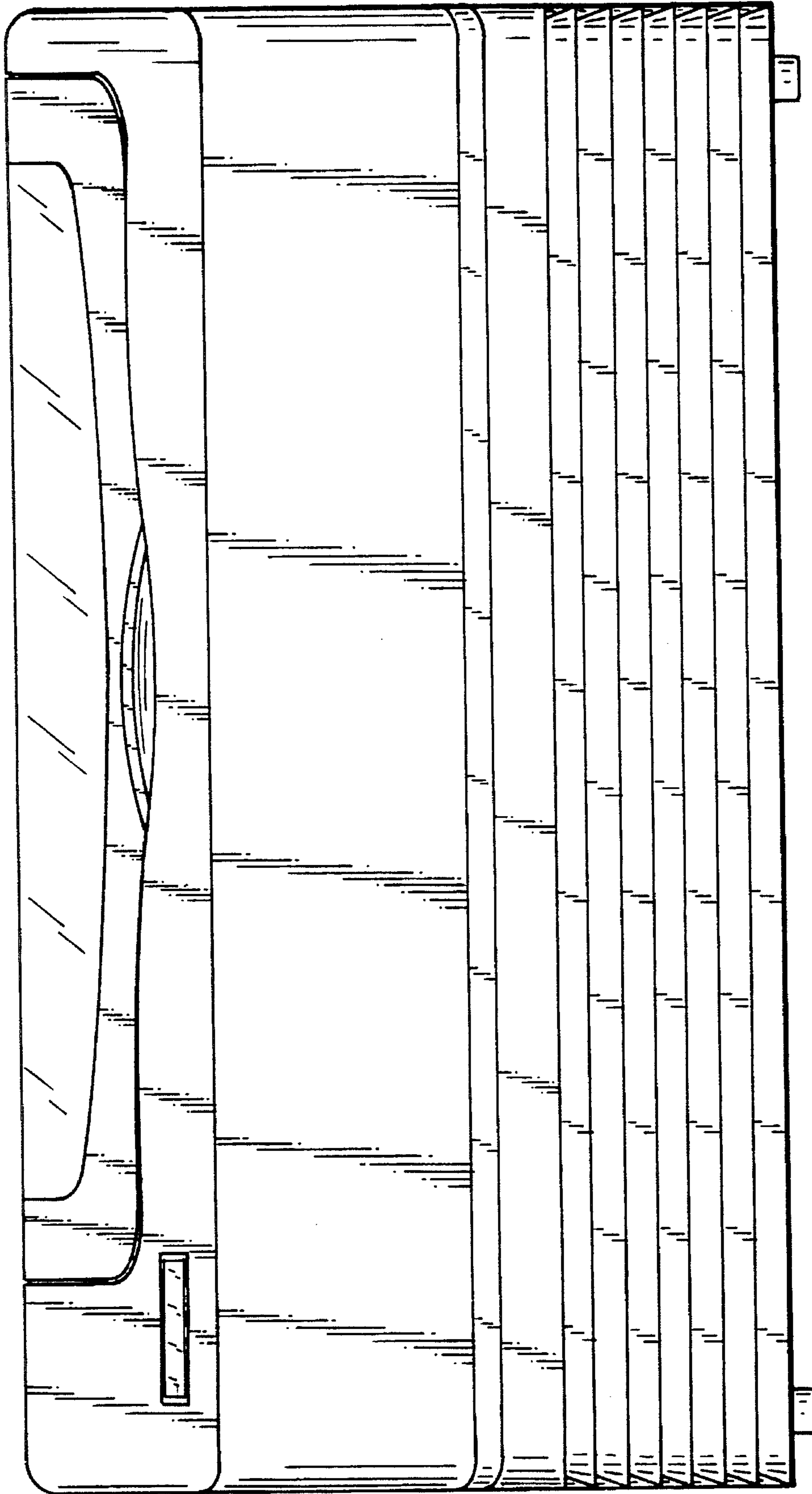


FIG. 4

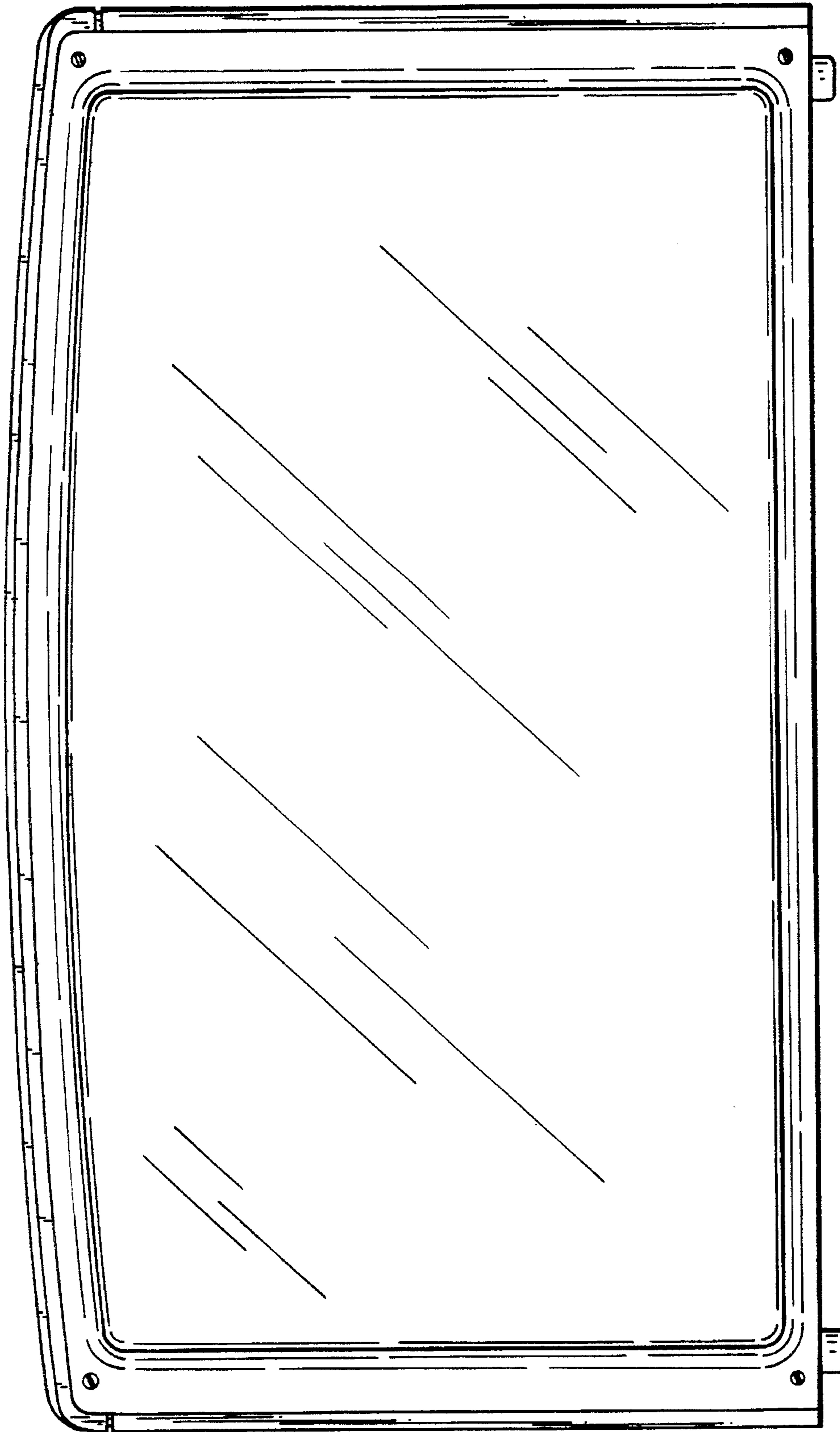


FIG. 5

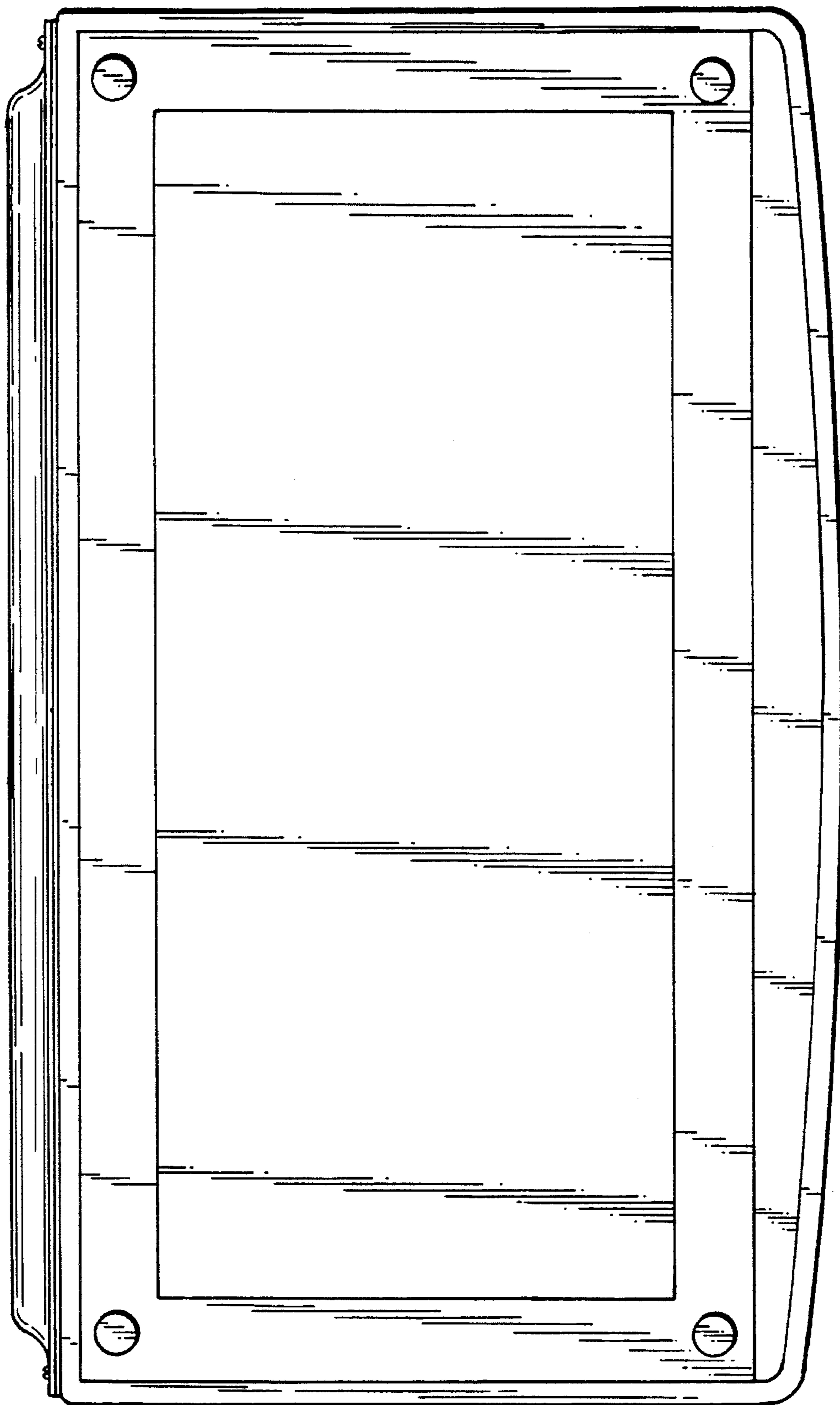


FIG. 6

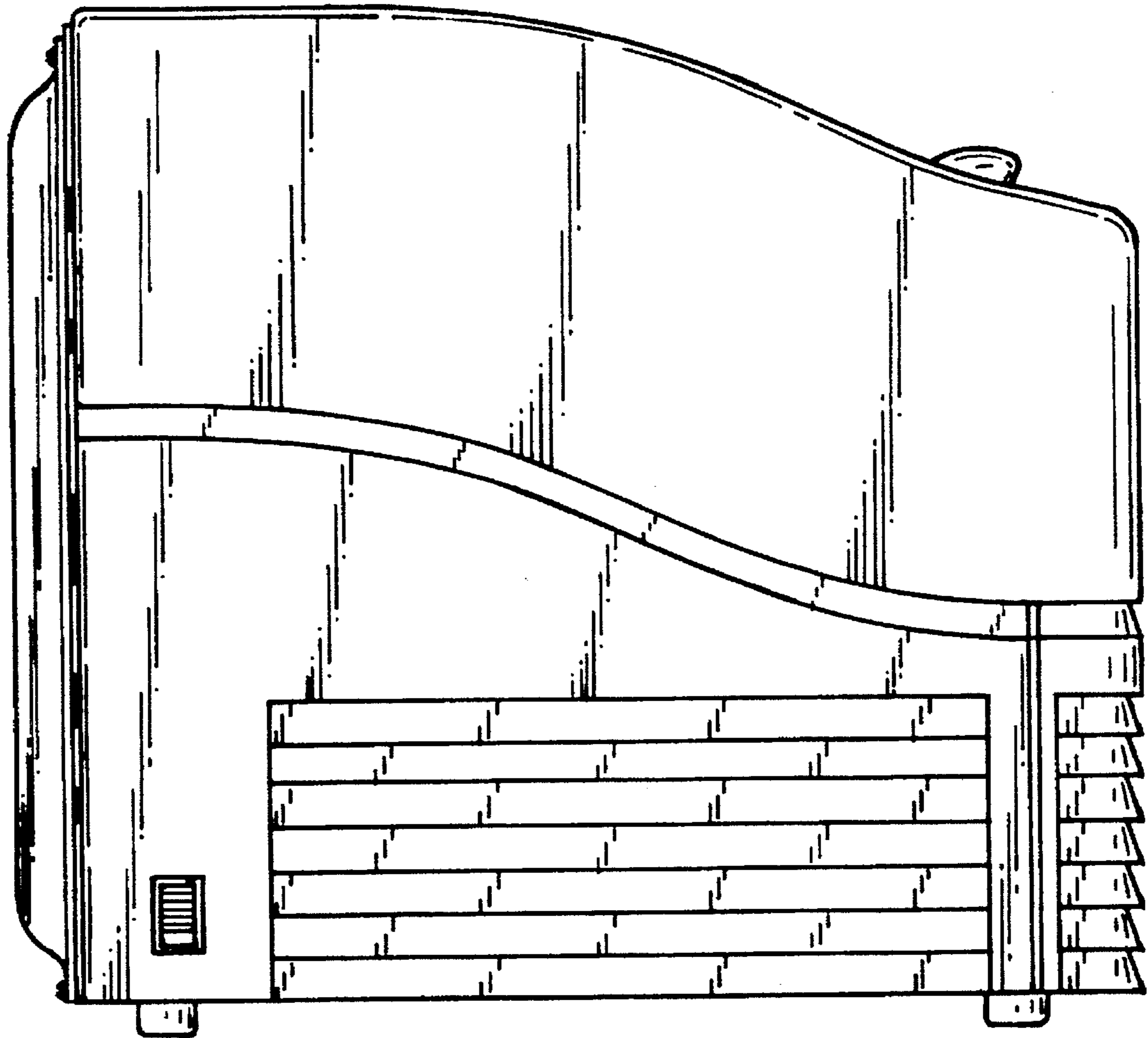


FIG. 7