



US00D378781S

United States Patent [19]

[11] Patent Number: **Des. 378,781**

Stevens et al.

[45] Date of Patent: ****Apr. 8, 1997**

[54] CULTURE SLIDE

[75] Inventors: **Timothy A. Stevens**, Madison; **Tadeusz A. Tyndorf**, Manalapan, both of N.J.

[73] Assignee: **Becton, Dickinson and Company**, Franklin Lakes, N.J.

[**] Term: **14 Years**

[21] Appl. No.: **39,859**

[22] Filed: **Jun. 6, 1995**

[52] U.S. Cl. **D24/224; D24/225**

[58] Field of Search **D24/225, 226, D24/224, 227; 359/398, 246; 435/305.1, 305.4, 305.3, 286.6, 286.2, 240, 305; 422/100, 102**

[56] **References Cited**

U.S. PATENT DOCUMENTS

Re. 33,826	2/1992	Mitchell	359/398
D. 227,360	6/1973	Lou	D24/225
D. 235,785	7/1975	Collister	D24/226
3,141,547	7/1964	Newby	206/1
3,572,892	3/1971	Metzgar et al.	350/95
3,725,004	4/1973	Johnson et al.	435/305.3 X
3,726,764	4/1973	White	195/127
3,726,767	4/1973	White	195/127
3,745,091	7/1973	McCormick	195/139
3,879,106	4/1975	McCormick	350/95
3,961,346	6/1976	White	356/244

4,039,247	8/1977	Lawman et al.	350/95
4,299,920	11/1991	Peters	435/305.4 X
4,387,972	6/1983	Valencia	350/536
4,637,693	1/1987	Mitchell	350/536
4,715,911	12/1987	Johansson et al.	156/69
4,722,598	2/1988	Ford	350/536
4,974,952	12/1990	Focht	350/536
5,002,377	3/1991	Battifora et al.	350/535
5,417,576	5/1995	Hill	435/305.4 X
5,484,731	1/1996	Stevens	435/305.3

FOREIGN PATENT DOCUMENTS

2617500	1/1989	France	435/305.1
---------	--------	--------	-----------

Primary Examiner—Louis S. Zarfes

Assistant Examiner—I. Simmons

Attorney, Agent, or Firm—Nanette S. Thomas

[57] **CLAIM**

The ornamental design for a culture slide, as shown and described.

DESCRIPTION

FIG. 1 is a top and front perspective view of the culture slide;

FIG. 2 is a top plan view thereof;

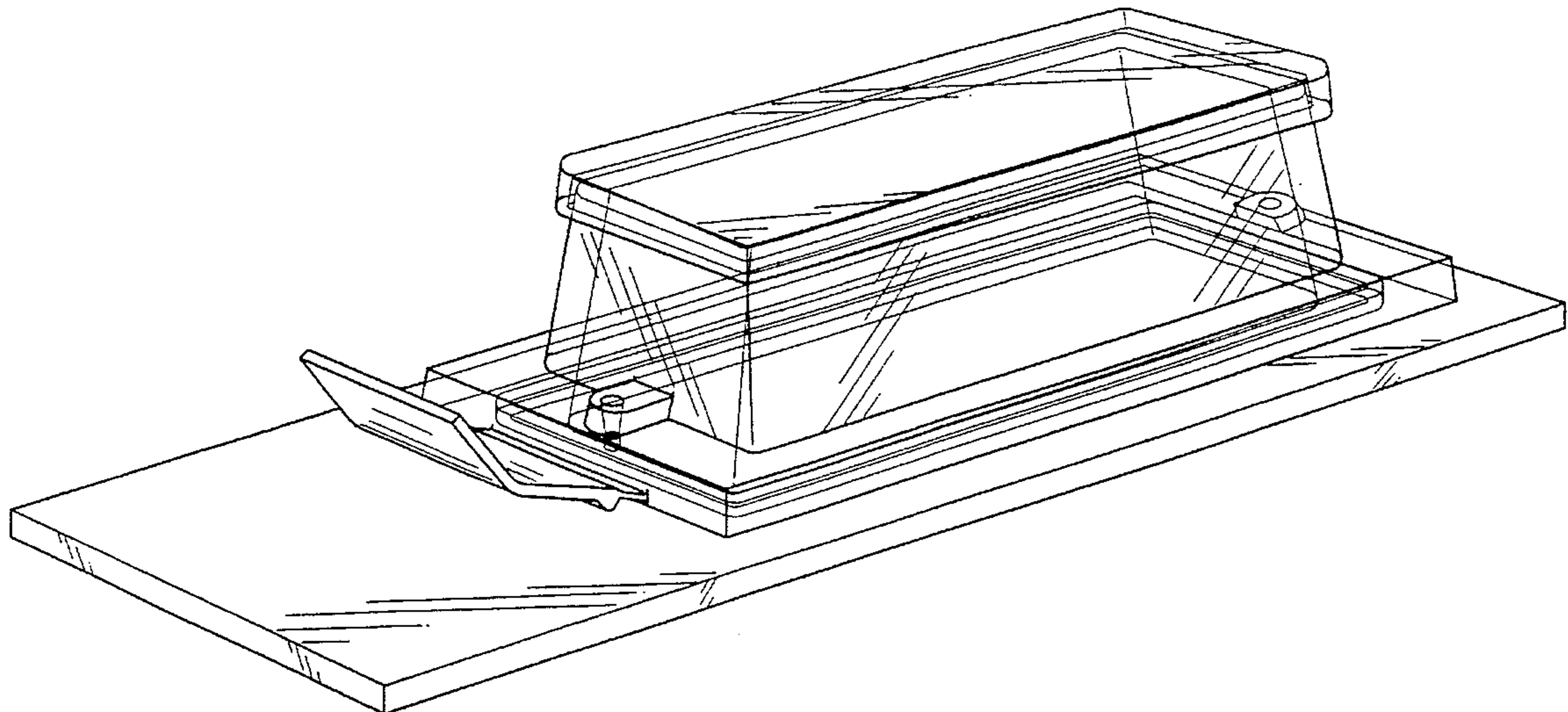
FIG. 3 is a front elevational view thereof;

FIG. 4 is a side elevational view thereof;

FIG. 5 is a rear elevational view thereof; and,

FIG. 6 is an exploded perspective.

1 Claim, 4 Drawing Sheets



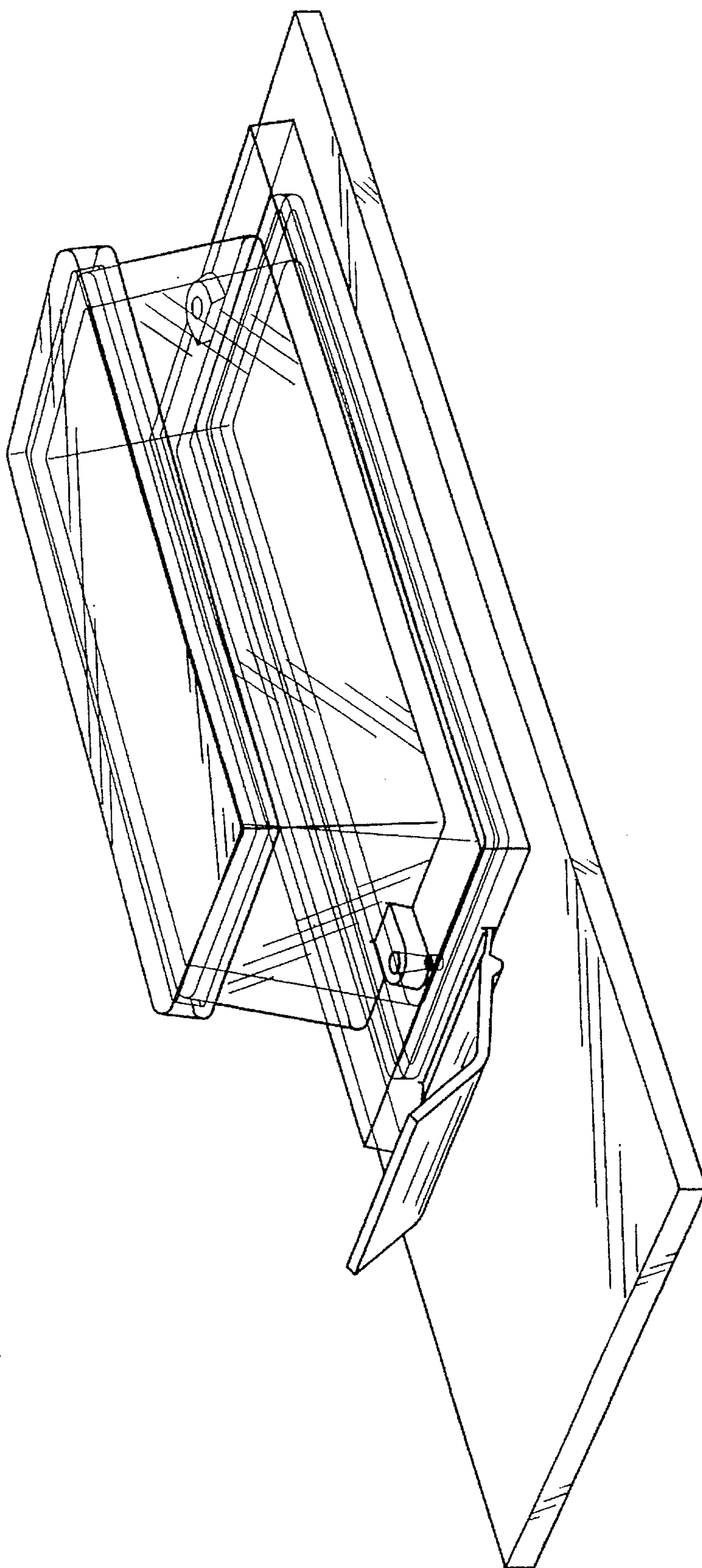


FIG-1

FIG-2

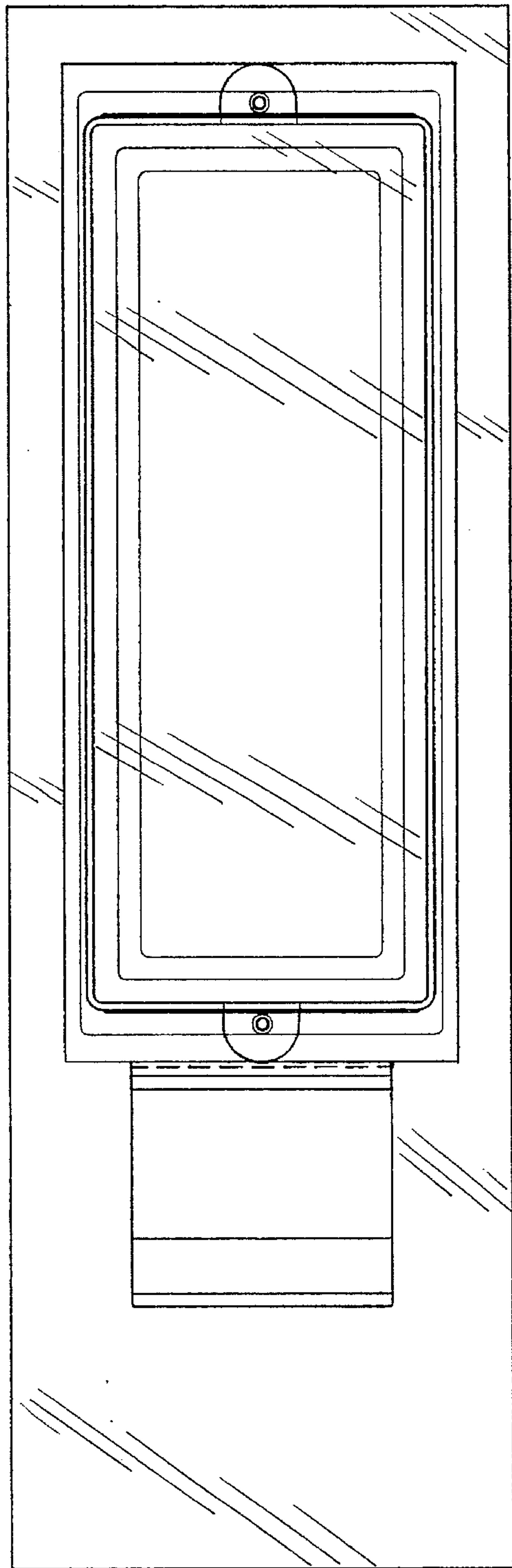


FIG-3

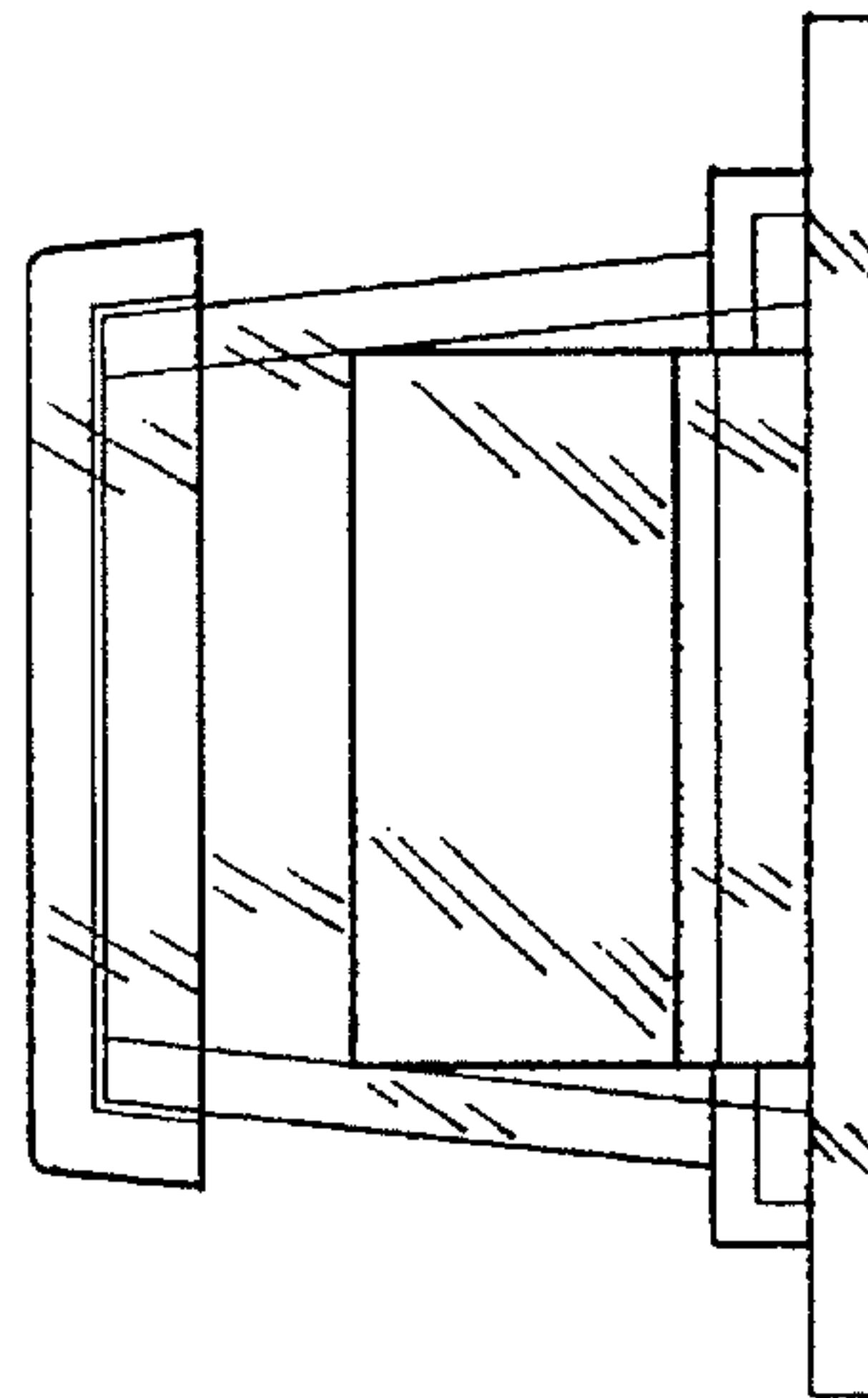


FIG-4

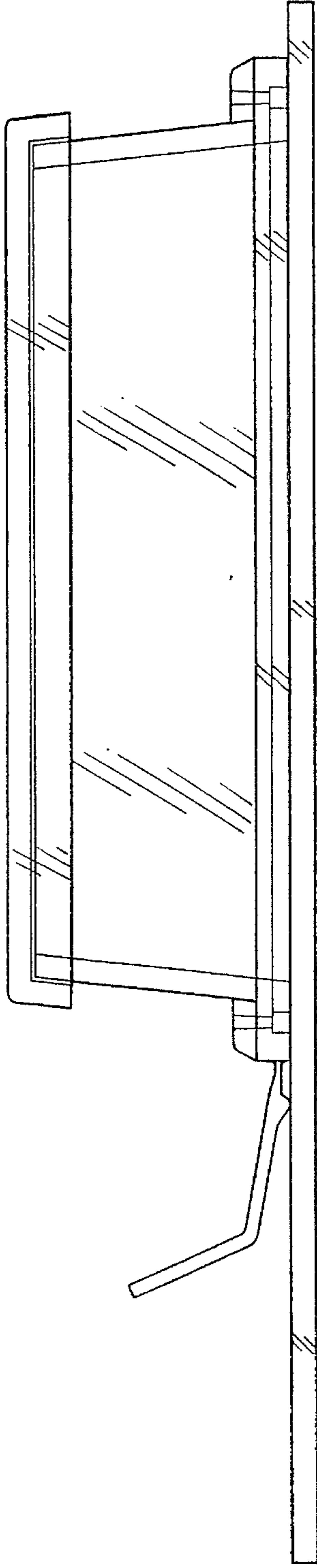
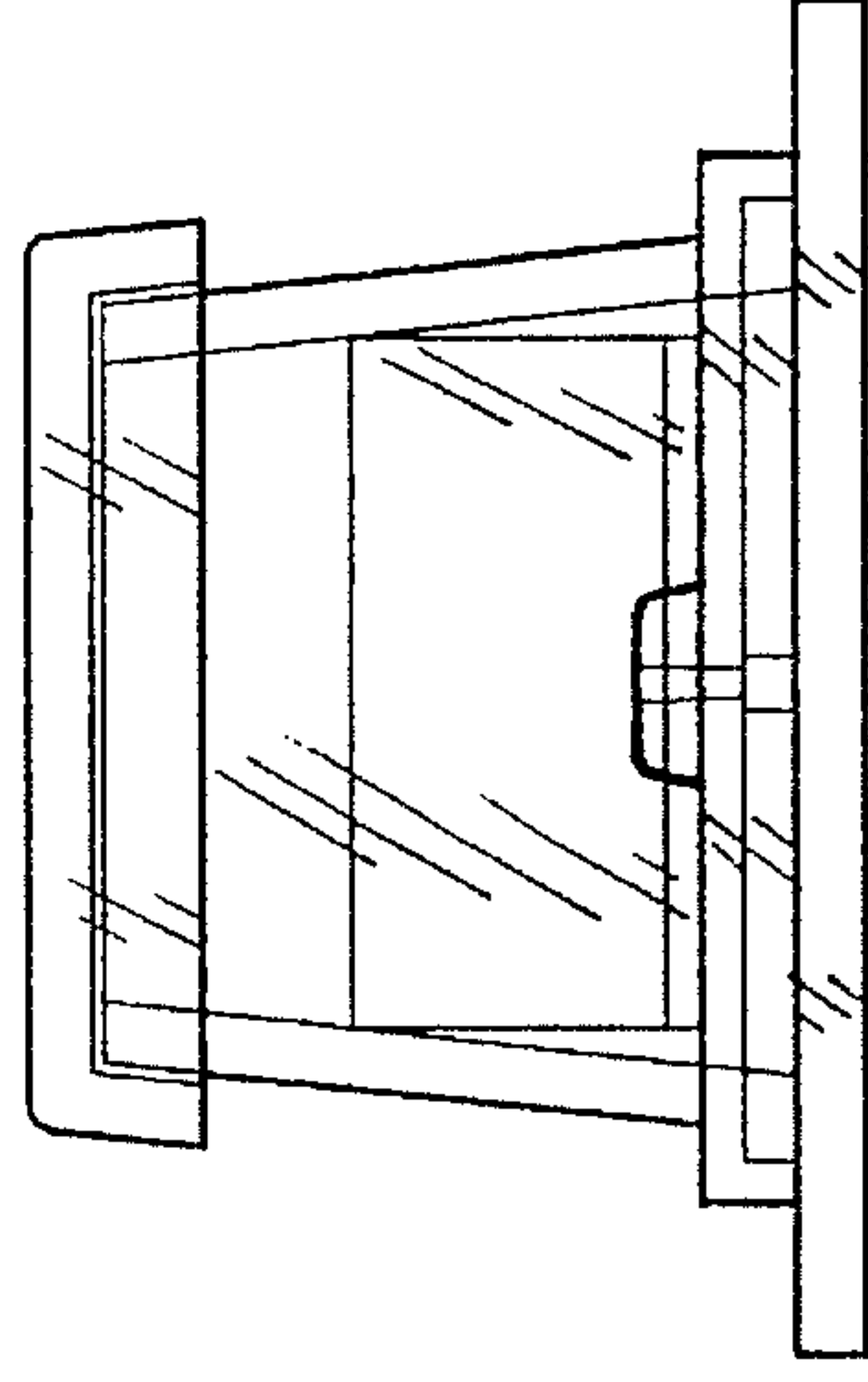


FIG-5



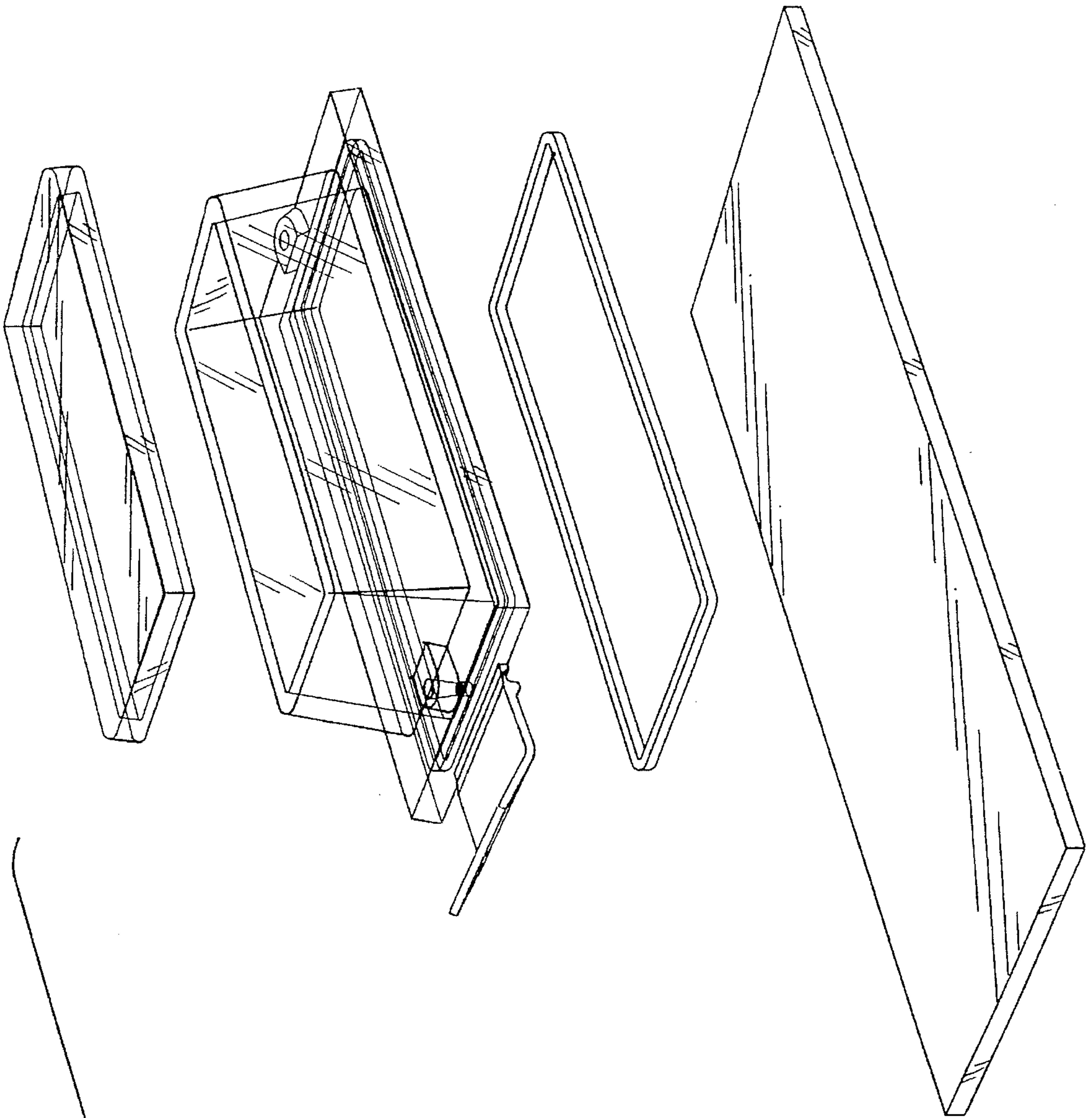


FIG-6