



US00D378777S

United States Patent [19]
Hohenthaner

[11] **Patent Number:** **Des. 378,777**
[45] **Date of Patent:** ****Apr. 8, 1997**

[54] **BIDET**
[75] **Inventor:** **Franz G. Hohenthaner, München, Germany**
[73] **Assignee:** **American Standard Inc., Piscataway, N.J.**
[**] **Term:** **14 Years**
[21] **Appl. No.:** **39,243**
[22] **Filed:** **May 25, 1995**

D. 272,382 1/1984 Bengtson D23/295
D. 310,559 9/1990 Cors D23/295
D. 325,248 4/1992 McKeone D23/295
D. 345,200 3/1994 Kawamura et al. D23/295
D. 355,025 1/1995 Konler, Jr. et al. D23/295

Primary Examiner—Stella Reid
Assistant Examiner—Eric Watterson
Attorney, Agent, or Firm—Ann M. Knab; Elaine Brenner Robinson

Related U.S. Application Data

[62] Division of Ser. No. 13,177, Sep. 20, 1993, Pat. No. Des. 360,935.
[52] **U.S. Cl.** **D23/295**
[58] **Field of Search** D23/395-301;
4/300, 329-332, 353, 354, 363-365, 420.1-420.5, 443-448

[57] **CLAIM**

The ornamental design for bidet, as shown and described.

DESCRIPTION

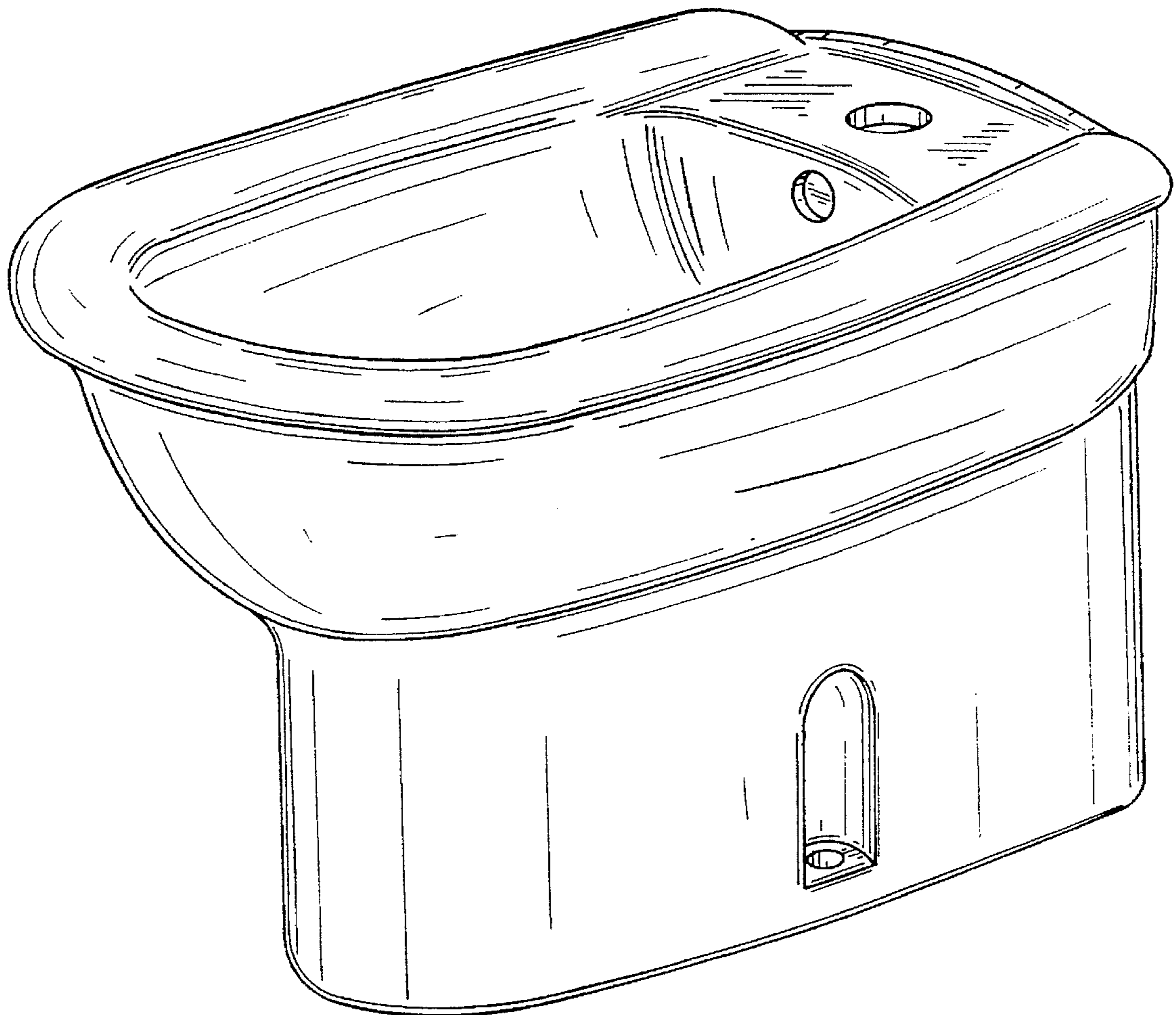
FIG. 1 is a top, front and right side perspective view of a bidet showing my new design;
FIG. 2 is a left side elevational view thereof;
FIG. 3 is a front side elevational view thereof;
FIG. 4 is a top plan view thereof;
FIG. 5 is a bottom plan view thereof; and,
FIG. 6 is a rear elevational view thereof.

[56] **References Cited**

U.S. PATENT DOCUMENTS

D. 256,609 8/1980 Primouff D23/295

1 Claim, 4 Drawing Sheets



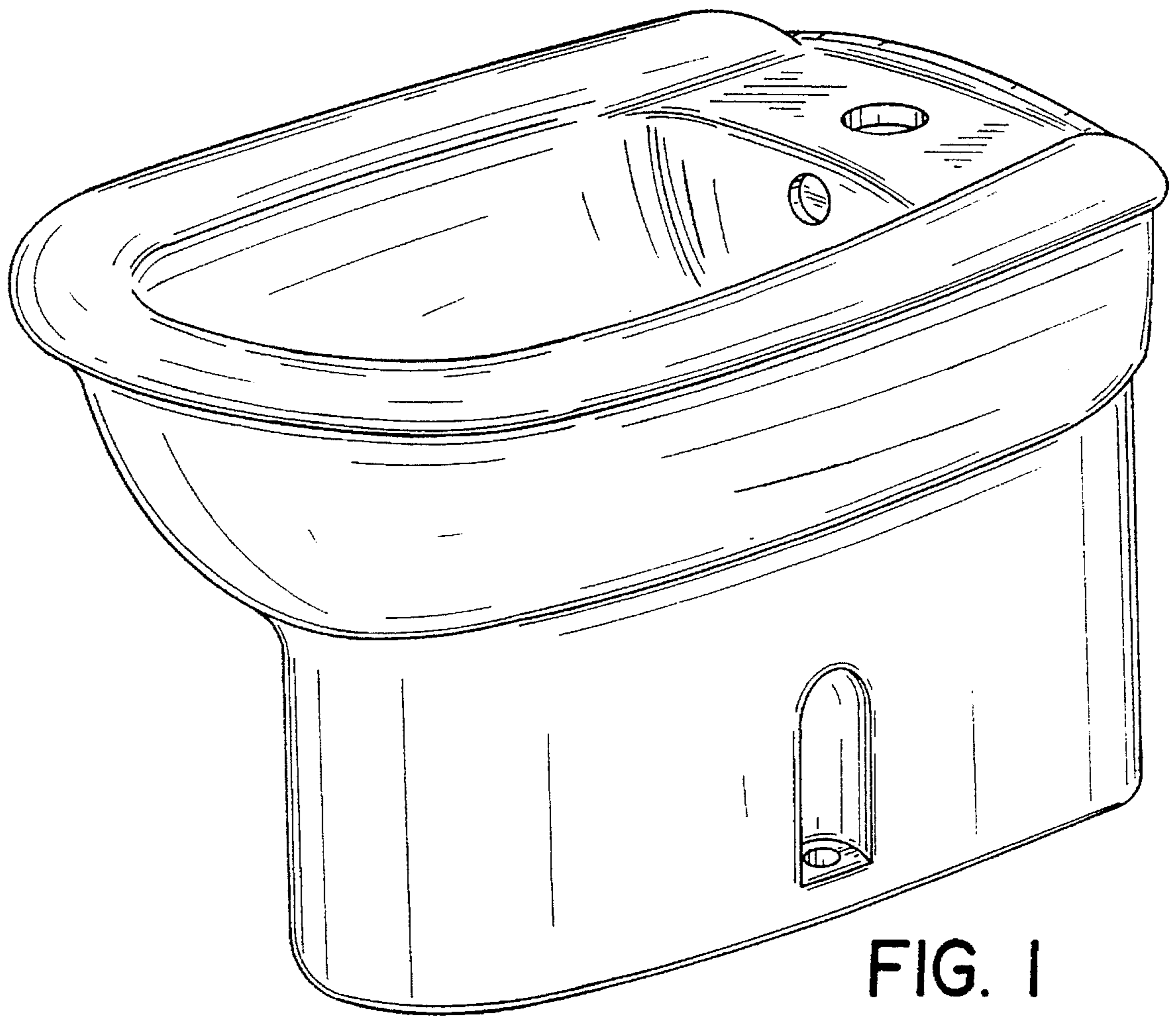


FIG. 1

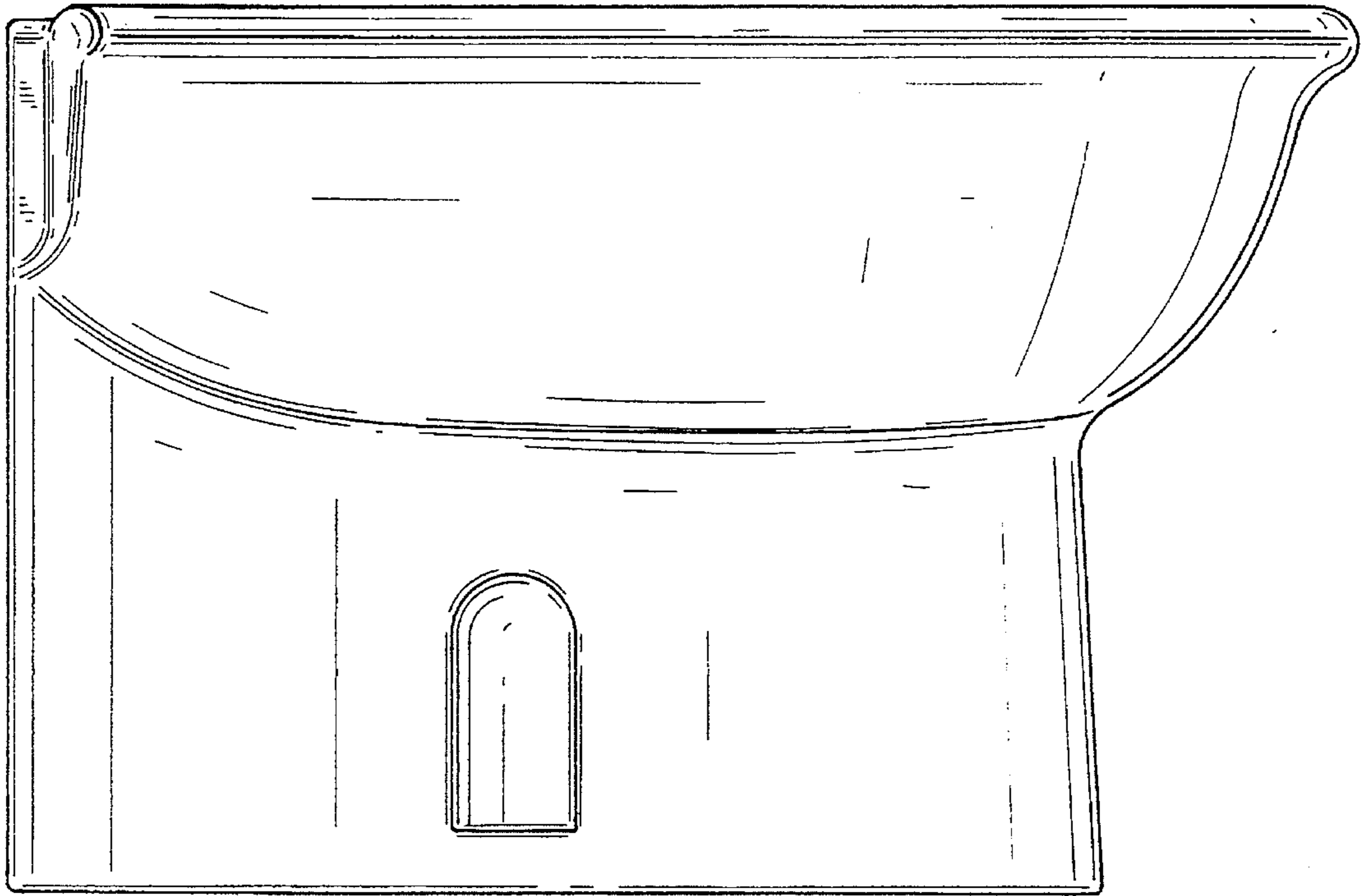


FIG. 2

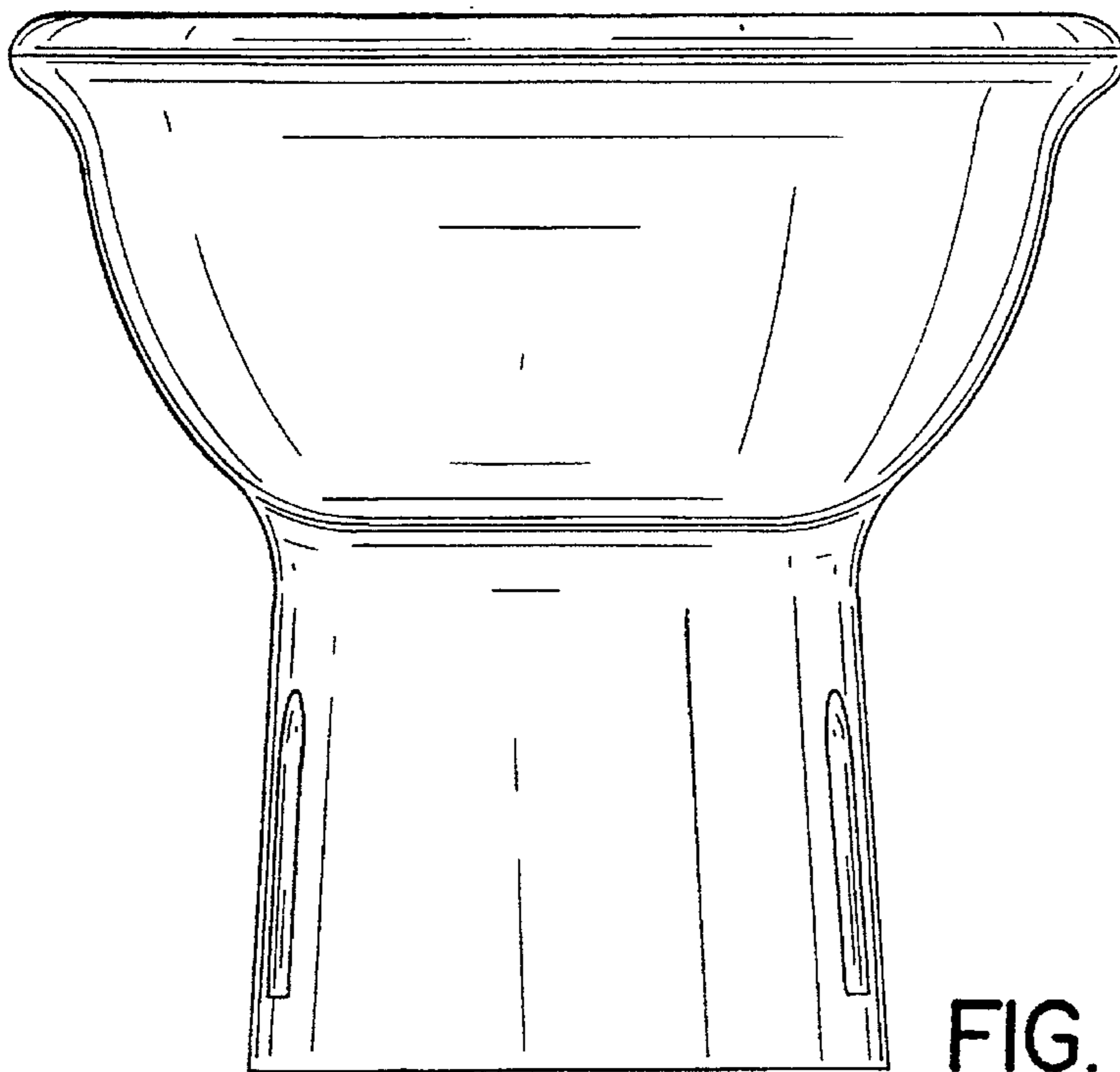


FIG. 3

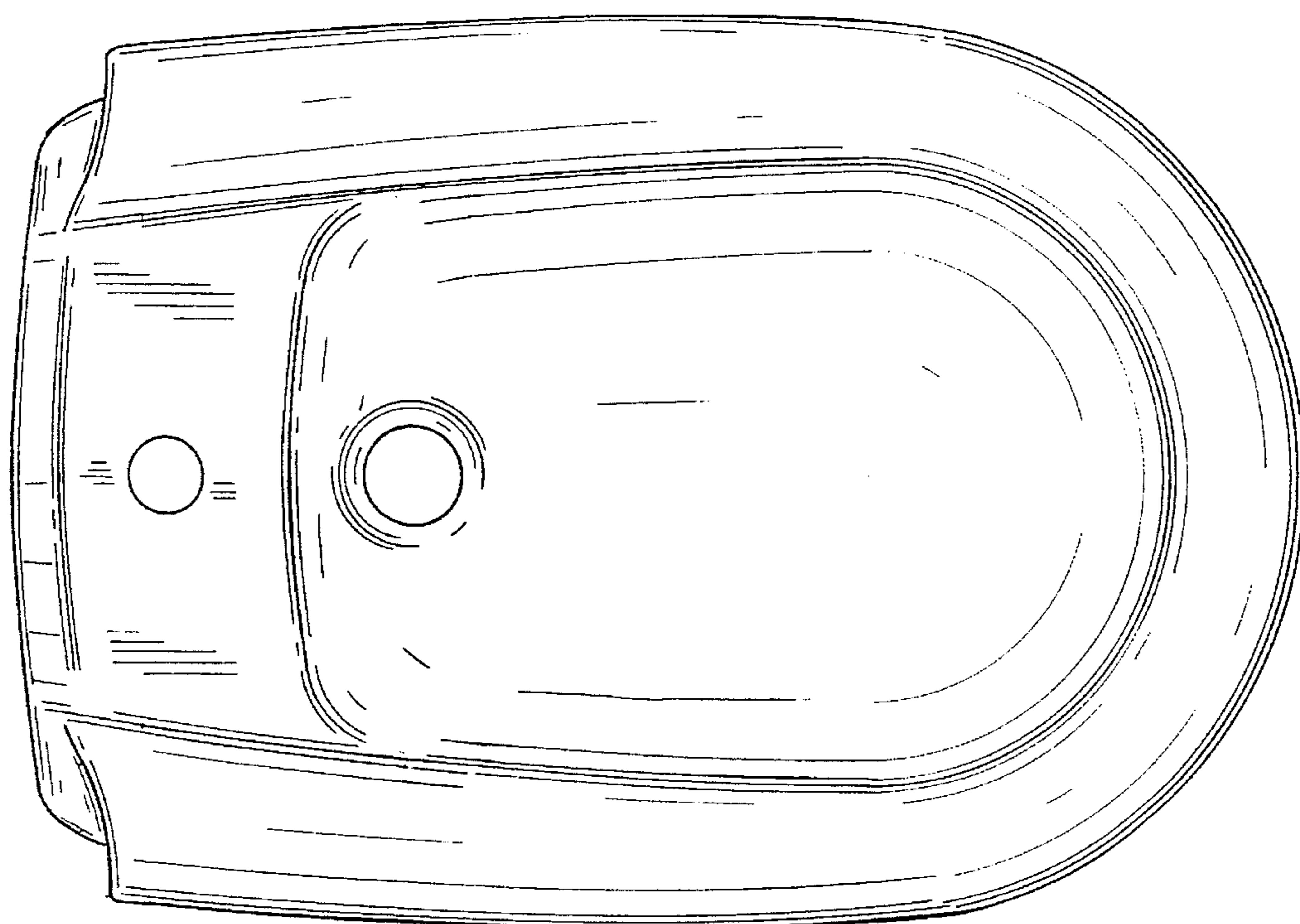


FIG. 4

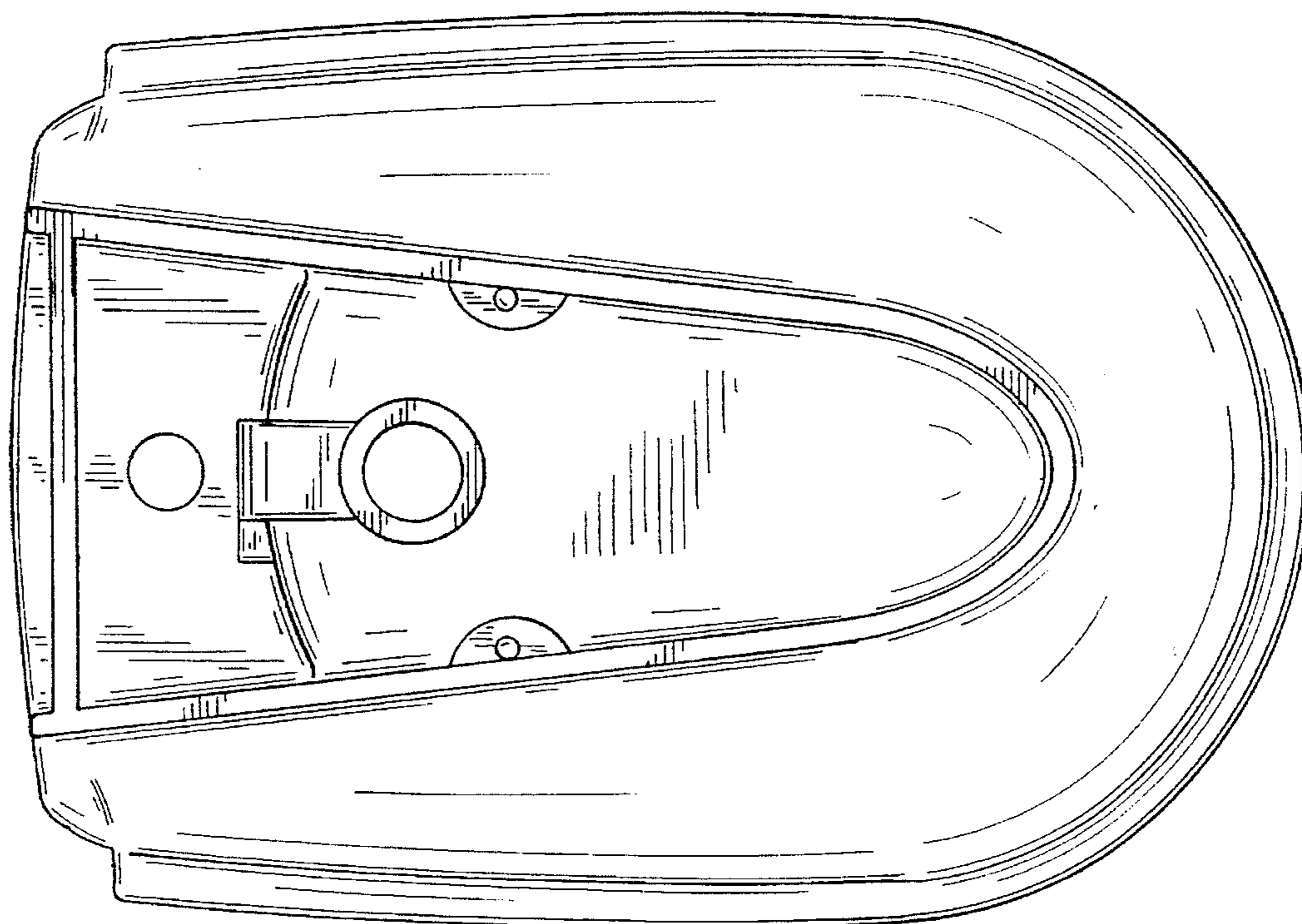


FIG. 5

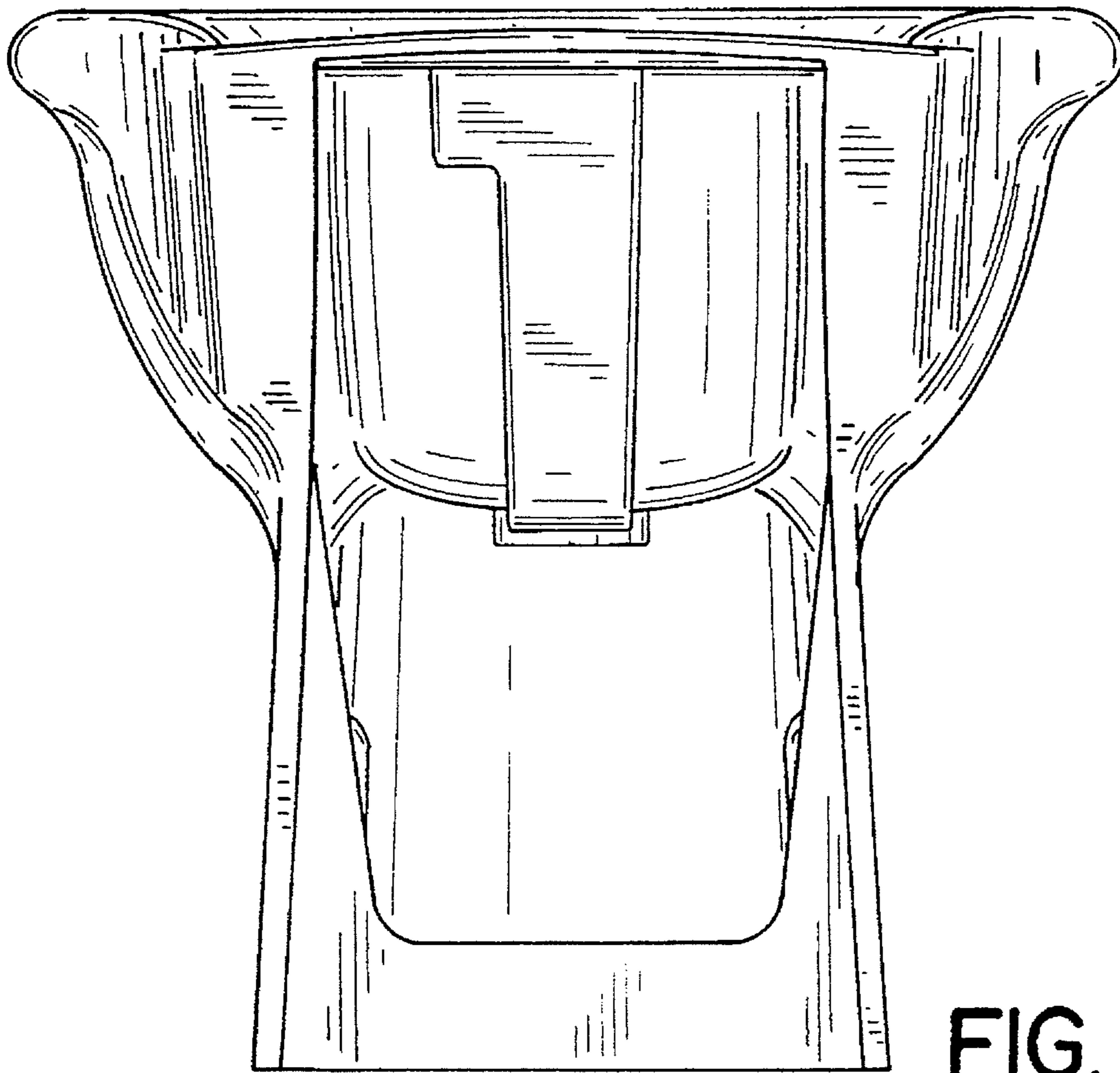


FIG. 6