



US00D378774S

United States Patent [19]
Kergoet

[11] **Patent Number: Des. 378,774**

[45] **Date of Patent: **Apr. 8, 1997**

[54] **FAUCET**

[75] **Inventor: Francois Kergoet, Malakoff, France**

[73] **Assignee: Jacob Delafon, Paris, France**

[**] **Term: 14 Years**

[21] **Appl. No.: 45,952**

[22] **Filed: Nov. 3, 1995**

[52] **U.S. Cl. D23/238**

[58] **Field of Search D23/238-243,
D23/250-257; 4/675-678; 137/801**

[56] **References Cited**

U.S. PATENT DOCUMENTS

D. 293,599	1/1988	Bergmann et al.	D23/238 X
D. 293,876	1/1988	Bergmann et al.	D23/238
D. 333,864	3/1993	Chretien	D23/238
D. 334,797	4/1993	Chretien	D23/238
D. 335,917	5/1993	Chretien	D23/238
D. 353,184	12/1989	Formgren	D23/257
D. 353,441	12/1994	Haug et al.	D23/238
D. 355,706	2/1995	Chretien	D23/238
D. 365,624	12/1995	Gottwald	D23/238

OTHER PUBLICATIONS

Undated Jacob Delafon catalog ad, p. 287, showing a "Biarritz" faucet.

Primary Examiner—Stella Reid
Assistant Examiner—Eric Watterson
Attorney, Agent, or Firm—Quarles & Brady

[57] **CLAIM**

The ornamental design for a faucet, as shown and described.

DESCRIPTION

FIG. 1 is a right, top, front perspective view of a faucet embodying my new design;

FIG. 2 is a left side elevational view thereof, the right side elevational view being a mirror image of the left side shown;

FIG. 3 is a front elevational view thereof;

FIG. 4 is a top plan view thereof;

FIG. 5 is a rear elevational view thereof;

FIG. 6 is a bottom plan view thereof;

FIG. 7 is a right, top, front perspective view of a second embodiment of my new design;

FIG. 8 is a left side elevational view thereof, the right side elevational view being a mirror image of the left side shown;

FIG. 9 is a rear elevational view thereof; and,

FIG. 10 is a top plan view thereof.

The front and bottom views of the second embodiment are the same as that shown in FIGS. 3 and 6.

The broken line representations of holes in FIGS. 5 and 9 are for purposes of illustration only, and form no part of the claimed design.

1 Claim, 5 Drawing Sheets

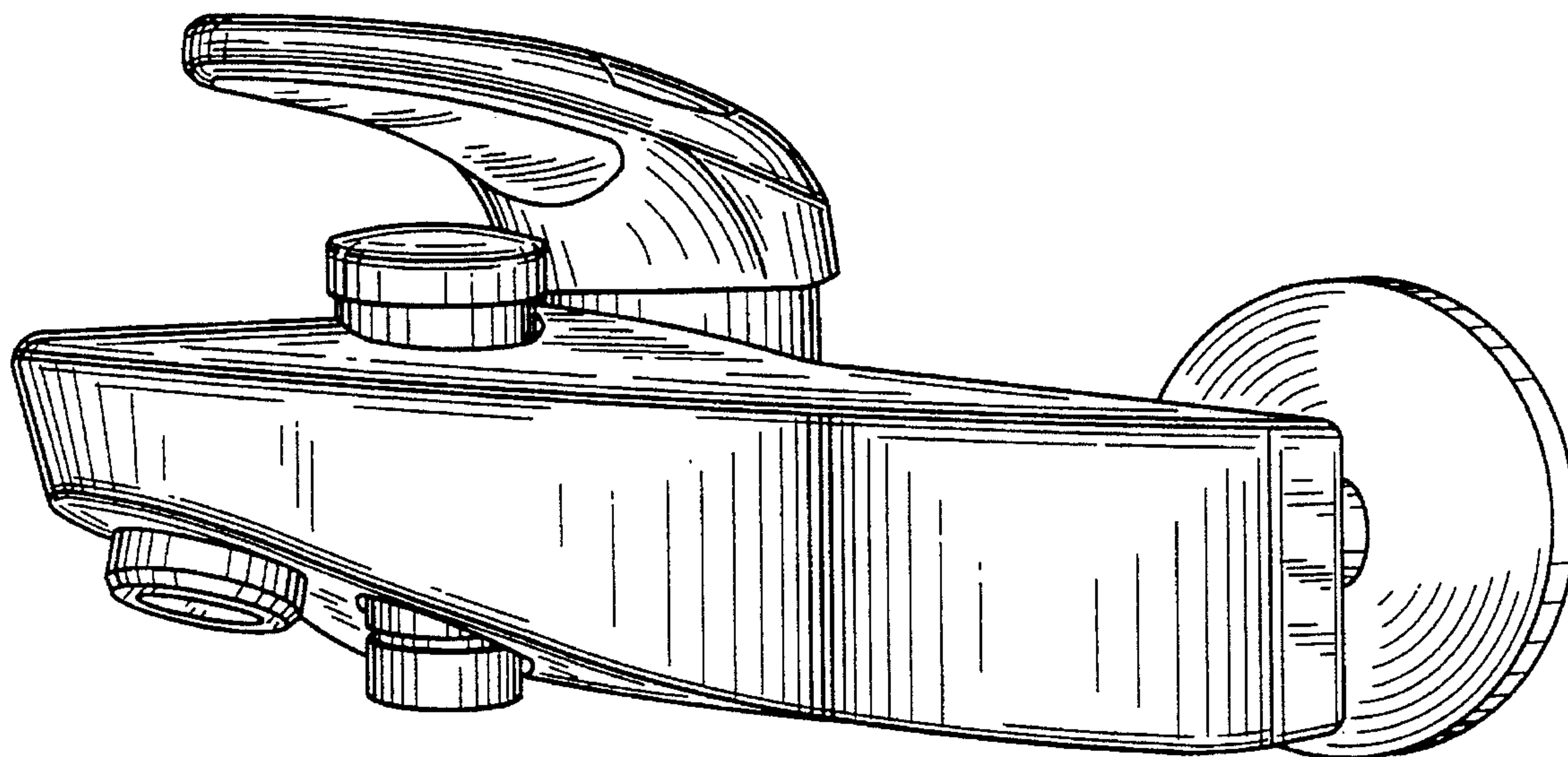


FIG. 1

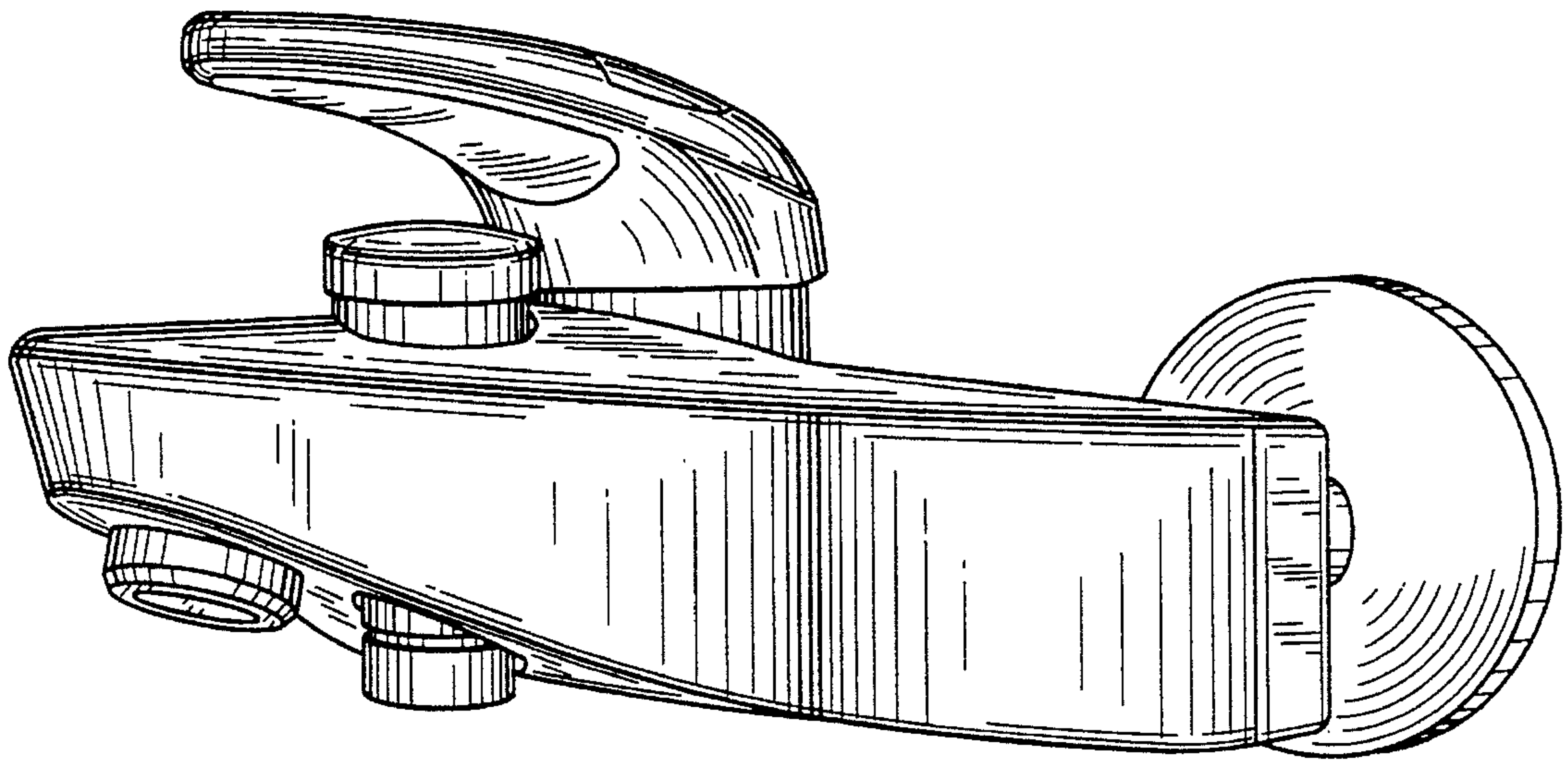


FIG. 2

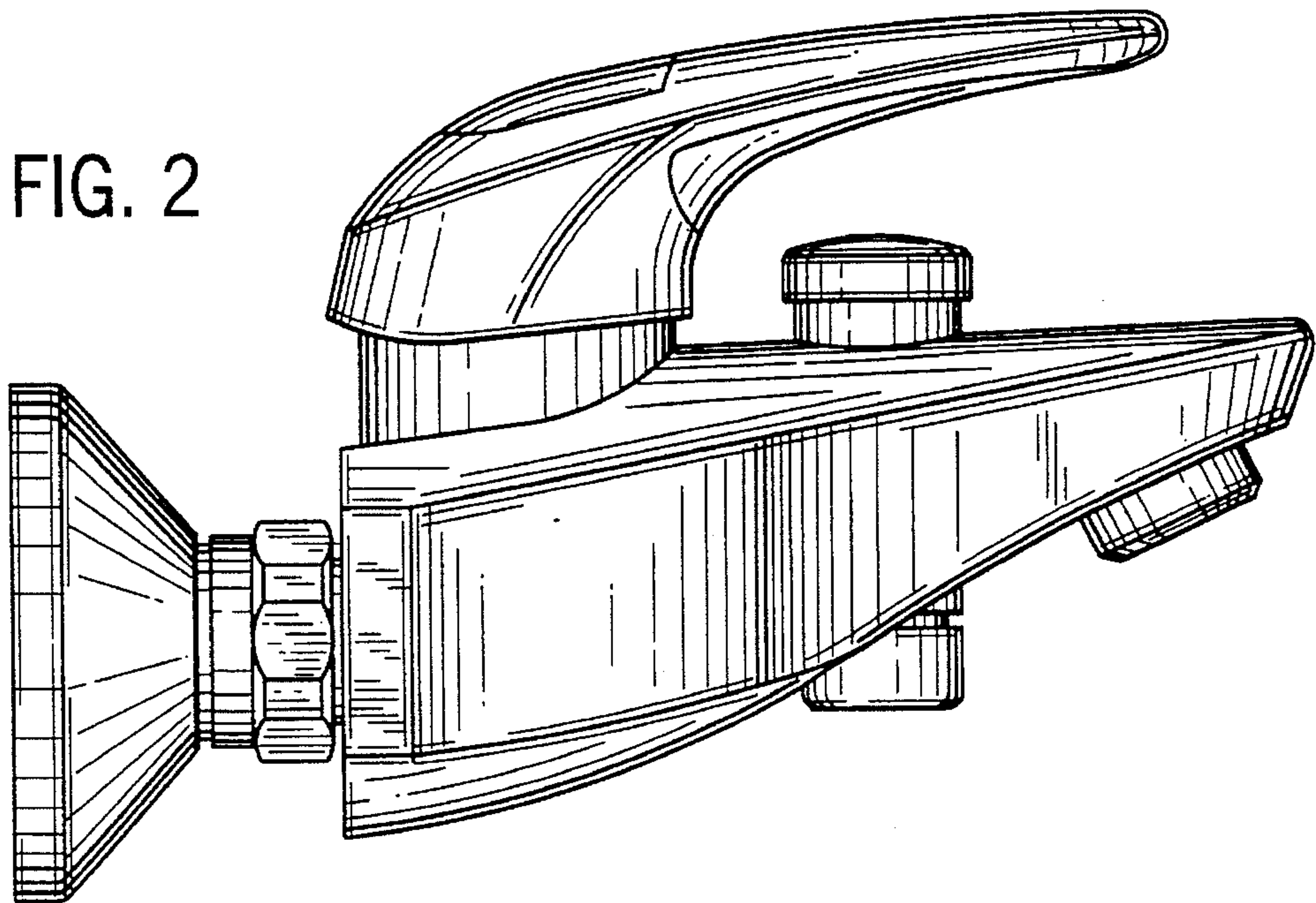


FIG. 3

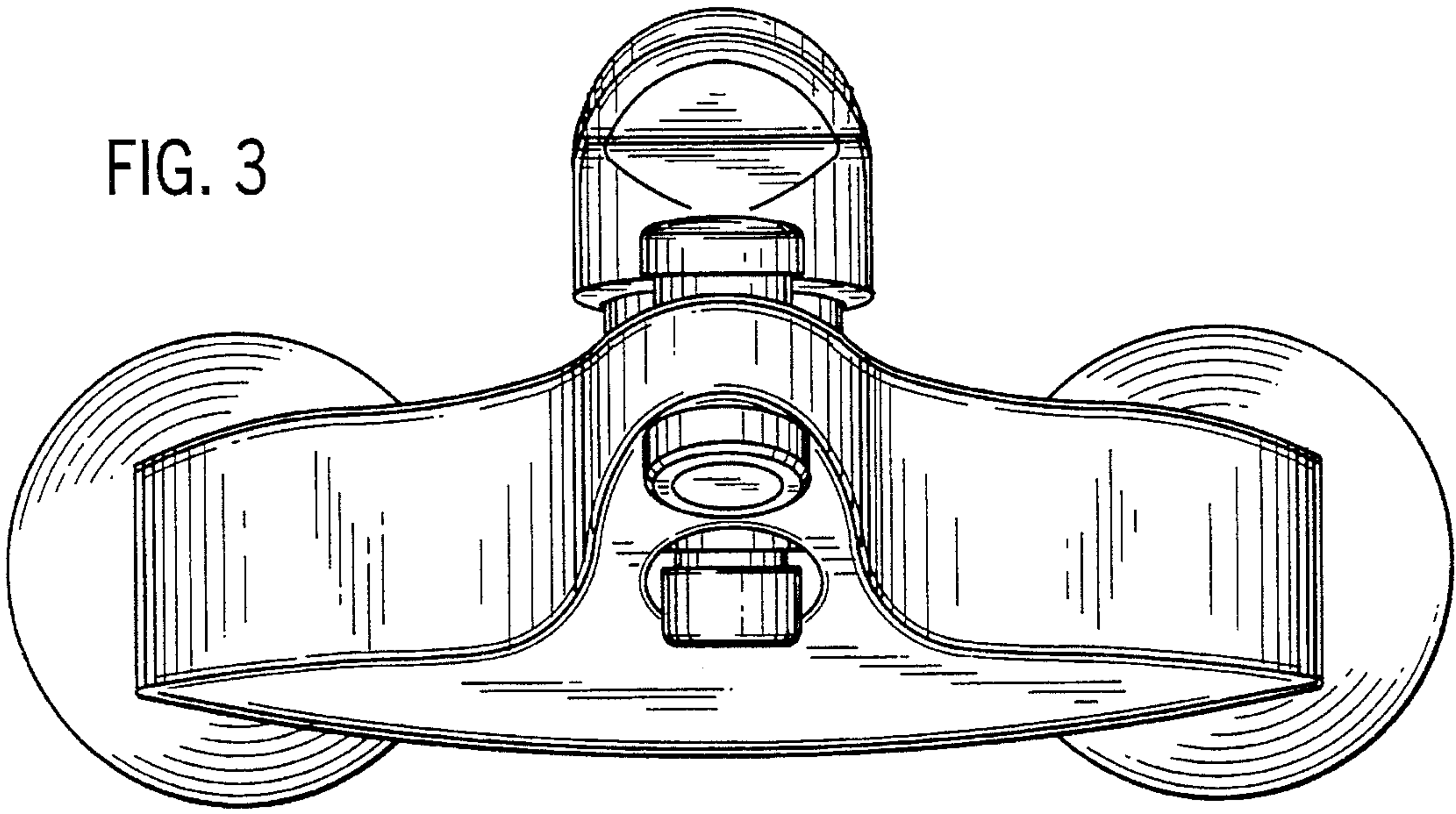


FIG. 4

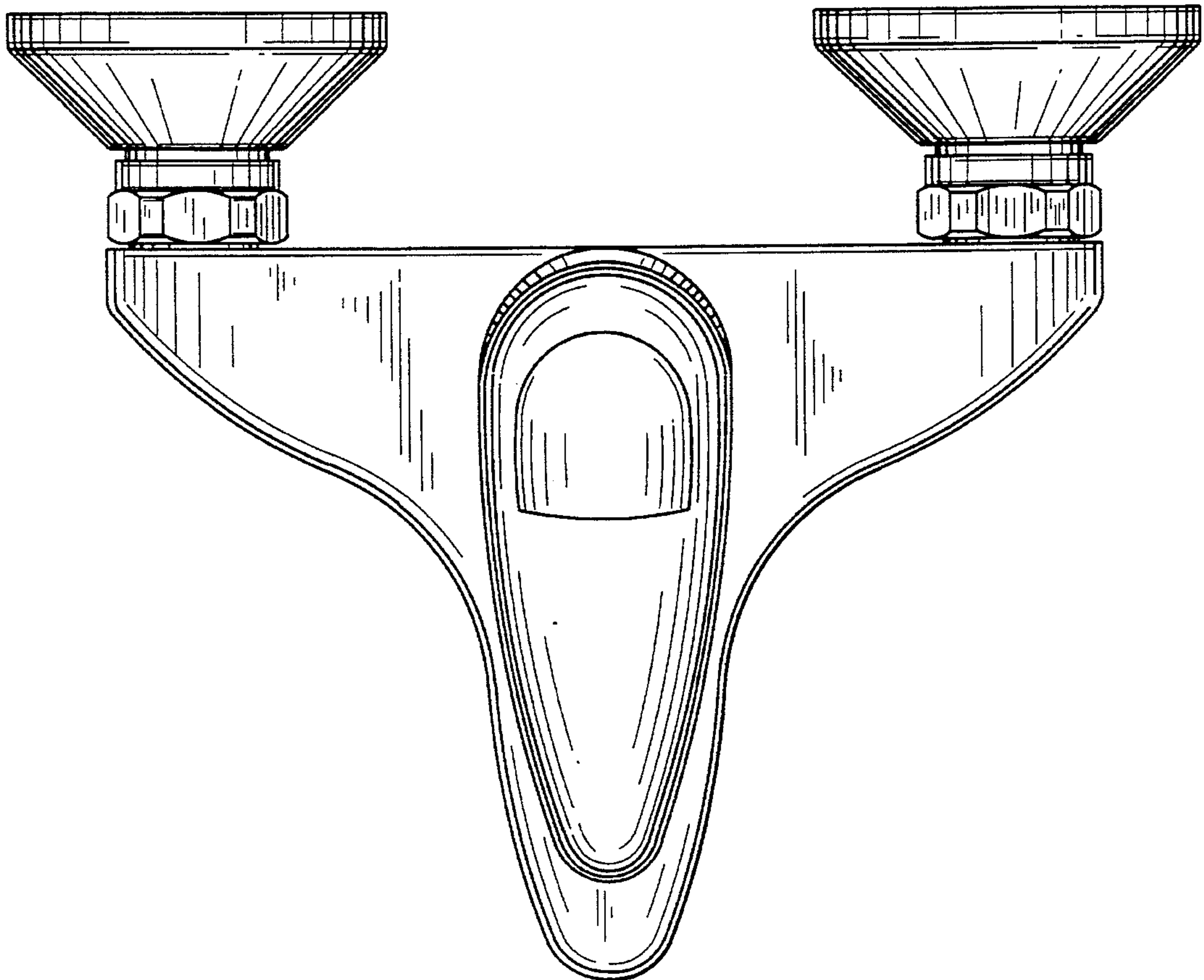


FIG. 5

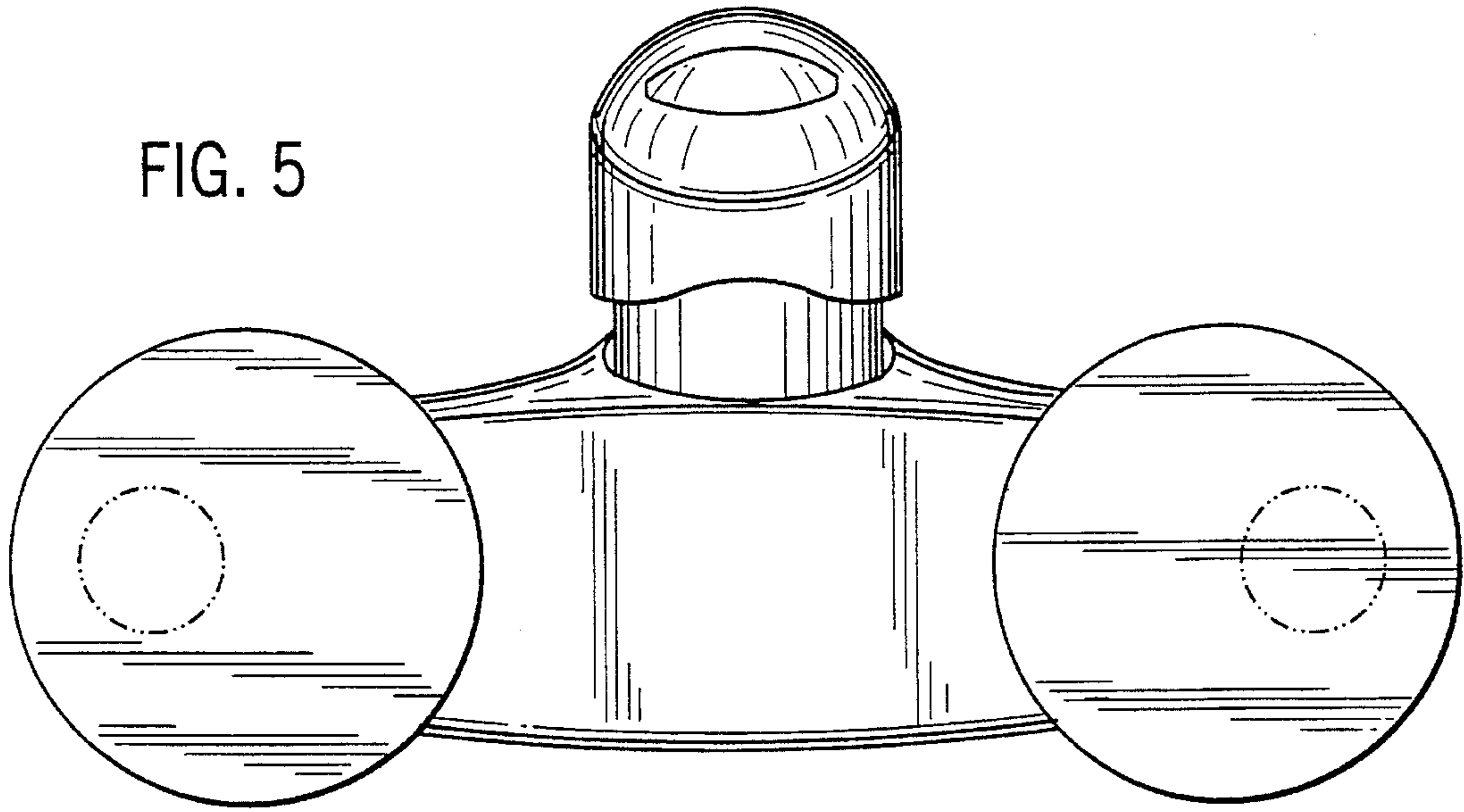


FIG. 6

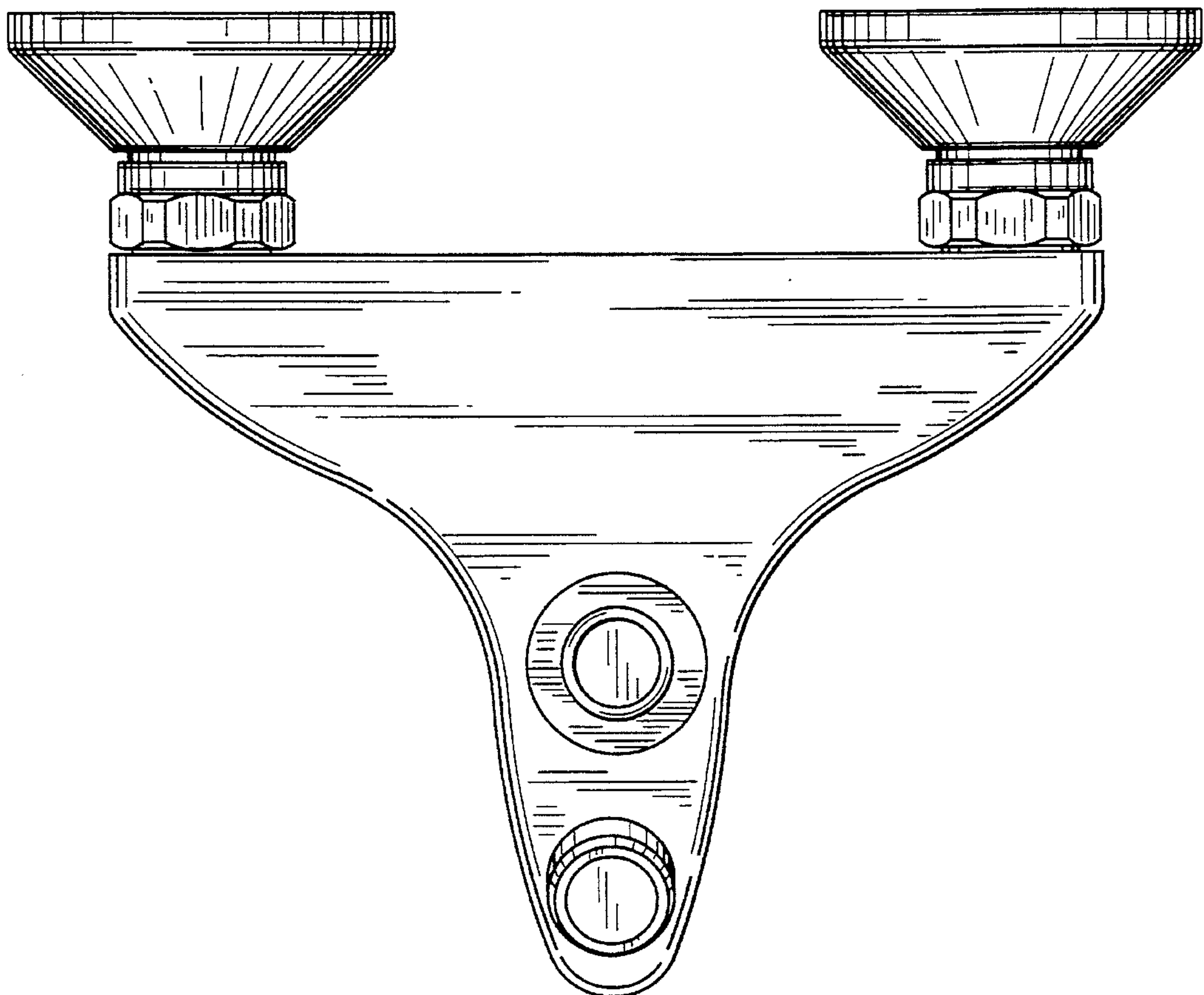


FIG. 7

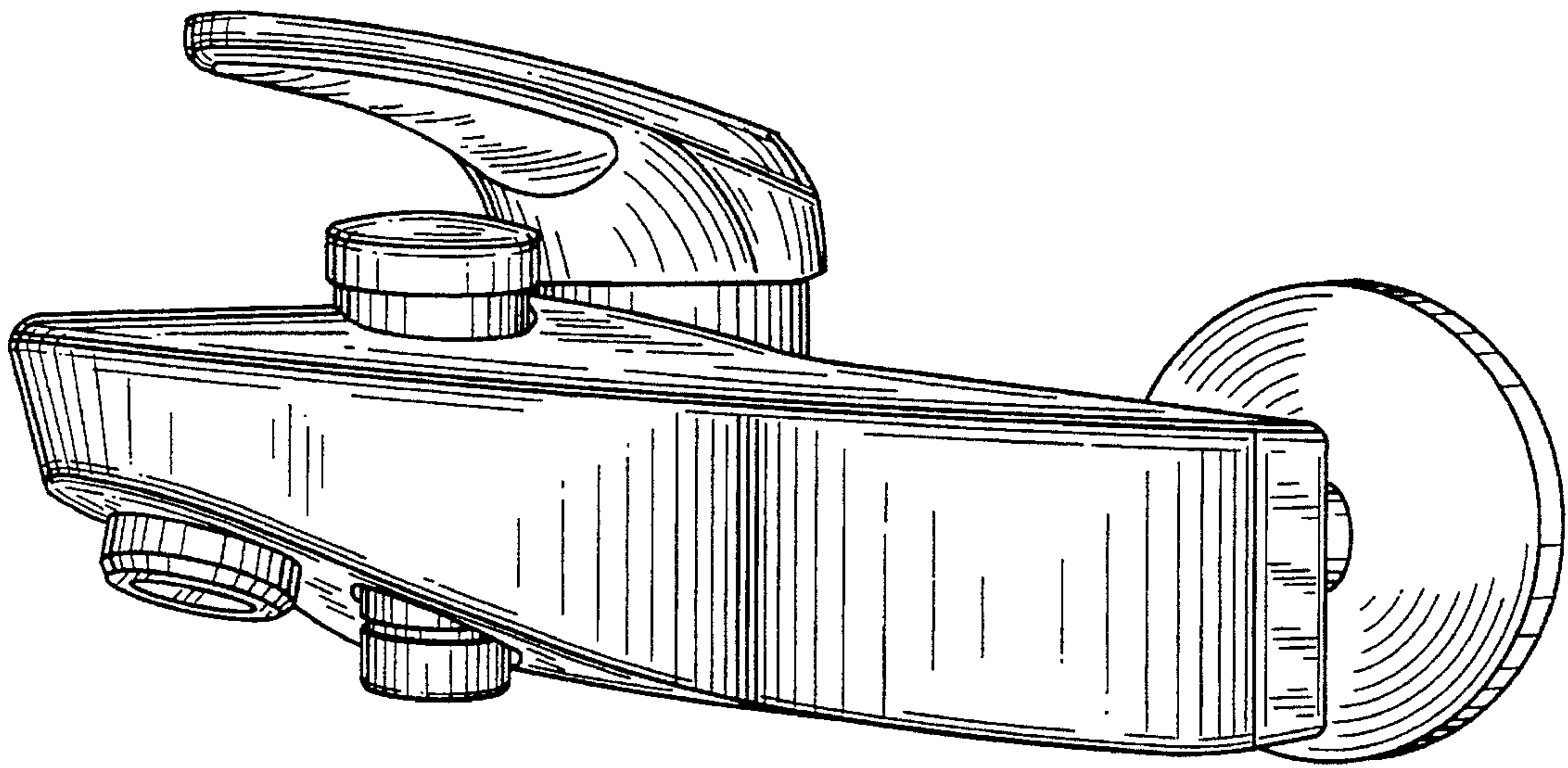


FIG. 8

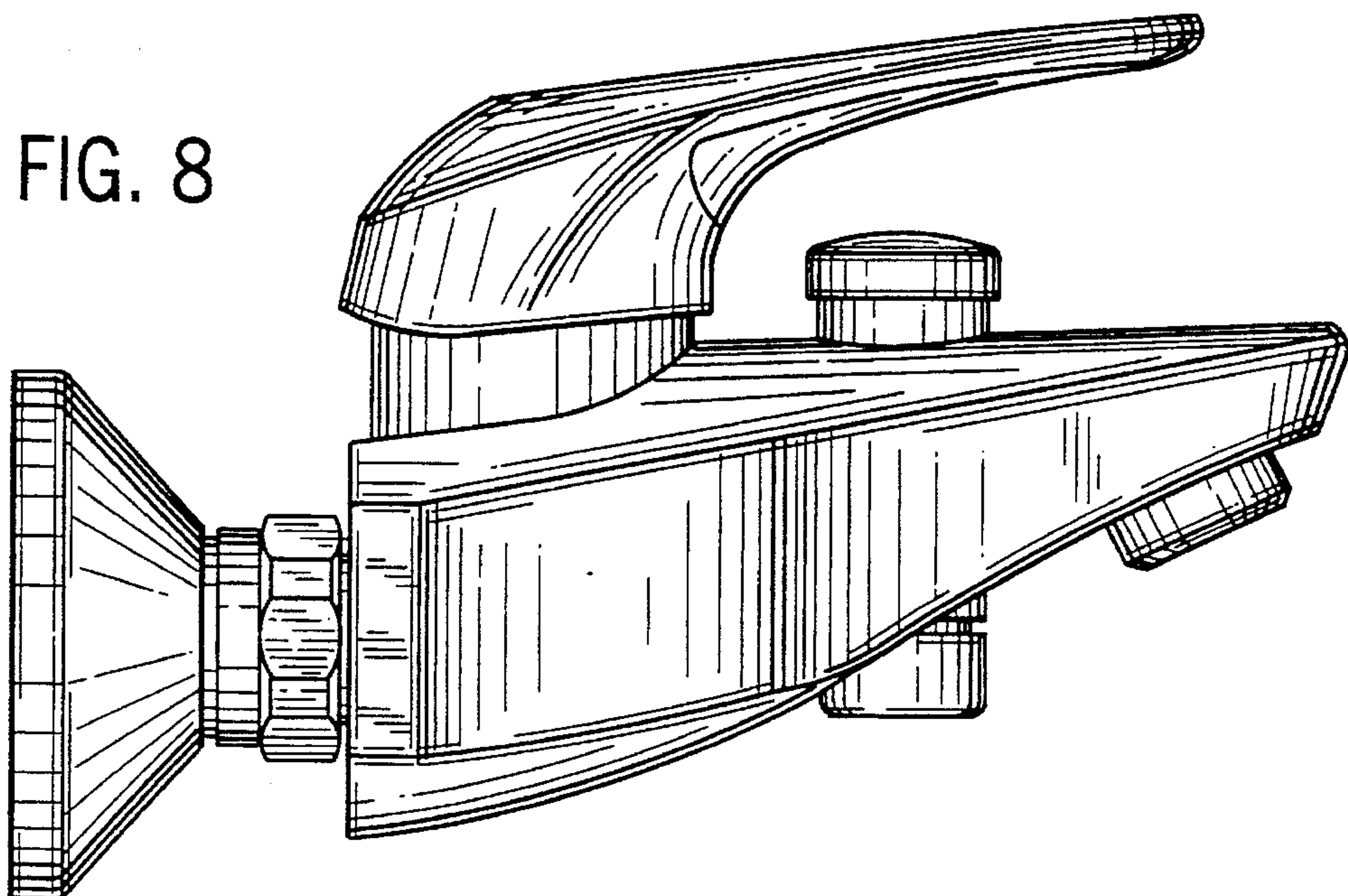


FIG. 9

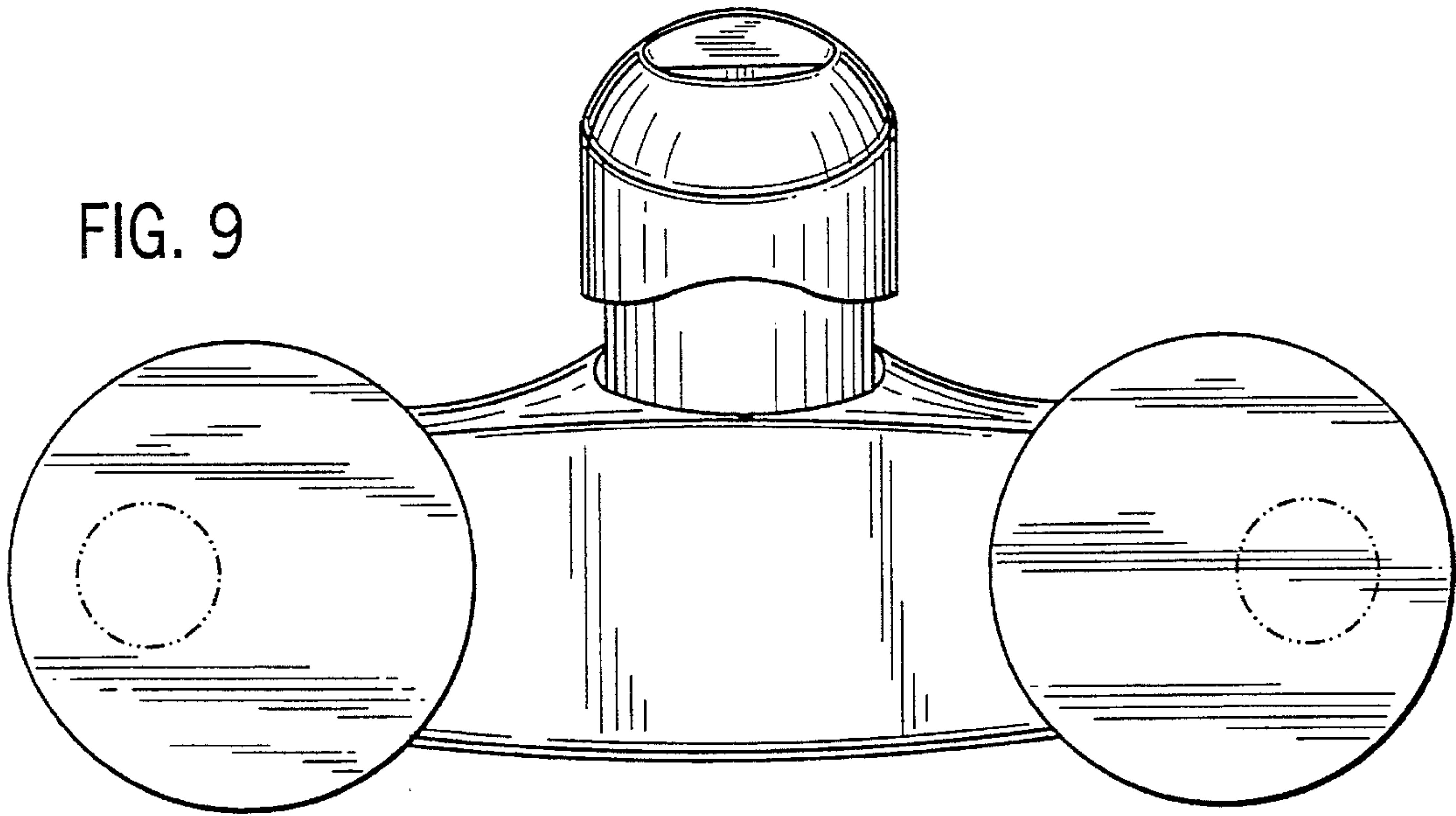


FIG. 10

