



US00D378771S

United States Patent [19]

Antonious

[11] Patent Number: **Des. 378,771**

[45] Date of Patent: ****Apr. 8, 1997**

[54] **GOLF CLUB SHAFT**

Attorney, Agent, or Firm—Aquilino & Welsh

[76] Inventor: **Anthony J. Antonious**, 7738 Calle Facil, Sarasota, Fla. 34238

[57] **CLAIM**

The ornamental design for a golf club shaft, as shown and described.

[**] Term: **14 Years**

DESCRIPTION

[21] Appl. No.: **37,340**

FIG. 1 is a perspective view of a golf club shaft showing my new design;

[22] Filed: **Apr. 11, 1995**

FIG. 2 is an end view thereof, the undisclosed opposite end being identical;

[52] U.S. Cl. **D21/221; D21/220**

FIG. 3 is an enlarged fragmented portion thereof;

[58] Field of Search **D21/221, 220; 273/81 B, 81.2, 80 D, 167-175**

FIG. 4 is a front elevational view of FIG. 1;

[56] **References Cited**

U.S. PATENT DOCUMENTS

D. 236,639	9/1975	Kanne	D21/221
D. 236,735	9/1975	Bush	D21/221
D. 327,309	6/1992	Shigetoh	D21/221
D. 343,666	1/1994	Schmitt	D21/216
D. 359,541	6/1995	Lamanna	D21/221

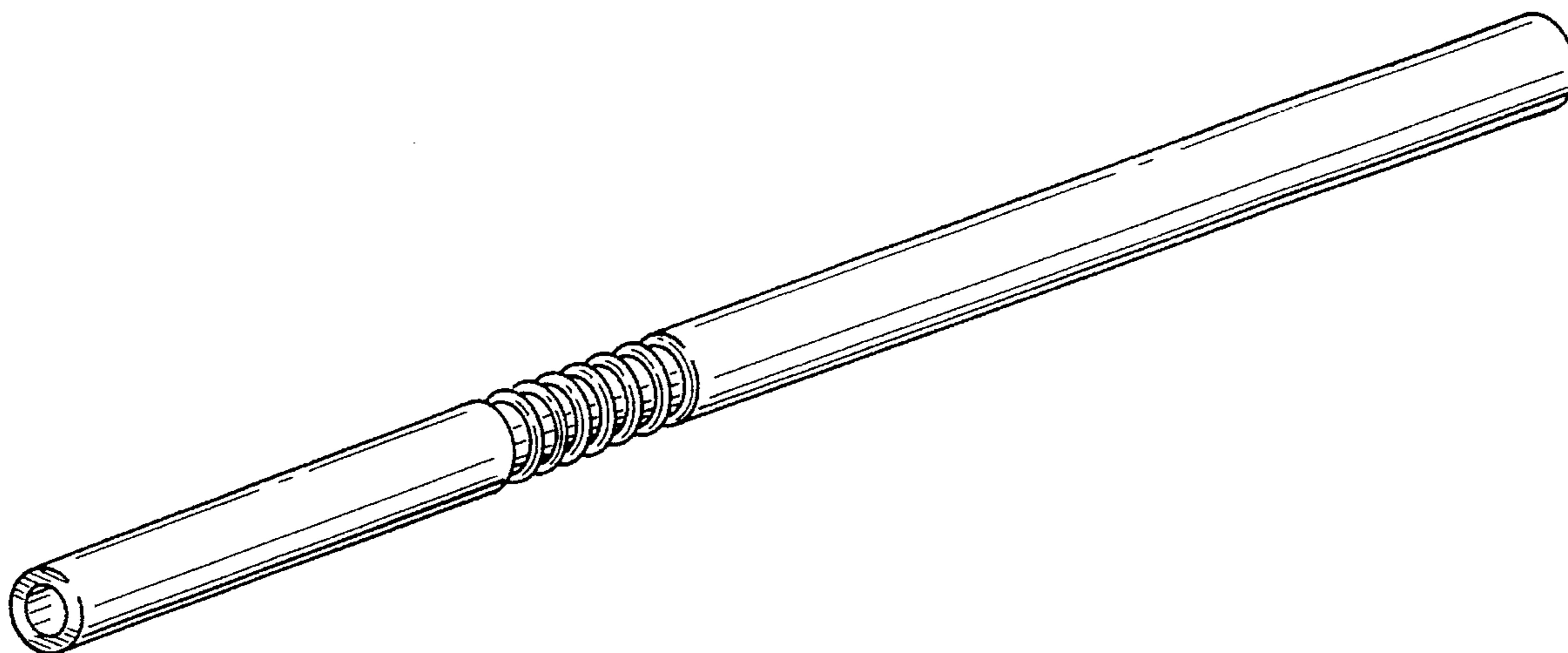
FIG. 5 is a front elevational view of a second embodiment of the golf club shaft as disclosed in FIG. 1; and,

FIG. 6 is a front elevational view of a third embodiment of the golf club shaft as disclosed in FIG. 1.

The broken line showing of a golf club head and handle is for illustrative purposes only and forms no part of the claimed design.

Primary Examiner—Ted Shooman
Assistant Examiner—Mitchell I. Siegel

1 Claim, 2 Drawing Sheets



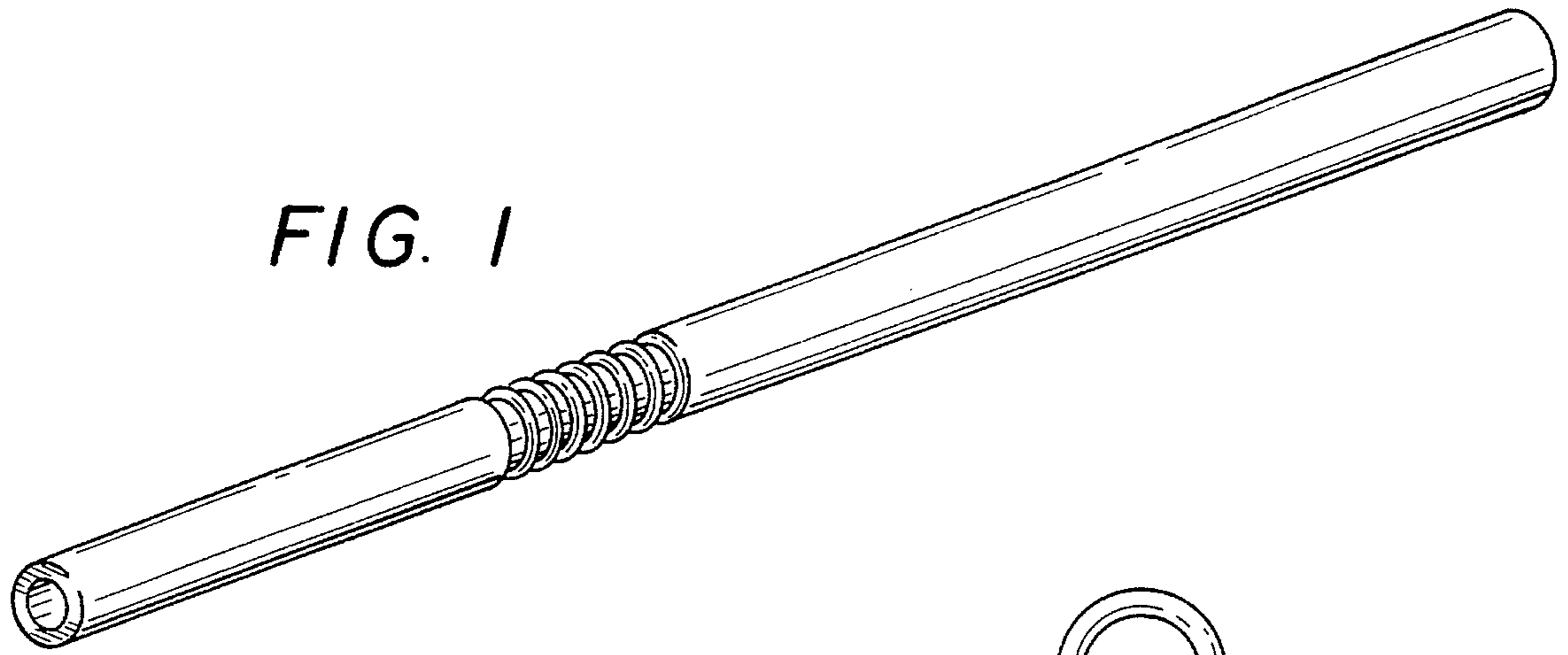


FIG. 1

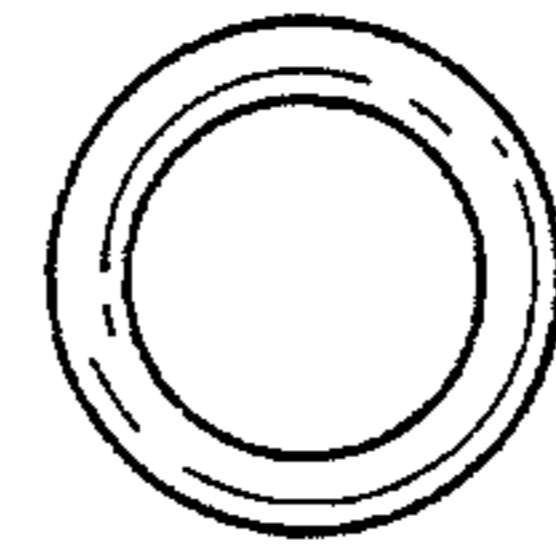


FIG. 2

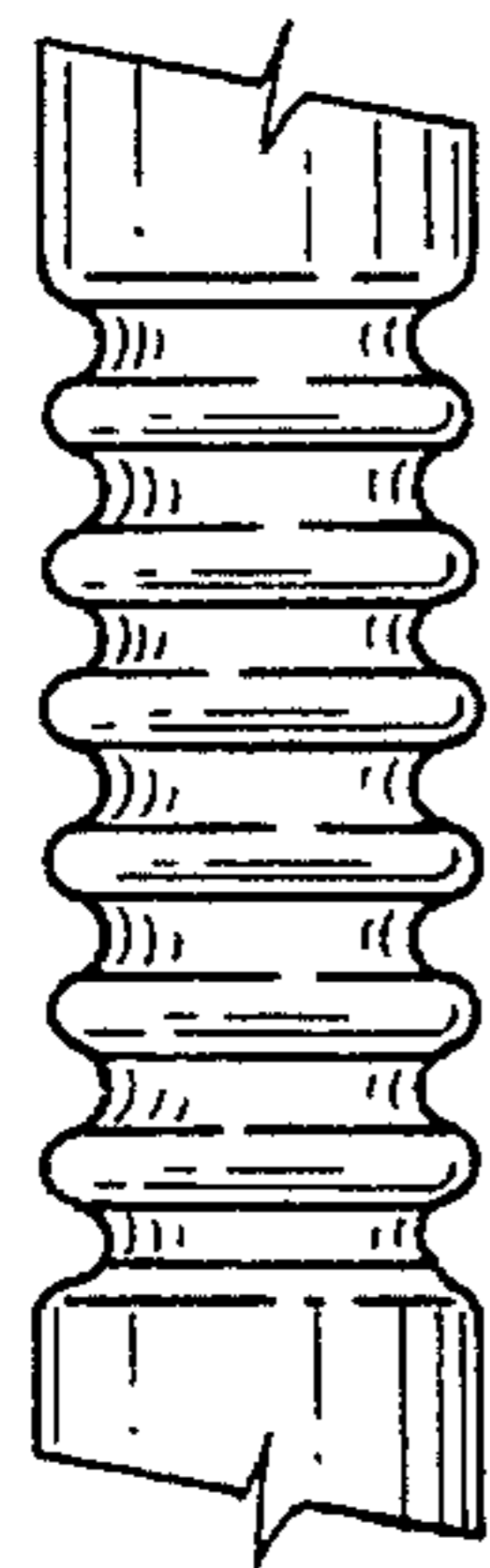


FIG. 3

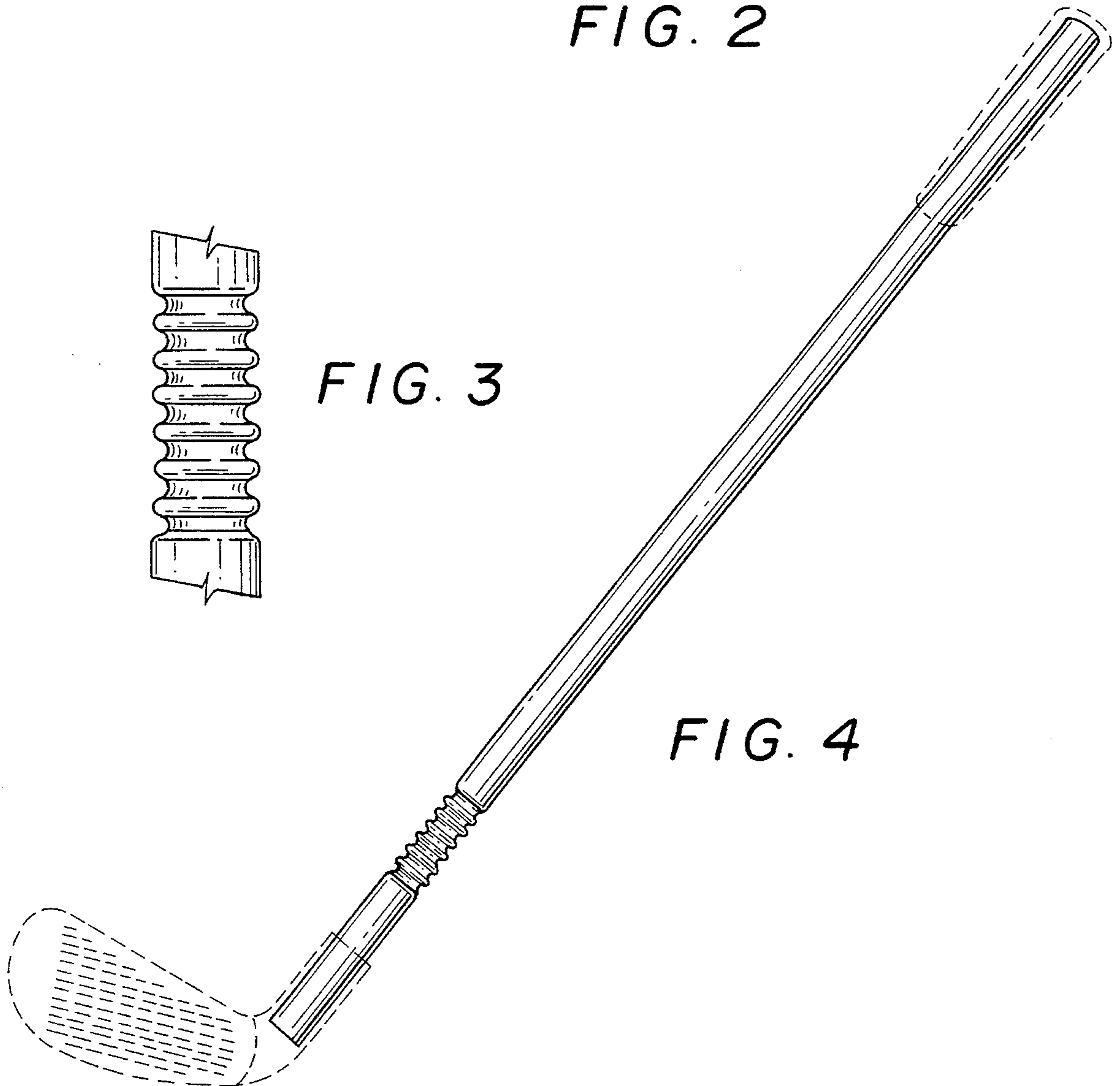


FIG. 4

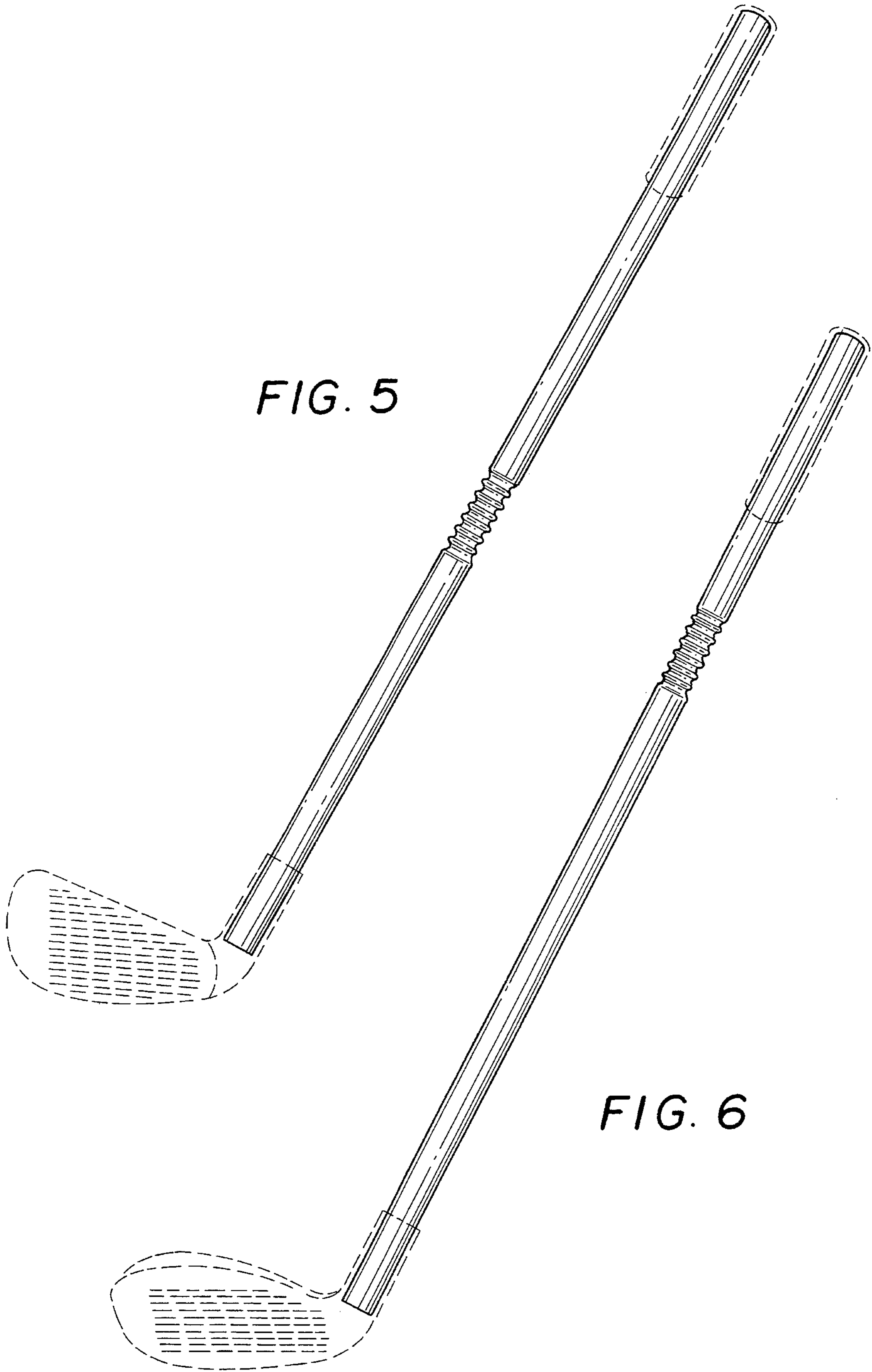


FIG. 5

FIG. 6