



US00D378768S

United States Patent [19]

Couch et al.

[11] Patent Number: **Des. 378,768**

[45] Date of Patent: ****Apr. 8, 1997**

[54] **CONTROL PAD WITH CONTROL STICK**

[75] Inventors: **Johnny D. Couch**, San Jose; **Sarah M. Richmond**, Foster City; **Ira L. Velinsky**, Saratoga, all of Calif.; **Stephen K. Guerrero**, Milford, Mass.; **Gregory H. Hunter**, Westwood, Mass.; **John D. Gundlach**, Rowley, Mass.

[73] Assignee: **Sega Enterprises, Ltd.**, Japan

[**] Term: **14 Years**

[21] Appl. No.: **36,205**

[22] Filed: **Mar. 15, 1995**

[52] U.S. Cl. **D21/48**

[58] Field of Search D21/1, 13, 48;
273/148 B, 433-438, DIG. 28; D14/125,
126, 218

[56] **References Cited**

U.S. PATENT DOCUMENTS

D. 317,153	5/1991	MacKenzie	D21/48 X
D. 345,994	4/1994	Shian	D21/48
D. 351,625	10/1994	Carter et al.	D21/48
D. 352,331	11/1994	Wu	D21/48
4,509,383	4/1985	Yeh	273/438 X

4,688,443	8/1987	Fabre et al.	273/DIG. 28 X
5,114,157	5/1992	Kita	273/148 B X
5,375,831	12/1994	Hsien-Chung	273/148 B

OTHER PUBLICATIONS

Merchandising, Mar.-1983, p. 53.
Vending Times, Jul.-1982, p. 40.
Hong Kong Electronics, 1985, p. 175

Primary Examiner—Prabhakar G. Deshmukh
Attorney, Agent, or Firm—Skjerven, Morrill, MacPherson,
Franklin & Friel; David W. Heid

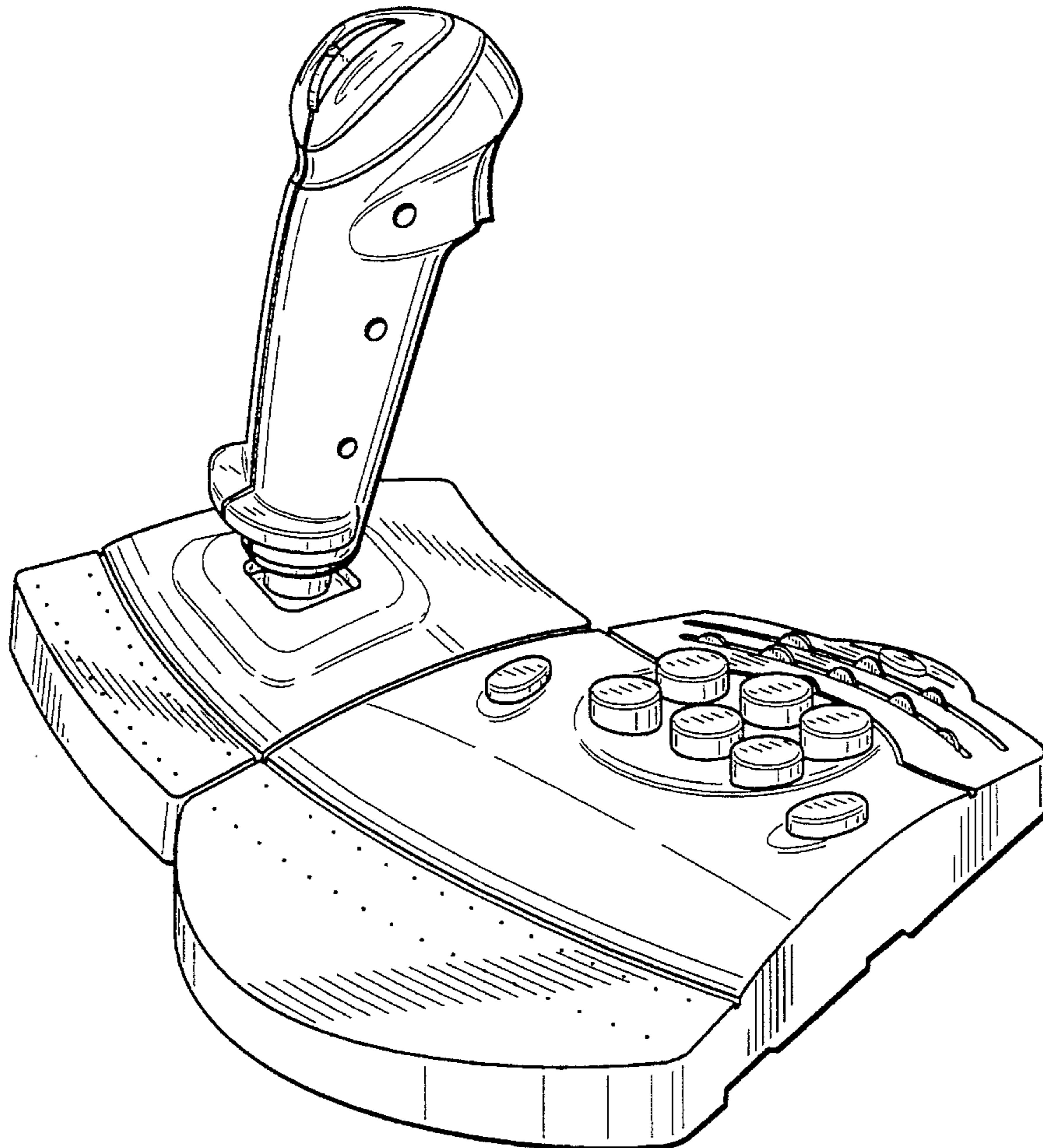
[57] **CLAIM**

The ornamental design for a control pad with control stick, as shown and described.

DESCRIPTION

FIG. 1 is a perspective front elevation view of a control pad with control stick;
FIG. 2 is a top plan view thereof;
FIG. 3 is a bottom plan view thereof;
FIG. 4 is a front elevational view thereof;
FIG. 5 is a rear elevation view thereof;
FIG. 6 is a right side elevational view thereof; and,
FIG. 7 is a left side elevational view thereof.

1 Claim, 7 Drawing Sheets



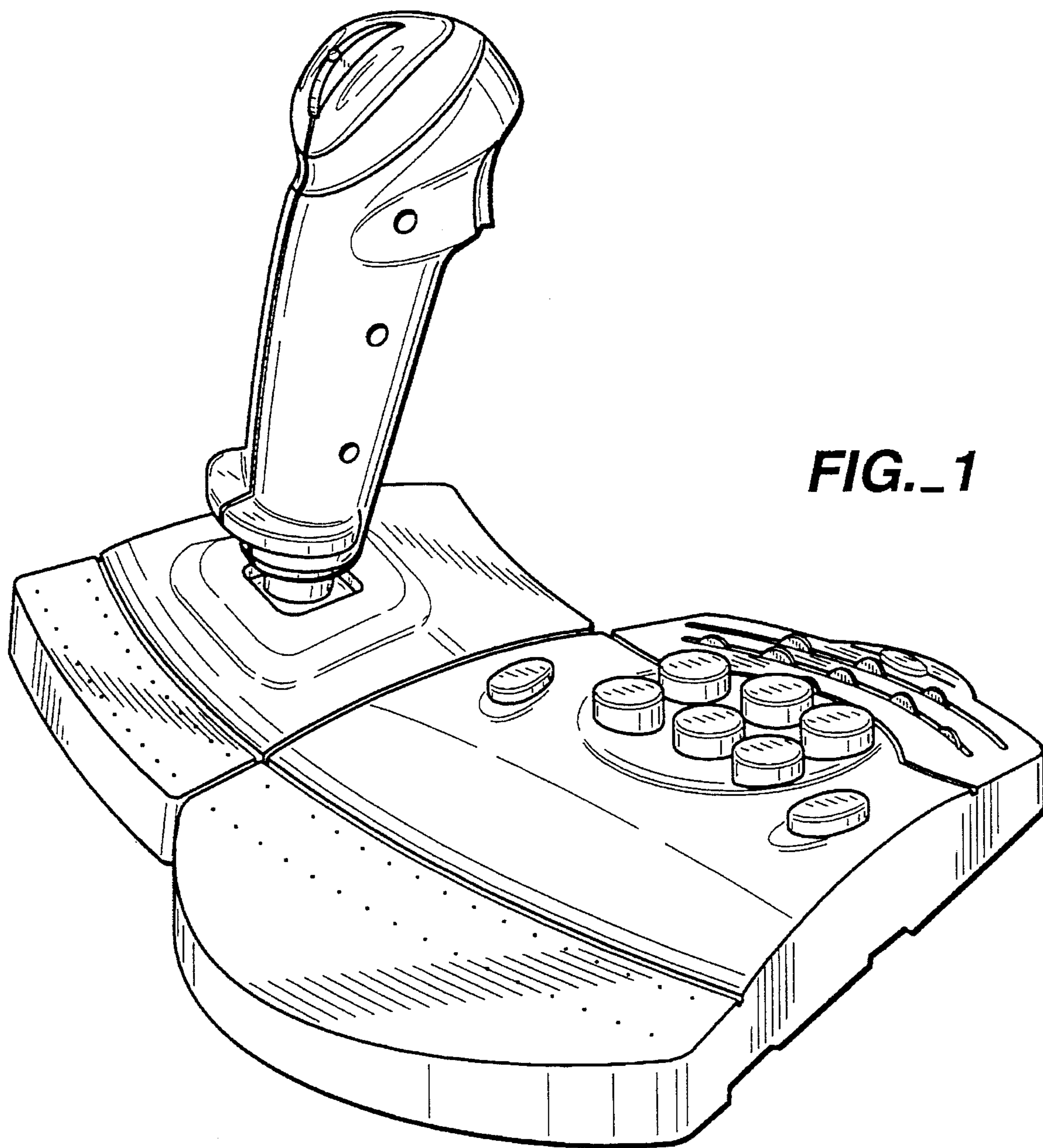


FIG. 1

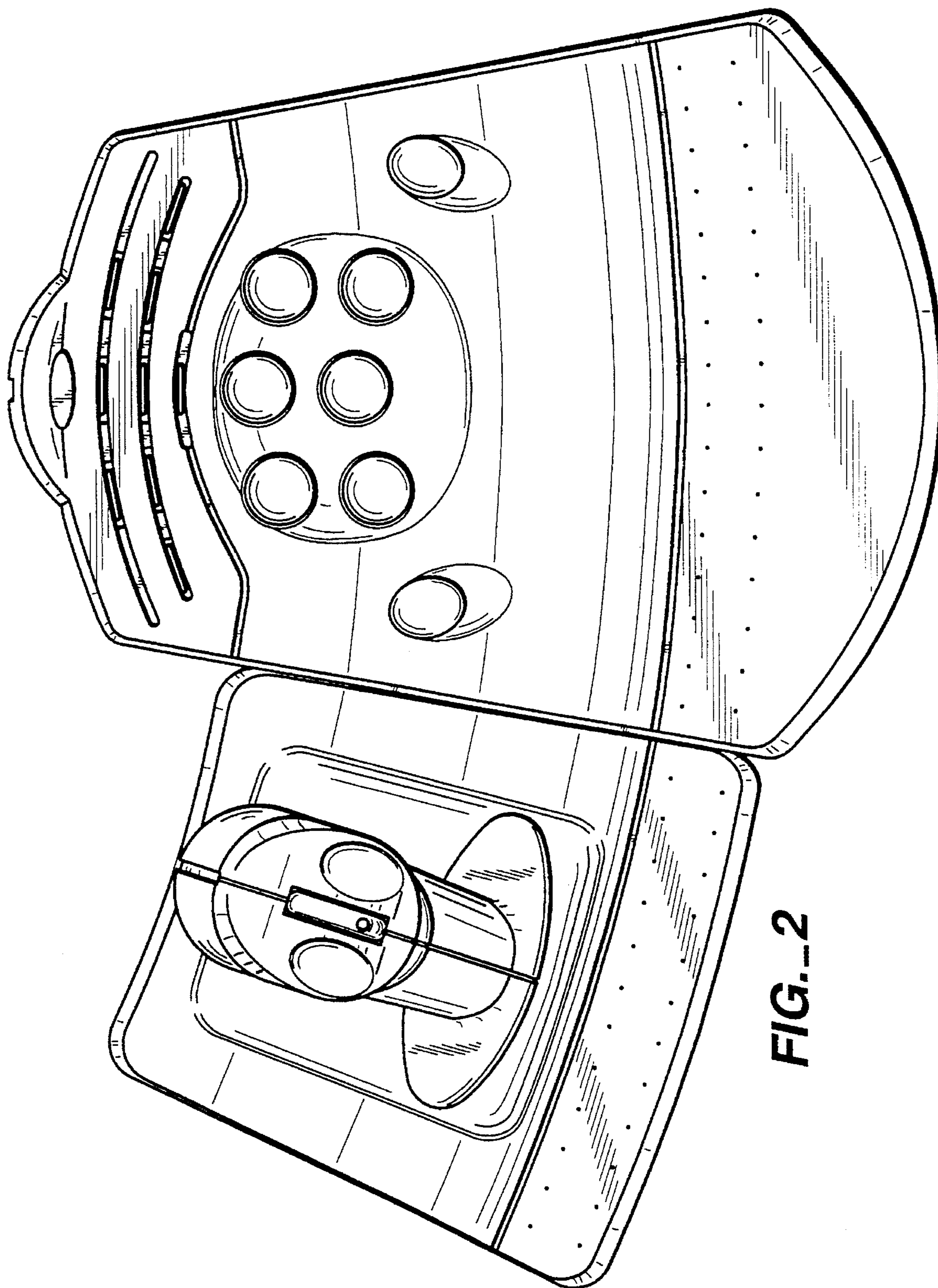


FIG. 2

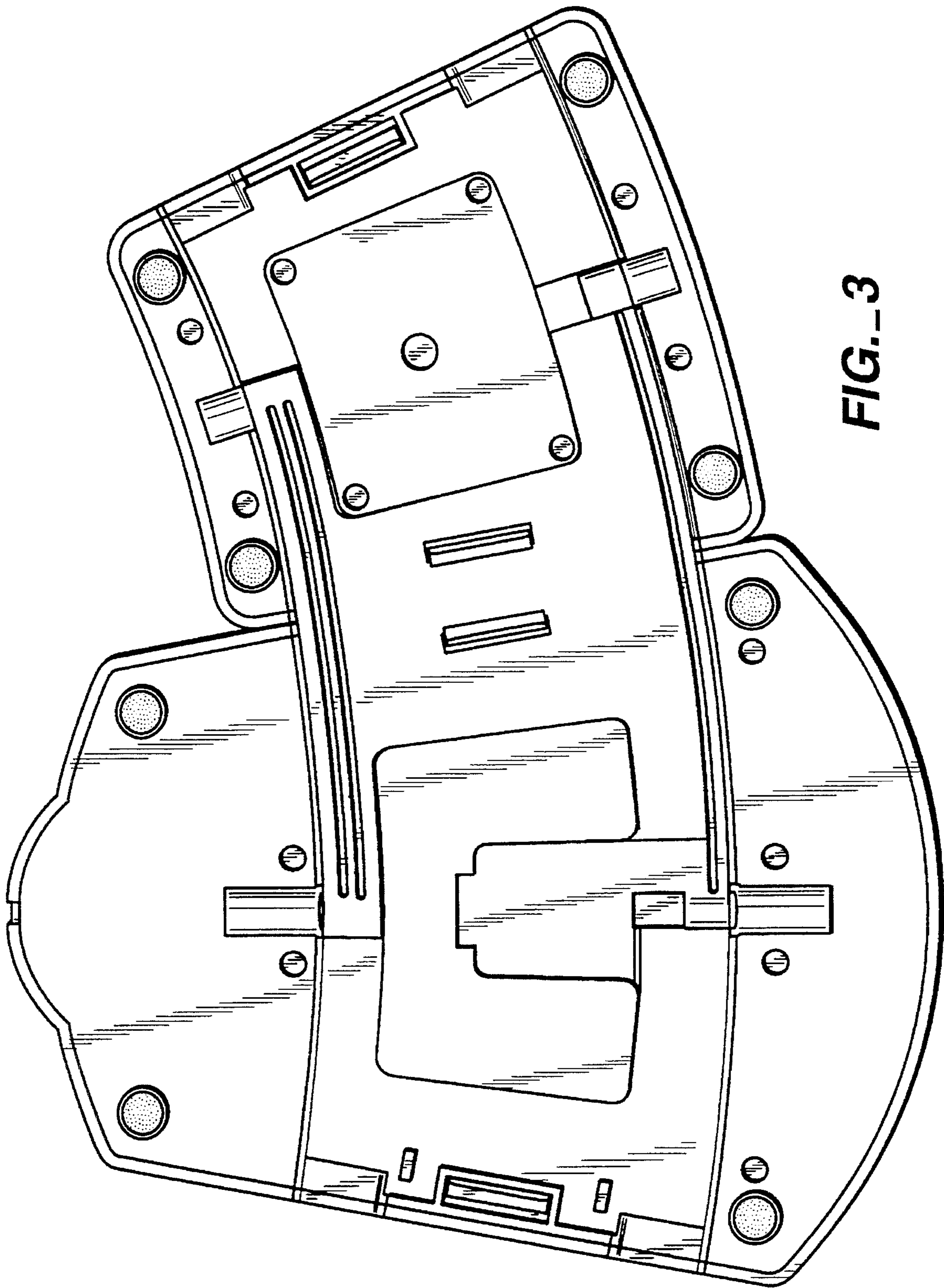
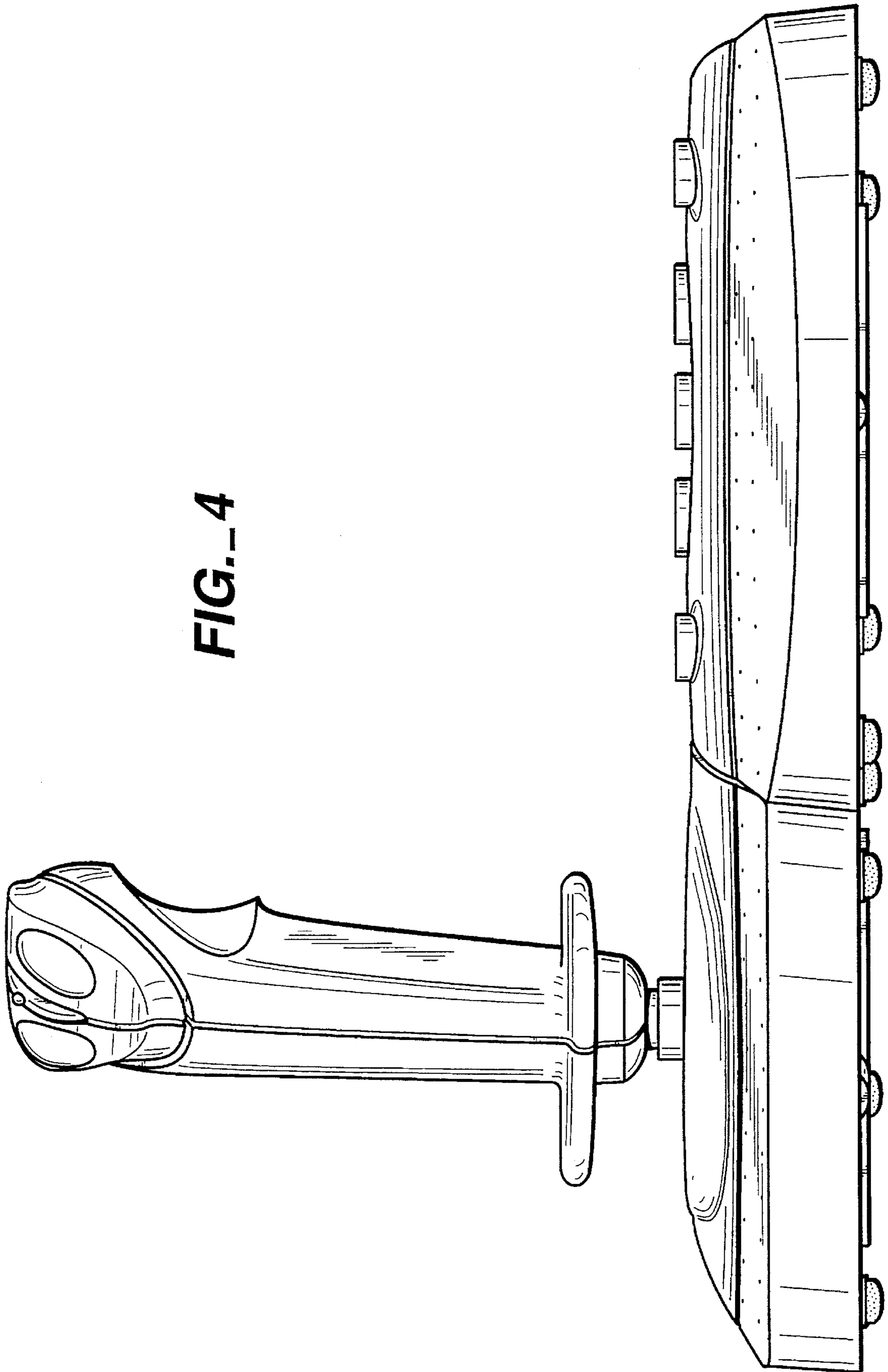


FIG. 3

FIG. 4



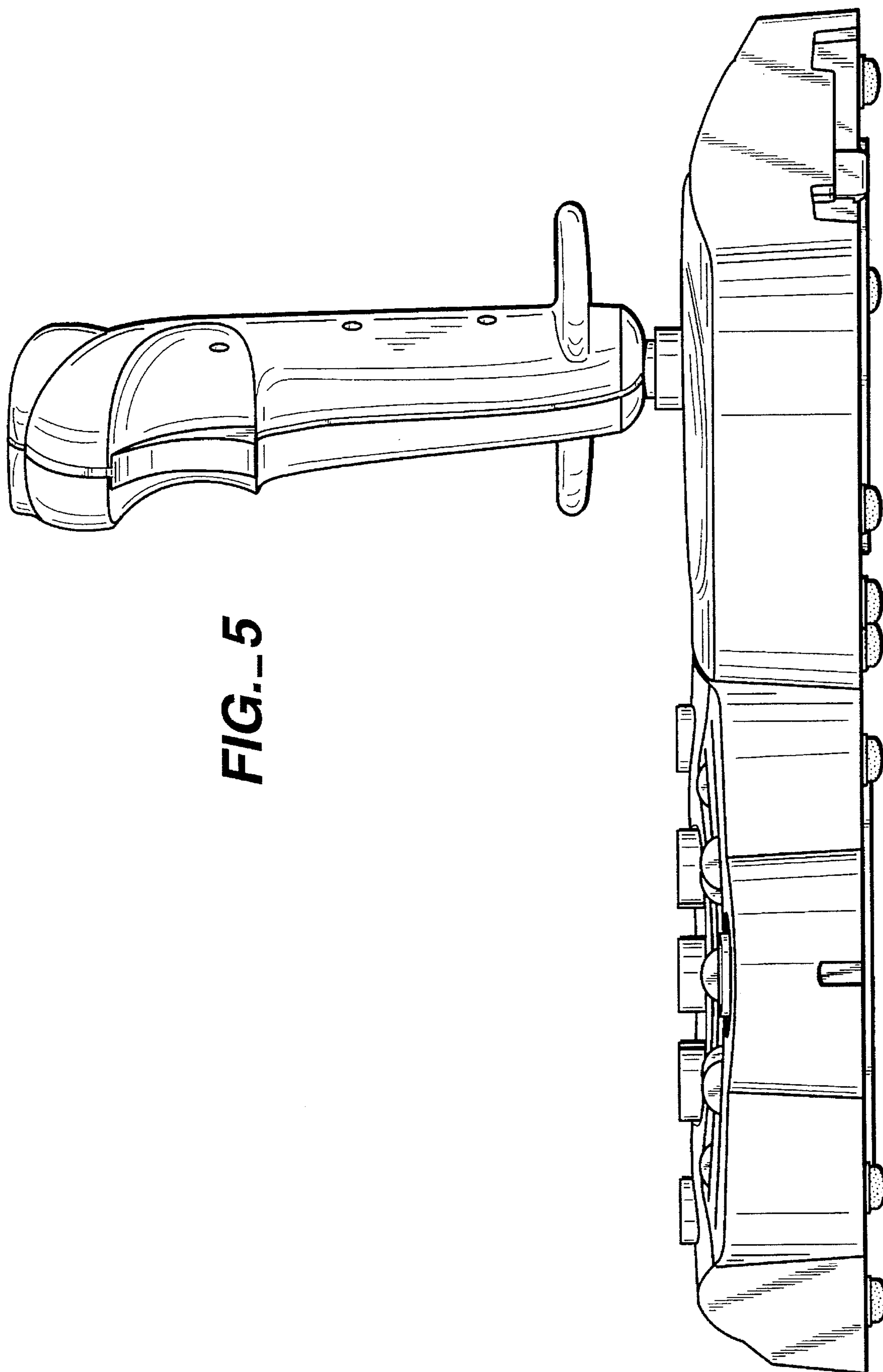


FIG. 5

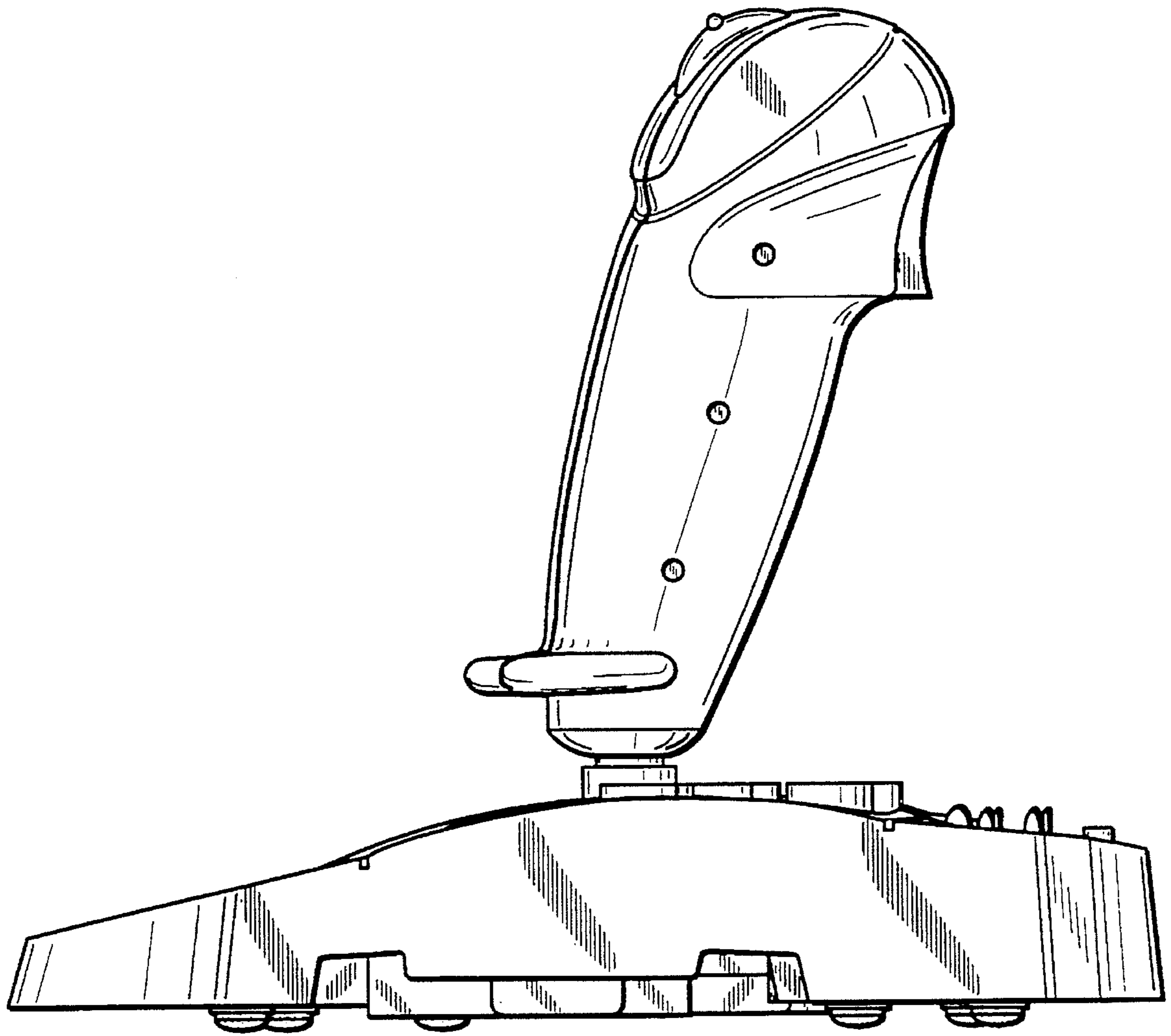


FIG._6

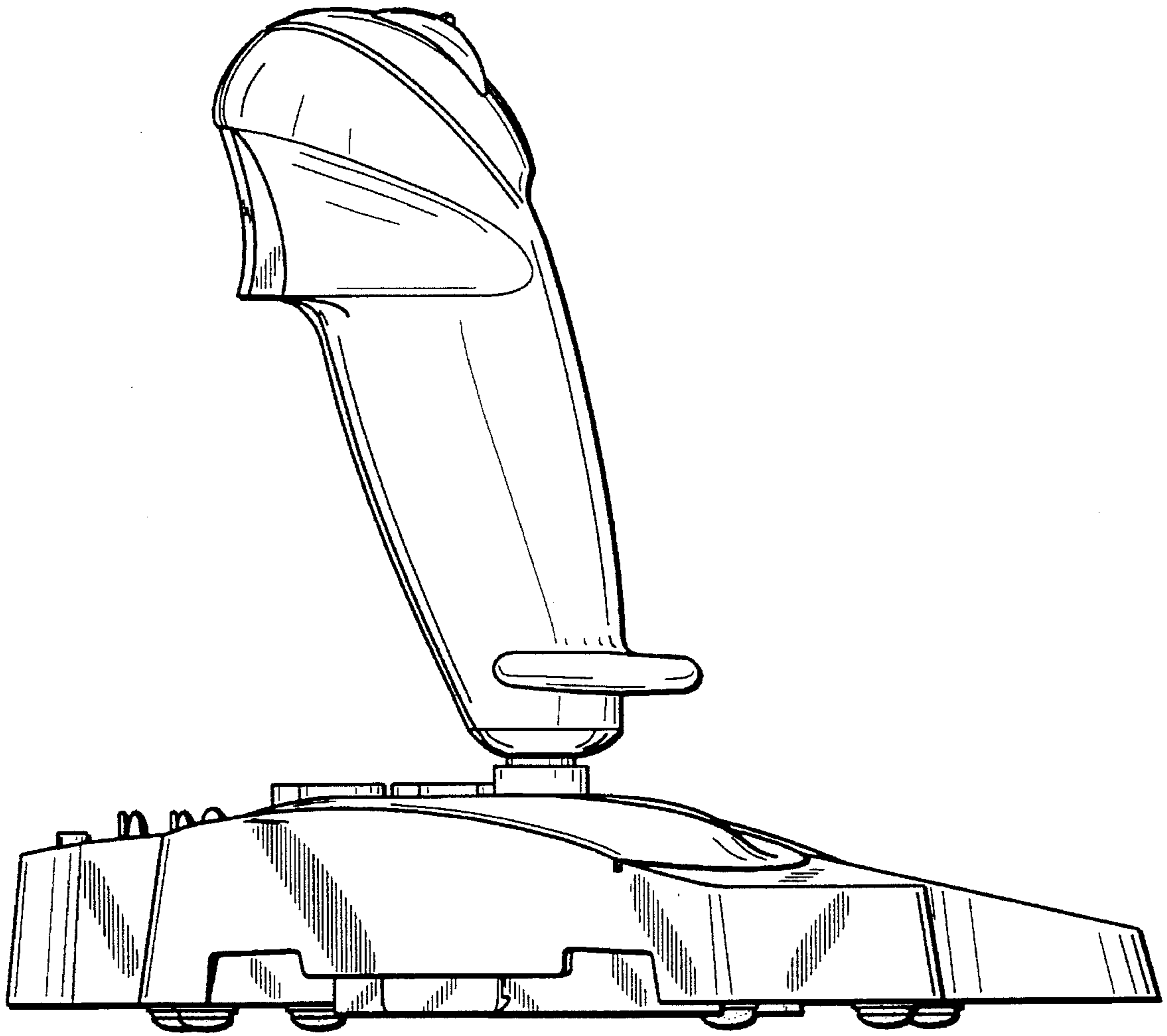


FIG. 7