



US00D378767S

# United States Patent [19]

[11] Patent Number: **Des. 378,767**

Chapman et al.

[45] Date of Patent: **\*\*Apr. 8, 1997**

[54] **COVER LABEL FOR CAMERA**

[75] Inventors: **Steven S. Chapman**, Corfu; **Daniel C. Jackson**; **John K. McBride**, both of Rochester; **James G. Rydelek**, Henrietta; **Joseph E. Yokajty**, Rochester, all of N.Y.

[73] Assignee: **Eastman Kodak Company**, Rochester, N.Y.

[\*\*] Term: **14 Years**

[21] Appl. No.: **49,347**

[22] Filed: **Jan. 23, 1996**

**Related U.S. Application Data**

[62] Division of Ser. No. 27,933, Sep. 1, 1994.  
[52] U.S. Cl. .... **D20/22**; D16/219  
[58] Field of Search ..... D16/200, 201, D16/208, 219, 237, 250, 209, 203, 218; 354/149.11, 202, 288, 75, 76; 40/299; D20/22-27,  
11

[56] **References Cited**

**U.S. PATENT DOCUMENTS**

D. 26,916 4/1897 Wittemann ..... D20/23

D. 225,280	11/1972	Conner .....	D16/219
D. 236,657	9/1975	Reeves .....	D20/22
D. 321,525	11/1991	Izumi et al. ....	D16/219
1,196,209	8/1916	Clark et al. ....	354/202
3,958,260	5/1976	Nagasaka .....	254/202
5,400,098	3/1995	Rydelek .....	354/288

*Primary Examiner*—Ted Shooman  
*Assistant Examiner*—Adir Aronovich  
*Attorney, Agent, or Firm*—Roger A. Fields

[57] **CLAIM**

The ornamental design for a cover label for camera, as shown and described.

**DESCRIPTION**

FIG. 1 is a front elevation view of a cover label for camera showing our new design;  
FIG. 2 is a top plan view thereof;  
FIG. 3 is a bottom plan view thereof;  
FIG. 4 is a left-side elevation view thereof;  
FIG. 5 is a right-side elevation view thereof; and,  
FIG. 6 is a perspective view thereof, the broken line showing of a camera is for illustrative purposes only and forms no part of the claimed design.

**1 Claim, 2 Drawing Sheets**

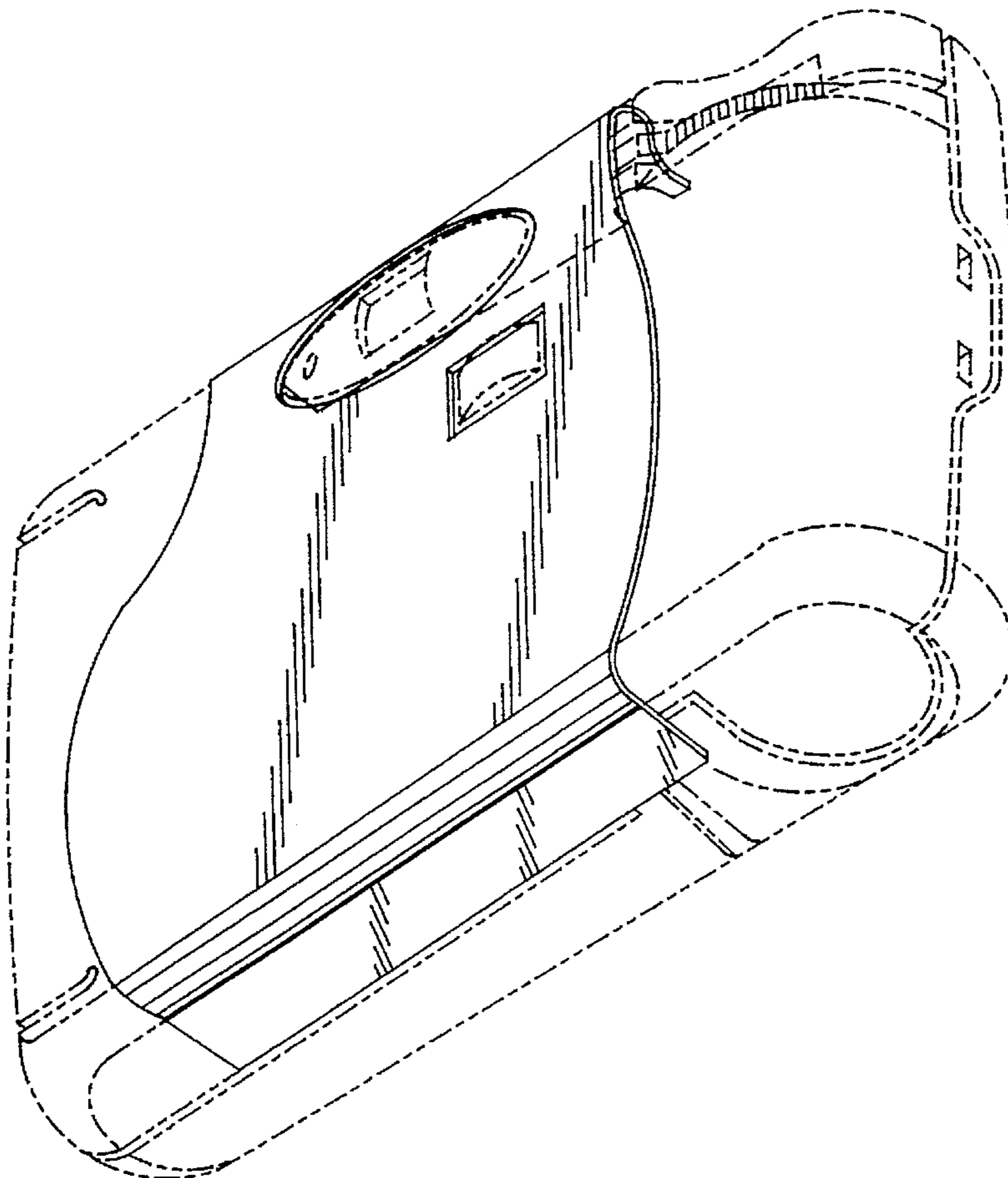


FIG. 2

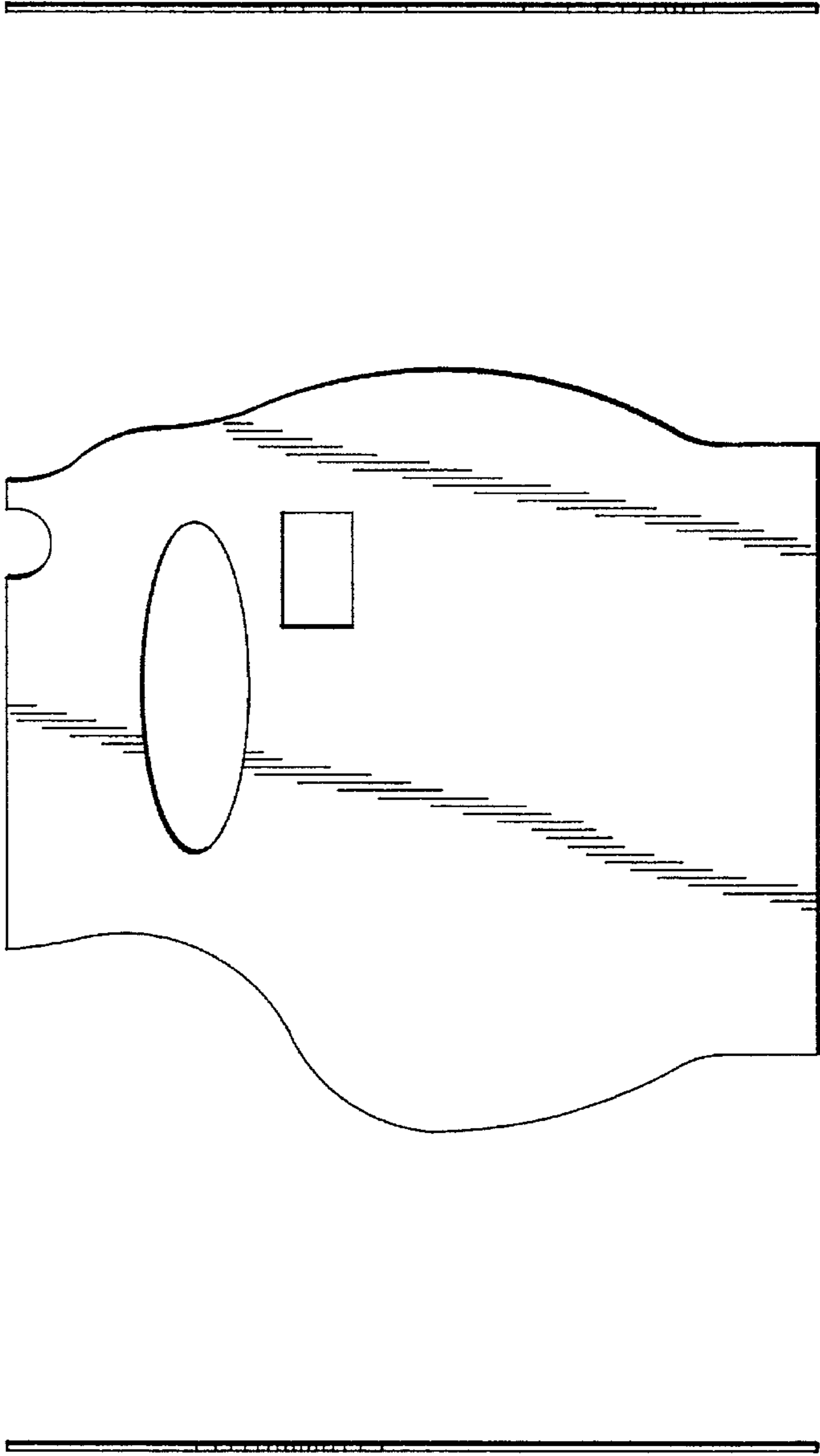
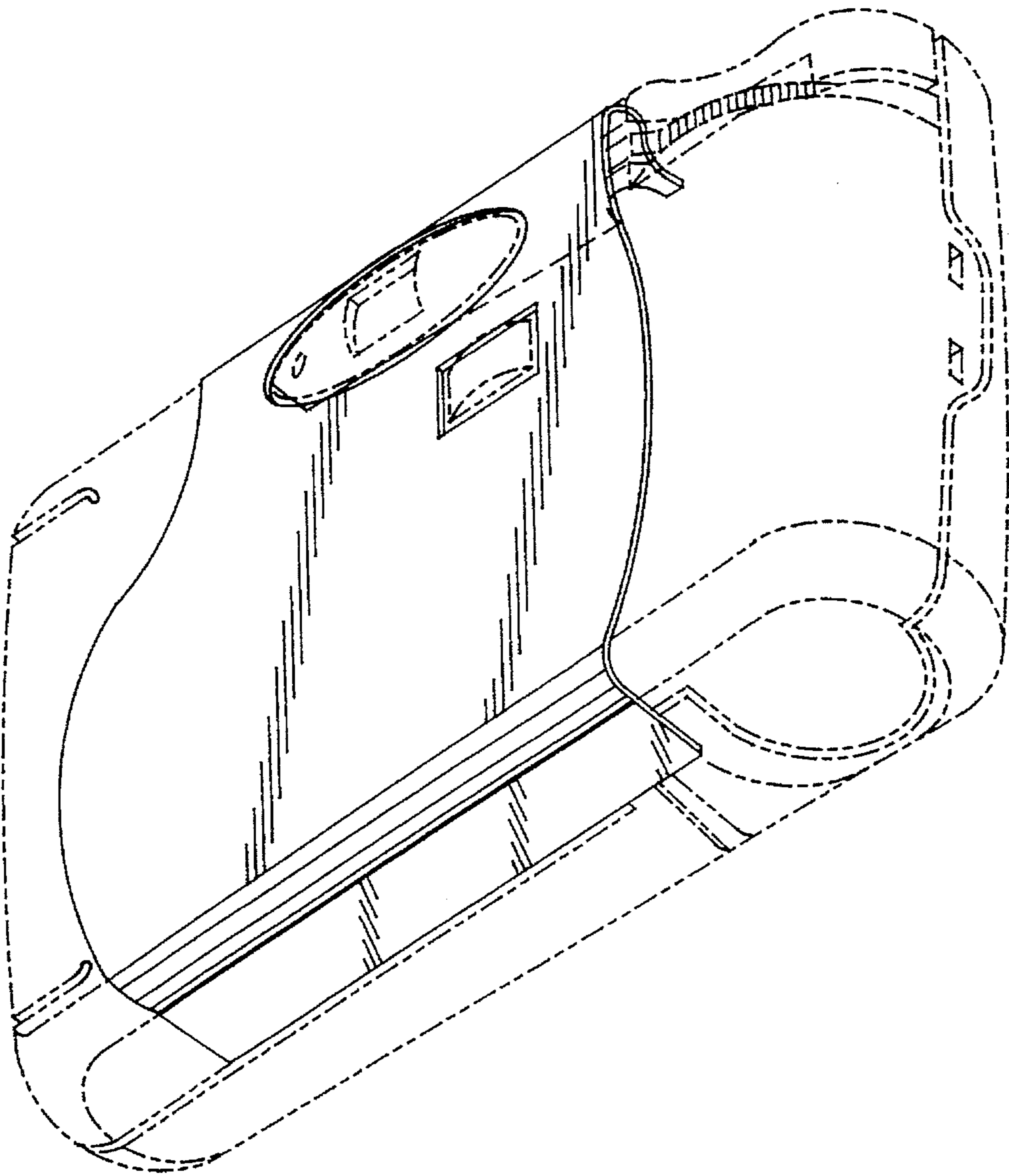


FIG. 4

FIG. 1

FIG. 5

FIG. 3



*FIG. 6*