



US00D378766S

United States Patent [19]
Schwarzli

[11] **Patent Number:** **Des. 378,766**
[45] **Date of Patent:** ****Apr. 8, 1997**

[54] **WHEELED BASE FOR A STAND**

D. 350,041 8/1994 Schwarzli D6/495
D. 357,503 4/1995 Perry et al. D20/7

[76] Inventor: **Josef W. Schwarzli**, Vandorf Road,
R.R. #4, Stouffville, Ontario, Canada,
L0H 1L0

FOREIGN PATENT DOCUMENTS

382385 11/1964 Switzerland 248/346

[**] Term: **14 Years**

Primary Examiner—Janice E. Seeger
Attorney, Agent, or Firm—Ridout & Maybee

[21] Appl. No.: **31,243**

[57] **CLAIM**

[22] Filed: **Nov. 16, 1994**

The ornamental design for a wheeled base for a stand, as shown and described.

[30] **Foreign Application Priority Data**

DESCRIPTION

Oct. 14, 1994 [CA] Canada 1994-2054

[52] **U.S. Cl.** **D20/8; D6/495**

[58] **Field of Search** D6/486, 495-499,
D6/462; 248/188.7, 188.8, 346; D20/7,
8

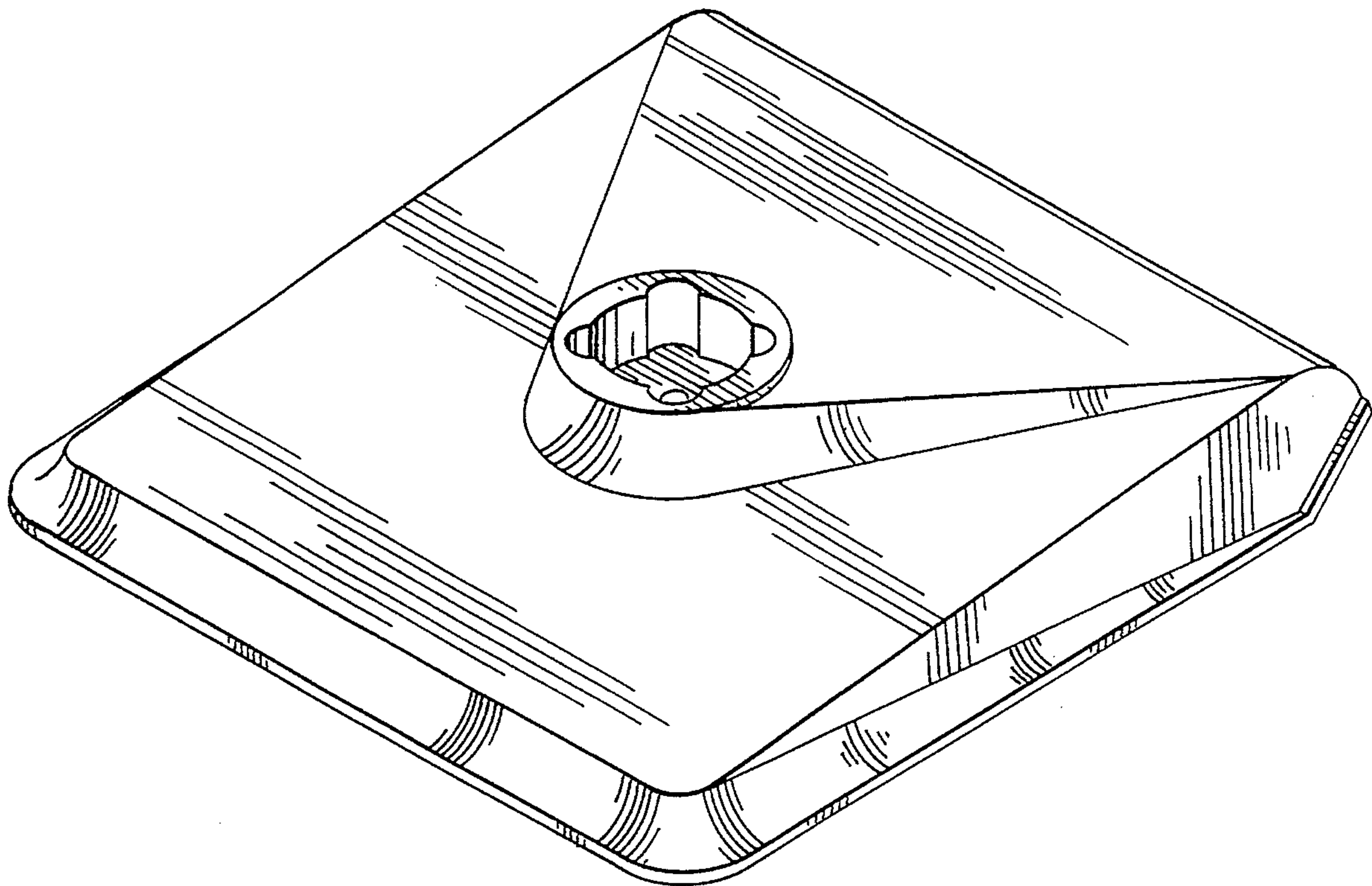
FIG. 1 is a perspective view of a wheeled base for a stand, showing my new design;
FIG. 2 is a top plan view;
FIG. 3 is a front elevation;
FIG. 4 is a side elevation;
FIG. 5 is an opposite side elevation;
FIG. 6 is a bottom plan view; and,
FIG. 7 is a rear elevation.

[56] **References Cited**

U.S. PATENT DOCUMENTS

D. 156,439 12/1949 Lebensfeld D6/495
D. 300,790 4/1989 Beckwith D6/462
D. 344,762 3/1994 Peterson D20/7

1 Claim, 4 Drawing Sheets



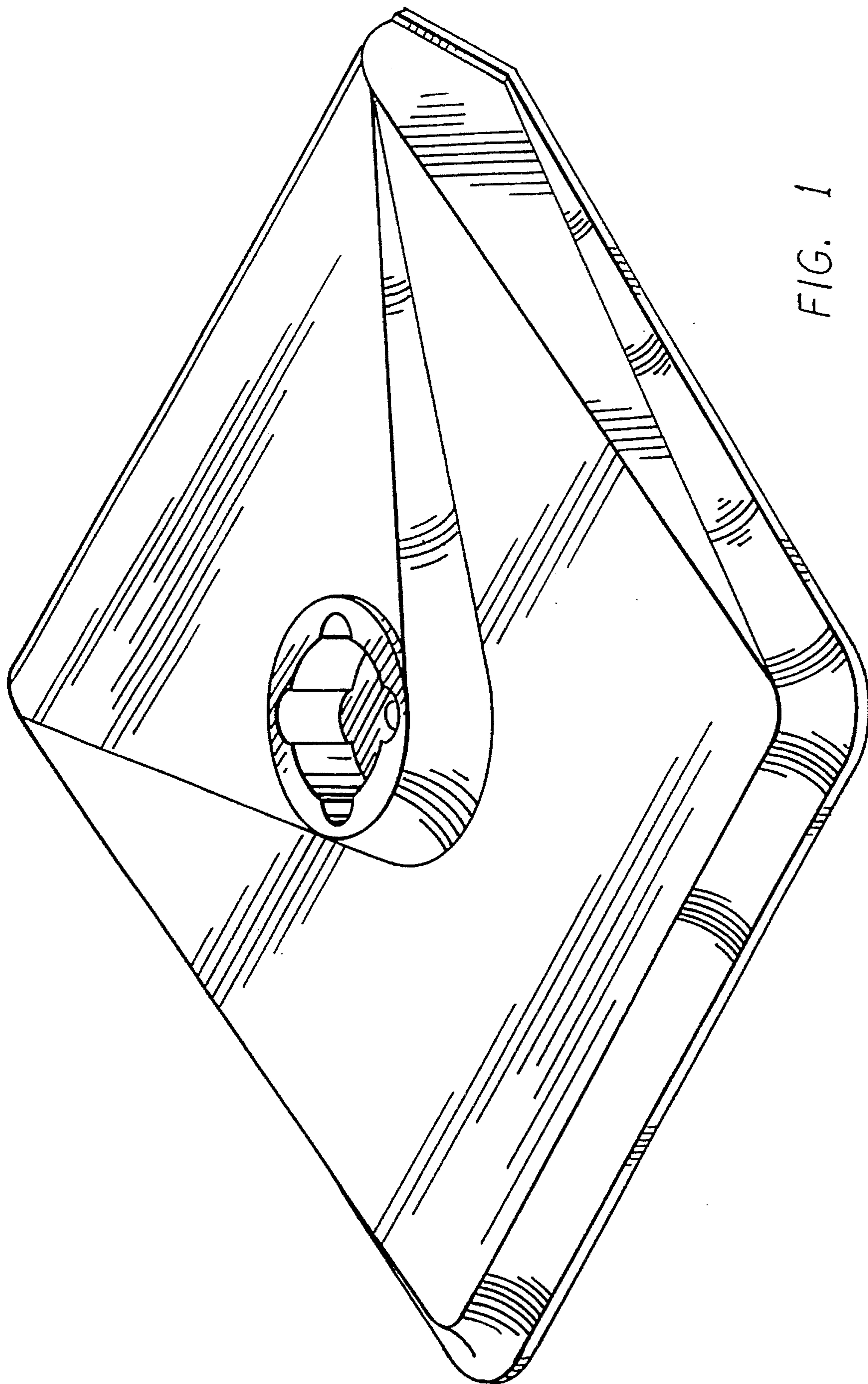


FIG. 1

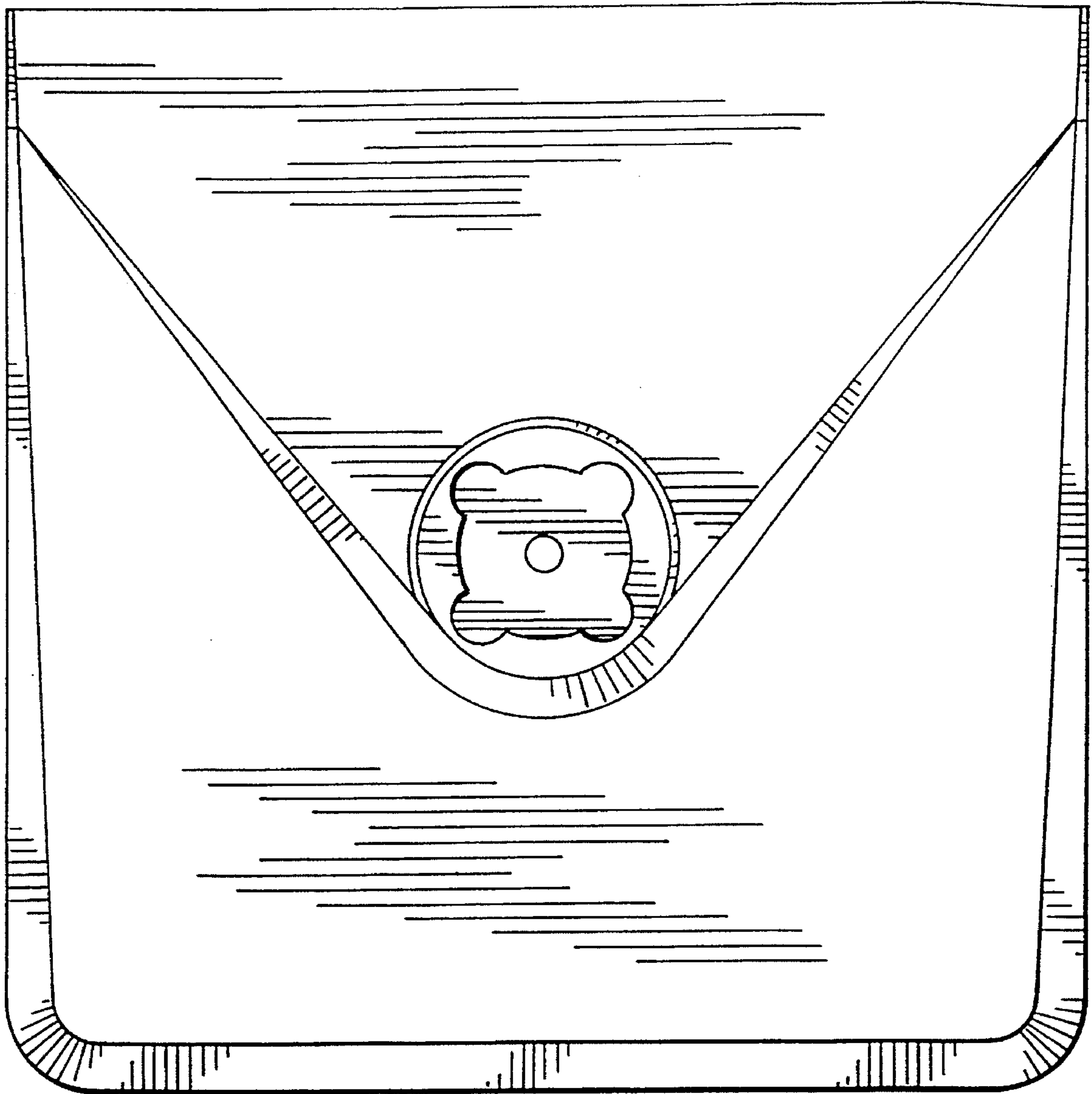


FIG. 2

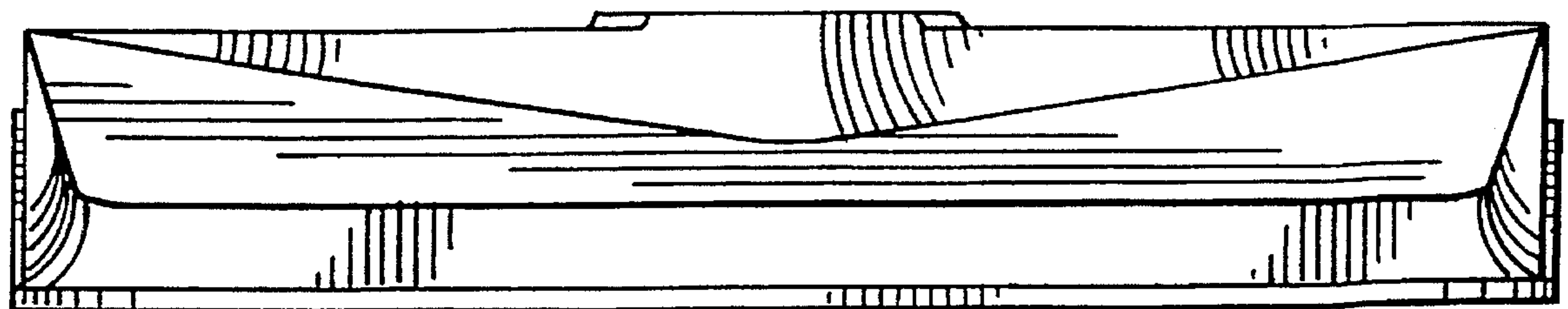


FIG. 3

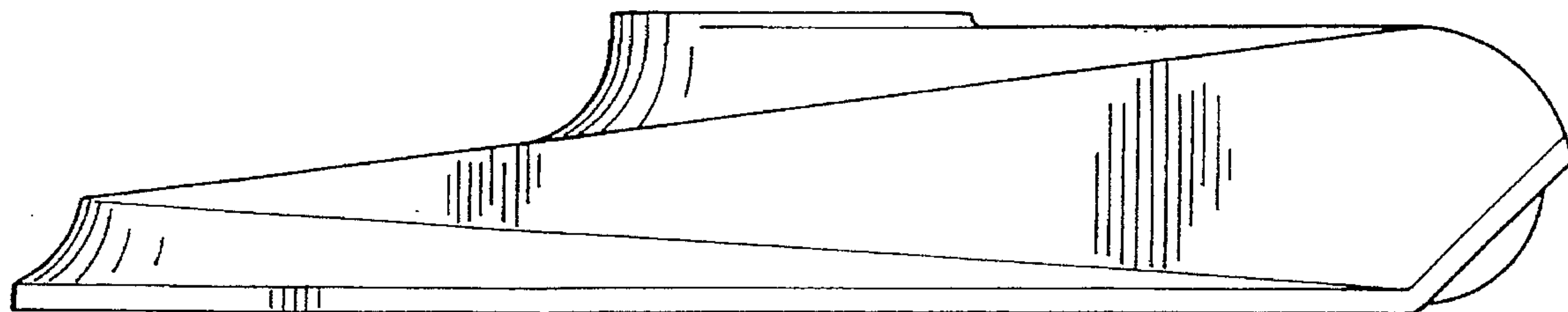


FIG. 4

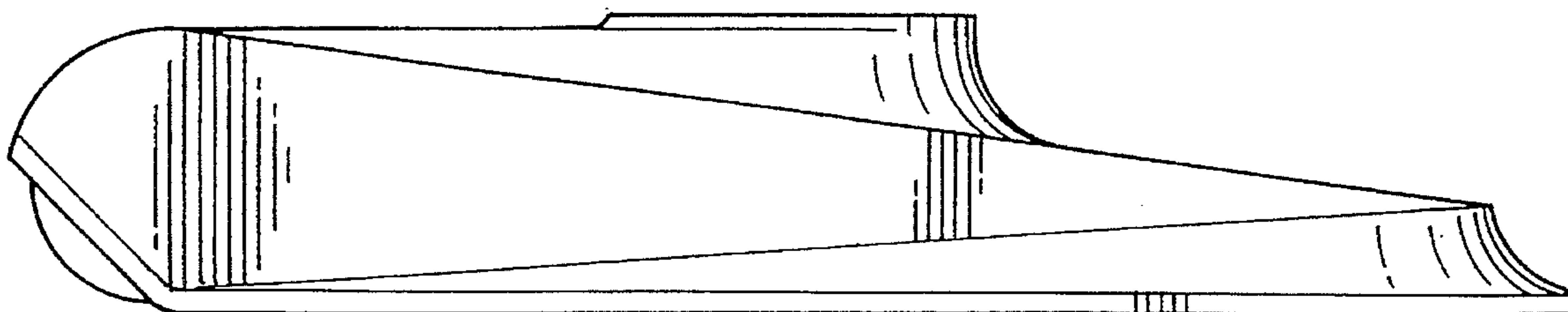


FIG. 5

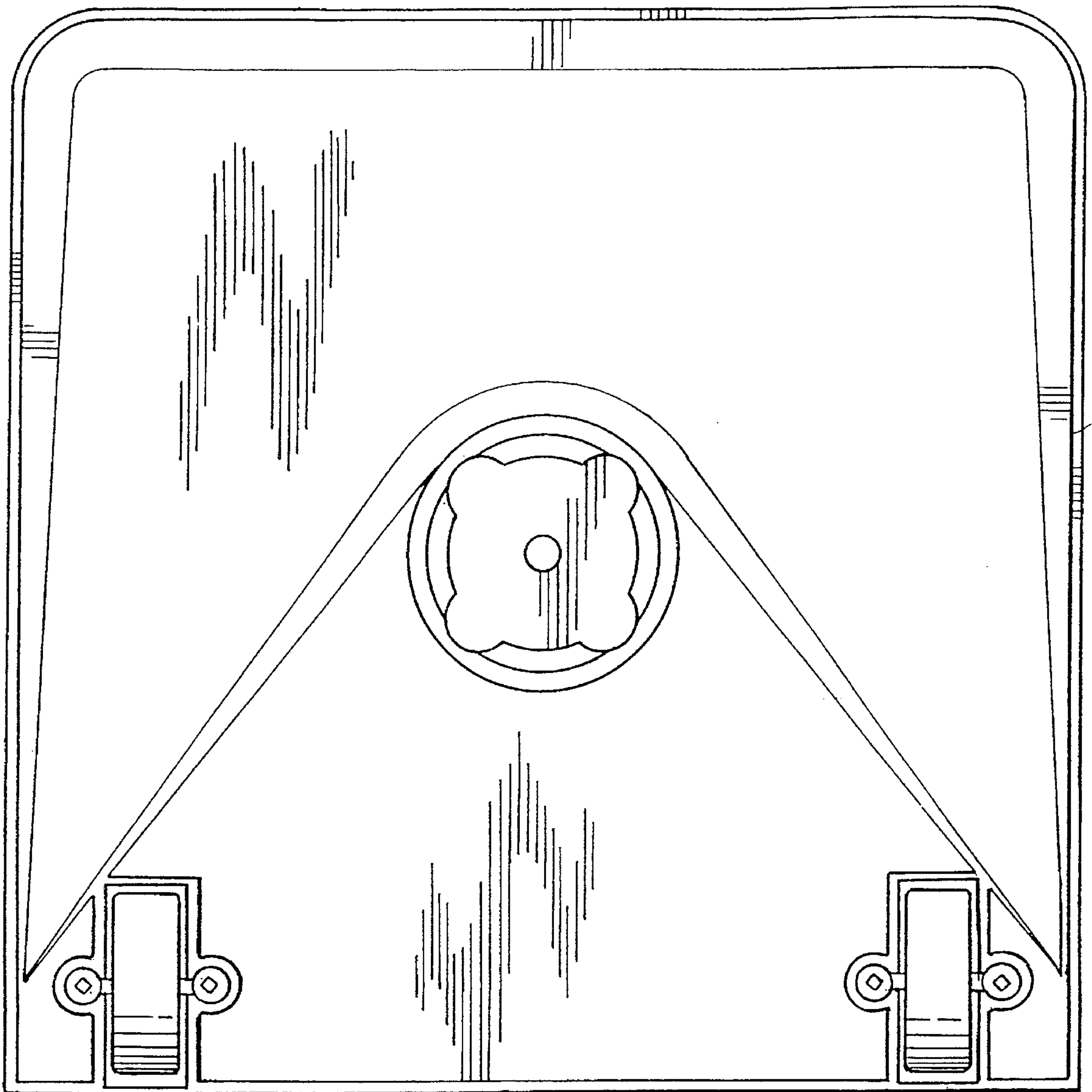


FIG. 6

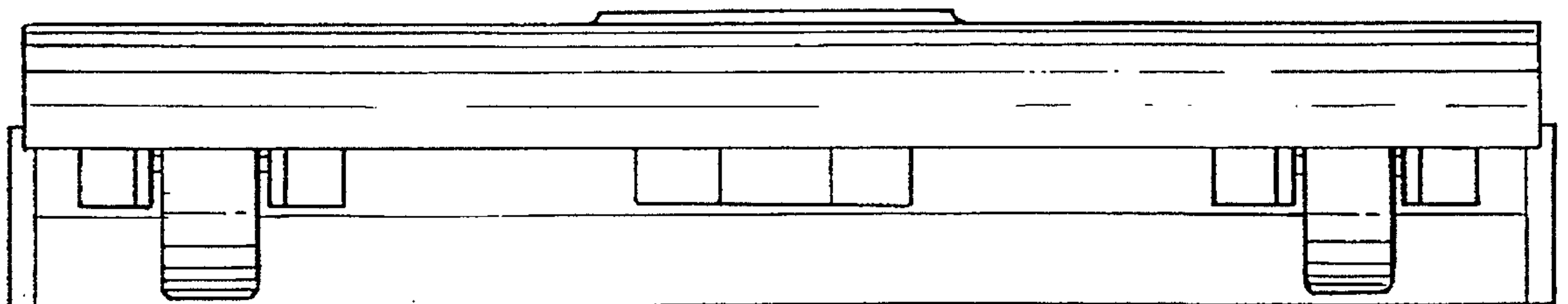


FIG. 7