



US00D378765S

United States Patent [19] Johannsen

[11] Patent Number: **Des. 378,765**

[45] Date of Patent: ****Apr. 8, 1997**

[54] **WIRE MARKER DISPENSER**
[75] Inventor: **Gerald W. Johannsen**, Round Rock, Tex.
[73] Assignee: **Minnesota Mining and Manufacturing Company**, St. Paul, Minn.
[**] Term: **14 Years**

2,604,166 7/1952 Turner 83/649 X
3,050,853 8/1962 Domeny 83/649 X
3,176,572 4/1965 Comet 83/522.19 X
3,650,059 3/1972 Johnson 40/316
4,643,059 2/1987 Philips et al. 83/649 X
5,193,427 3/1993 Johannsen 83/607

Primary Examiner—Martie Thompson
Attorney, Agent, or Firm—Gary L. Griswold; Walter N. Kirn; Jack V. Musgrove

[21] Appl. No.: **27,319**
[22] Filed: **Aug. 18, 1994**
[52] U.S. Cl. **D19/69; D19/67; D18/19**
[58] Field of Search D18/19; D20/22, D20/27; D19/65, 67, 68, 69, 72, 99, 100; 40/316; 226/52; 221/32, 312 C; 83/607, 649, 949, 522.19

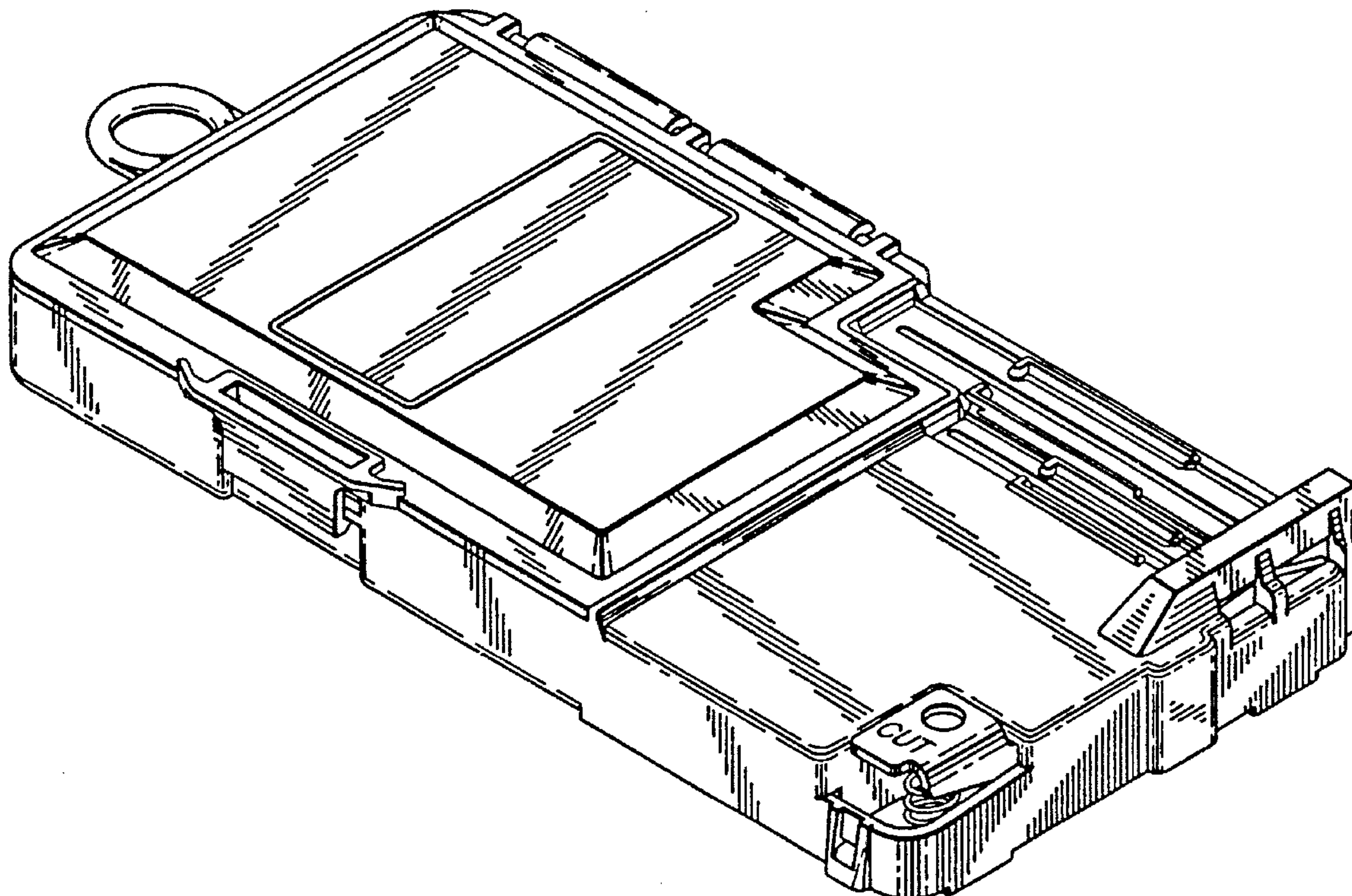
[57] **CLAIM**
The ornamental design for a wire marker dispenser, as shown and described.

DESCRIPTION

FIG. 1 is a perspective view of a wire marker dispenser showing my new design;
FIG. 2 is a top plan view thereof;
FIG. 3 is a left side elevational view thereof;
FIG. 4 is a right side elevational view thereof;
FIG. 5 is a front elevational view thereof;
FIG. 6 is a rear elevational view thereof; and,
FIG. 7 is a bottom plan view thereof.

[56] **References Cited**
U.S. PATENT DOCUMENTS
D. 183,053 6/1958 Lindemann D19/69
D. 298,513 11/1988 Girardi et al. D19/67 X
D. 349,301 8/1994 Mori D19/72

1 Claim, 2 Drawing Sheets



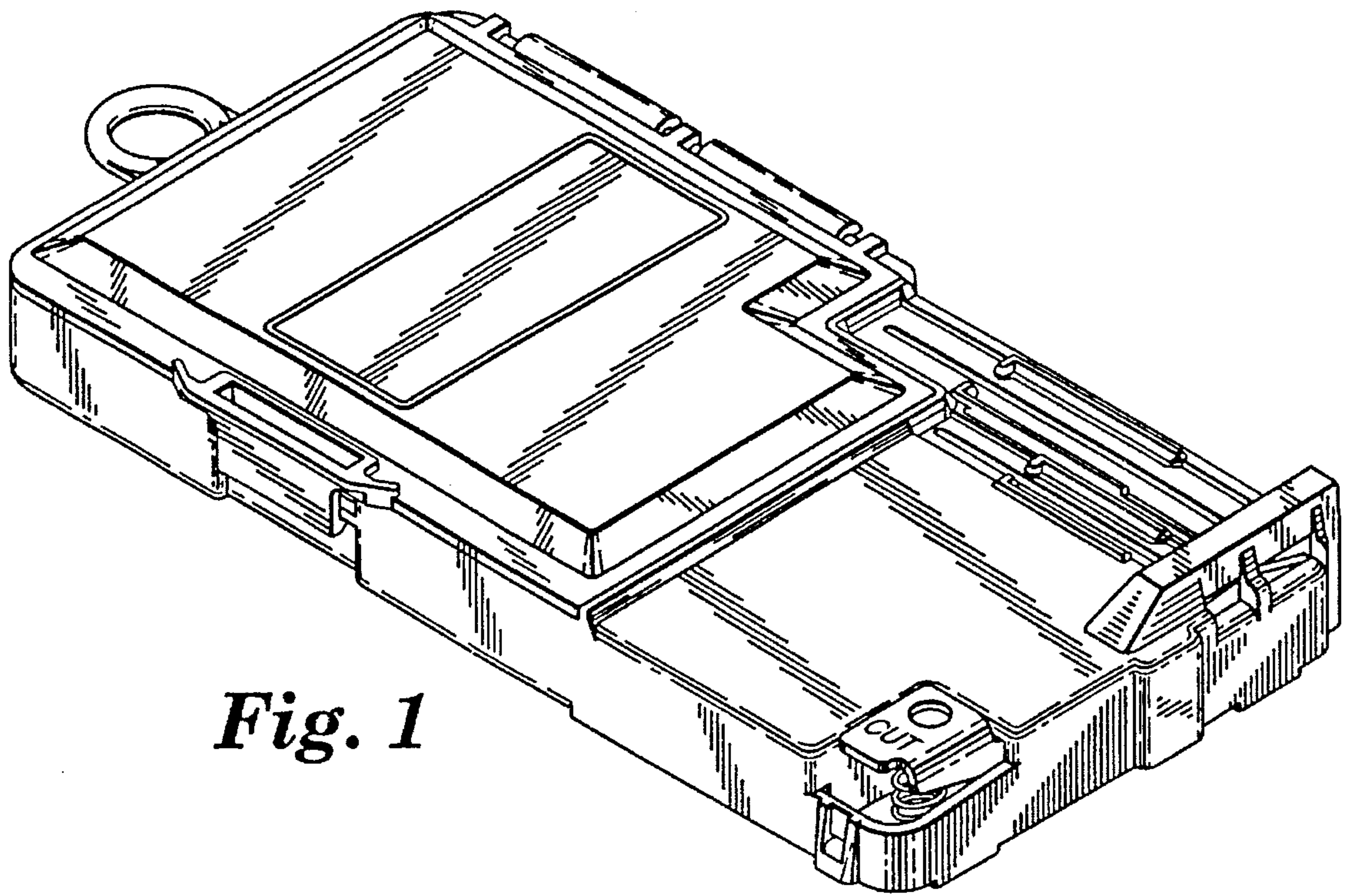


Fig. 1

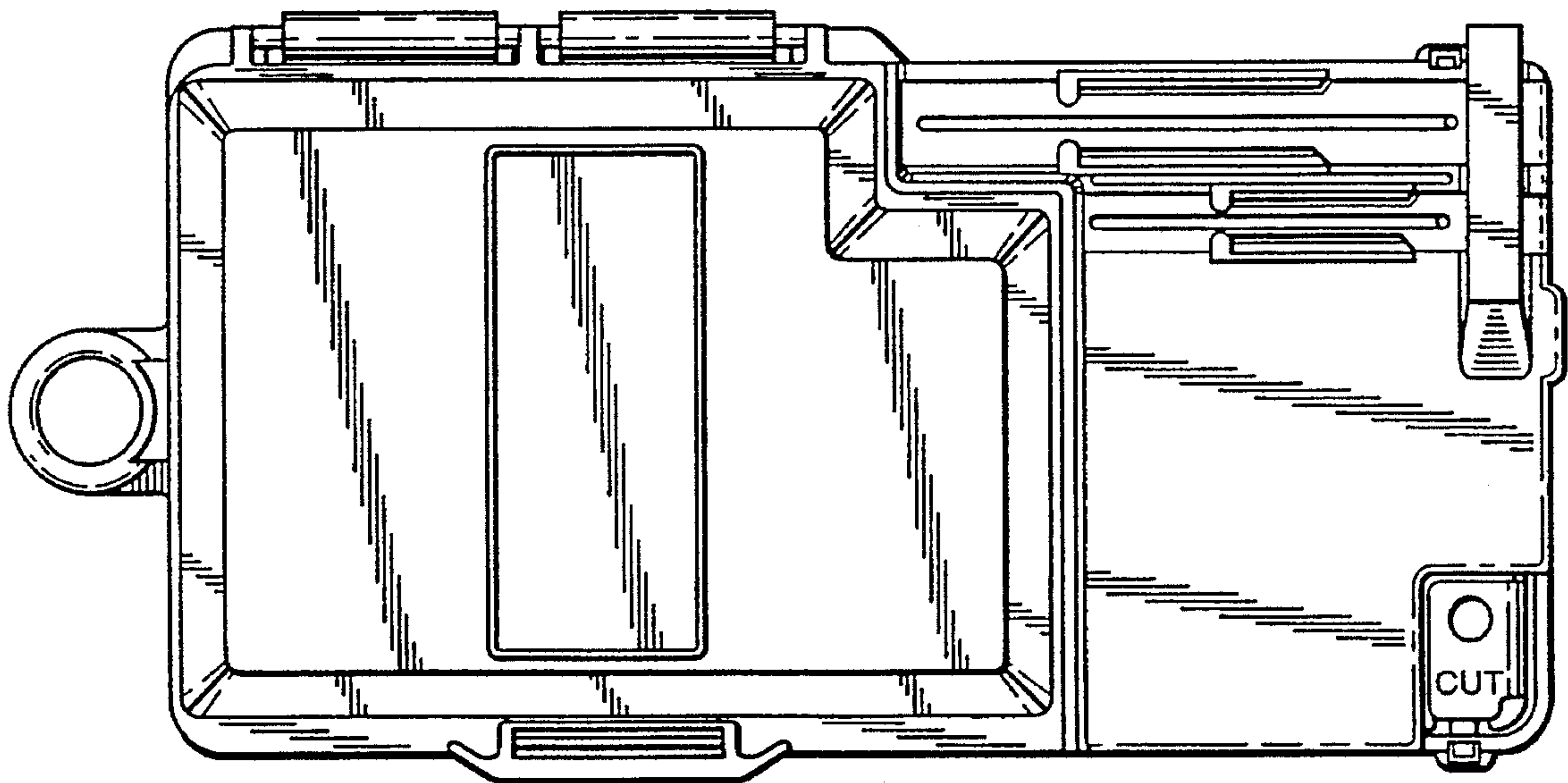


Fig. 2

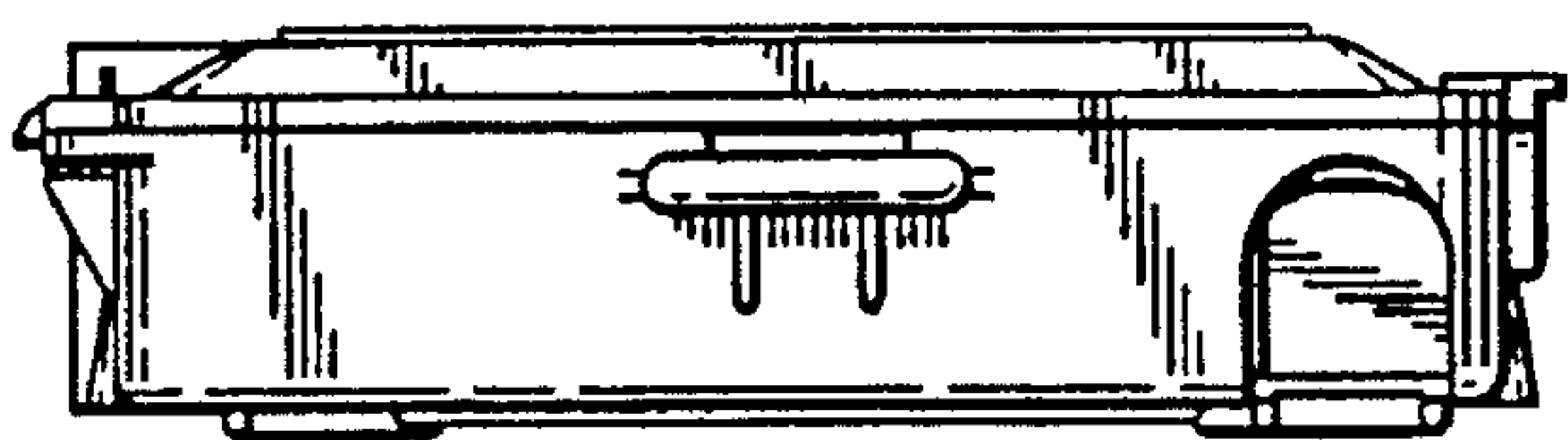


Fig. 3

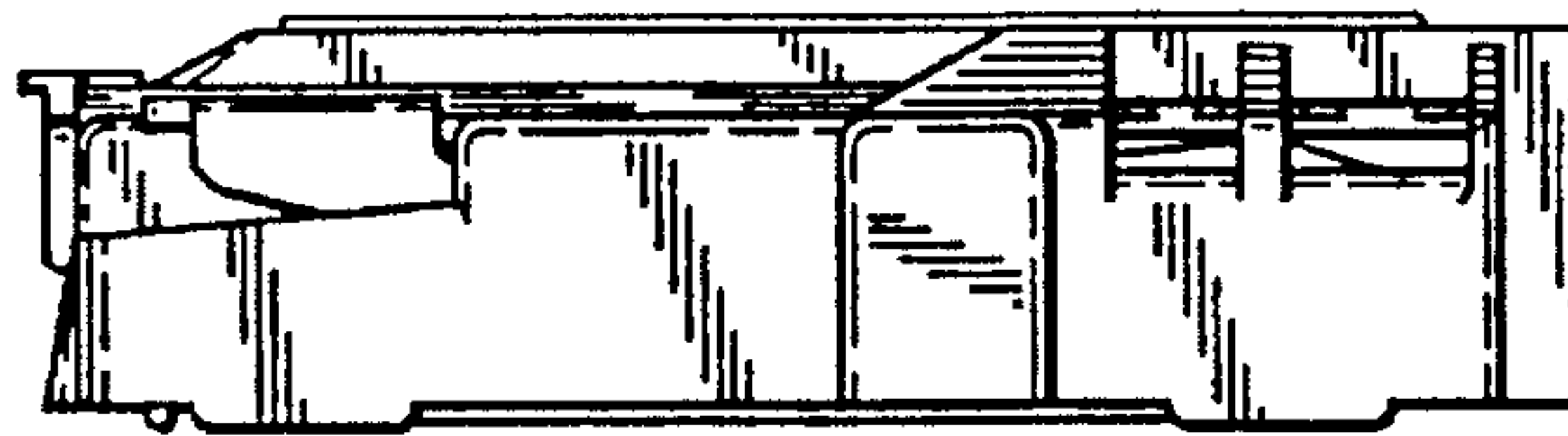


Fig. 4

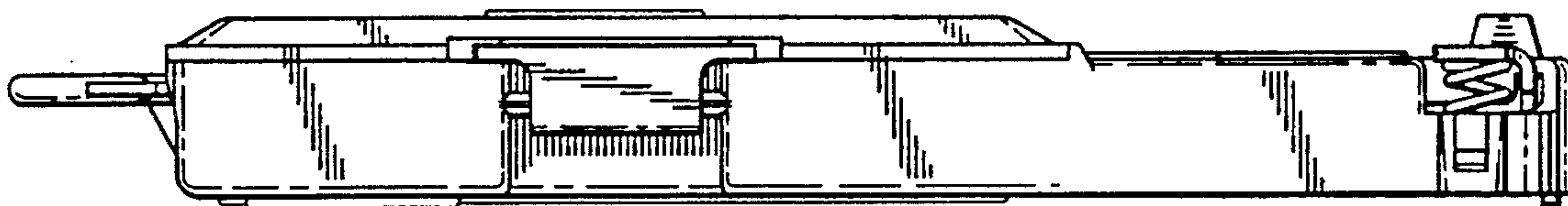


Fig. 5

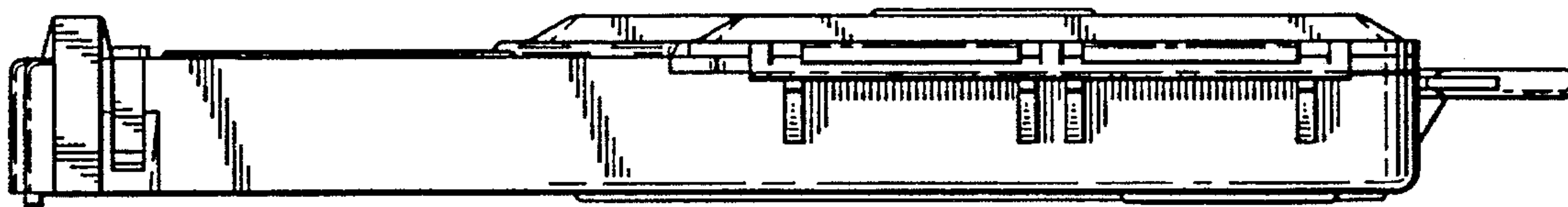


Fig. 6

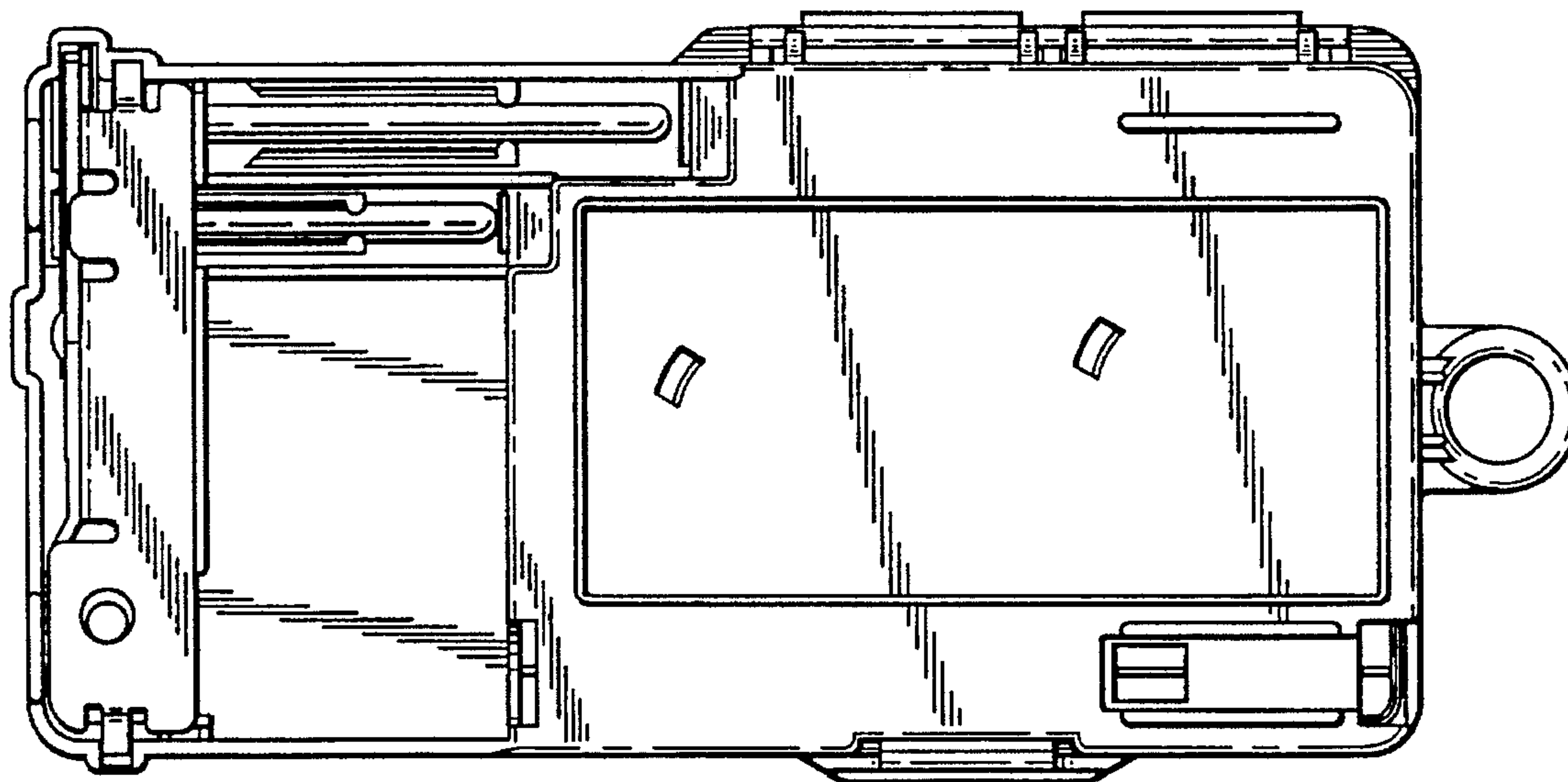


Fig. 7