



US00D378760S

# United States Patent [19]

Shinada et al.

[11] Patent Number: **Des. 378,760**

[45] Date of Patent: **\*\*Apr. 8, 1997**

[54] **INK CARTRIDGE FOR PRINTER**  
[75] Inventors: **Satoshi Shinada; Takao Kobayashi; Seiji Mochizuki; Satoshi Fujioka**, all of Suwa, Japan

4,491,433 1/1985 Shiurila et al. .... 347/85  
4,920,360 4/1990 Terasawa et al. .... 347/87  
5,119,115 6/1992 Buat et al. .... 347/86  
5,231,425 7/1993 Masuda et al. .... 347/87  
5,314,257 5/1994 Cheng ..... D18/56

[73] Assignee: **Seiko Epson Corporation**, Tokyo, Japan

*Primary Examiner*—Cathy Anne MacCormac  
*Attorney, Agent, or Firm*—Stroock & Stroock & Lavan

[\*\*] Term: **14 Years**

### [57] CLAIM

[21] Appl. No.: **37,911**

The ornamental design for an ink cartridge for printer, as shown and described.

[22] Filed: **Apr. 24, 1995**

### DESCRIPTION

### [30] Foreign Application Priority Data

FIG. 1 is a top, front and right side perspective view of an ink cartridge for printer showing our new design;  
FIG. 2 is a front view thereof;  
FIG. 3 is a rear view thereof;  
FIG. 4 is a right side view thereof;  
FIG. 5 is a top plan view thereof;  
FIG. 6 is a bottom view thereof;  
FIG. 7 is a top, front and right side perspective view of the other embodiment showing our new design;  
FIG. 8 is a front view thereof;  
FIG. 9 is a rear view thereof;  
FIG. 10 is a right side view thereof; and,  
FIG. 11 is a bottom view thereof.

Oct. 24, 1994 [JP] Japan ..... 6-32358

[52] **U.S. Cl.** ..... **D18/56; 347/86**

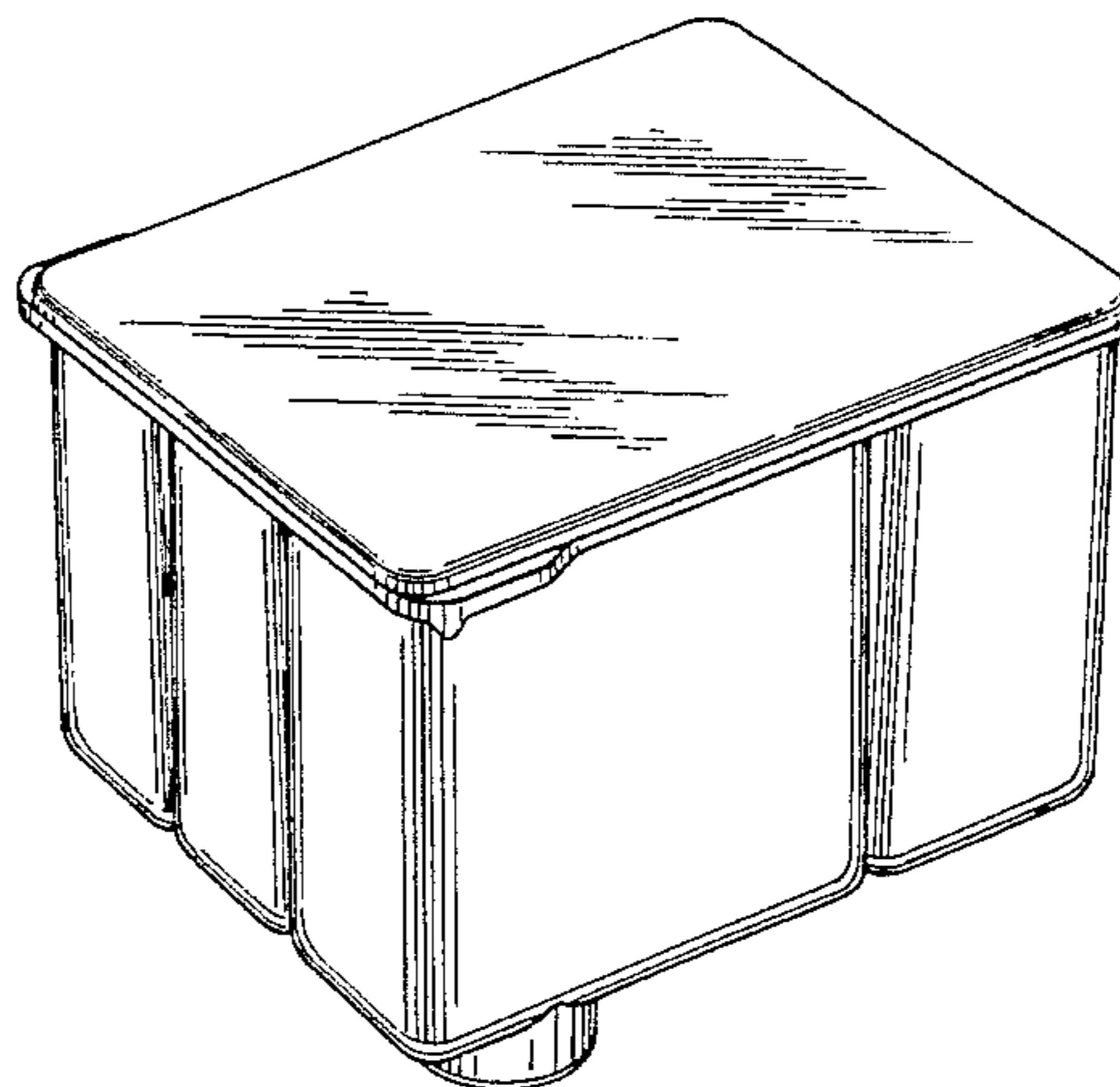
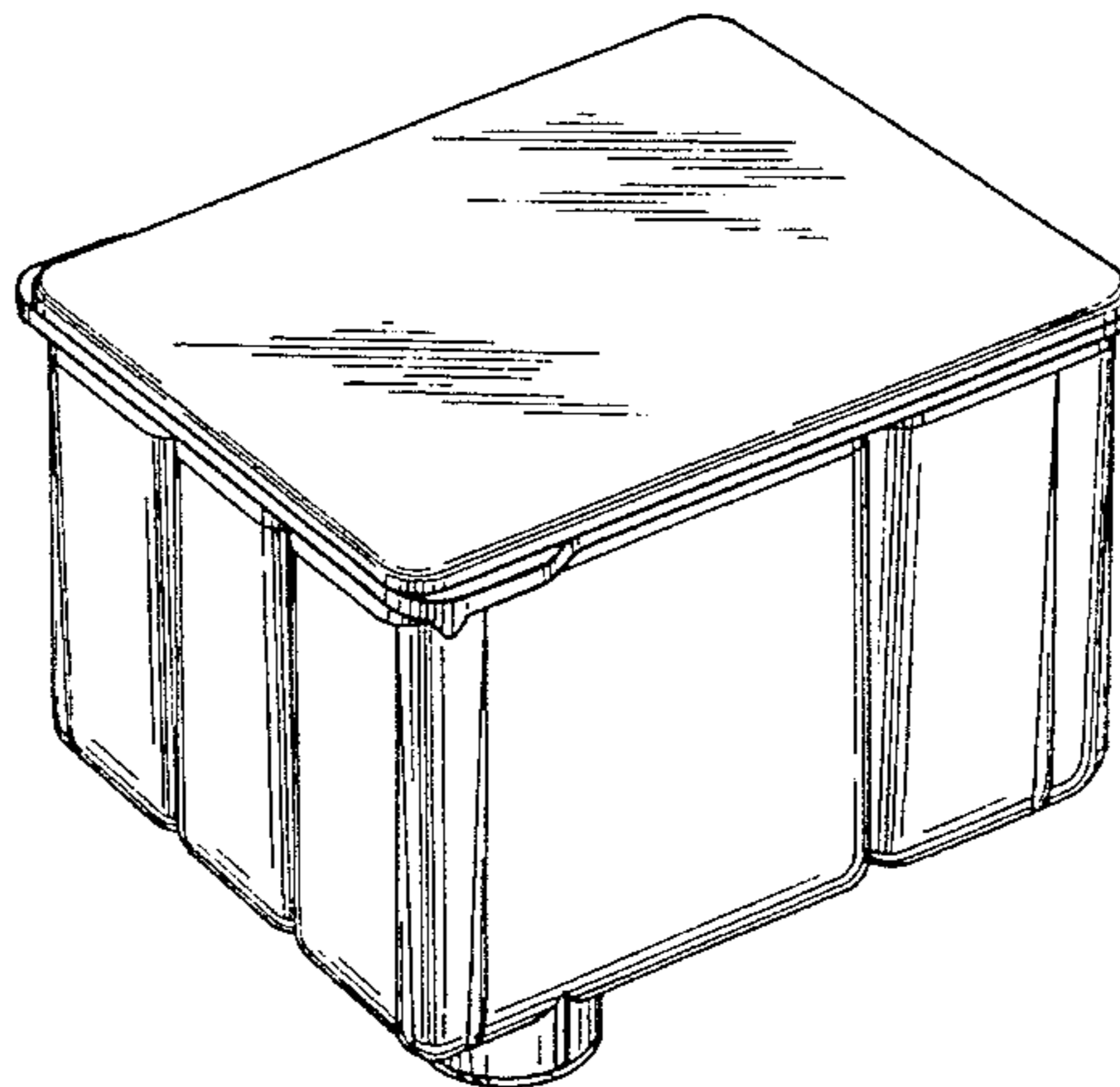
[58] **Field of Search** ..... D18/12, 43, 56;  
347/42-43, 86-87

### [56] References Cited

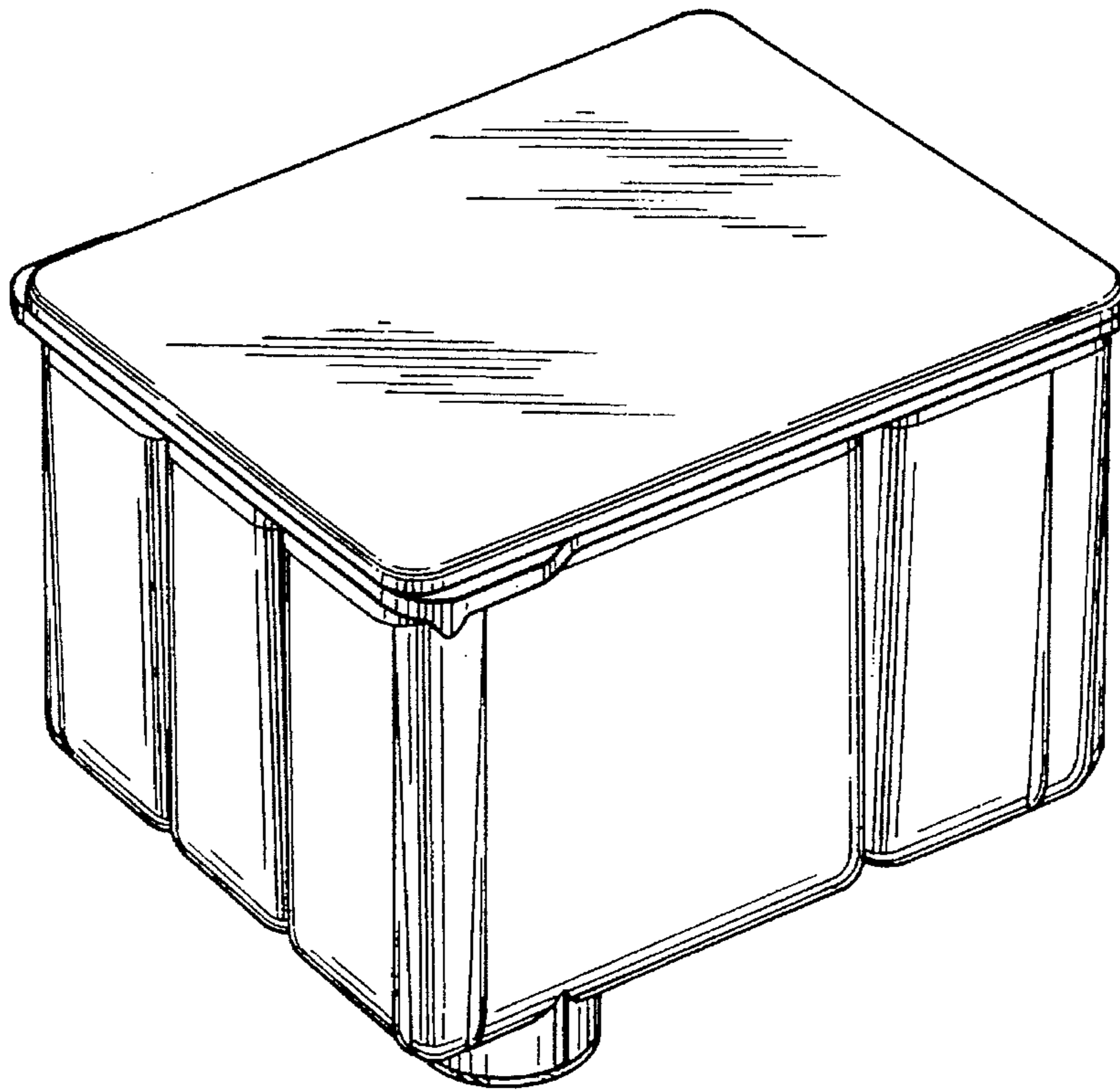
#### U.S. PATENT DOCUMENTS

D. 279,581 7/1985 Juliana et al. .... D18/56  
D. 314,973 2/1991 Yamamoto ..... D18/56  
D. 330,216 10/1992 Mitcham ..... D18/56  
D. 351,190 10/1994 Oshima et al. .... D18/56  
D. 365,596 12/1995 Miyazawa et al. .... D18/56  
4,156,244 5/1979 Erikson et al. .... 347/86

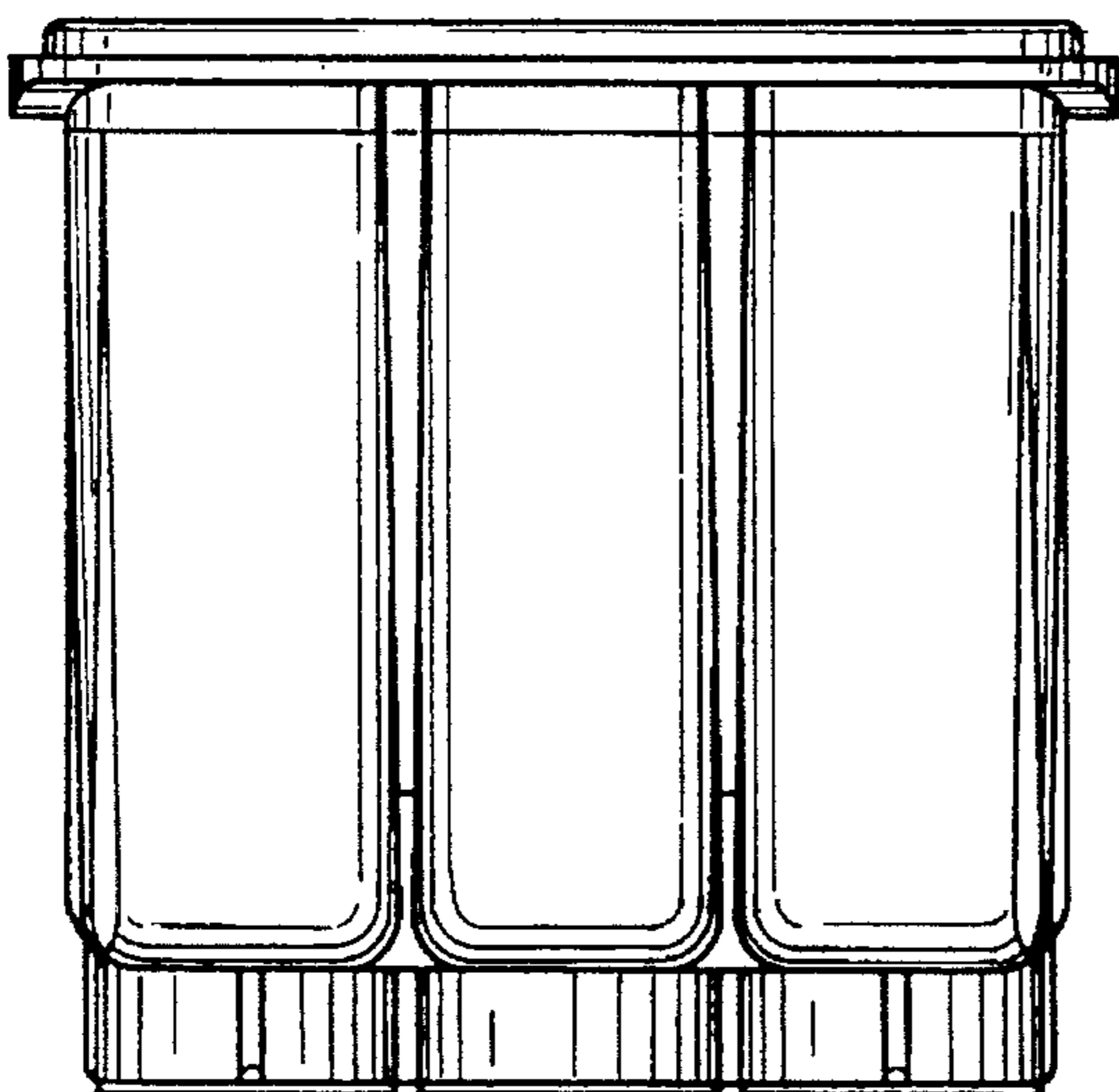
**1 Claim, 4 Drawing Sheets**



*FIG. 1*



*FIG. 2*



*FIG. 3*

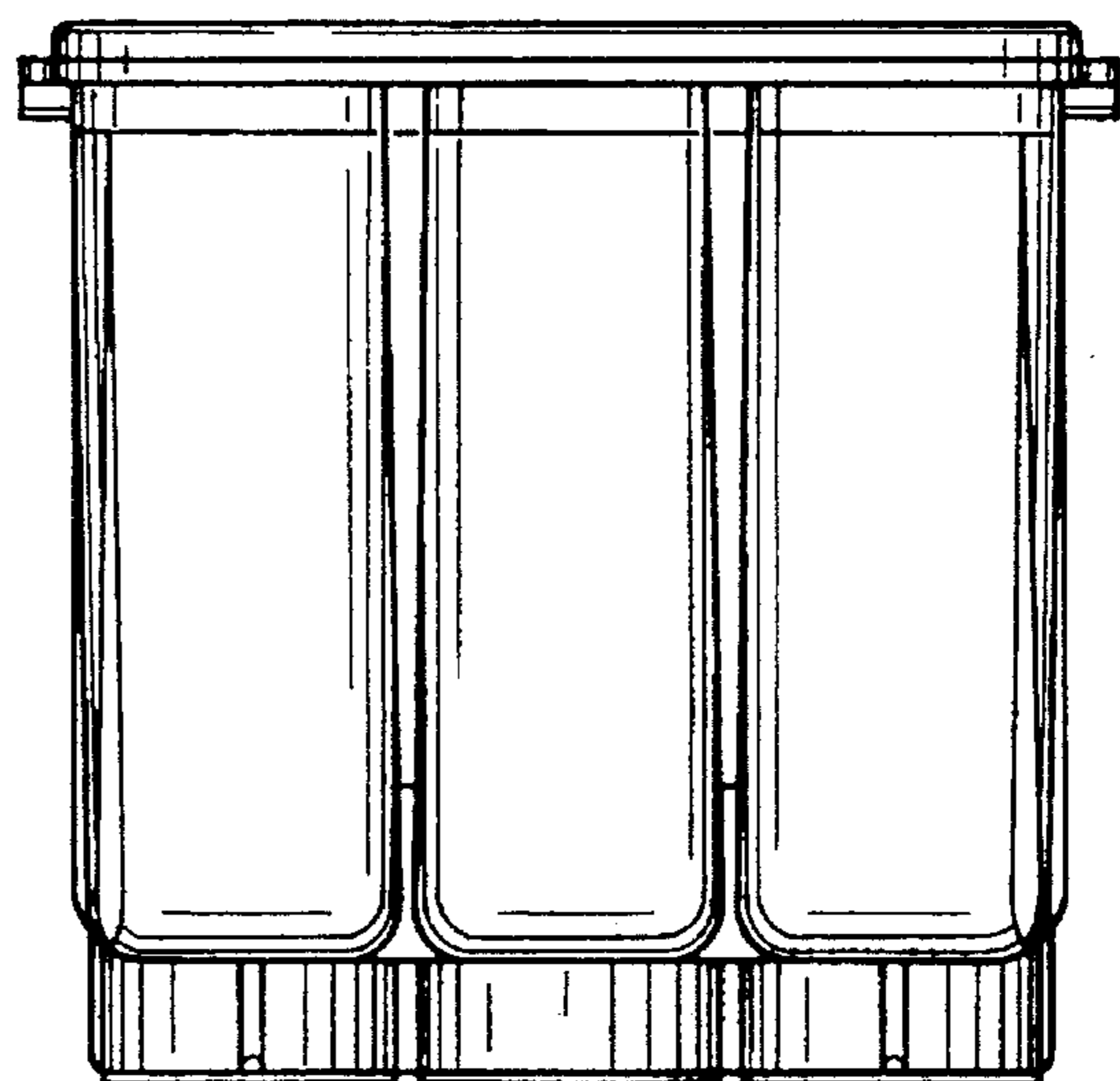


FIG. 4

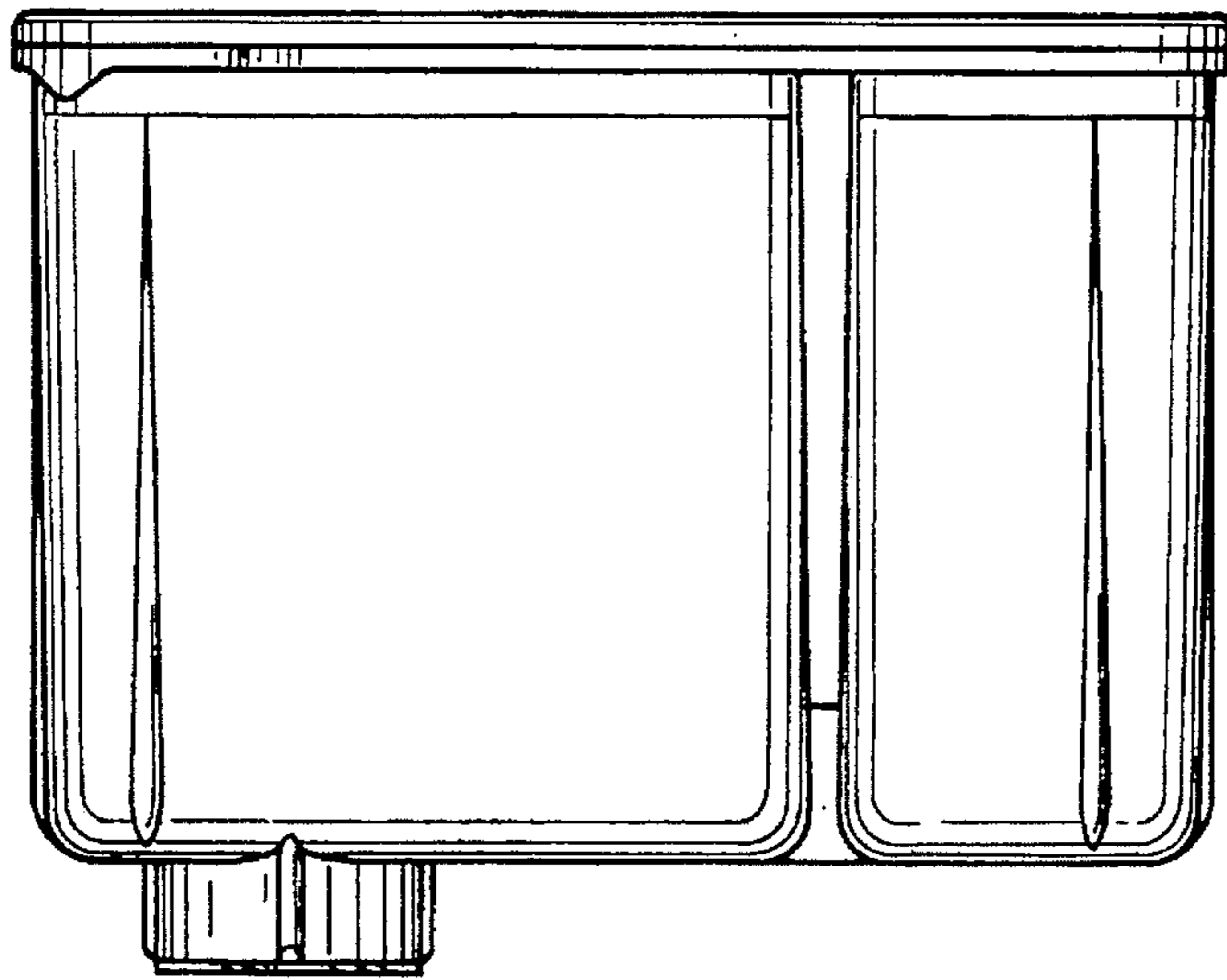


FIG. 5

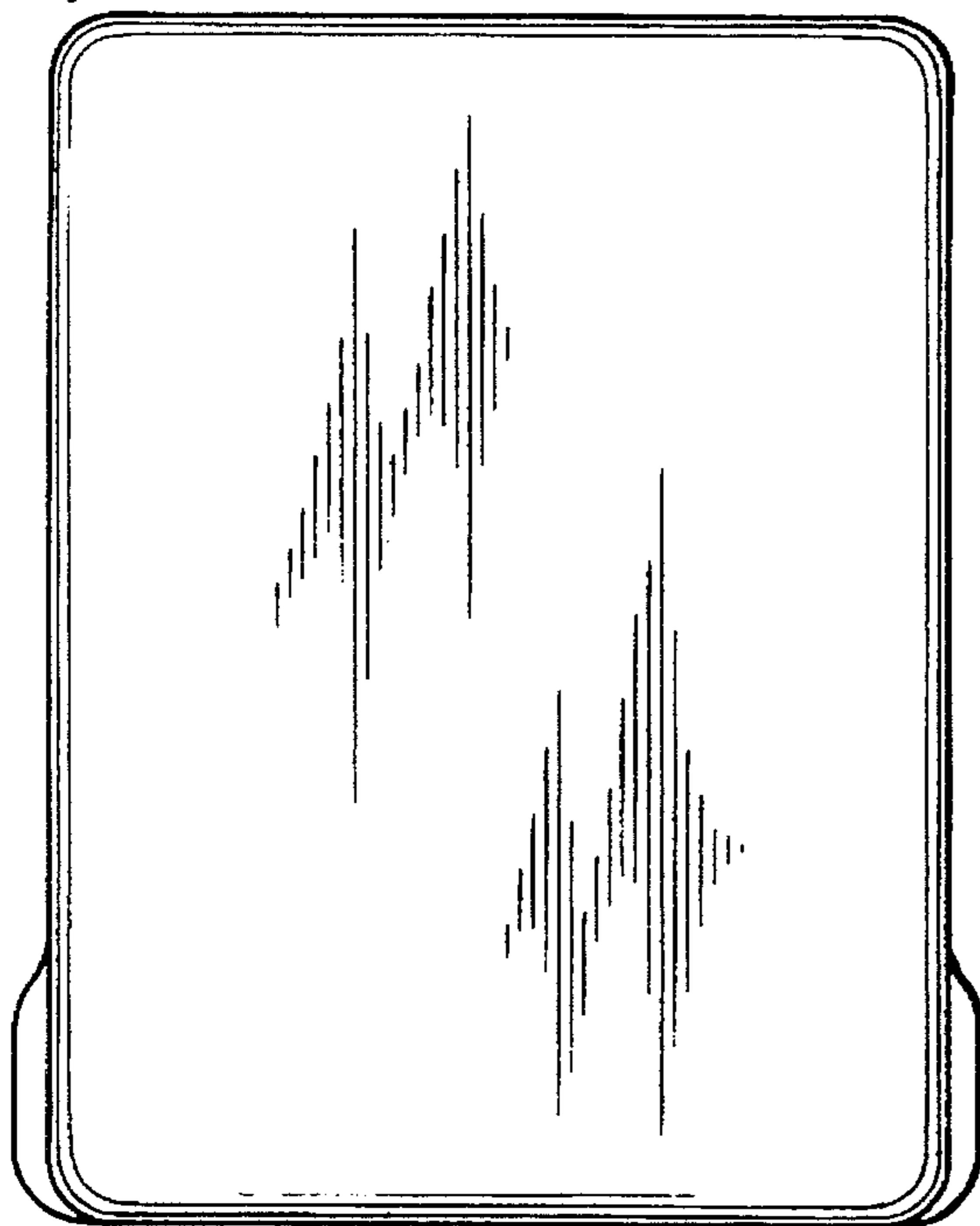
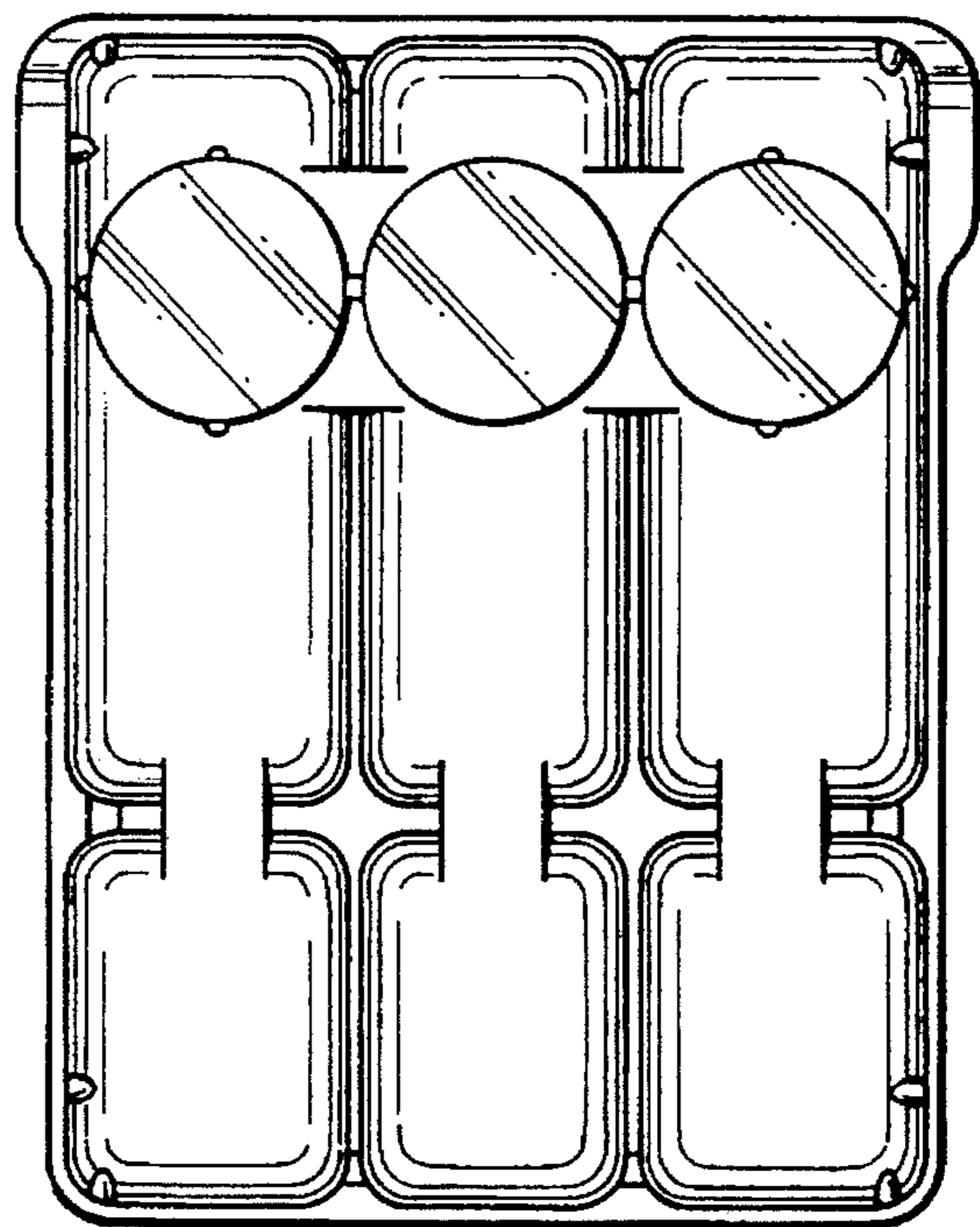
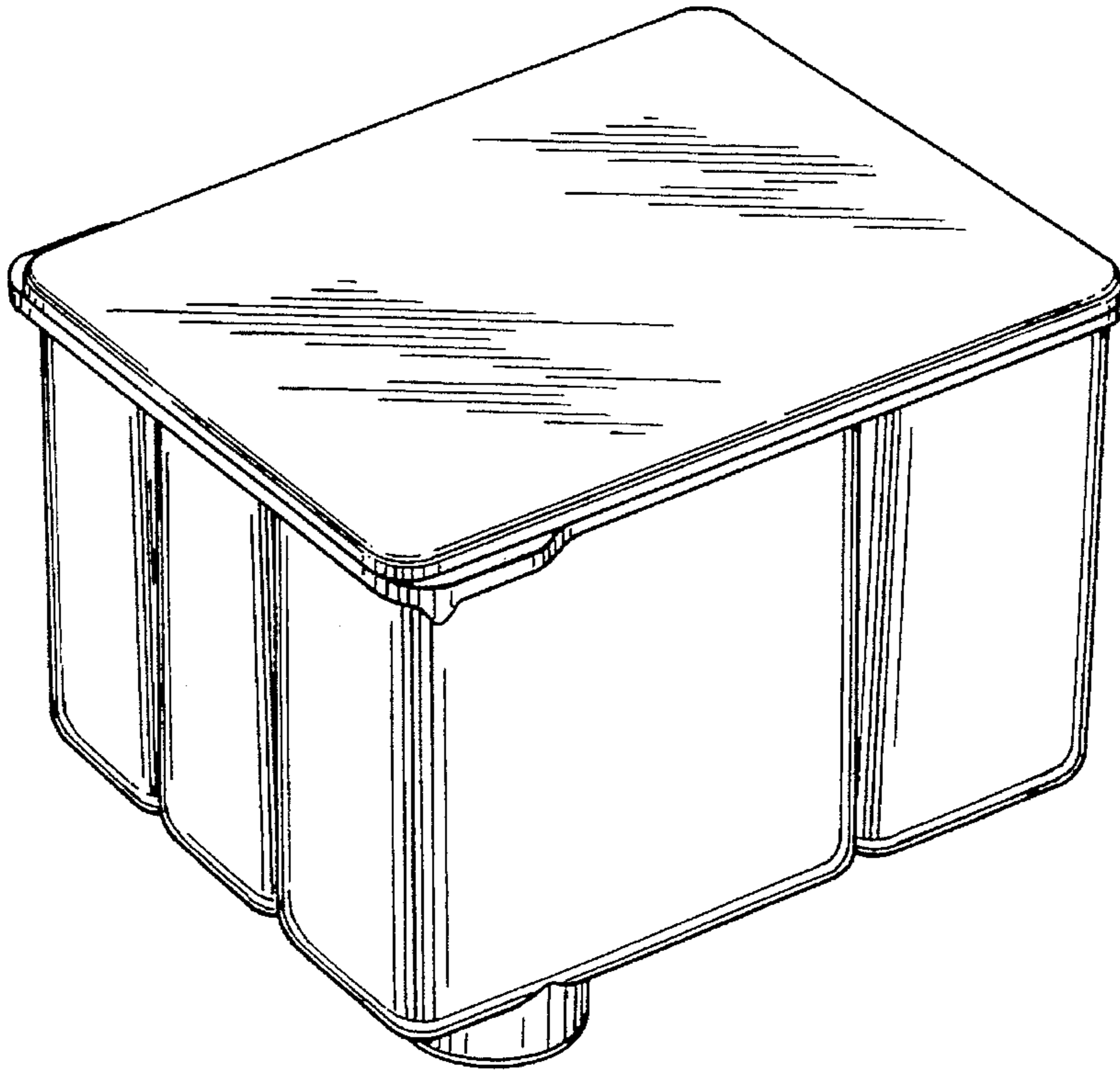


FIG. 6

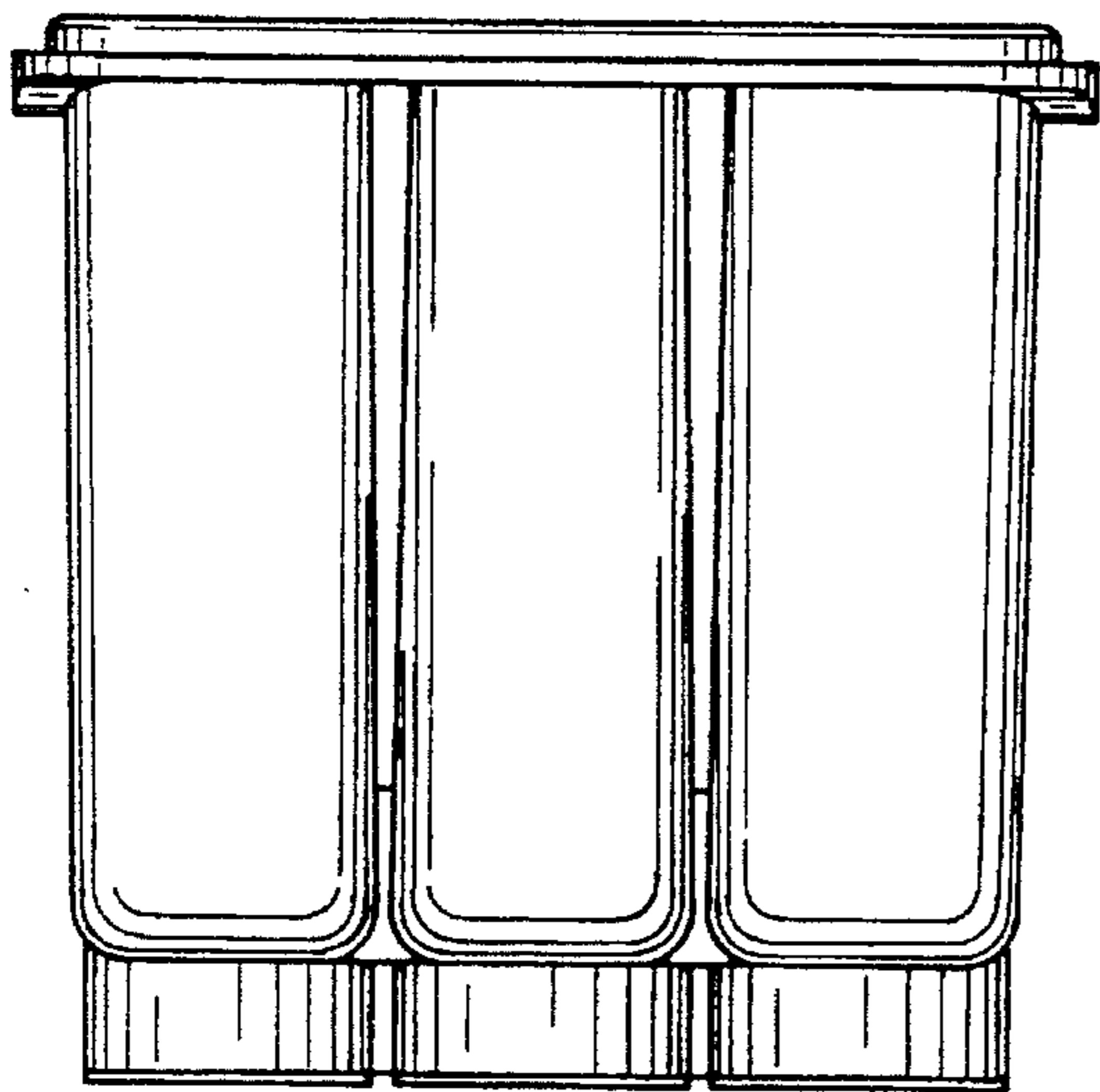




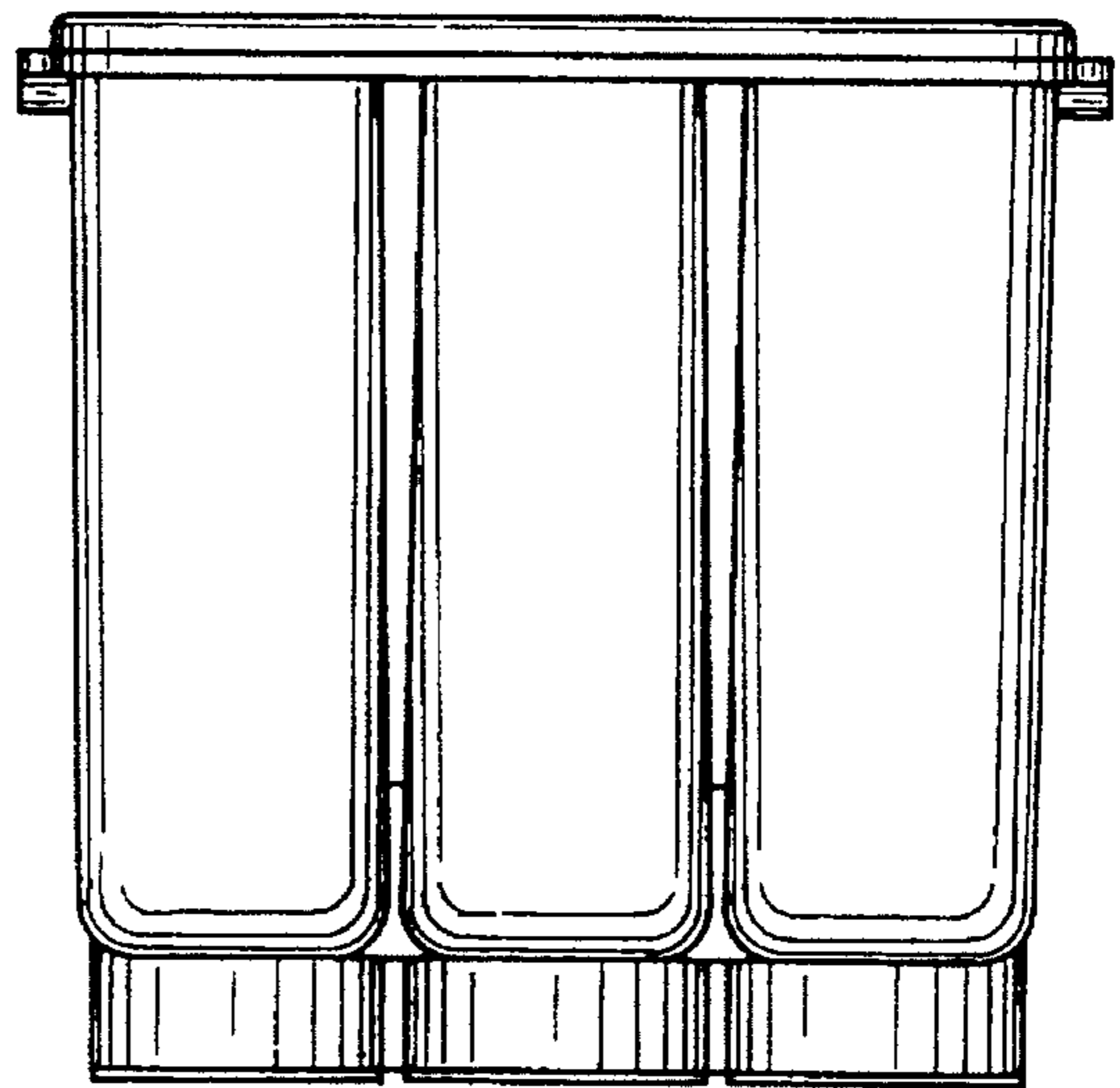
*FIG. 7*



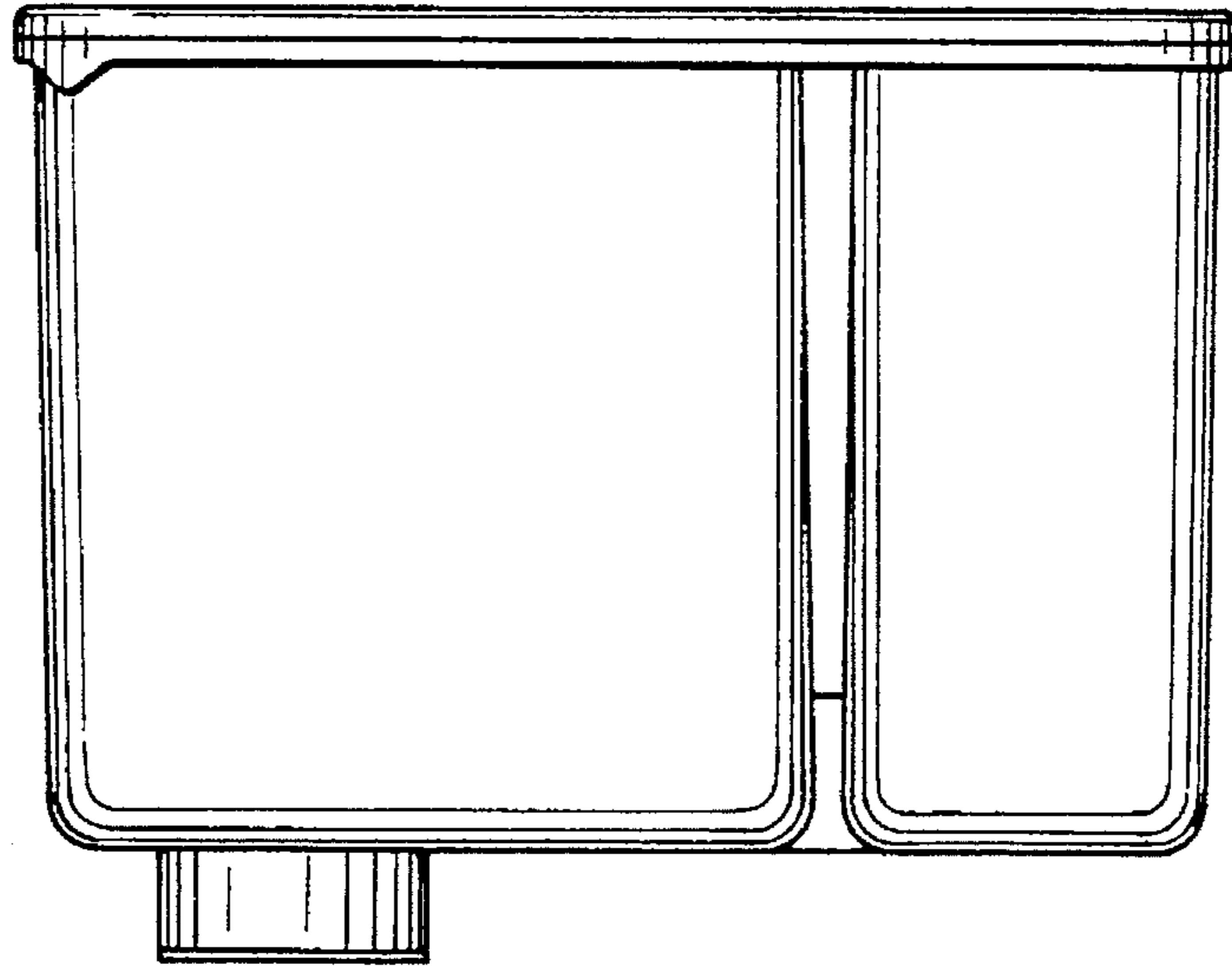
*FIG. 8*



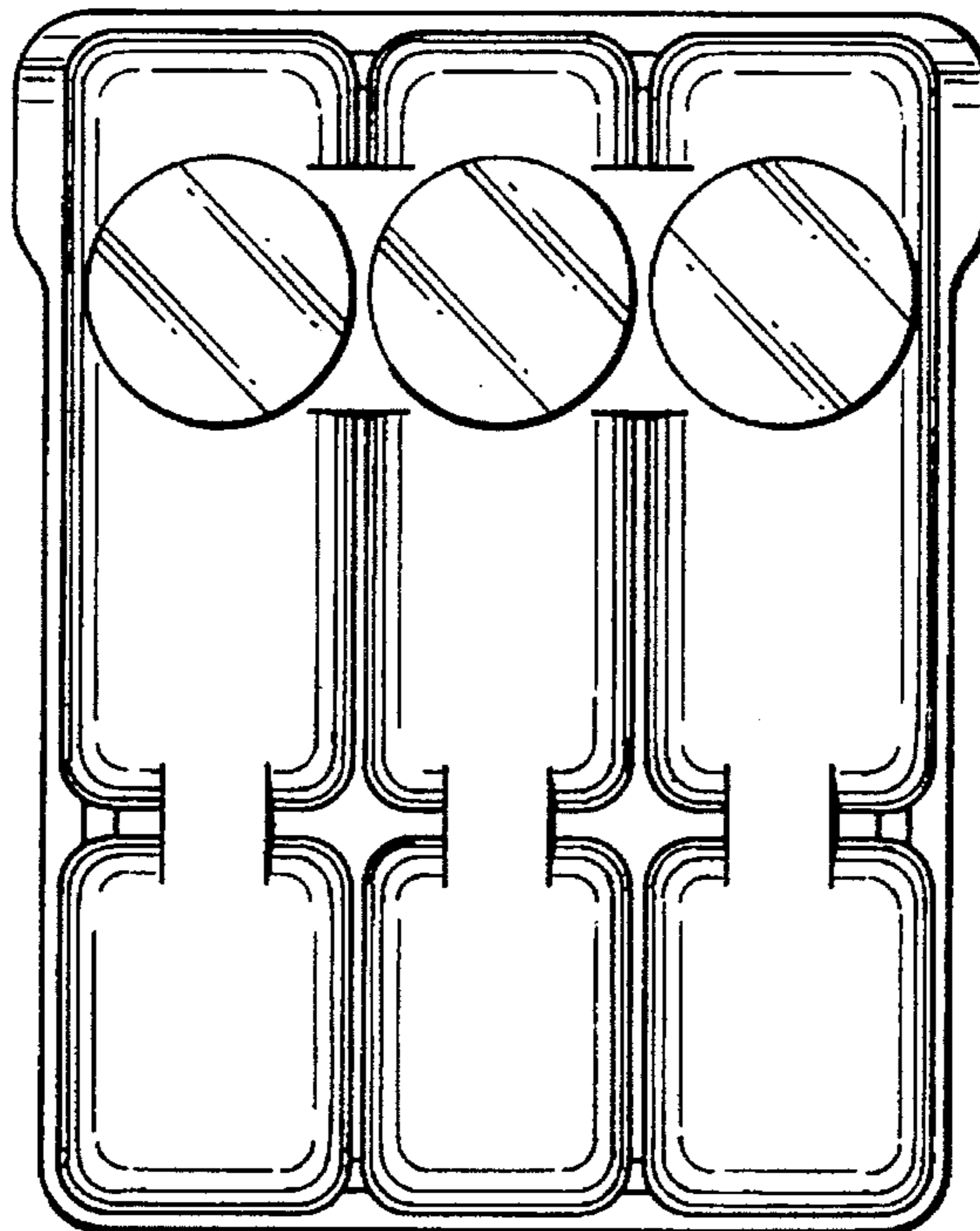
*FIG. 9*



*FIG. 10*



*FIG. 11*



UNITED STATES PATENT AND TRADEMARK OFFICE  
**CERTIFICATE OF CORRECTION**

PATENT NO. : Des. 378,760  
DATED : April 8, 1997  
INVENTOR(S) : Satoshi Shinada, Takao Kobayashi, Seiji Mochizuki, Satoshi Fujioka

It is certified that error appears in the above-identified patent and that said Letters Patent is hereby corrected as shown below:

ON THE TITLE PAGE

[30] **Foreign Application Priority Data**

Oct. 24, 1994 [JP] .....6-32358  
Mar. 31, 1995 [JP] .....7-9089

Signed and Sealed this  
Twenty-fifth Day of November, 1997



Attest:

BRUCE LEHMAN

Attesting Officer

Commissioner of Patents and Trademarks