



US00D378756S

United States Patent [19]

McDonald et al.

[11] Patent Number: **Des. 378,756**

[45] Date of Patent: ****Apr. 8, 1997**

[54] **SHAPE MAKER**

3,503,583 3/1970 Jester et al. 249/176
5,039,603 8/1991 Pocius 434/195 X

[76] Inventors: **Paul R. McDonald**, 89 Morris Ave.,
Edison, N.J. 08837; **Gerald R. Pfund**,
131 Lakewood Ave., Ho-Ho-Kus, N.J.
07423

Primary Examiner—Antoine Duval Davis
Attorney, Agent, or Firm—Weingram & Associates

[**] Term: **14 Years**

[57] CLAIM

The ornamental design for shape maker, as shown and described.

[21] Appl. No.: **50,002**

DESCRIPTION

[22] Filed: **Feb. 7, 1996**

[52] U.S. Cl. **D15/136**; D10/64; D10/71

[58] Field of Search D10/64, 71; D15/135,
D15/136; D19/37, 59-64; D21/107; 38/562-566;
249/176; 425/461-464, 462, 463, 470, 357;
434/193, 195, 200, 407

FIG. 1 is a top perspective view showing my new design for a shape maker in accordance with the present invention;
FIG. 2 is a top plan view;
FIG. 3 is a side elevational view;
FIG. 4 is another side elevational view opposite to the view shown in FIG. 3;
FIG. 5 is a bottom plan view;
FIG. 6 is an end elevational view; and,
FIG. 7 is an another elevational view opposite to the view shown in FIG. 6.

[56] References Cited

U.S. PATENT DOCUMENTS

D. 207,794 5/1967 Cherrington D10/64 X
D. 226,228 1/1973 Rusk et al. D15/136
D. 281,505 11/1985 Larsen et al. D15/136

1 Claim, 2 Drawing Sheets

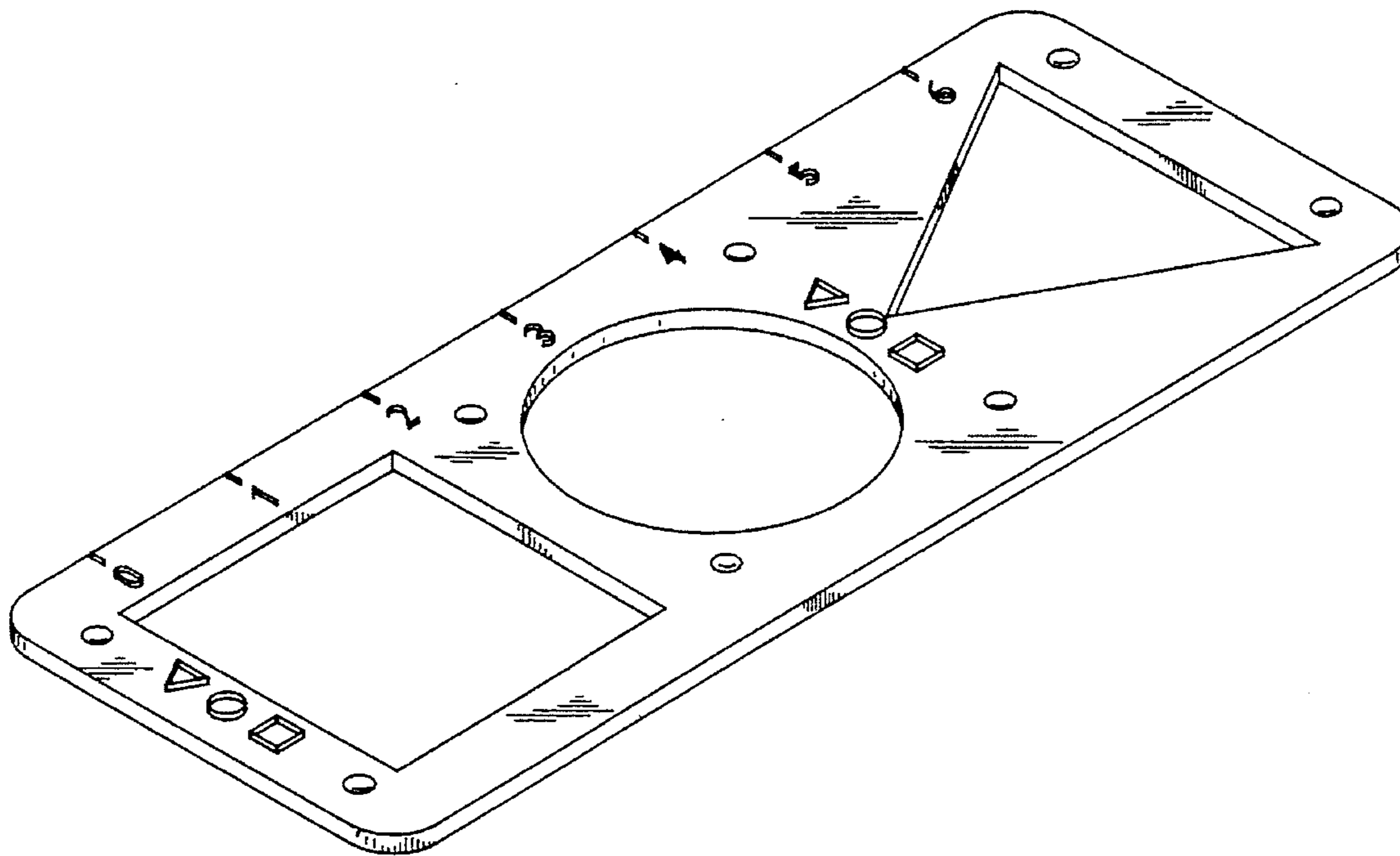


FIG. 1

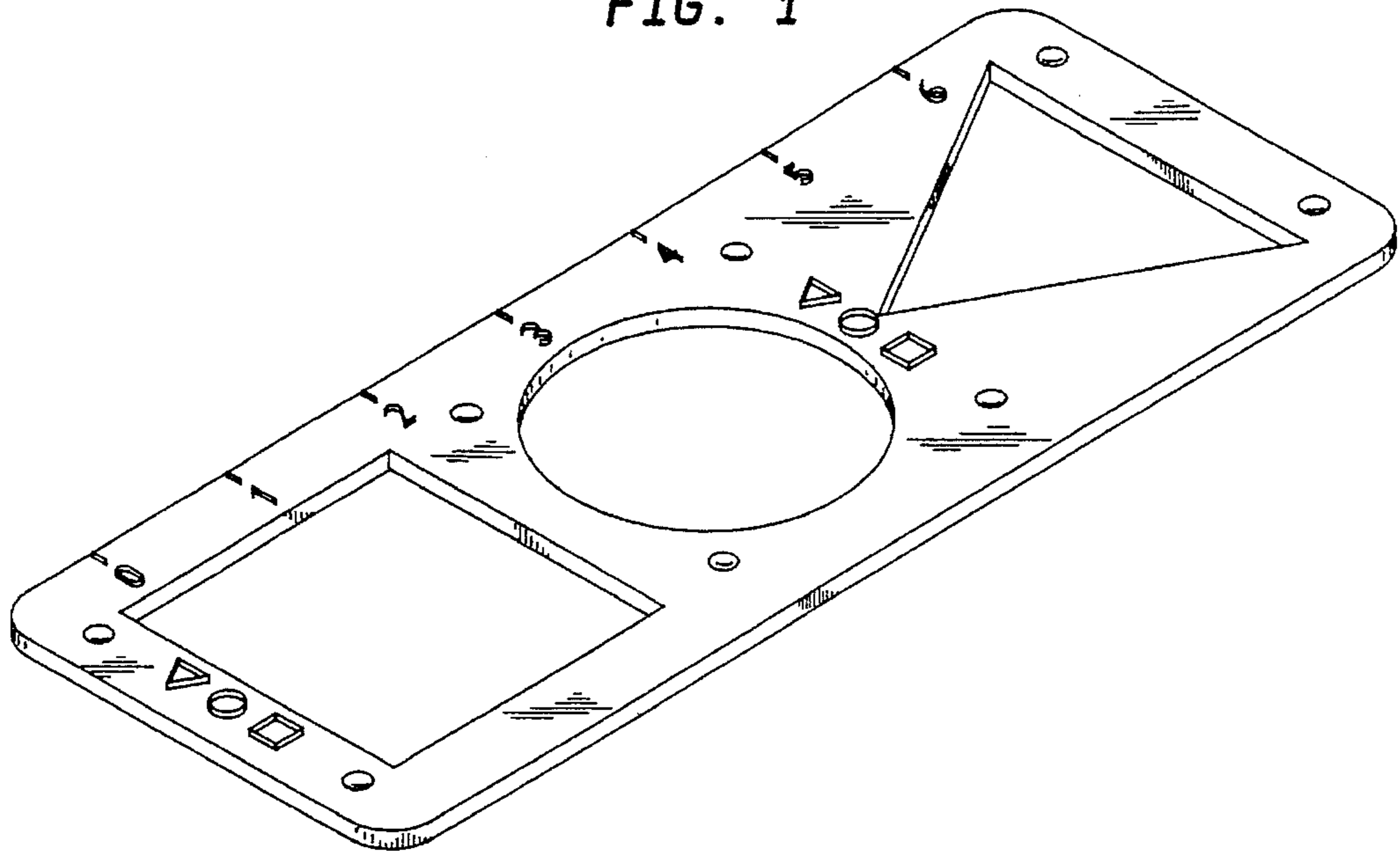


FIG. 2

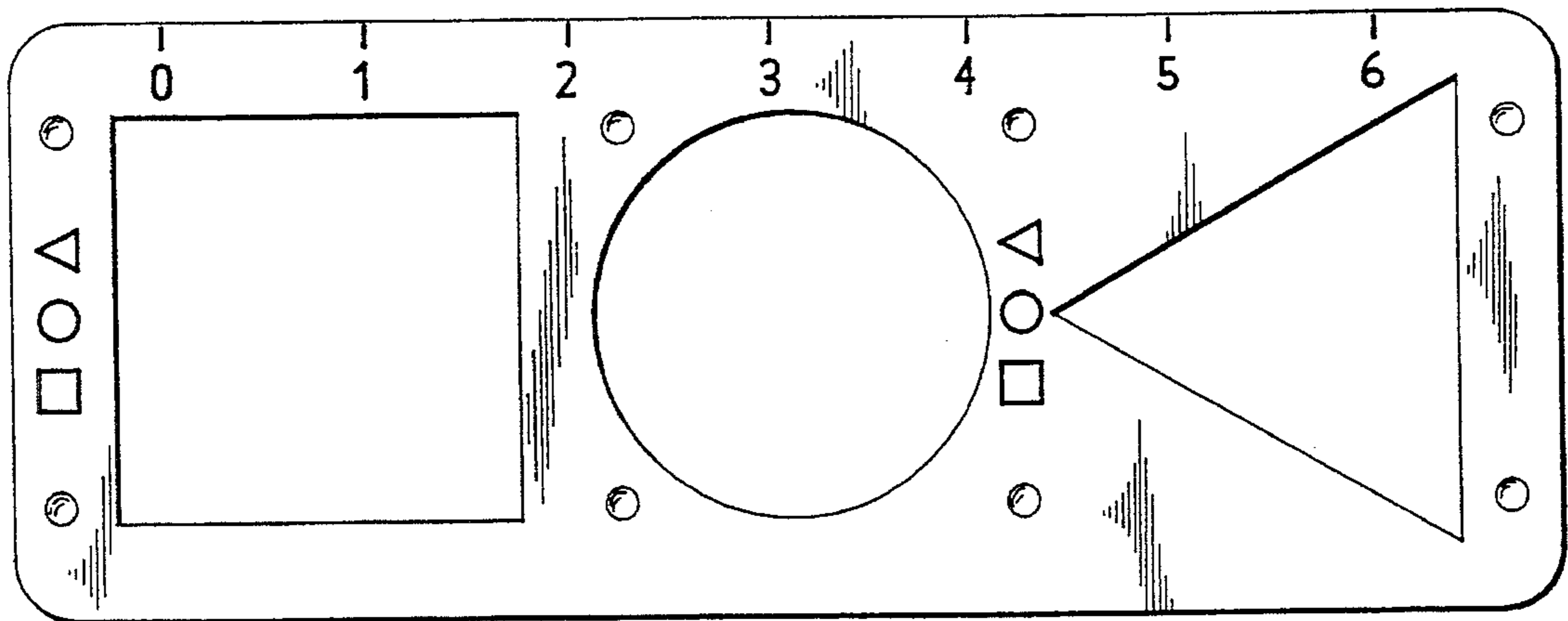


FIG. 3

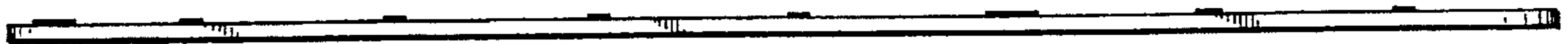


FIG. 4



FIG. 5

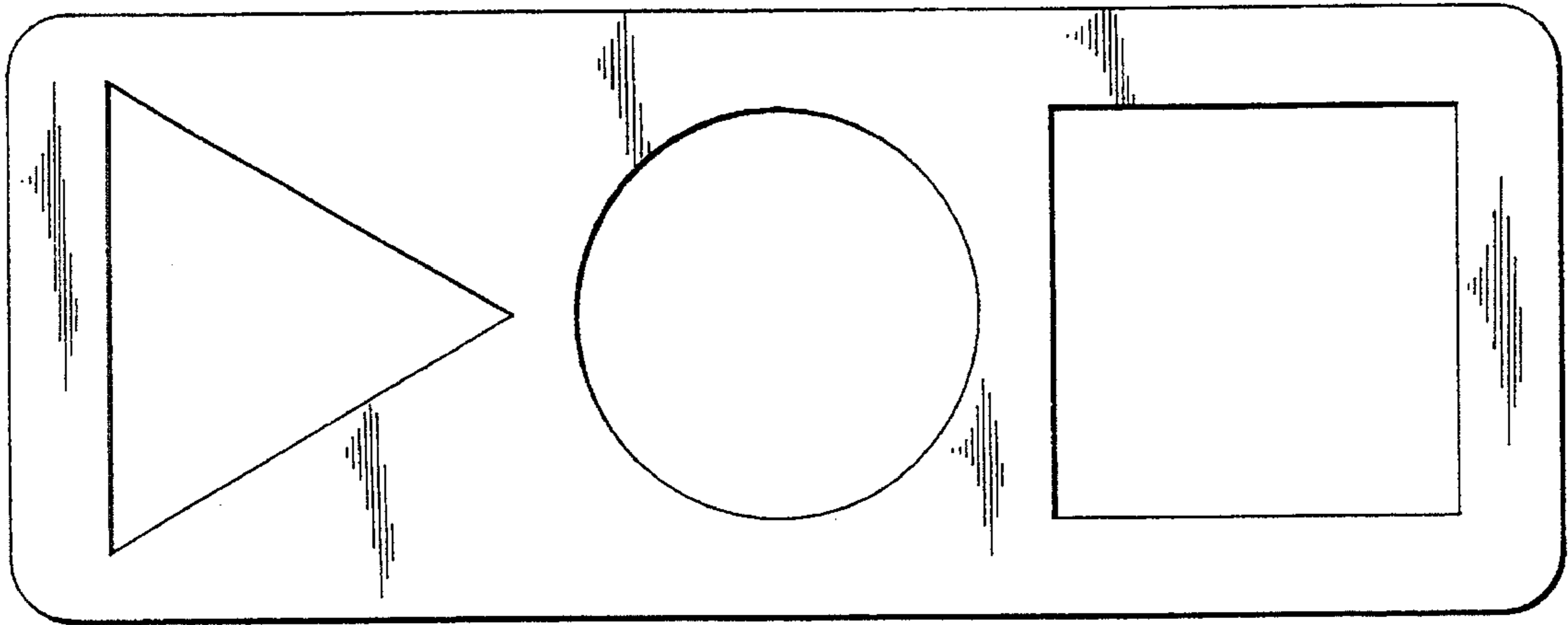


FIG. 6



FIG. 7

