



US00D378754S

United States Patent [19]

Thirumalaisamy et al.

[11] Patent Number: **Des. 378,754**

[45] Date of Patent: ****Apr. 8, 1997**

[54] **NOZZLE RING**

[75] Inventors: **Salaiyur N. Thirumalaisamy**, Newton;
Henry B. Faulkner, Dover, both of
Mass.

[73] Assignee: **Gas Research Institute**, Chicago, Ill.

[**] Term: **14 Years**

[21] Appl. No.: **34,814**

[22] Filed: **Feb. 13, 1995**

[52] U.S. Cl. **D15/5**

[58] Field of Search **D23/213; D15/5;**
415/208.1, 208.2, 208.4, 199.6

[56] **References Cited**

U.S. PATENT DOCUMENTS

D. 26,774 3/1897 Bookwalter D15/5

D. 355,253 2/1995 Jansen et al. D15/5 X
2,701,682 2/1955 Dallenbach et al. 415/208.2 X
3,156,970 11/1964 Zojac 415/208.1 X
5,387,081 2/1995 LeBlanc 415/208.1

Primary Examiner—Louis S. Zarfes
Assistant Examiner—Frank Martinez
Attorney, Agent, or Firm—Speckman, Pauley & Fejer

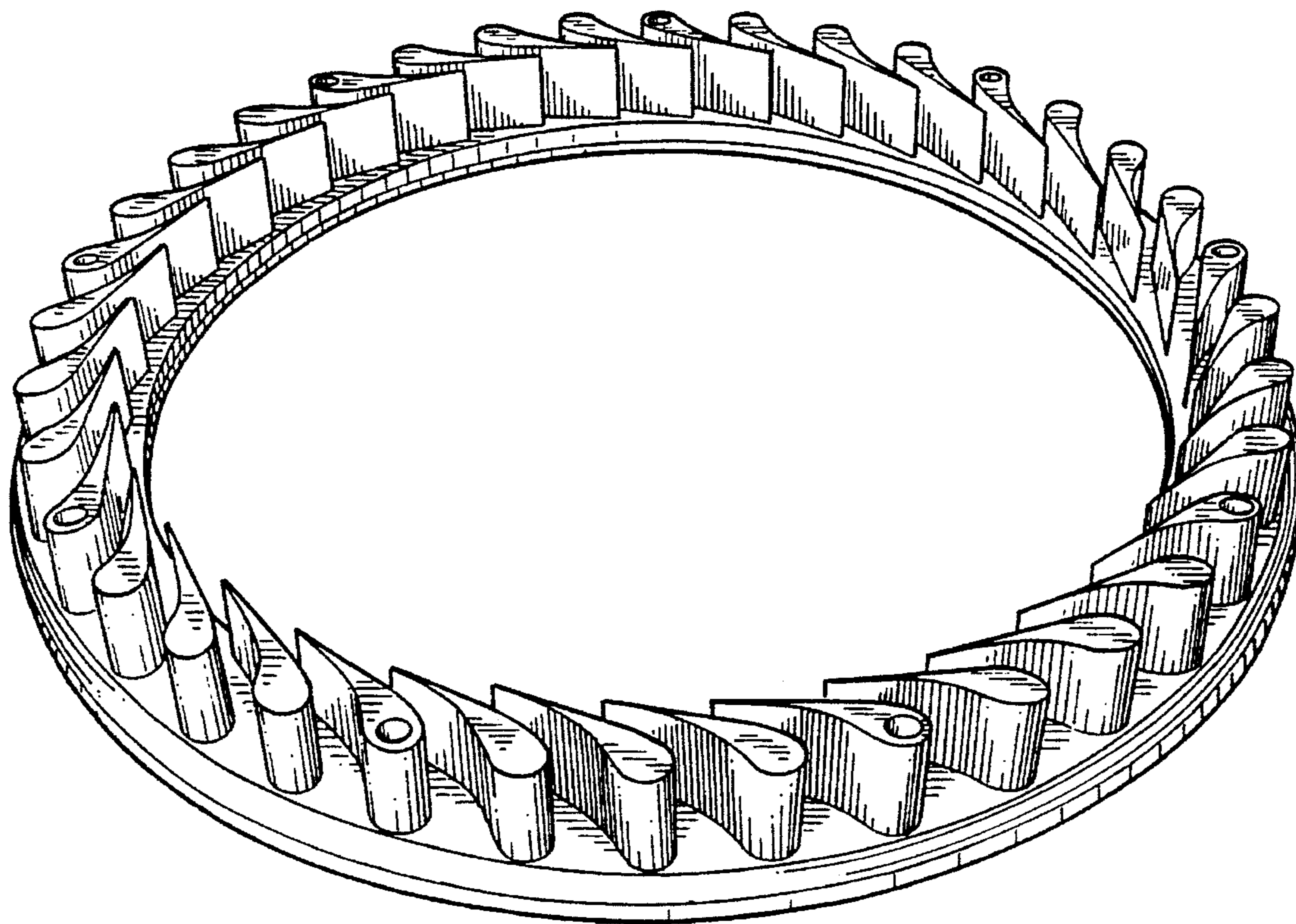
[57] CLAIM

The ornamental design for a nozzle ring, as shown and described.

DESCRIPTION

FIG. 1 is a front perspective view of a nozzle ring, according to one preferred embodiment of this invention; FIG. 2 is a front view of the nozzle ring shown in FIG. 1; FIG. 3 is a side view of the nozzle ring shown in FIG. 1; and, FIG. 4 is a rear view of the nozzle ring shown in FIG. 1.

1 Claim, 4 Drawing Sheets



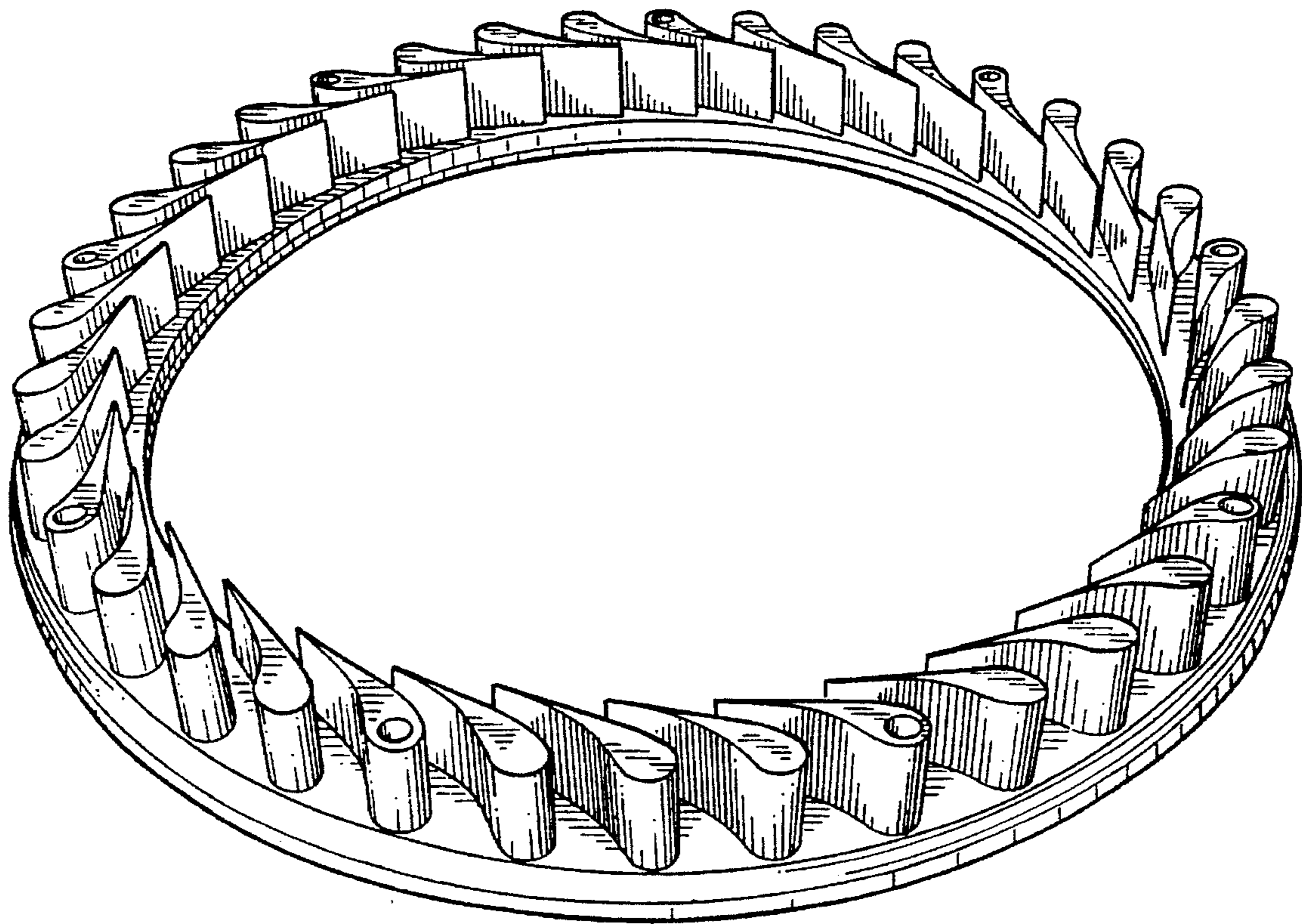


FIG. 1



FIG. 2

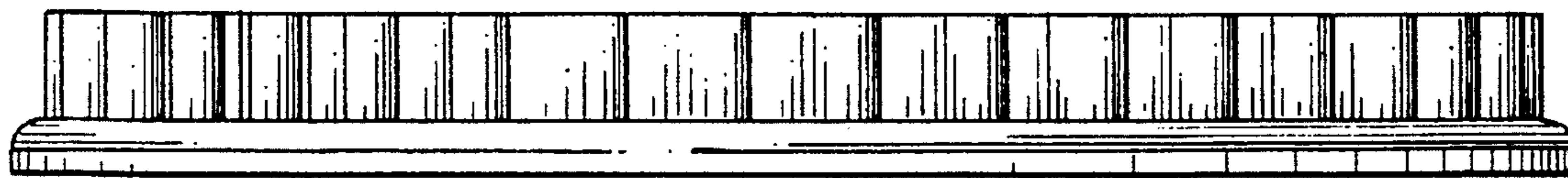


FIG. 3

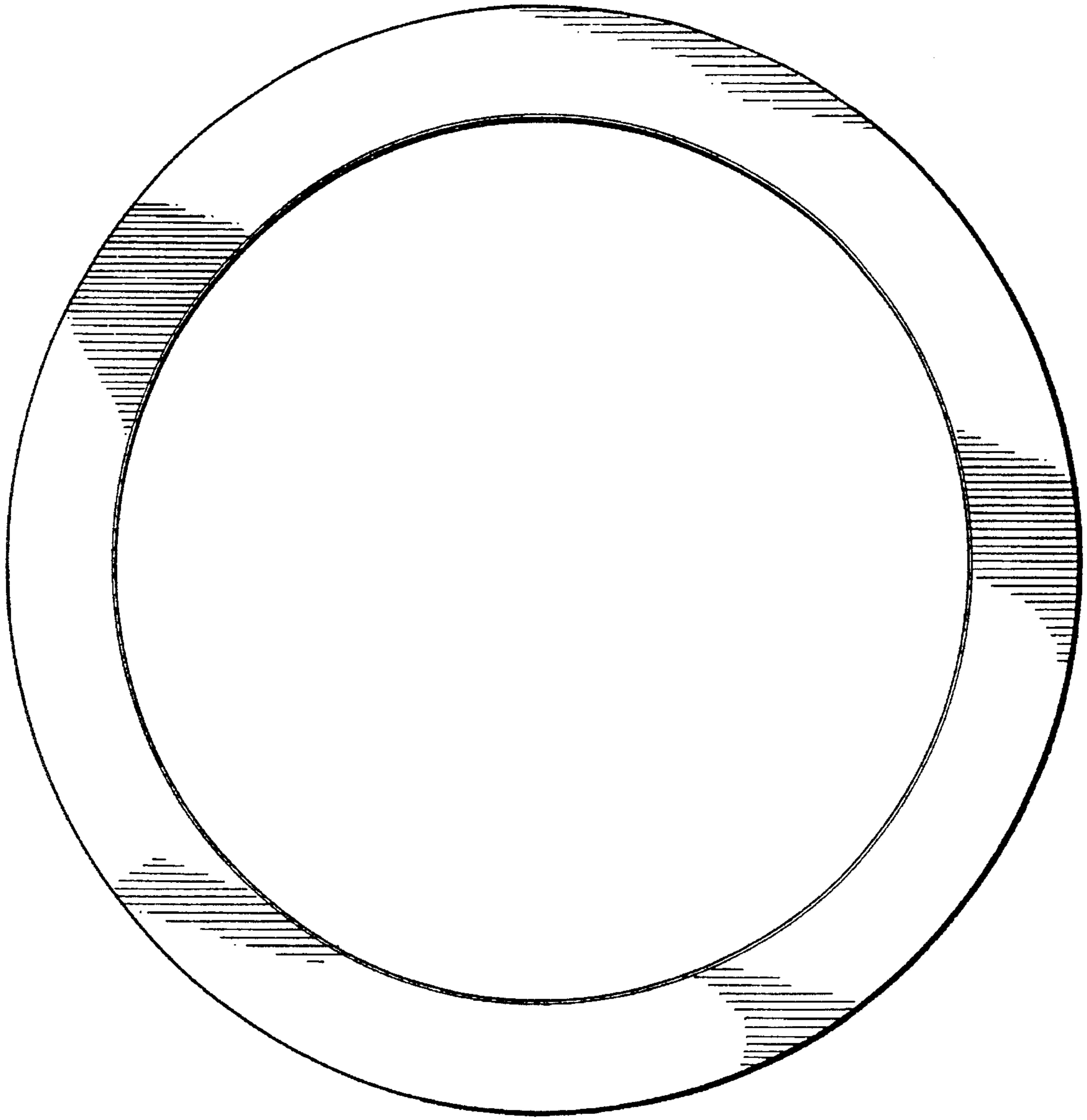


FIG. 4