



US00D378752S

United States Patent [19]
Asanuma

[11] **Patent Number: Des. 378,752**

[45] **Date of Patent: **Apr. 8, 1997**

[54] **TELEVISION RECEIVER**

924037 5/1995 Japan .
924085 5/1995 Japan .

[75] Inventor: **Toshikazu Asanuma**, Osaka, Japan

OTHER PUBLICATIONS

[73] Assignee: **Matsushita Electric Industrial Co., Ltd.**, Osaka, Japan

HFD, May 1989 p. 104.
Form 123, 1988, p. 49.

[**] Term: **14 Years**

Primary Examiner—Prabhakar G. Deshmukh
Attorney, Agent, or Firm—Sughrue, Mion, Zinn, Macpeak & Seas

[21] Appl. No.: **48,084**

[22] Filed: **Dec. 19, 1995**

[57] **CLAIM**

[30] **Foreign Application Priority Data**

The ornamental design for a television receiver, as shown and described.

Jun. 21, 1995 [JP] Japan 7-17921

[52] **U.S. Cl.** **D14/126**

[58] **Field of Search** D14/113, 124-134;
348/790-794, 836, 838, 825, 808; 312/72

DESCRIPTION

[56] **References Cited**

FIG. 1 is a perspective view of the top, front and right side of a television receiver showing my new design;
FIG. 2 is a front elevational view thereof;
FIG. 3 is a right side elevational view thereof;
FIG. 4 is a left side elevational view thereof;
FIG. 5 is a top plan view thereof;
FIG. 6 is a bottom plan view thereof;
FIG. 7 is a rear elevational view thereof; and,
FIG. 8 is a perspective view similar to FIG. 1 with a controls cover in the open position.

U.S. PATENT DOCUMENTS

- D. 317,603 6/1991 Kawanabe D14/133
- D. 323,824 2/1992 Kawanabe et al. D14/126
- D. 342,496 12/1993 Higashibata et al. D14/126
- D. 349,698 8/1994 Kim D14/126
- D. 359,731 6/1995 Higashibata et al. D14/126
- D. 362,849 10/1995 Higashibata et al. D14/126
- 4,716,493 12/1987 Zelkowitz 348/825 X

FOREIGN PATENT DOCUMENTS

918599 2/1995 Japan .

1 Claim, 4 Drawing Sheets

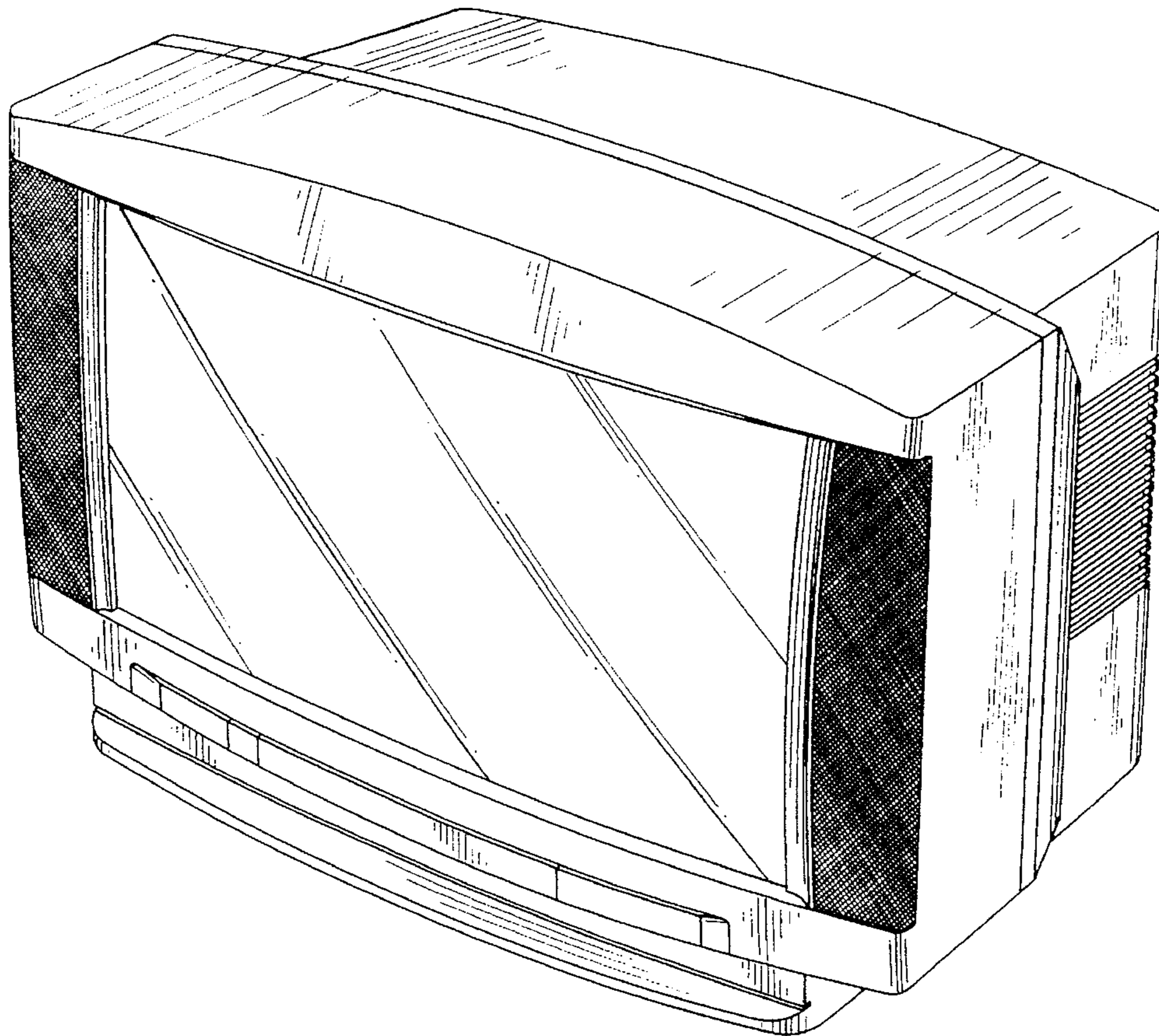


FIG. 1

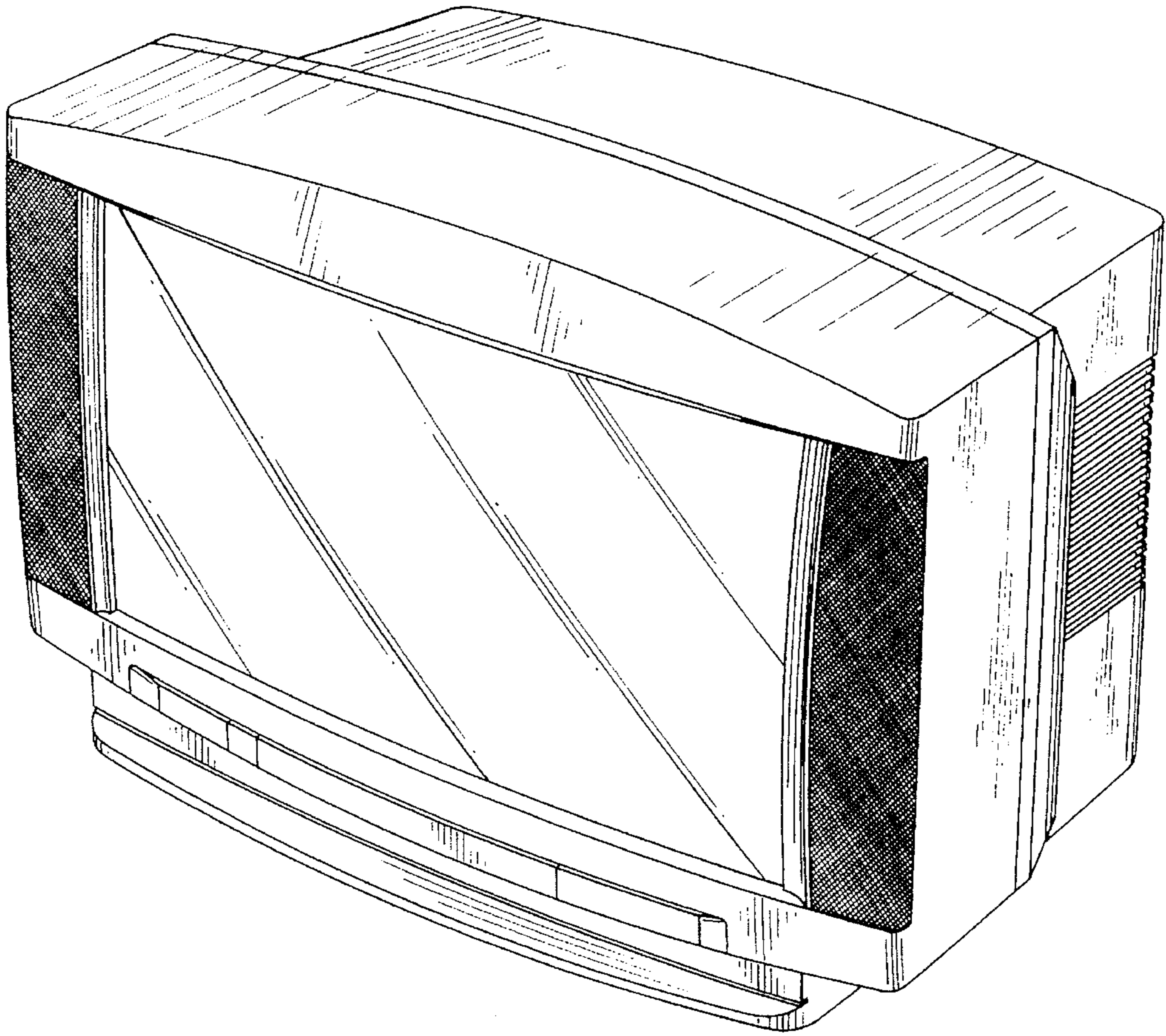


FIG. 2

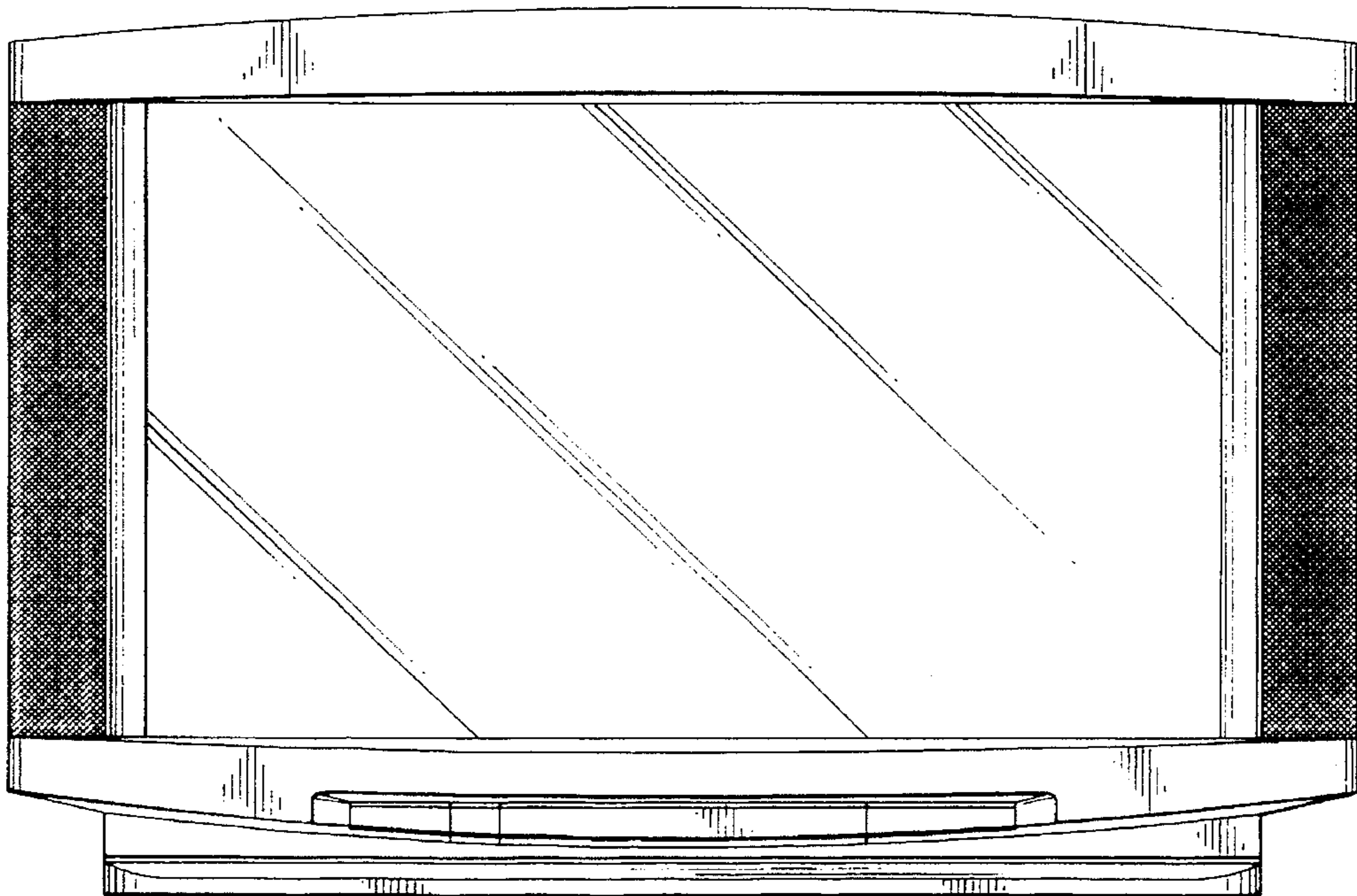


FIG. 3

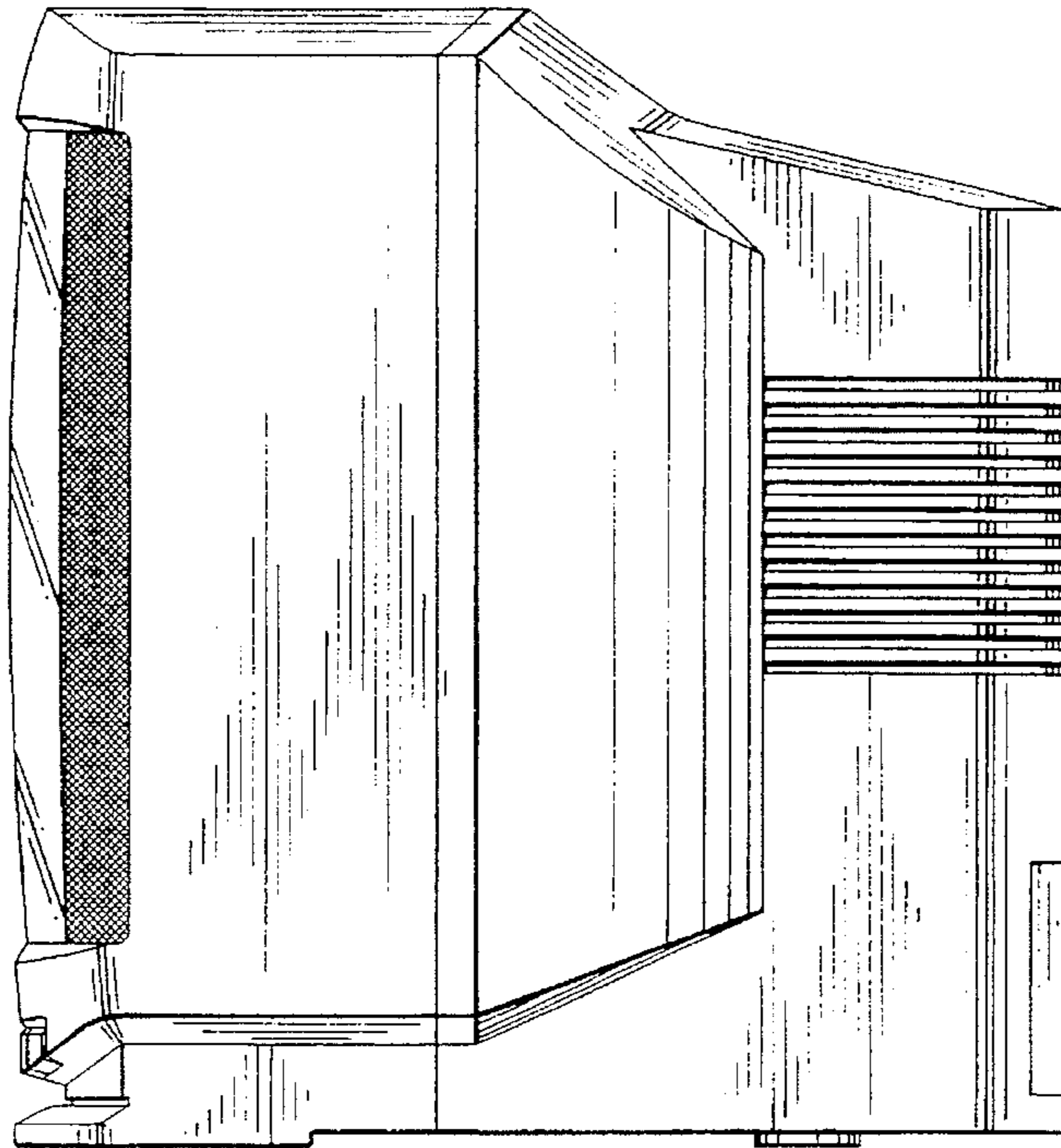


FIG. 4

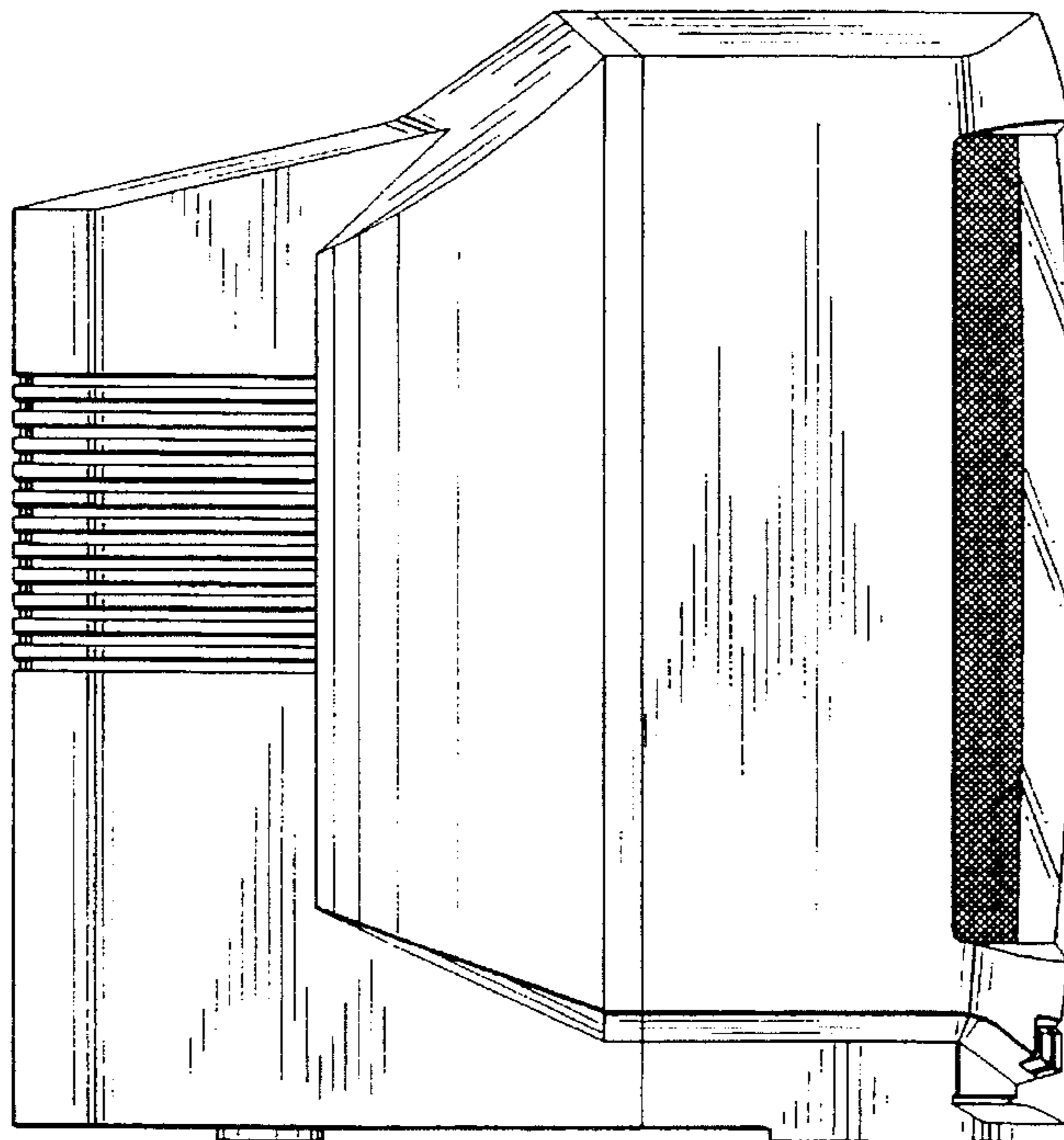


FIG. 5

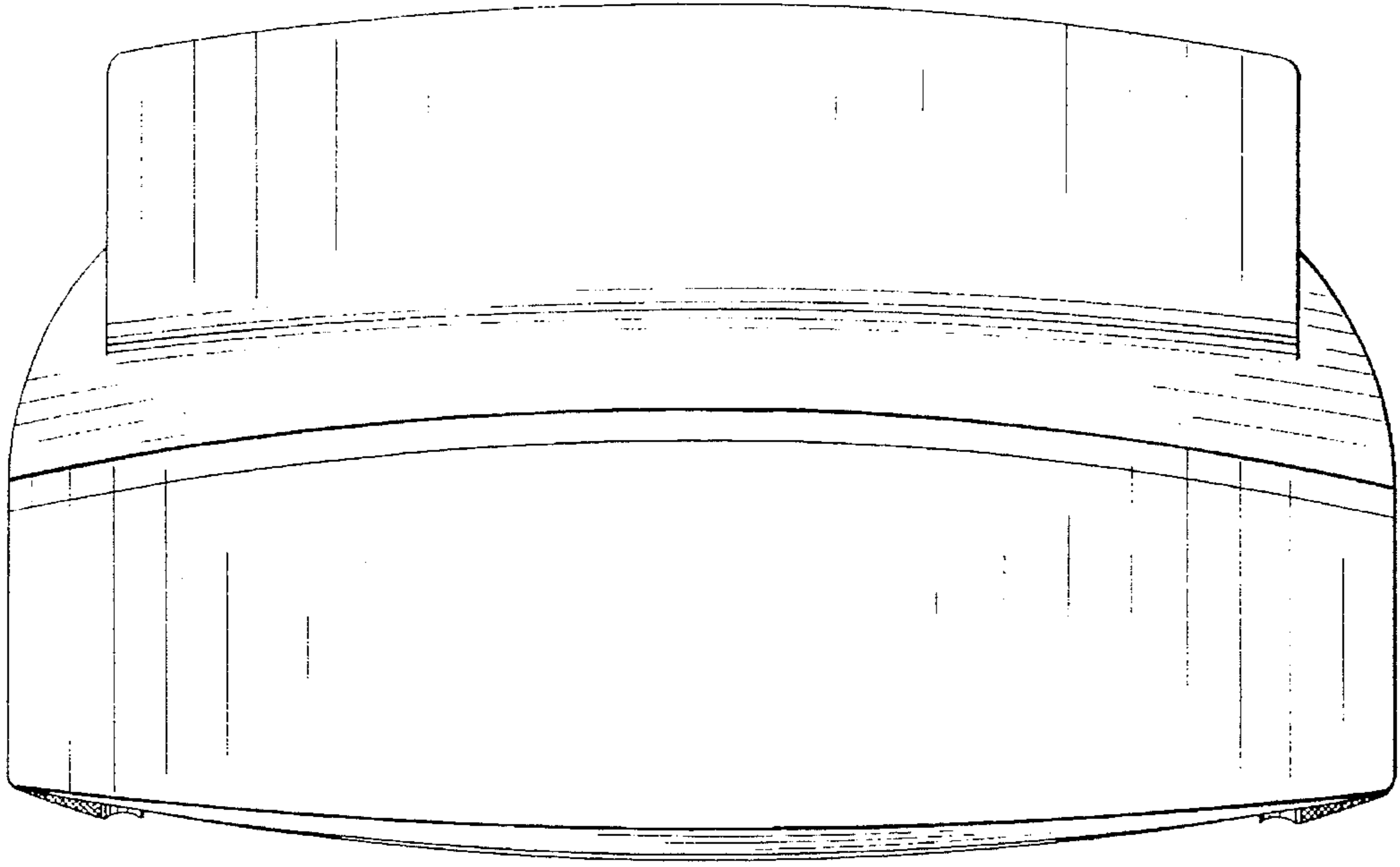


FIG. 6

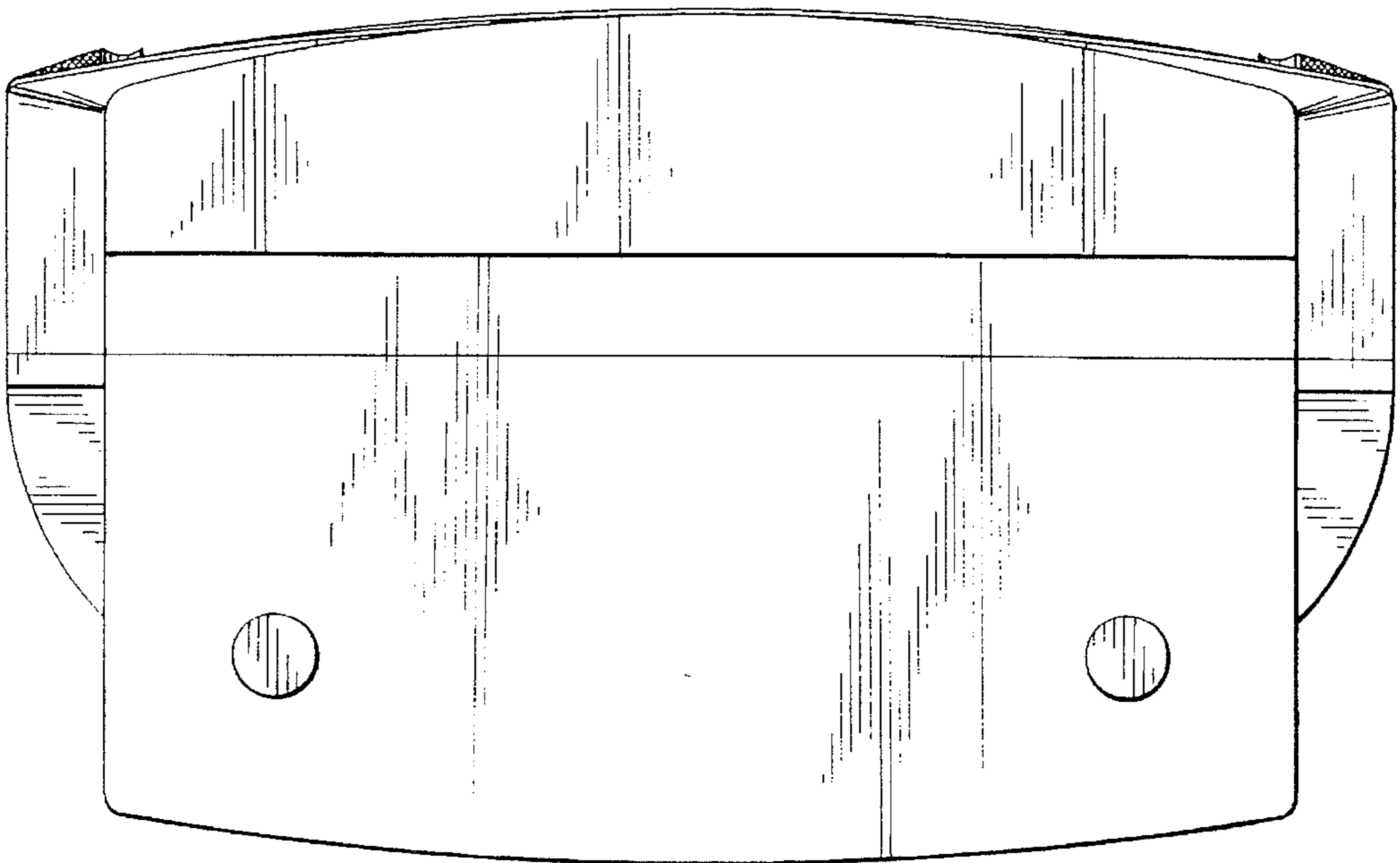


FIG. 7

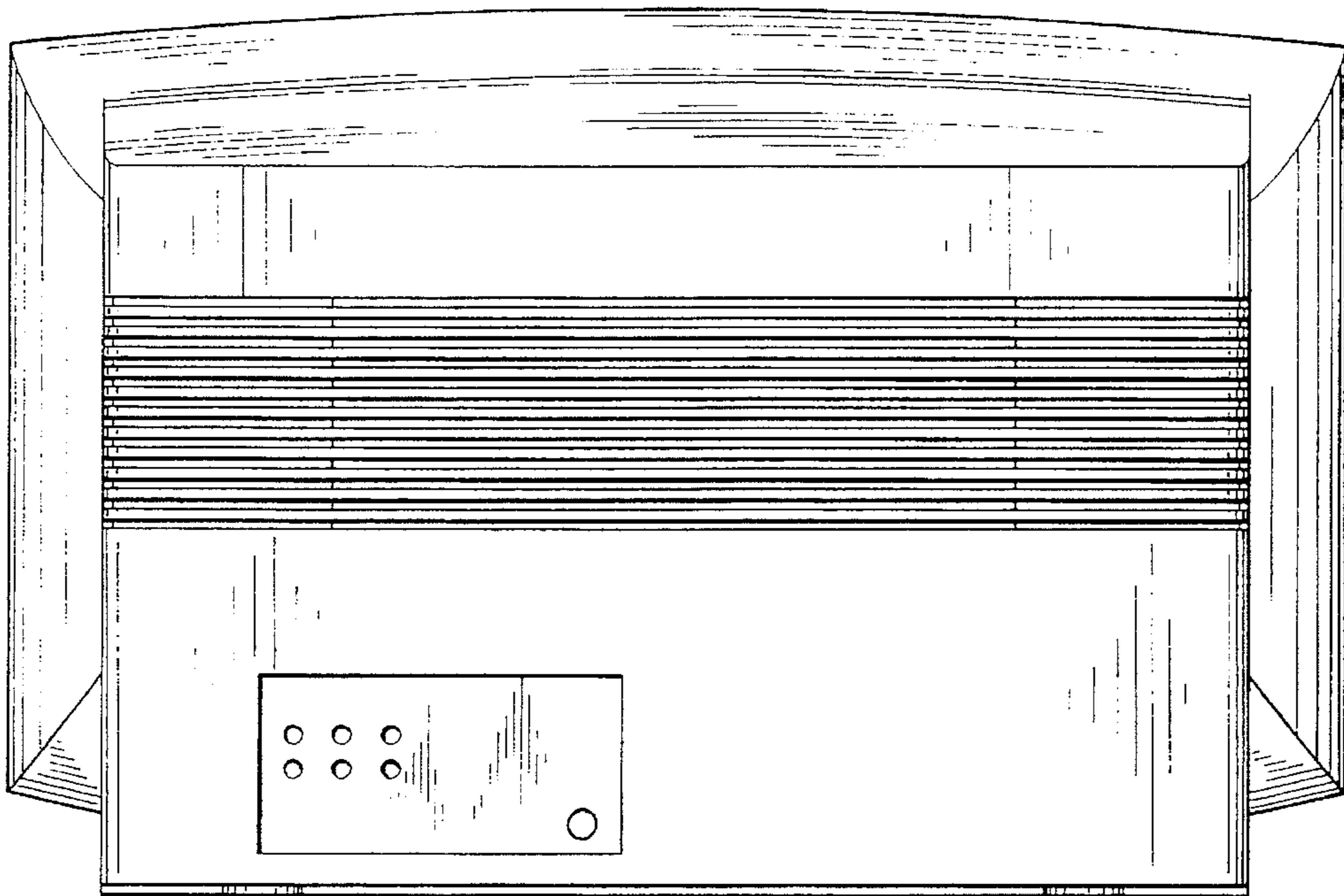


FIG. 8

