



US00D378746S

United States Patent [19]

Imahori

[11] Patent Number: **Des. 378,746**

[45] Date of Patent: *****Apr. 8, 1997**

[54] **AUDIBLE SIGNAL FOR ALARM UNITS**

[75] Inventor: **Yoshio Imahori, Shizuoka, Japan**

[73] Assignee: **Star Micronics Co., Ltd.,
Shizuoka-ken, Japan**

[*] Notice: The portion of the term of this patent subsequent to Sep. 10, 2010, has been disclaimed.

[**] Term: **14 Years**

[21] Appl. No.: **35,994**

[22] Filed: **Mar. 10, 1995**

[30] **Foreign Application Priority Data**

Sep. 24, 1994 [JP] Japan 6-28829

[52] **U.S. Cl.** **D10/116**

[58] **Field of Search** D10/104, 106,
D10/116, 117, 118, 121; D13/152, 156;
340/384.1, 384.3, 384.7, 388.1, 390.1, 391.1,
392.1, 392.2, 392.4

[56] **References Cited**

U.S. PATENT DOCUMENTS

D. 350,705 10/1994 Sone D10/116

2,984,832	5/1961	Gilman, III et al.	340/392
3,251,056	5/1966	Doggart	340/392
4,075,626	2/1978	Sakaguchi et al.	340/392
4,115,770	9/1978	Kanazawa	340/392
4,366,472	12/1982	Ishii	340/392

Primary Examiner—Marcus A. Jackson

Attorney, Agent, or Firm—Pollock, Vande Sande & Priddy

[57] **CLAIM**

The ornamental design for an audible signal for alarm units, as shown and described.

DESCRIPTION

FIG. 1 is a perspective view of an audible signal for alarm units showing my new design;

FIG. 2 is a front elevational view thereof;

FIG. 3 is a rear elevational view thereof;

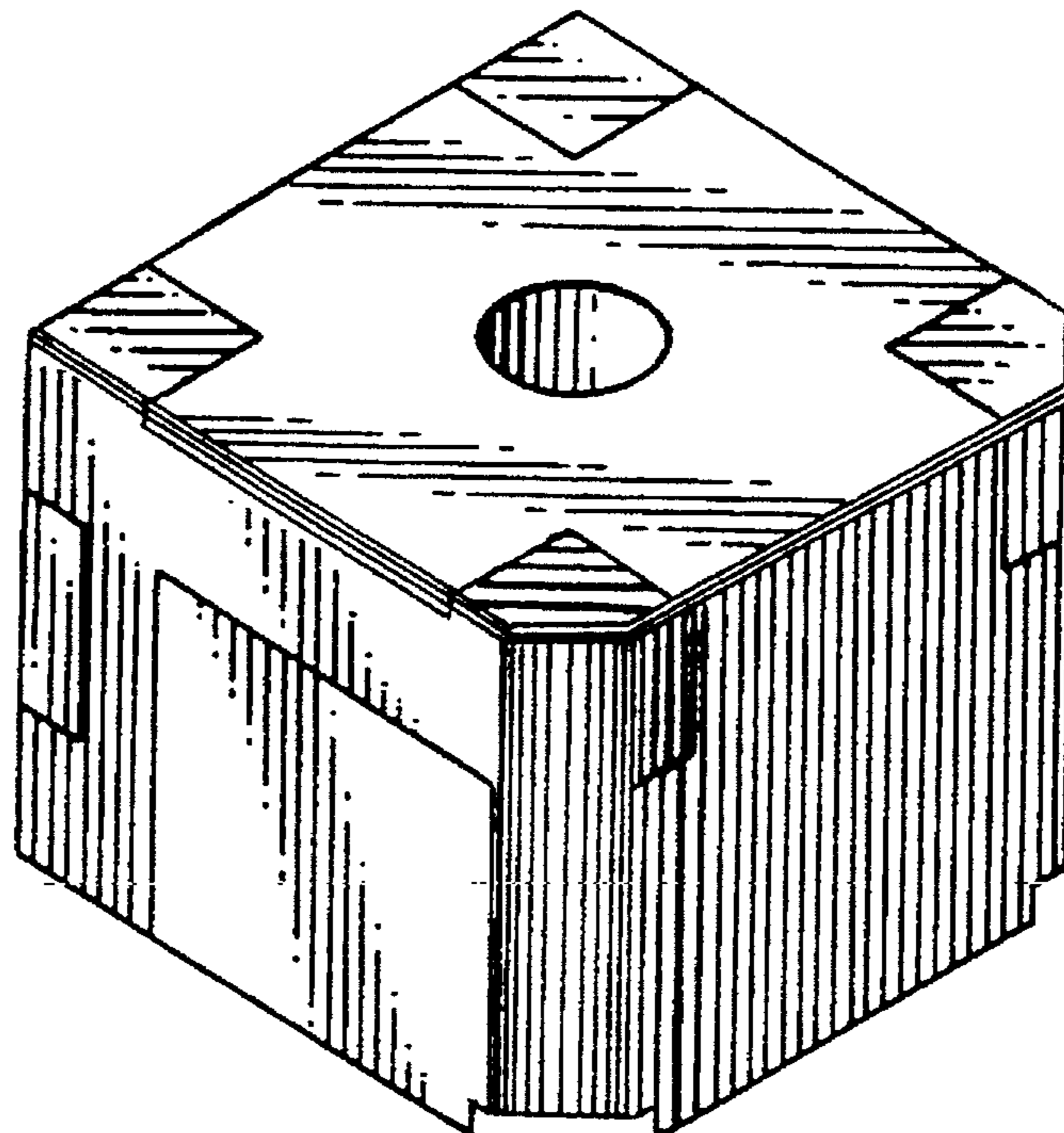
FIG. 4 is a top plan view thereof;

FIG. 5 is a bottom plan view thereof;

FIG. 6 is a left side elevational view thereof (of which a right side elevational view would be a mirror image); and,

FIG. 7 is a cross-sectional view thereof taken on line 7—7 of FIG. 2, an internal mechanism of which is not shown.

1 Claim, 4 Drawing Sheets



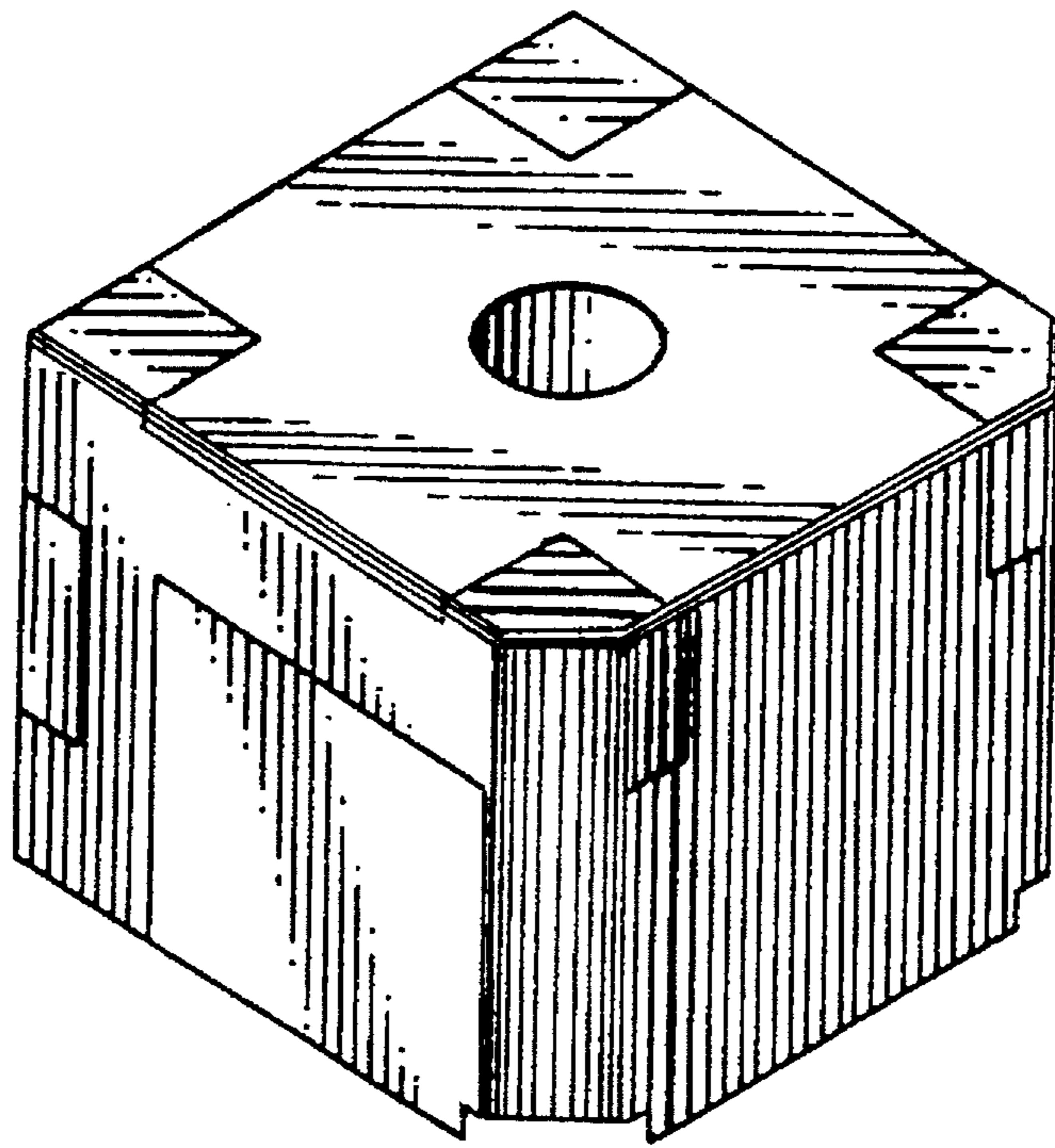


FIG. 1

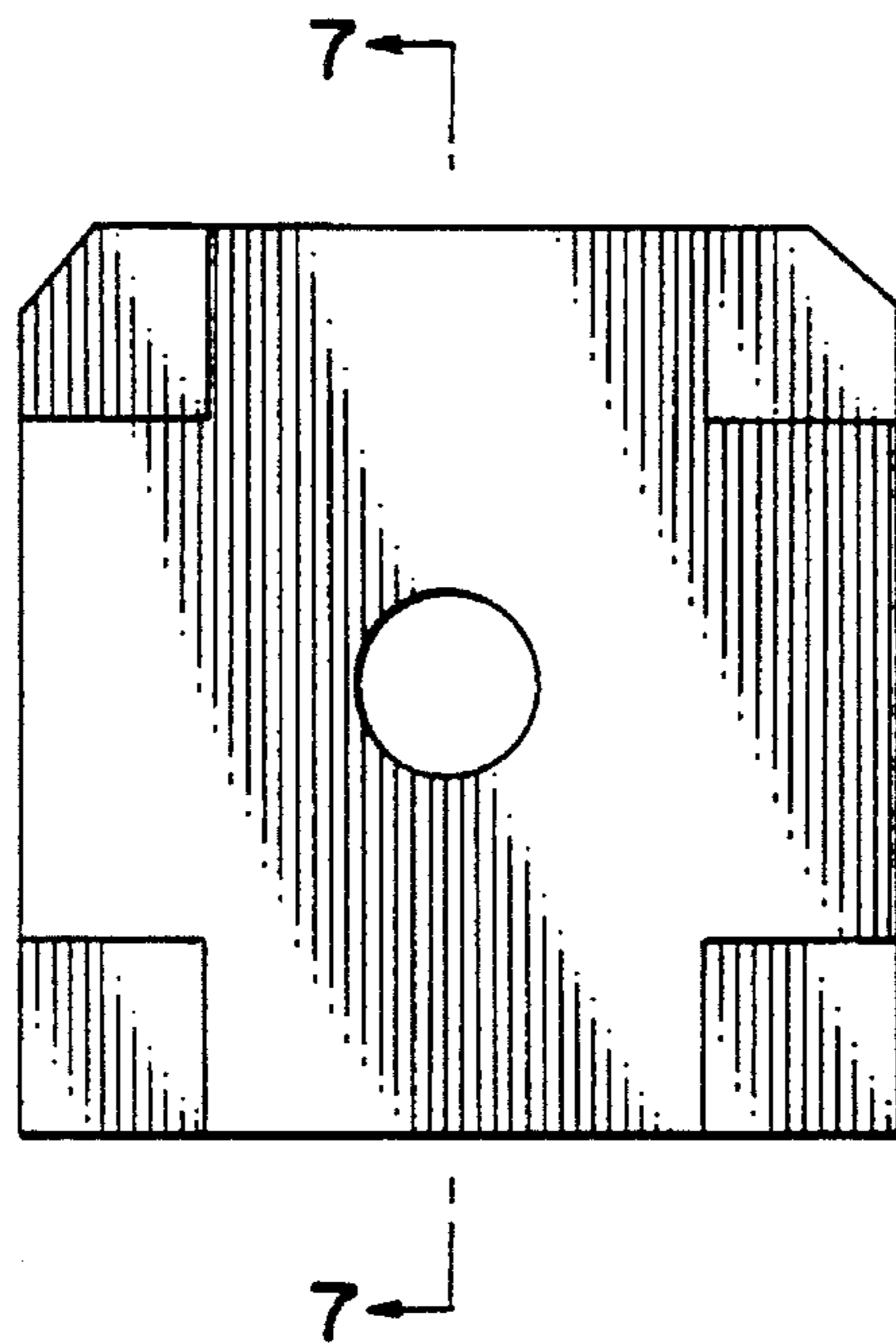


FIG. 2

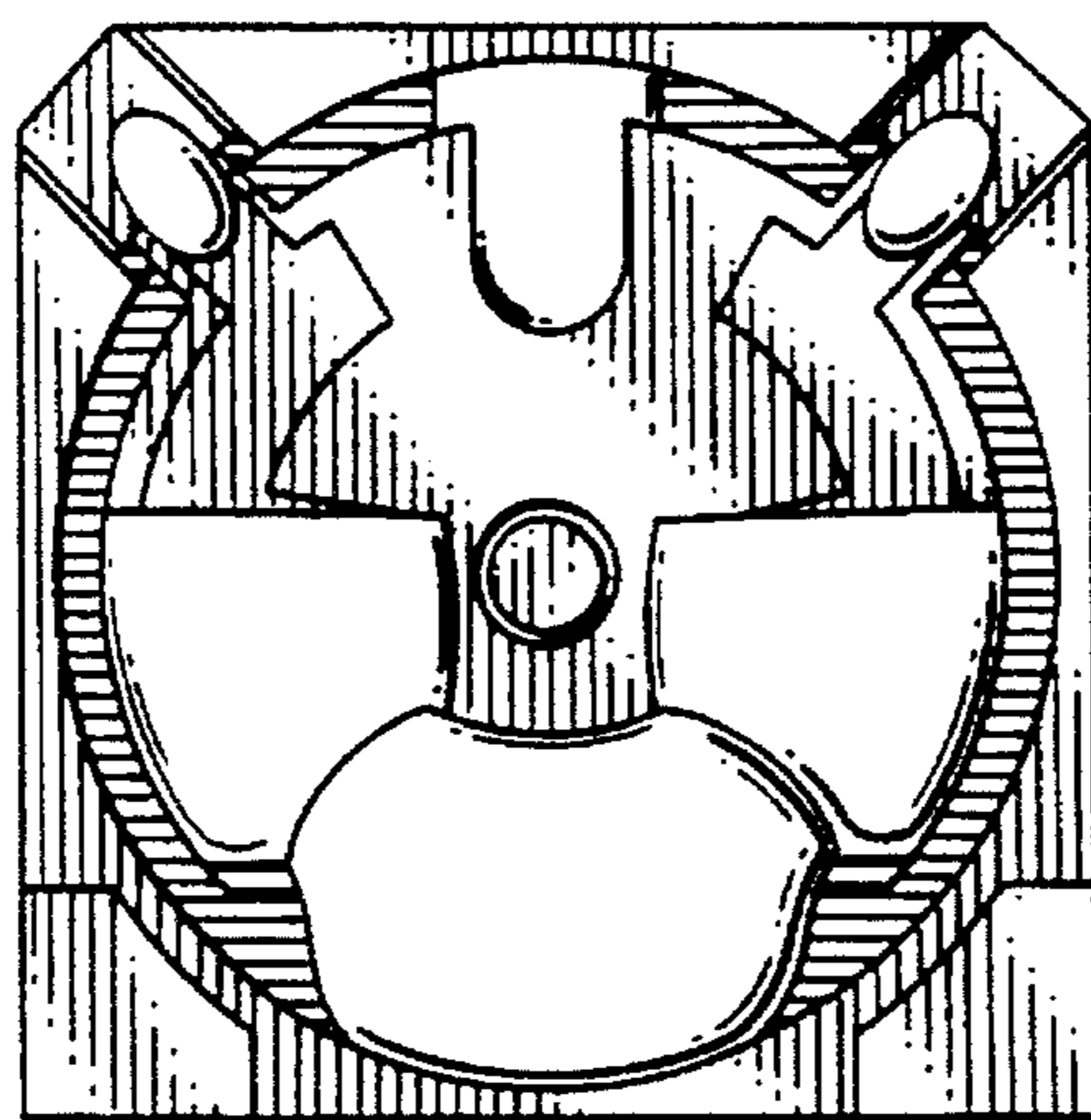


FIG. 3

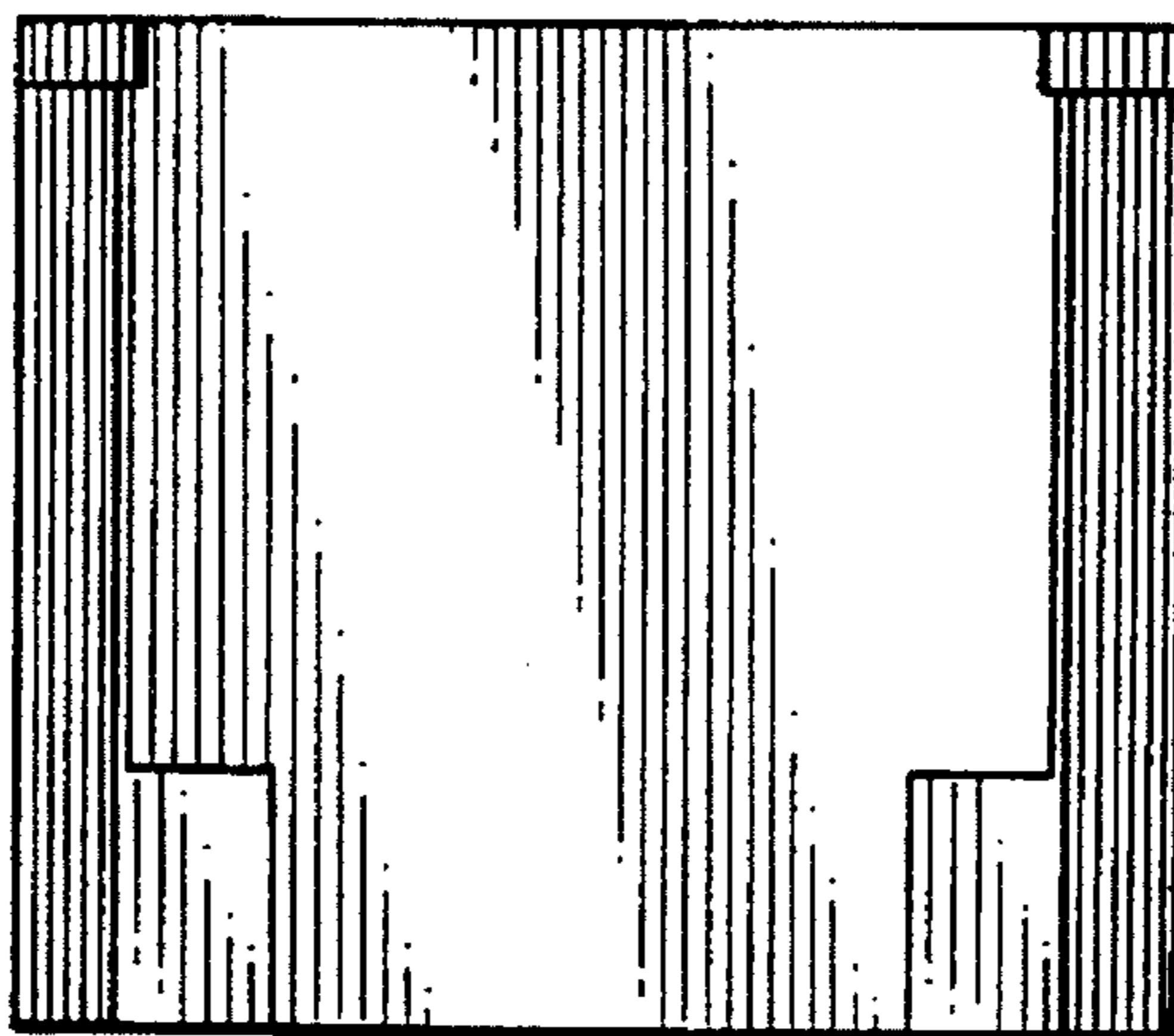


FIG. 4

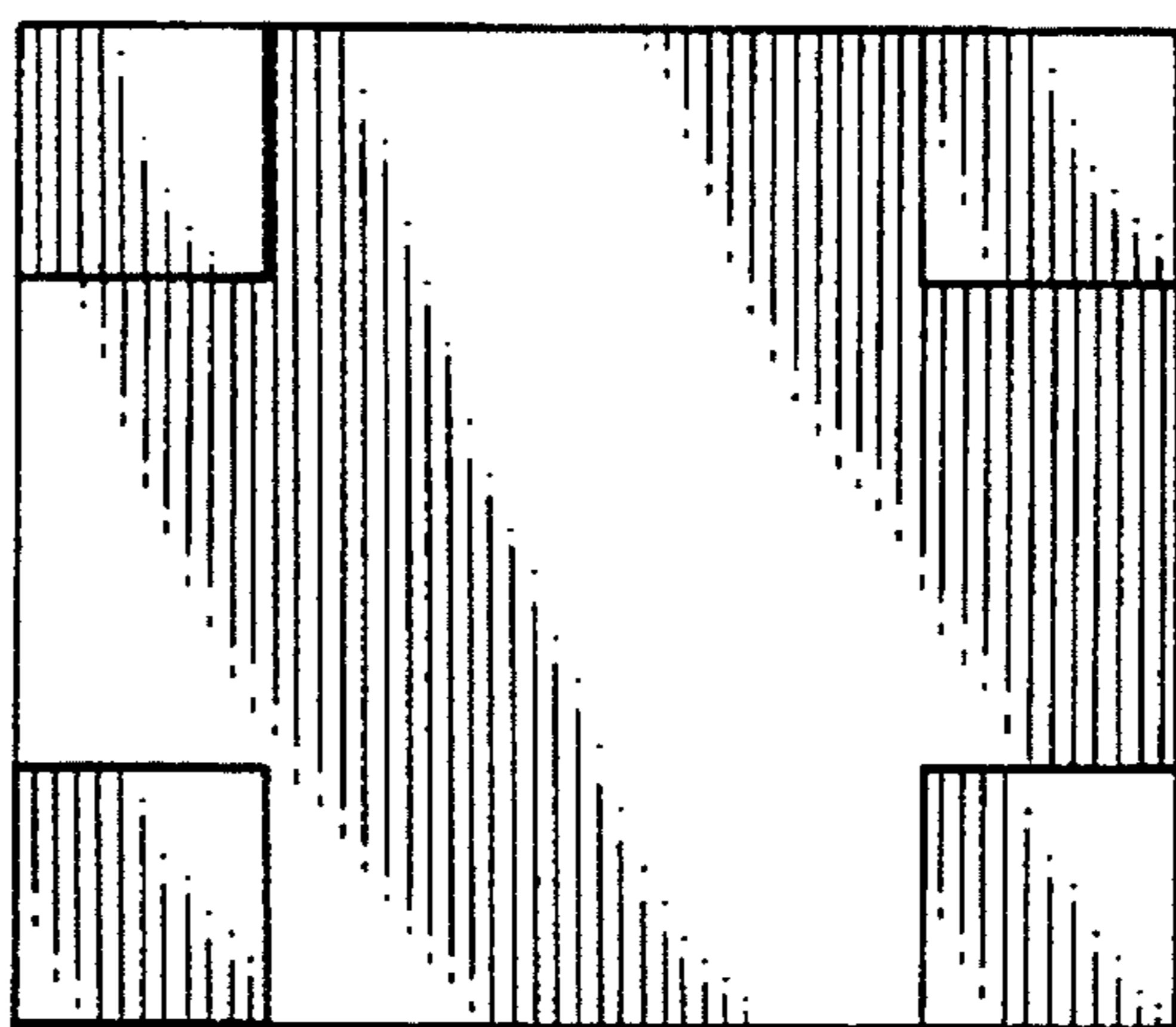


FIG. 5

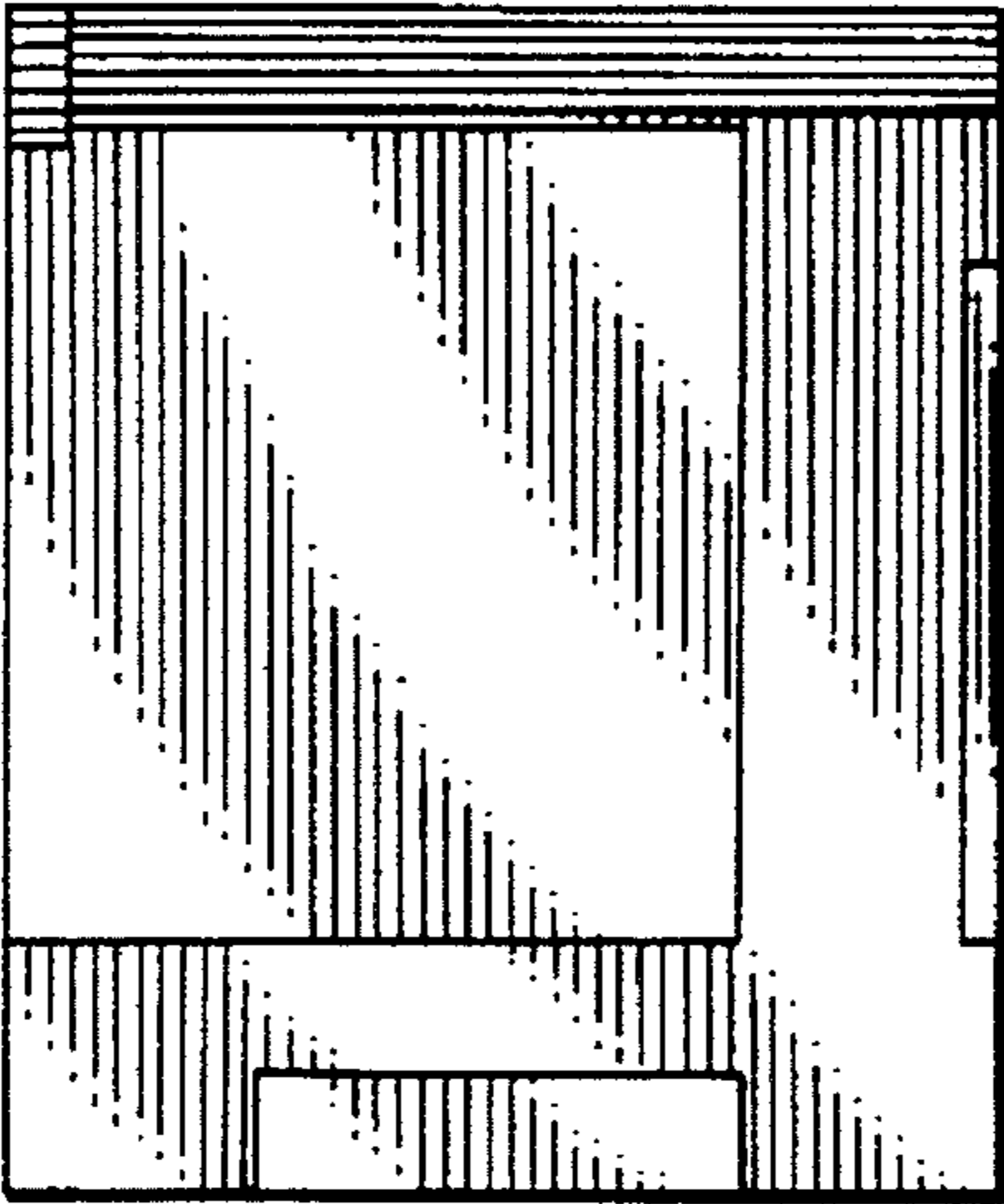


FIG. 6

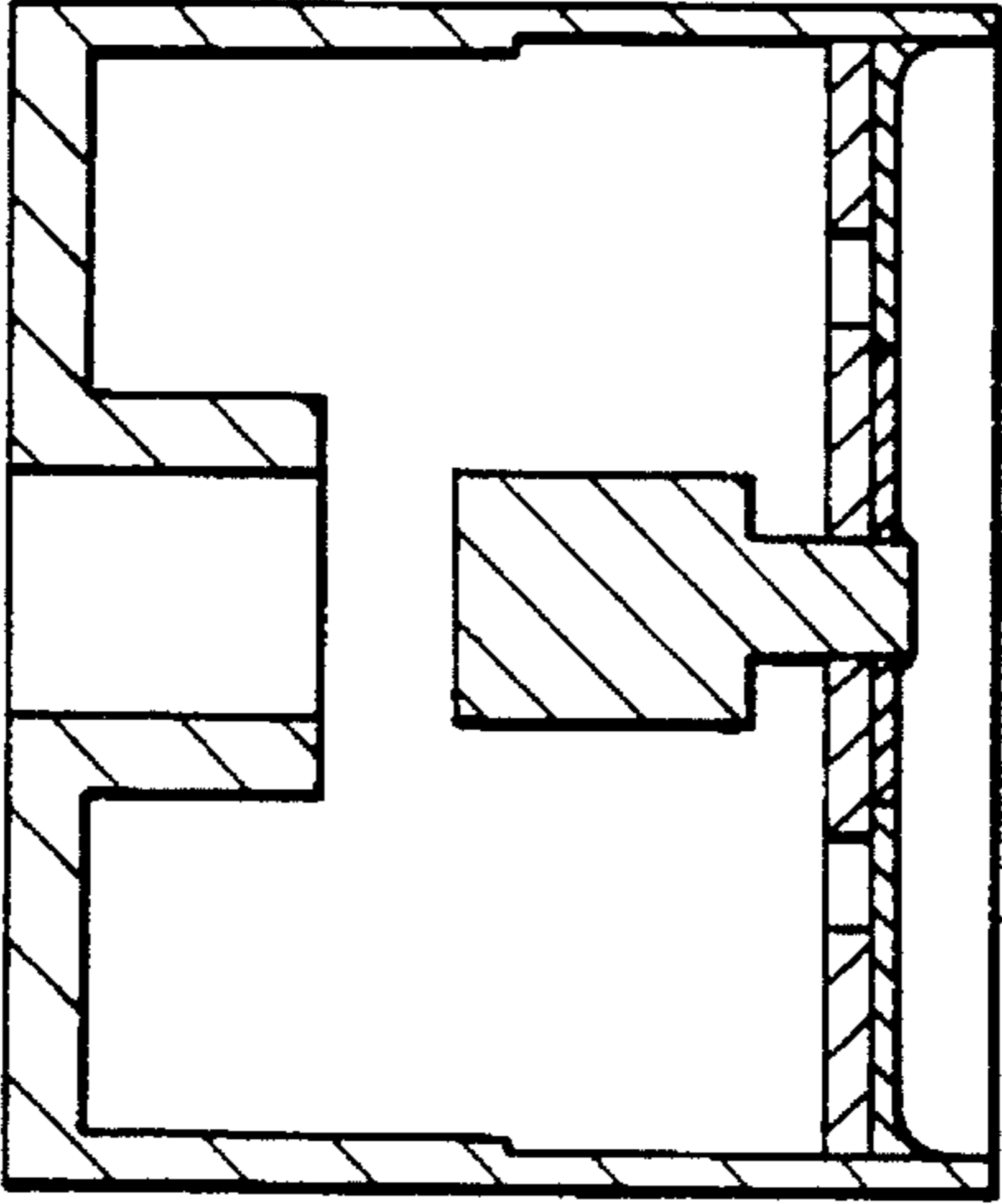


FIG. 7