



US00D378744S

United States Patent [19]

Abrahamson et al.

[11] Patent Number: **Des. 378,744**

[45] Date of Patent: ****Apr. 8, 1997**

[54] **RESTRICTION INDICATOR**

[75] Inventors: **Kathleen A. Abrahamson**, Prior Lake;
Thomas A. Boeckemann, Lakeville;
James Efstrand, Moundsview, all of
Minn.

[73] Assignee: **Donaldson Company, Inc.**,
Minneapolis, Minn.

[**] Term: **14 Years**

[21] Appl. No.: **48,653**

[22] Filed: **Jan. 11, 1996**

[52] U.S. Cl. **D10/96; D23/386**

[58] Field of Search **D10/96; D23/365,**
D23/386; 55/274, 275, 276, 502; 73/38,
709; 116/264-272, DIG. 25, DIG. 34; 210/90;
340/607

[56] **References Cited**

U.S. PATENT DOCUMENTS

3,939,457 2/1976 Nelson 340/607

4,020,783	5/1977	Anderson et al.	116/114 PV
4,031,847	6/1977	Sullivan	116/65
4,254,731	3/1981	Taylor	116/268
4,445,456	5/1984	Nelson	116/268

Primary Examiner—Antoine Duval Davis
Attorney, Agent, or Firm—Merchant, Gould, Smith, Welter,
Edell & Schmidt

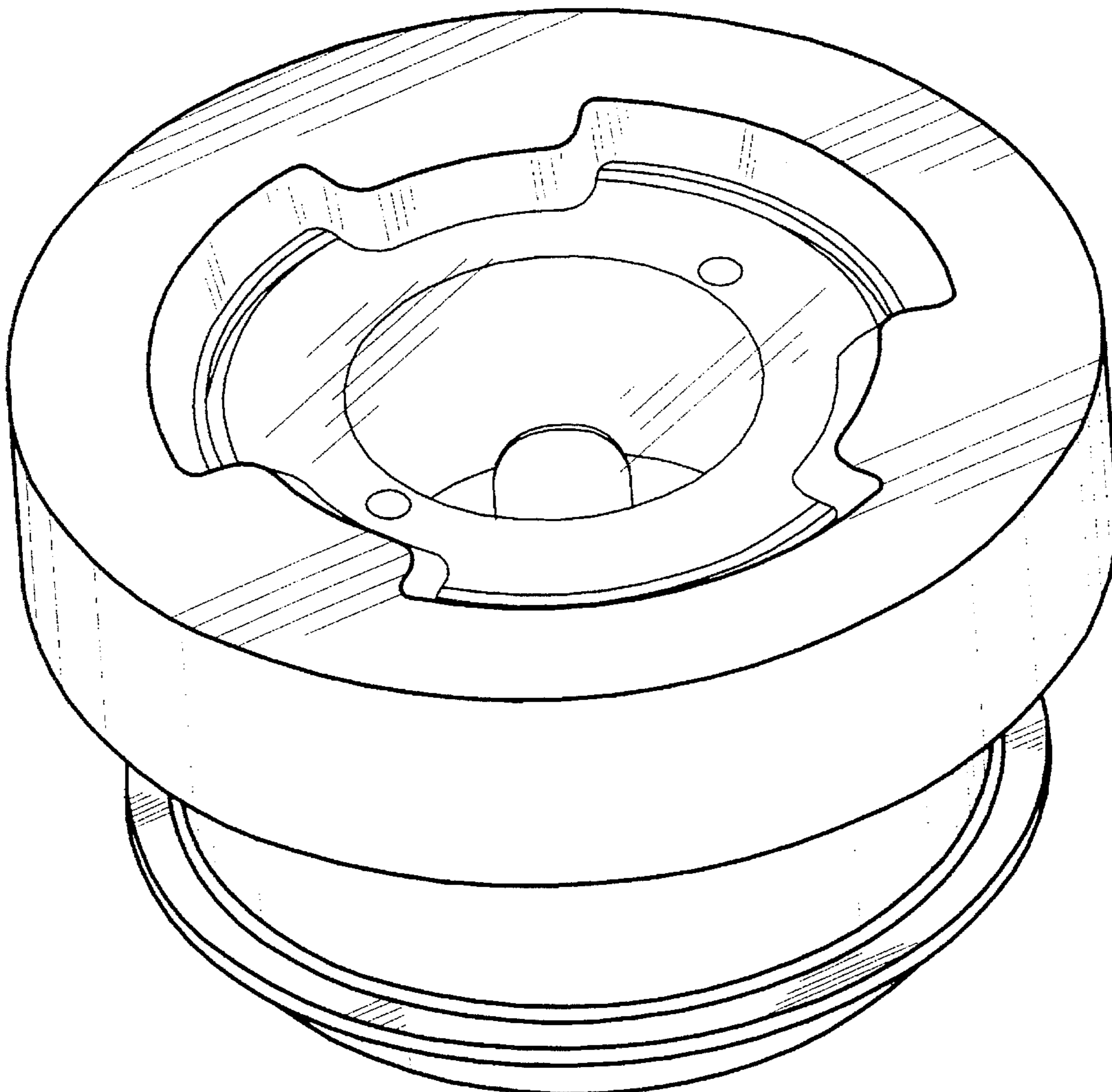
[57] **CLAIM**

The ornamental design for restriction indicator, as shown and described.

DESCRIPTION

FIG. 1 is a perspective view of a restriction indicator according to the present invention;
FIG. 2 is a top plan view of the restriction indicator shown in FIG. 1;
FIG. 3 is a side elevational view of the restriction indicator shown in FIG. 1; and,
FIG. 4 is a bottom plan view of the restriction indicator shown in FIG. 1.

1 Claim, 4 Drawing Sheets



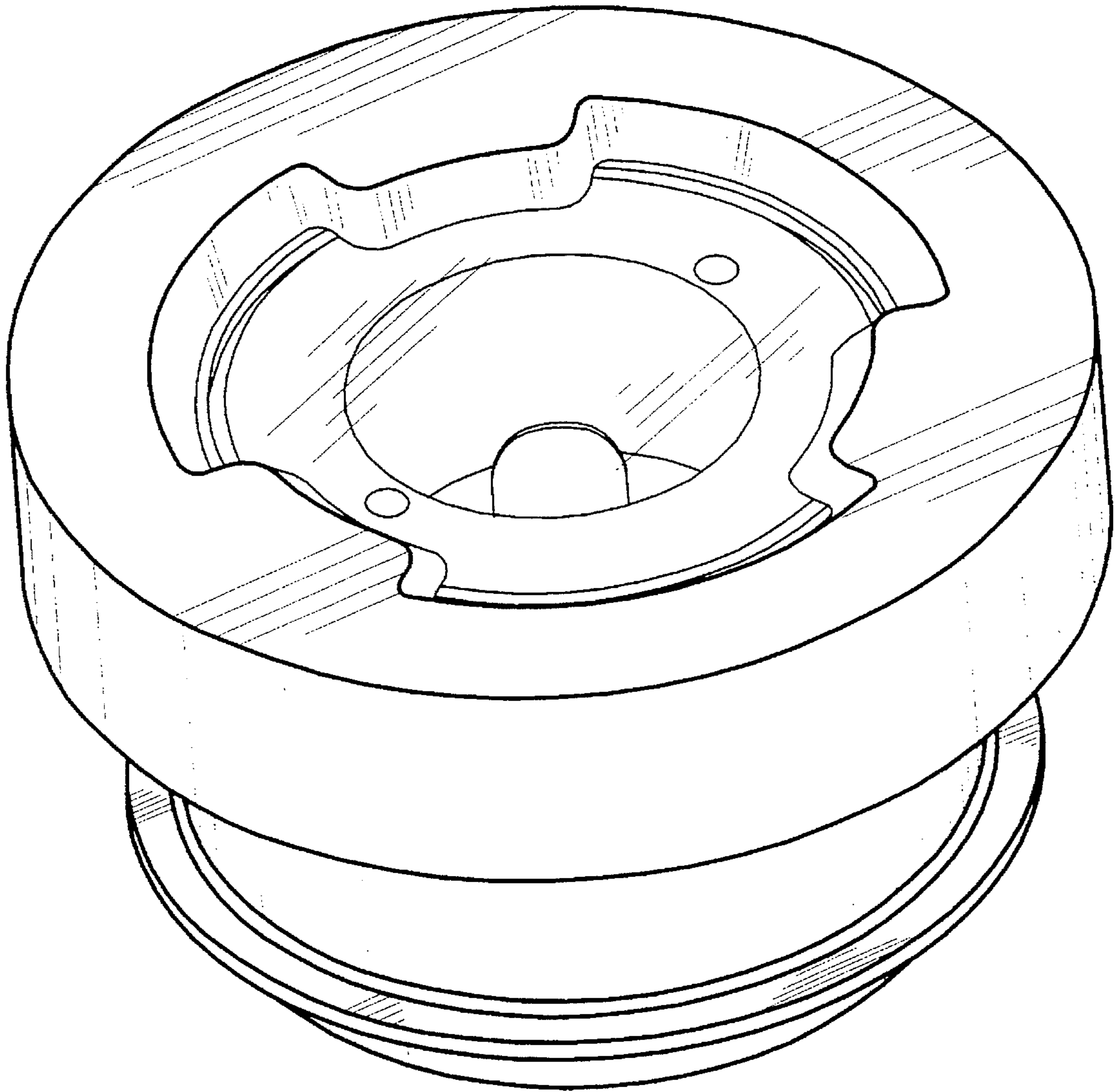


FIG. 1

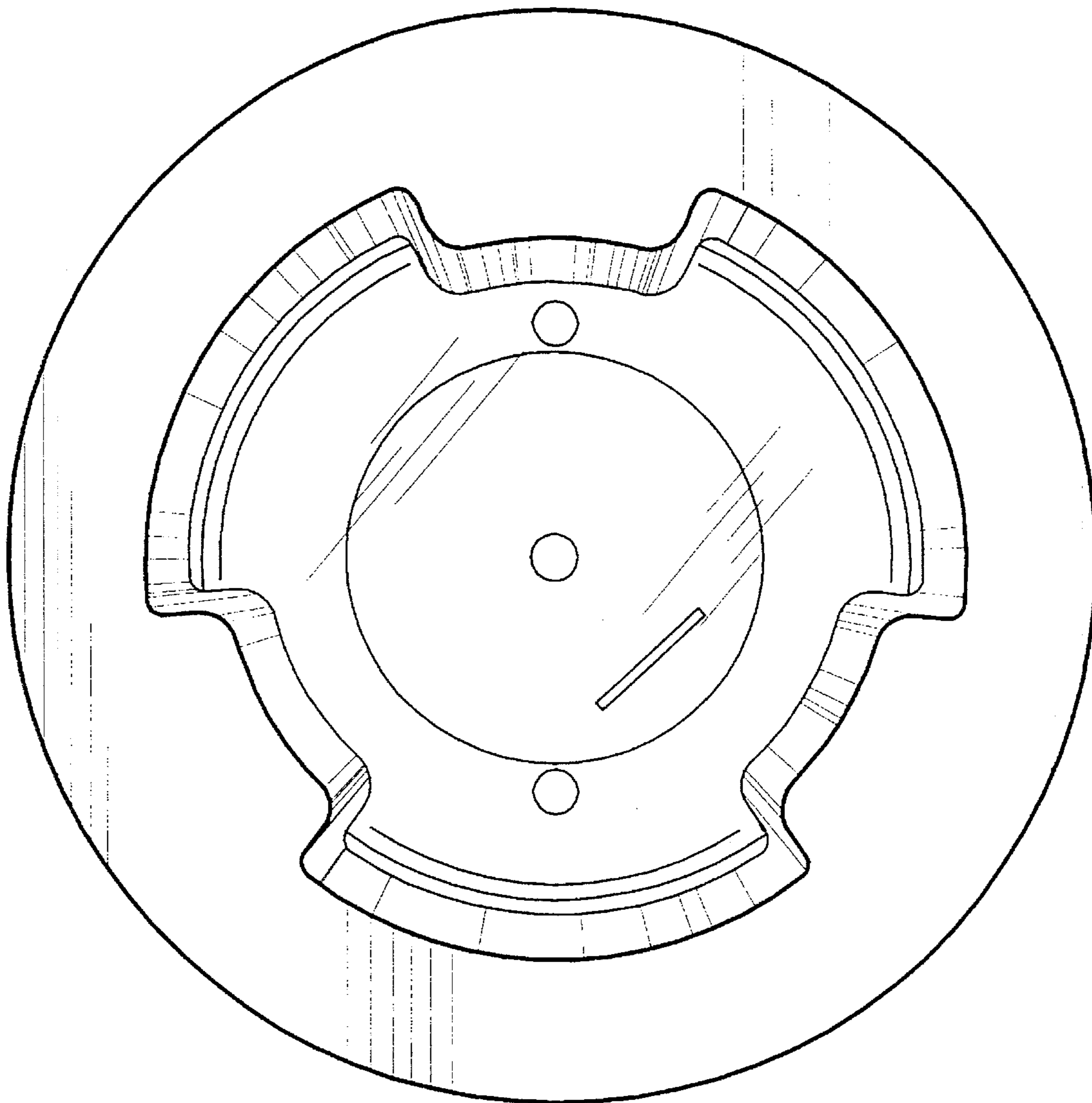


FIG. 2

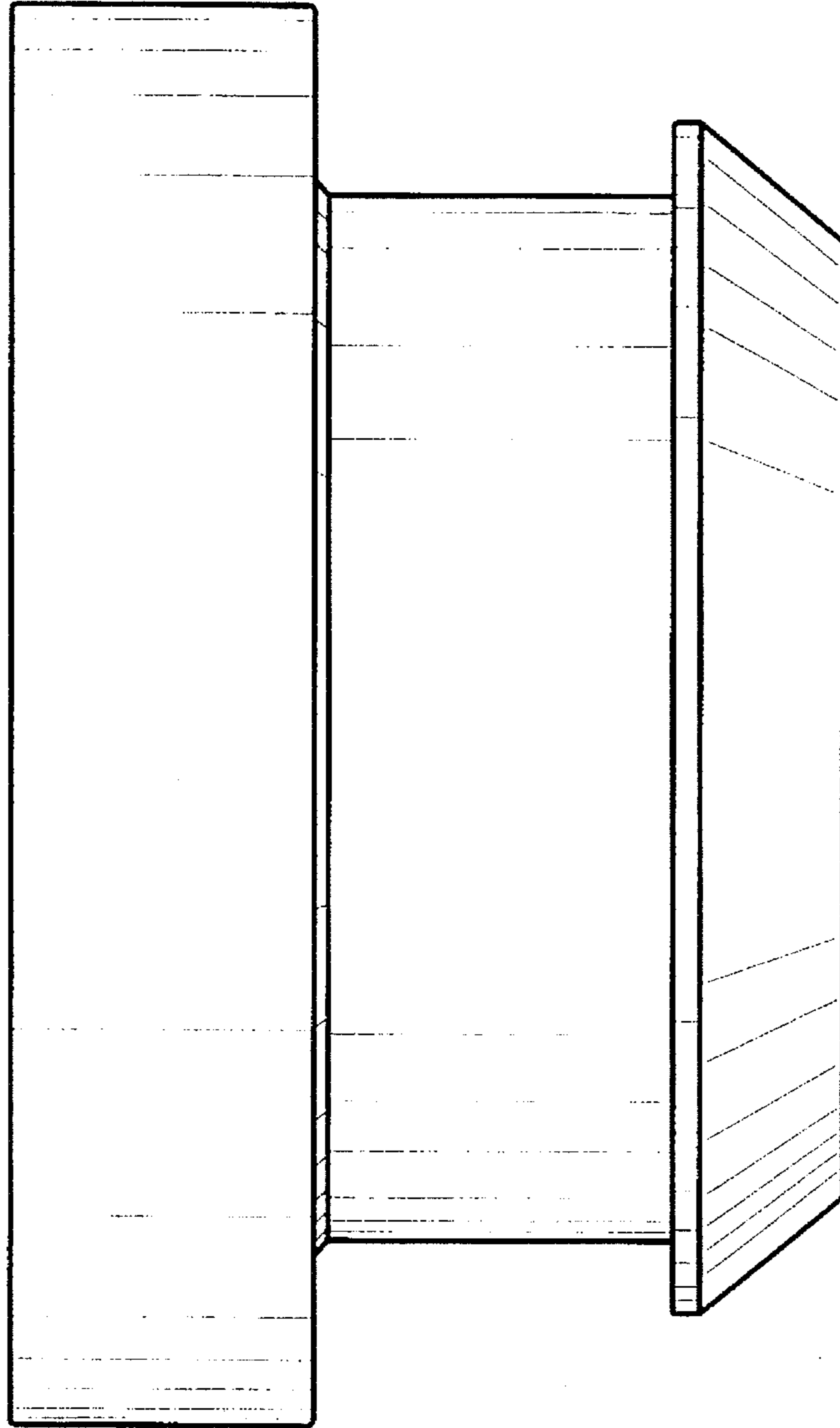


FIG. 3

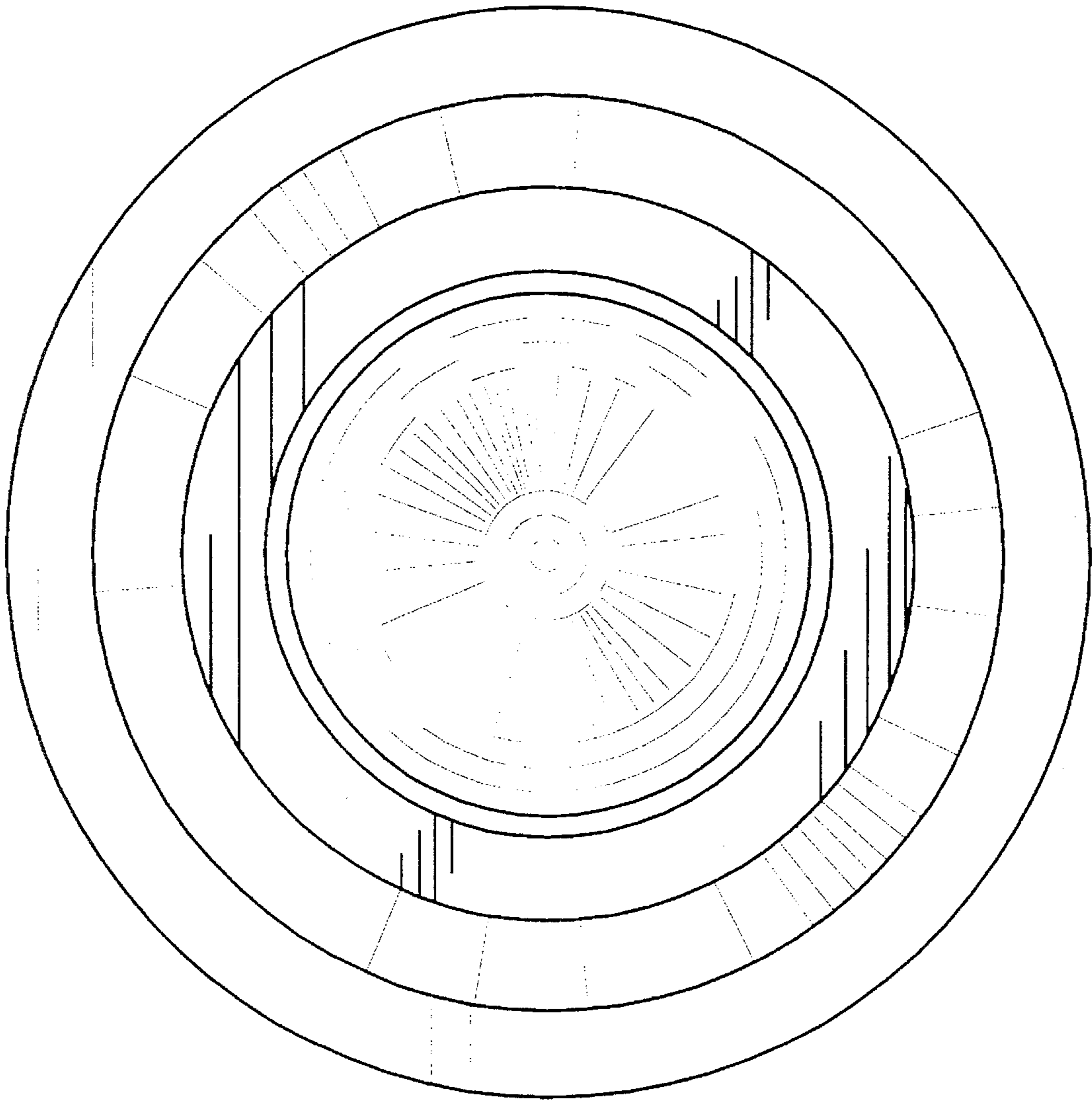


FIG. 4

UNITED STATES PATENT AND TRADEMARK OFFICE
CERTIFICATE OF CORRECTION

PATENT NO. : Des. 378,744
DATED : April 8, 1997
INVENTOR(S) : Abrahamson et al.

It is certified that error appears in the above-identified patent and that said Letters Patent is hereby corrected as shown below:

On the title page, item
75 [Inventors], "Boeckemann" should be --Boeckermann--;
Efstrand" should be --Elfstrand--.

Signed and Sealed this
Eleventh Day of November, 1997

Attest:



BRUCE LEHMAN

Attesting Officer

Commissioner of Patents and Trademarks