



US00D378743S

# United States Patent [19]

McDonald et al.

[11] Patent Number: **Des. 378,743**

[45] Date of Patent: **\*\*Apr. 8, 1997**

[54] **RULER**

[76] Inventors: **Paul R. McDonald**, 89 Morris Ave., Edison, N.J. 08837; **Gerald R. Pfund**, 131 Lakewood Ave., Ho-Ho-Kus, N.J. 07423

[\*\*] Term: **14 Years**

[21] Appl. No.: **50,004**

[22] Filed: **Feb. 7, 1996**

[52] U.S. Cl. .... **D10/71**

[58] Field of Search ..... D10/71; 33/483-494

[56] **References Cited**

**U.S. PATENT DOCUMENTS**

D. 211,283	6/1968	Hassenfeld .....	D10/71
D. 340,195	10/1993	Shapiro .....	D10/71
5,461,795	10/1995	Kok .....	33/483
5,501,019	3/1996	Concari et al. ....	33/494

*Primary Examiner*—Antoine Duval Davis  
*Attorney, Agent, or Firm*—Weingram & Associates

[57] **CLAIM**

The ornamental design for the ruler, as shown and described.

**DESCRIPTION**

FIG. 1 is a top perspective view of my new design for a ruler in accordance with the present invention;

FIG. 2 is a top plan view;

FIG. 3 is a side elevational view;

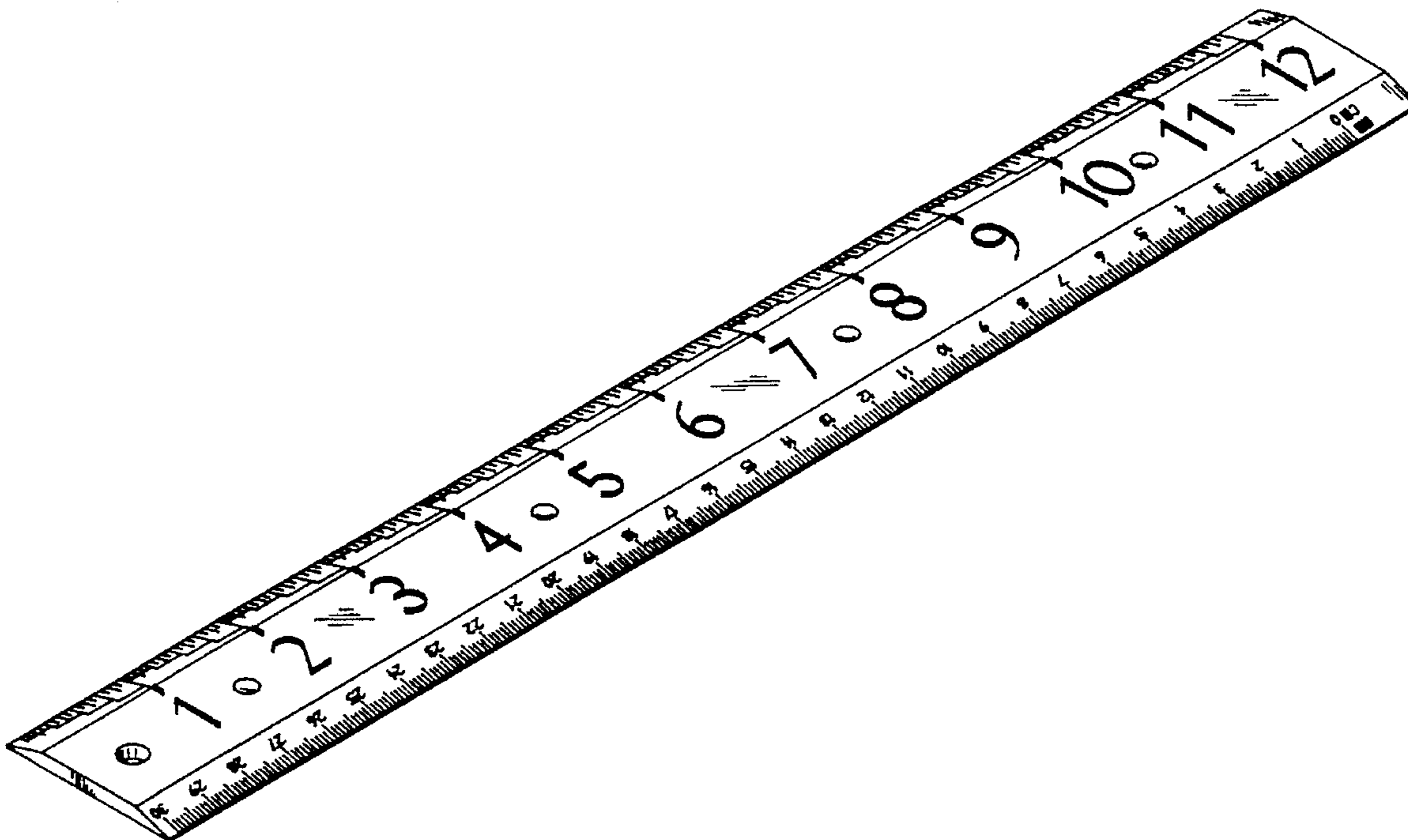
FIG. 4 is another side elevational view opposite to that shown in FIG. 3;

FIG. 5 is a bottom plan view;

FIG. 6 is an end elevational view; and,

FIG. 7 is another end elevational view opposite to that shown in FIG. 6.

**1 Claim, 2 Drawing Sheets**



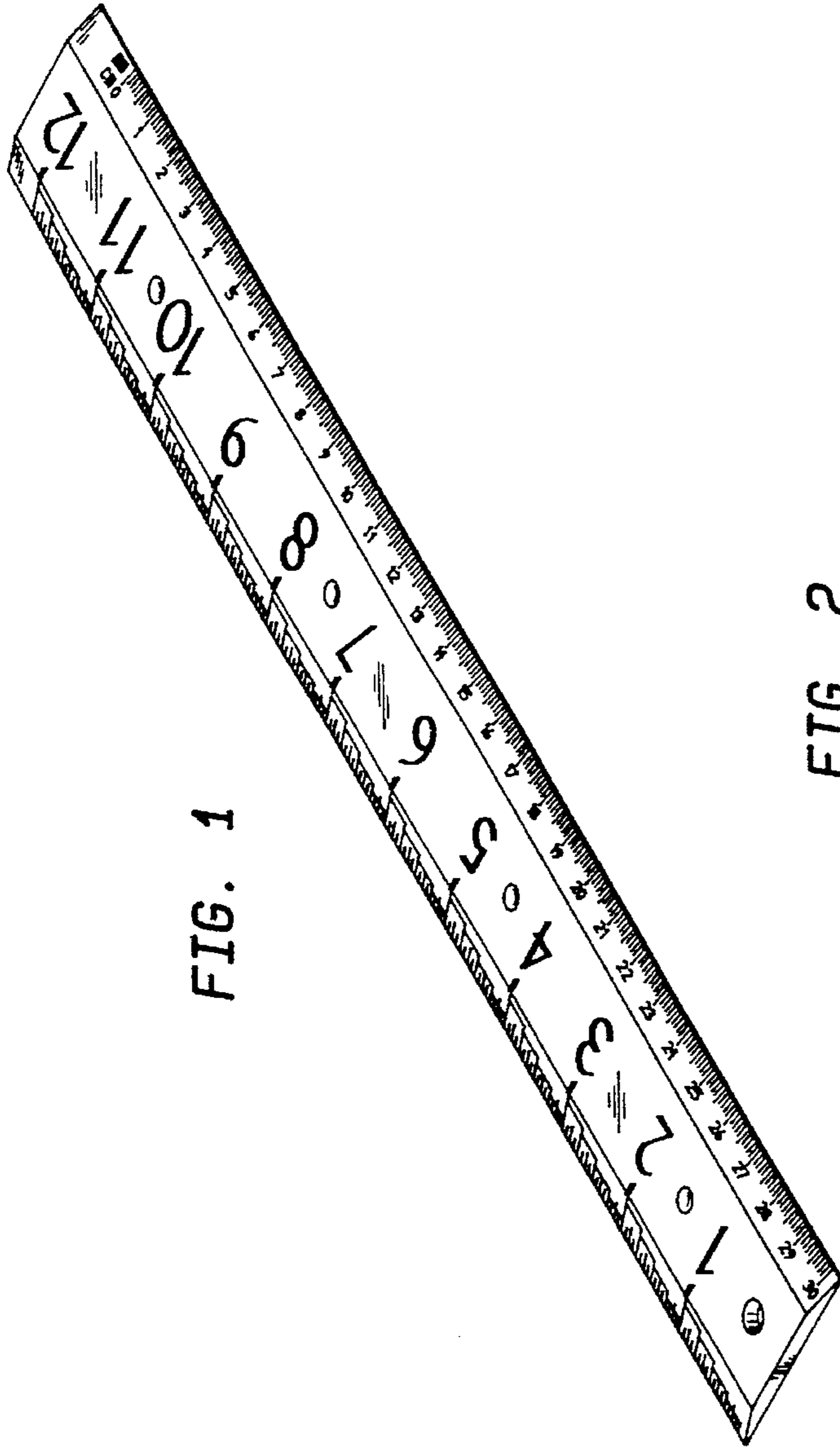


FIG. 2

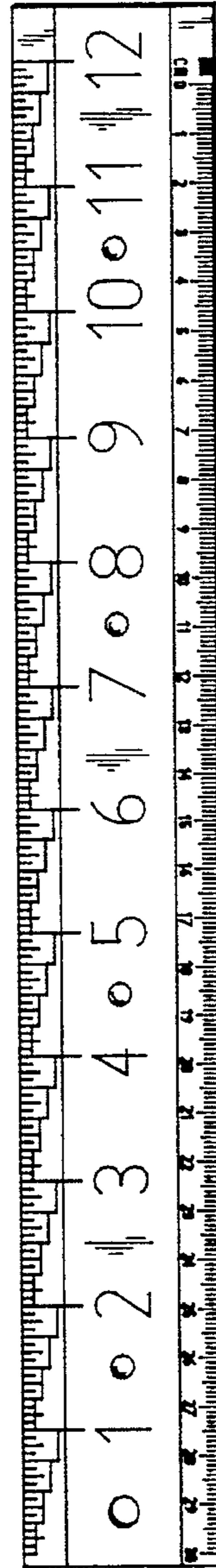


FIG. 3



FIG. 4



FIG. 5

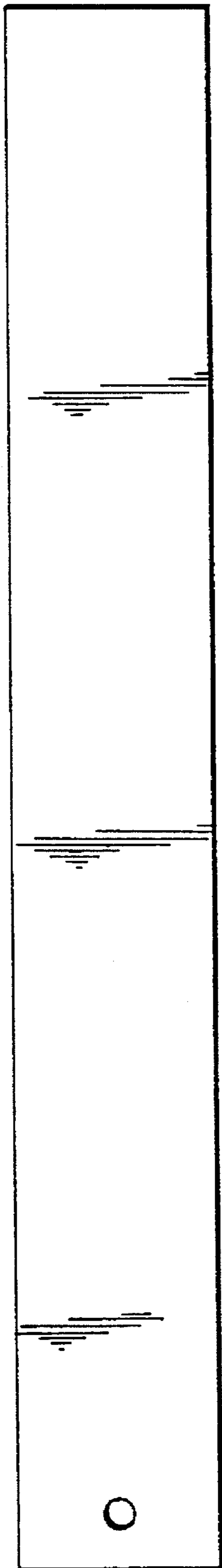


FIG. 6



FIG. 7

