



US00D378740S

# United States Patent [19]

Yamamoto et al.

[11] Patent Number: **Des. 378,740**

[45] Date of Patent: **\*\*Apr. 8, 1997**

[54] **WRIST WATCH**

[75] Inventors: **Hideyuki Yamamoto**, Fussa, Japan;  
**Richard W. Seymour**, Surrey; **David H. Powell**, West Sussex, both of United Kingdom

[73] Assignee: **Casio Computer Co., Ltd.**, Tokyo, Japan

[\*\*] Term: **14 Years**

[21] Appl. No.: **45,241**

[22] Filed: **Oct. 13, 1995**

[30] **Foreign Application Priority Data**

Aug. 30, 1995 [JP] Japan ..... 2049955

[52] U.S. Cl. .... **D10/38; D10/30 X**

[58] Field of Search ..... D10/1-40, 122-132;  
368/280-282, 276-277, 28-30, 285, 239-242,  
82-84, 41-44

[56] **References Cited**

**U.S. PATENT DOCUMENTS**

D. 327,441 6/1992 Yamamoto ..... D10/38

D. 327,445 6/1992 Fujihara ..... D10/30  
D. 349,247 8/1994 Sugita ..... D10/38  
D. 349,248 8/1994 Yamamoto ..... D10/38  
D. 354,239 1/1995 Ishizaga ..... D10/30

*Primary Examiner*—Nelson C. Holtje  
*Attorney, Agent, or Firm*—Frishauf, Holtz, Goodman, Langer & Chick

[57] **CLAIM**

The ornamental design for a wrist watch, as shown and described.

**DESCRIPTION**

FIG. 1 is a front elevational view of a wrist watch showing our new design;

FIG. 2 is a right side elevational view thereof, the left side elevational view being identical to the right side elevational view;

FIG. 3 is a top plan view thereof, the bottom plan view being identical to the top plan view;

FIG. 4 is a rear elevational view thereof; and,

FIG. 5 is a perspective view thereof.

**1 Claim, 2 Drawing Sheets**





FIG. 3



FIG. 1

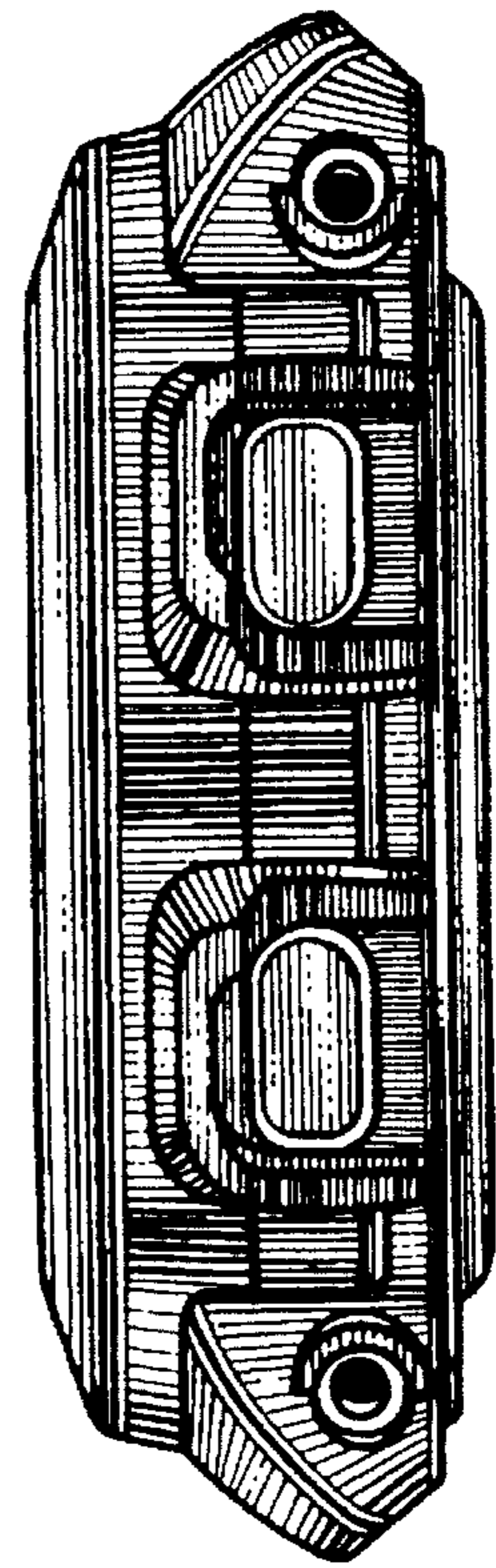


FIG. 2

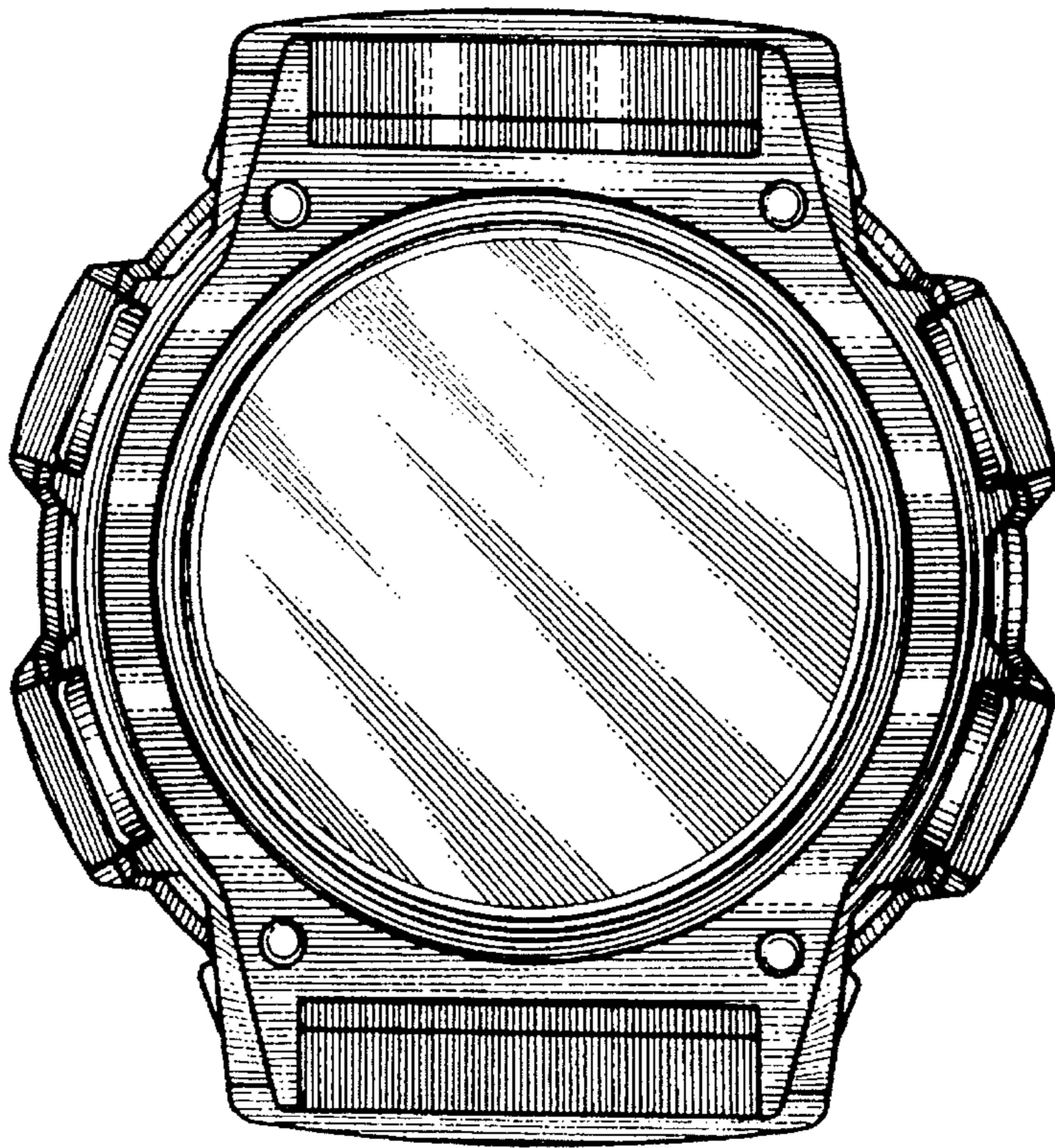


FIG. 4

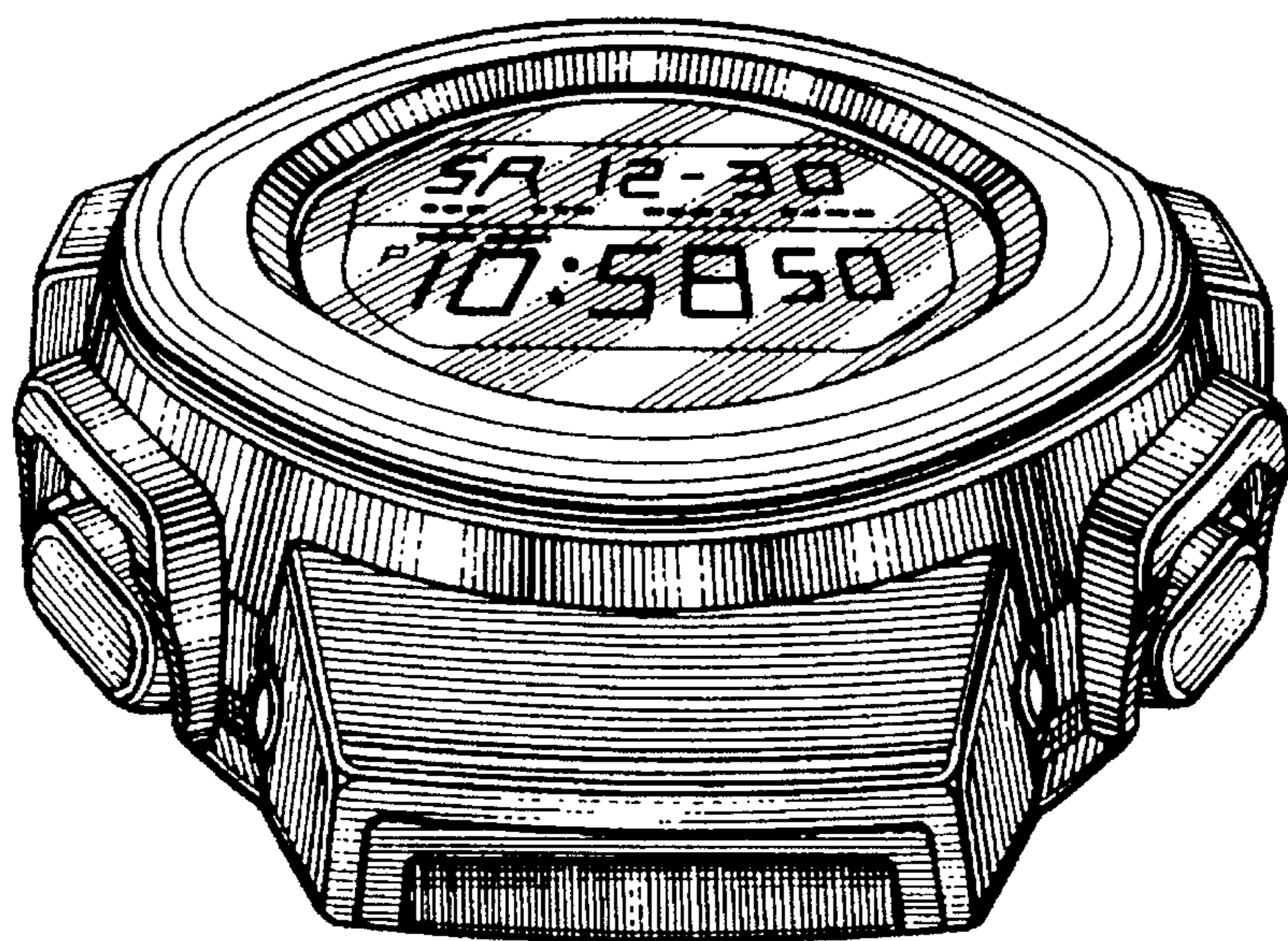


FIG. 5

UNITED STATES PATENT AND TRADEMARK OFFICE  
**CERTIFICATE OF CORRECTION**

PATENT NO. : Des.378,740  
DATED : April 8, 1997  
INVENTOR(S) : YAMAMOTO et al.


It is certified that error appears in the above-identified patent and that said Letters Patent is hereby corrected as shown below:

Column 1 of the Title page (beneath Item [22]),  
[30] should read -- Foreign Application Priority Data  
Aug. 30, 1995 [GB] Great Britain.....2049955--.

Column 2 of the Title page, line 4,  
"Ishizaga" should be --Ishizaka--.

Signed and Sealed this  
Twenty-eighth Day of December, 1999

*Attest:*



Q. TODD DICKINSON

*Attesting Officer*

*Acting Commissioner of Patents and Trademarks*