



US00D378739S

# United States Patent [19]

[11] Patent Number: **Des. 378,739**

Strasser

[45] Date of Patent: **\*\*Apr. 8, 1997**

## [54] WRISTWATCH

[75] Inventor: **Florian Strasser**, Meinisberg, Switzerland

[73] Assignee: **Movado Watch Company S.A.**, Grenchen, Switzerland

[\*\*] Term: **14 Years**

[21] Appl. No.: **52,470**

[22] Filed: **Apr. 2, 1996**

### [30] Foreign Application Priority Data

Dec. 8, 1995 [EP] European Pat. Off. .... DMA/003170

[52] U.S. Cl. .... **D10/32; D10/39**

[58] Field of Search ..... D10/1-40, 122-132; 368/276-277, 280-282, 285; D11/3-4, 12, 14, 19-25; 63/1.1, 3, 5.1, 11

### [56] References Cited

#### U.S. PATENT DOCUMENTS

- D. 287,109 12/1986 Levene ..... D11/12 X
- D. 353,346 12/1994 Burgener ..... D10/39 X
- D. 356,956 4/1995 Hitter ..... D10/32

## OTHER PUBLICATIONS

*Form III*—Mar. 1985 p. 31 Watches at bottom-right.  
*European Jeweler (U.Z.)*—Jan. 1986 p. 167 Watches at bottom-right.

*Jewelers Circular-Keystone*—Jul. 1987 p. 20 Watches at bottom-right.

*Primary Examiner*—Nelson C. Holtje  
*Attorney, Agent, or Firm*—Clifford W. Browning; Woodward, Emhardt, Naughton, Moriarty & McNett

## [57] CLAIM

The ornamental design for a wristwatch, as shown and described.

## DESCRIPTION

FIG. 1 is a perspective view of a wristwatch, showing my new design;

FIG. 2 is a top plan view;

FIG. 3 is a bottom plan view;

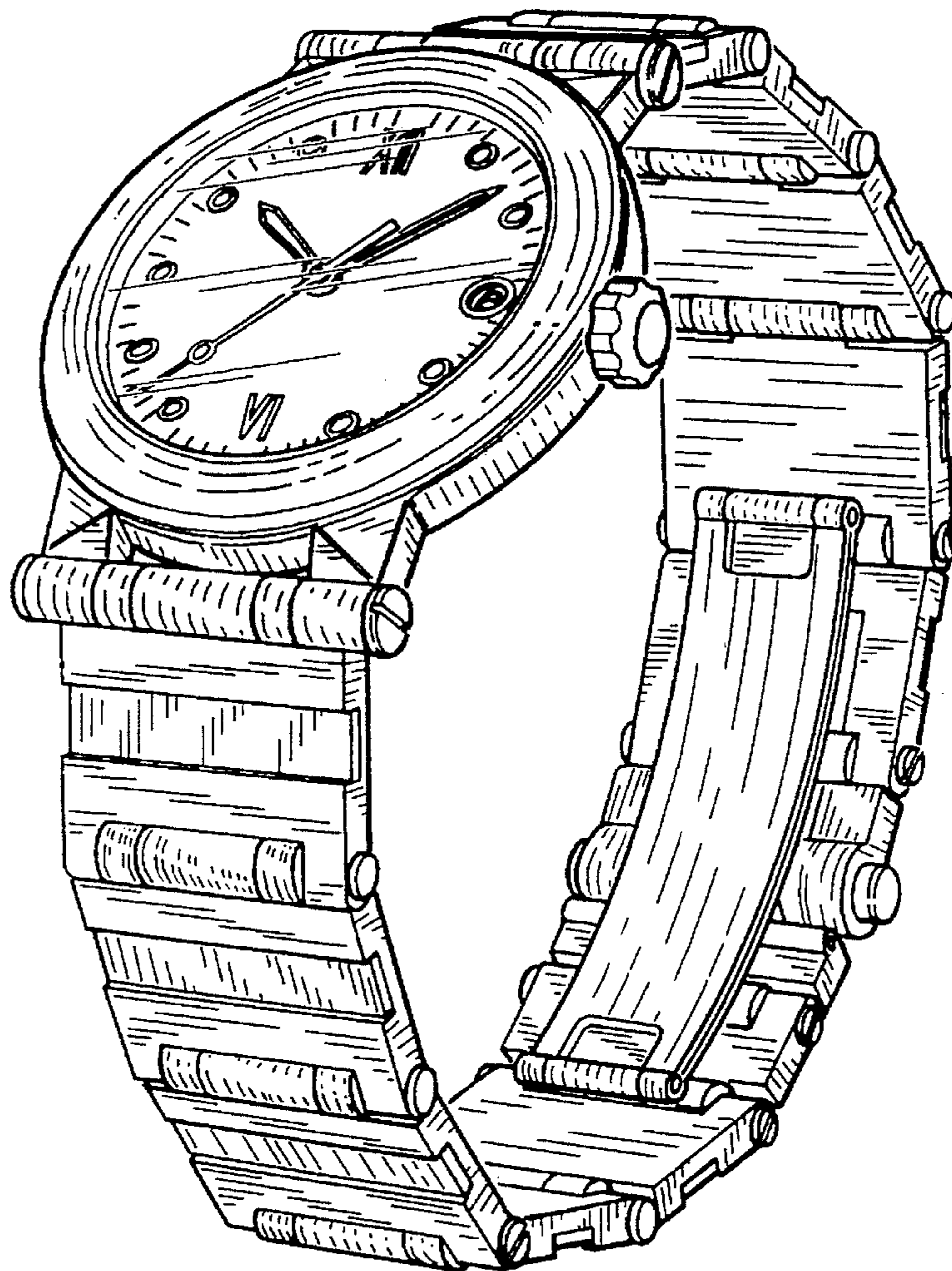
FIG. 4 is a front elevation view;

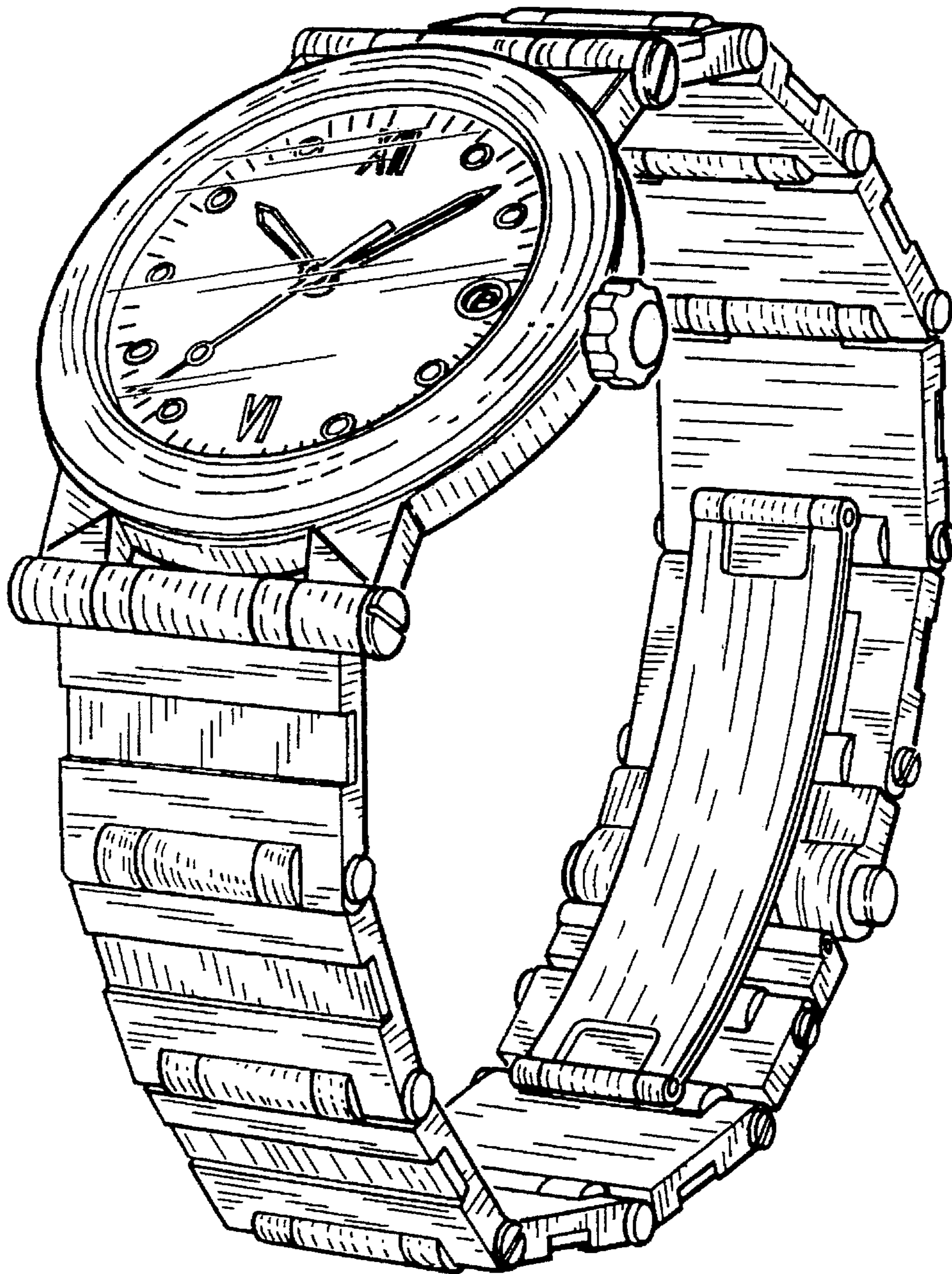
FIG. 5 is a rear elevation view;

FIG. 6 is a left side elevation view; and,

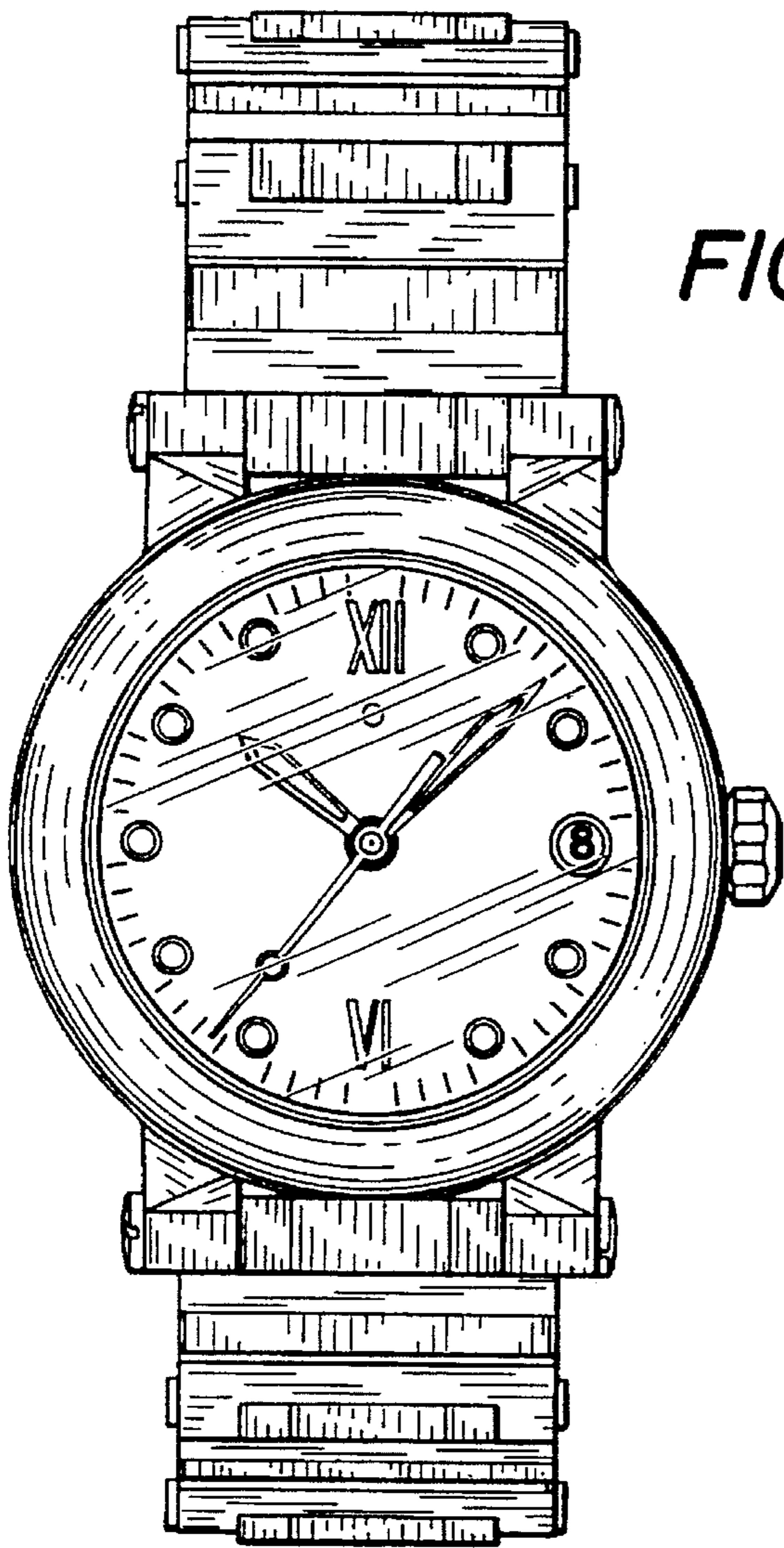
FIG. 7 is a right side elevation view.

**1 Claim, 4 Drawing Sheets**

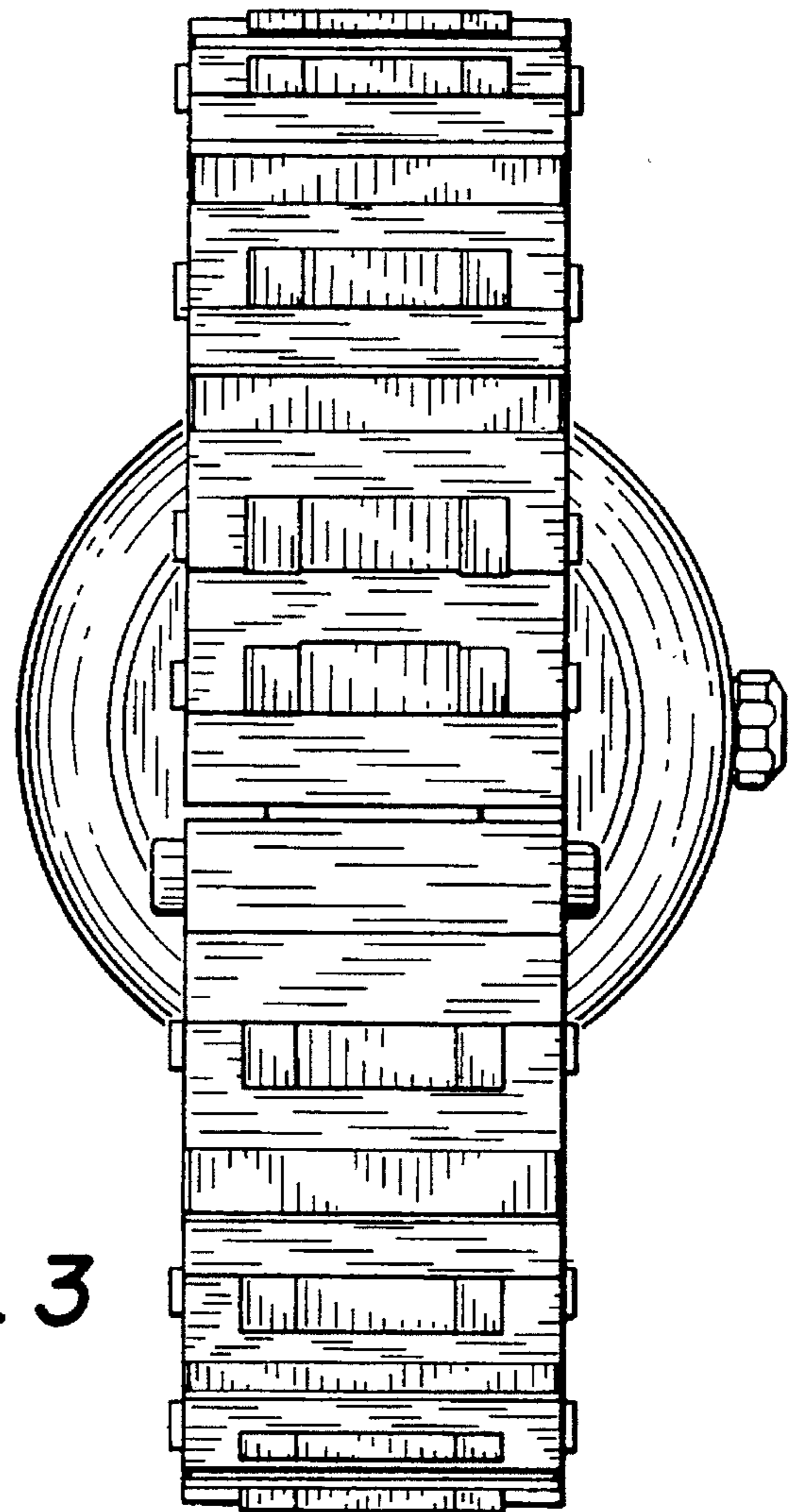




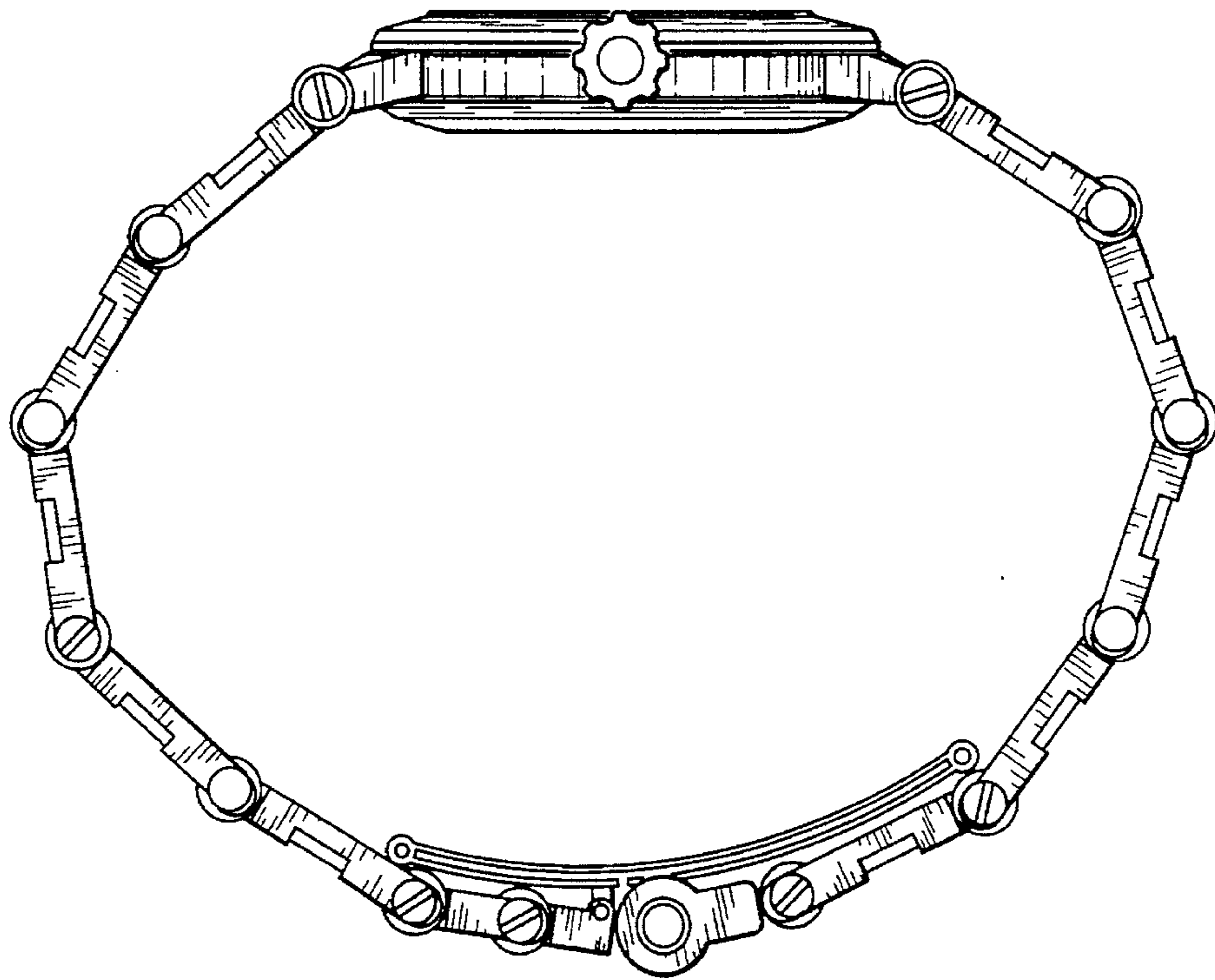
**FIG. 1**



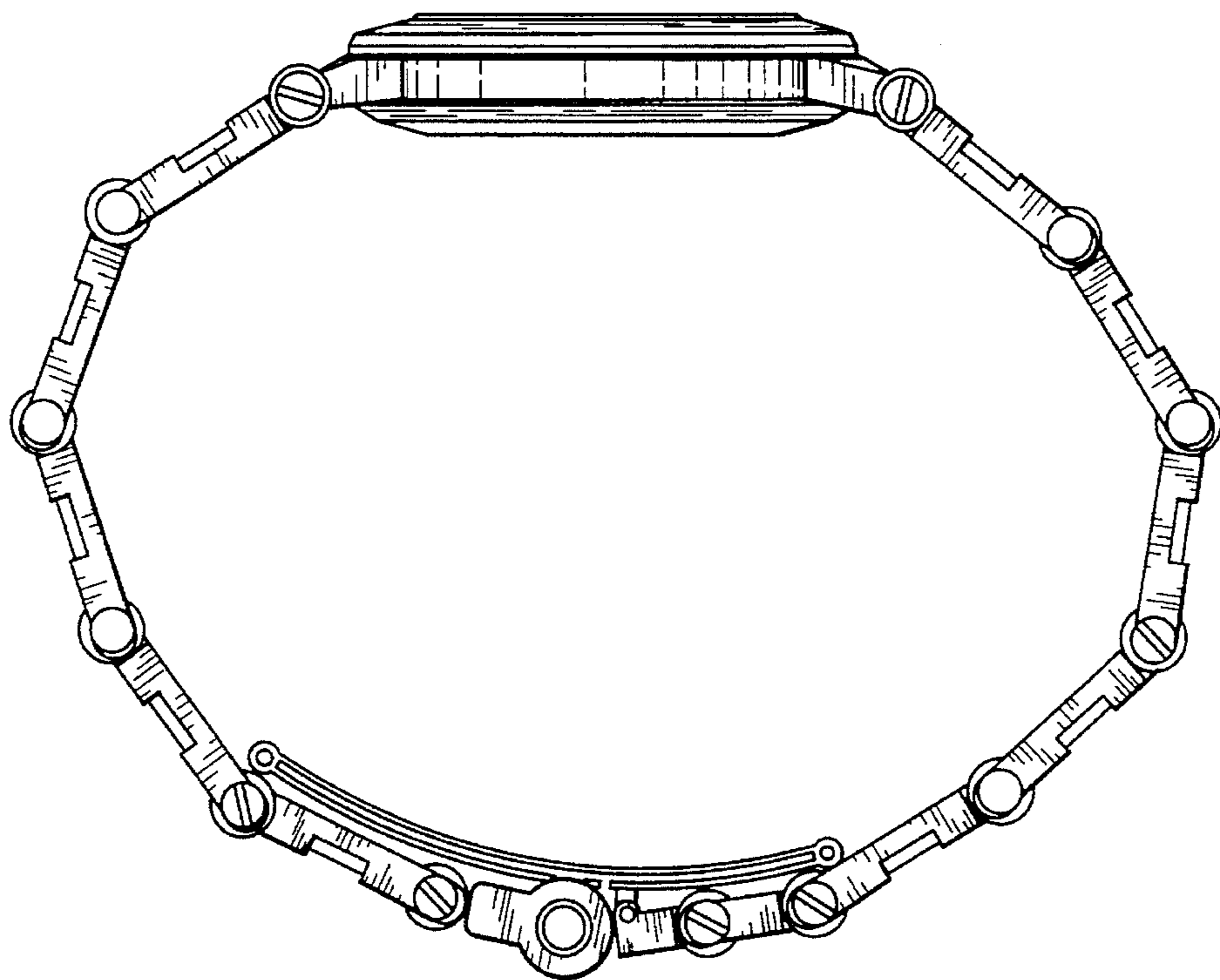
*FIG. 2*



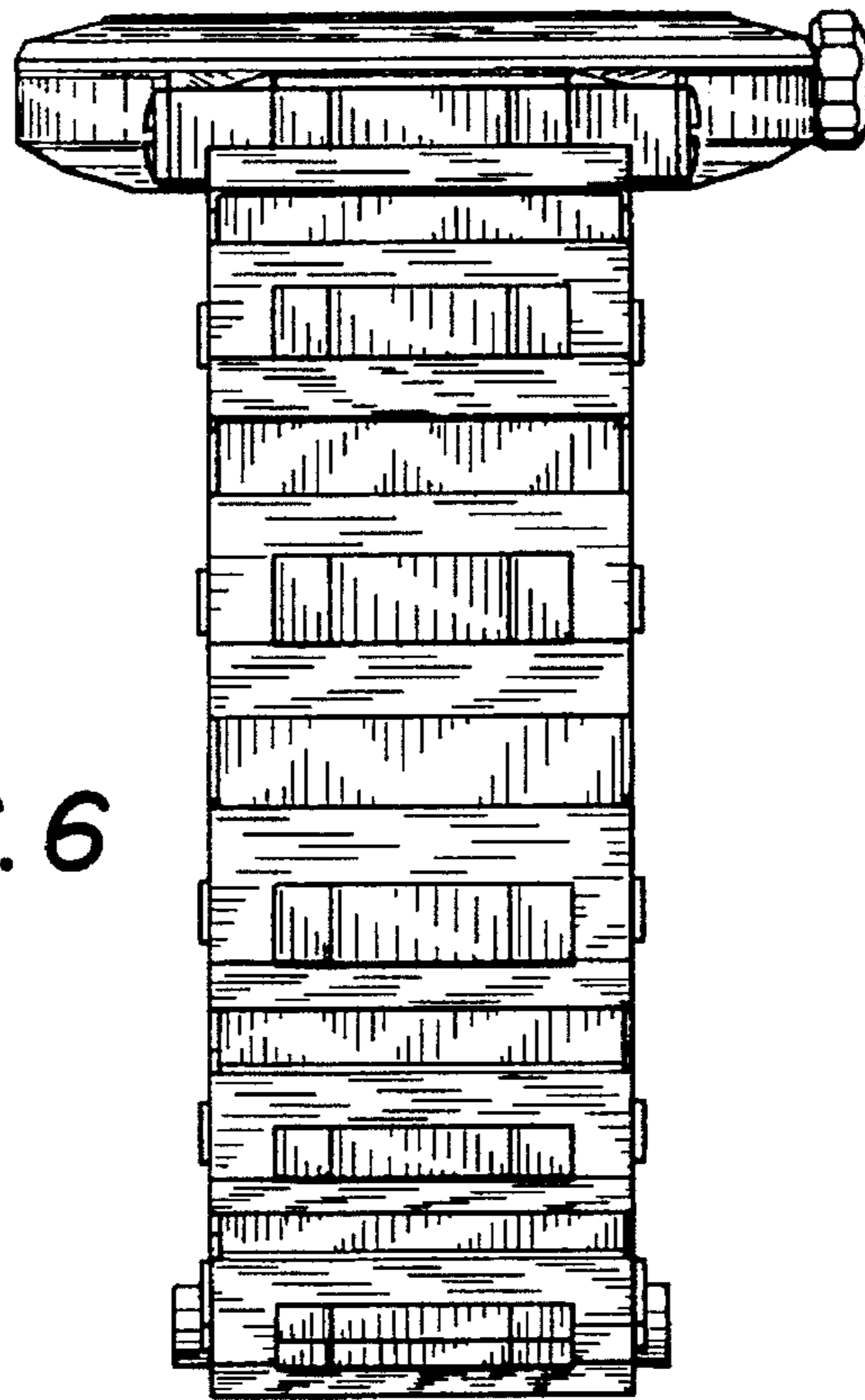
*FIG. 3*



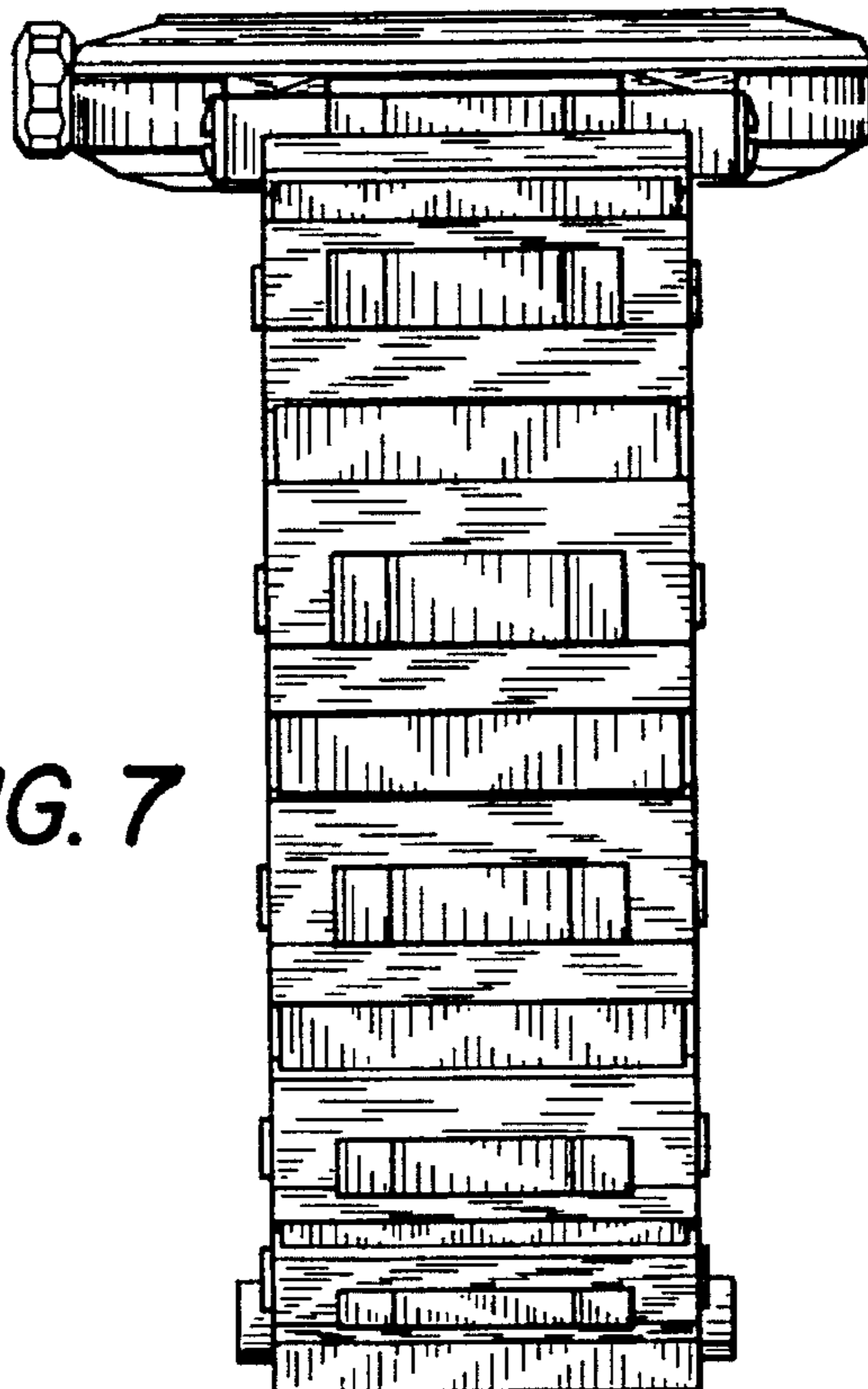
**FIG. 4**



**FIG. 5**



*FIG. 6*



*FIG. 7*