



US00D378737S

United States Patent [19]

McCue et al.

[11] Patent Number: **Des. 378,737**

[45] Date of Patent: ****Apr. 8, 1997**

[54] **FLOPPY DISK CLOCK**

[76] Inventors: **Ellie McCue; Dennis McCue**, both of
4136 Redwood Hwy., San Rafael, Calif.
94903

[**] Term: **14 Years**

[21] Appl. No.: **40,236**

[22] Filed: **Jun. 13, 1995**

[52] U.S. Cl. **D10/6; D10/26**

[58] Field of Search D10/1-40, 122-132;
D14/121; 368/223, 228-229, 232, 280-282,
285

[56] **References Cited**

U.S. PATENT DOCUMENTS

D. 224,358	5/1977	Neal	D10/22
D. 295,262	4/1988	Angell	D10/6
D. 301,981	7/1989	Song	D10/6
D. 304,429	11/1989	Hirschhorn	D10/126

D. 339,297	9/1993	Balch	D10/6
D. 360,832	8/1995	Koch	D10/6
D. 363,433	10/1995	Caraballo	D10/6

Primary Examiner—Nelson C. Holtje
Attorney, Agent, or Firm—Jack Lo

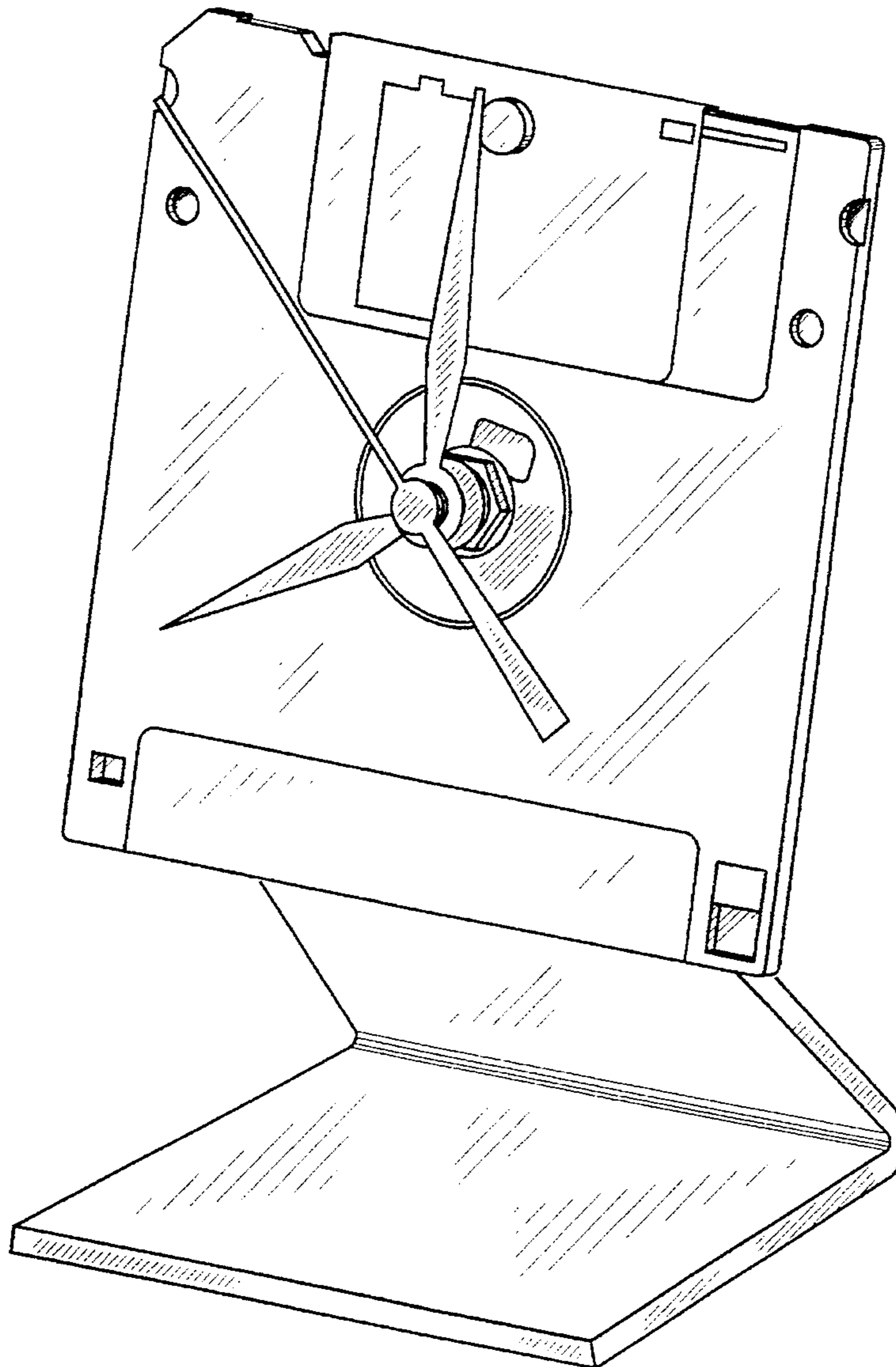
[57] **CLAIM**

The ornamental design for a floppy disk clock, as shown.

DESCRIPTION

FIG. 1 is a front perspective view of a floppy disk clock showing our new design;
FIG. 2 is a front view thereof;
FIG. 3 is a rear view thereof;
FIG. 4 is a top side view thereof;
FIG. 5 is a bottom view thereof;
FIG. 6 is a right side view thereof; and,
FIG. 7 is a left side view thereof.

1 Claim, 7 Drawing Sheets



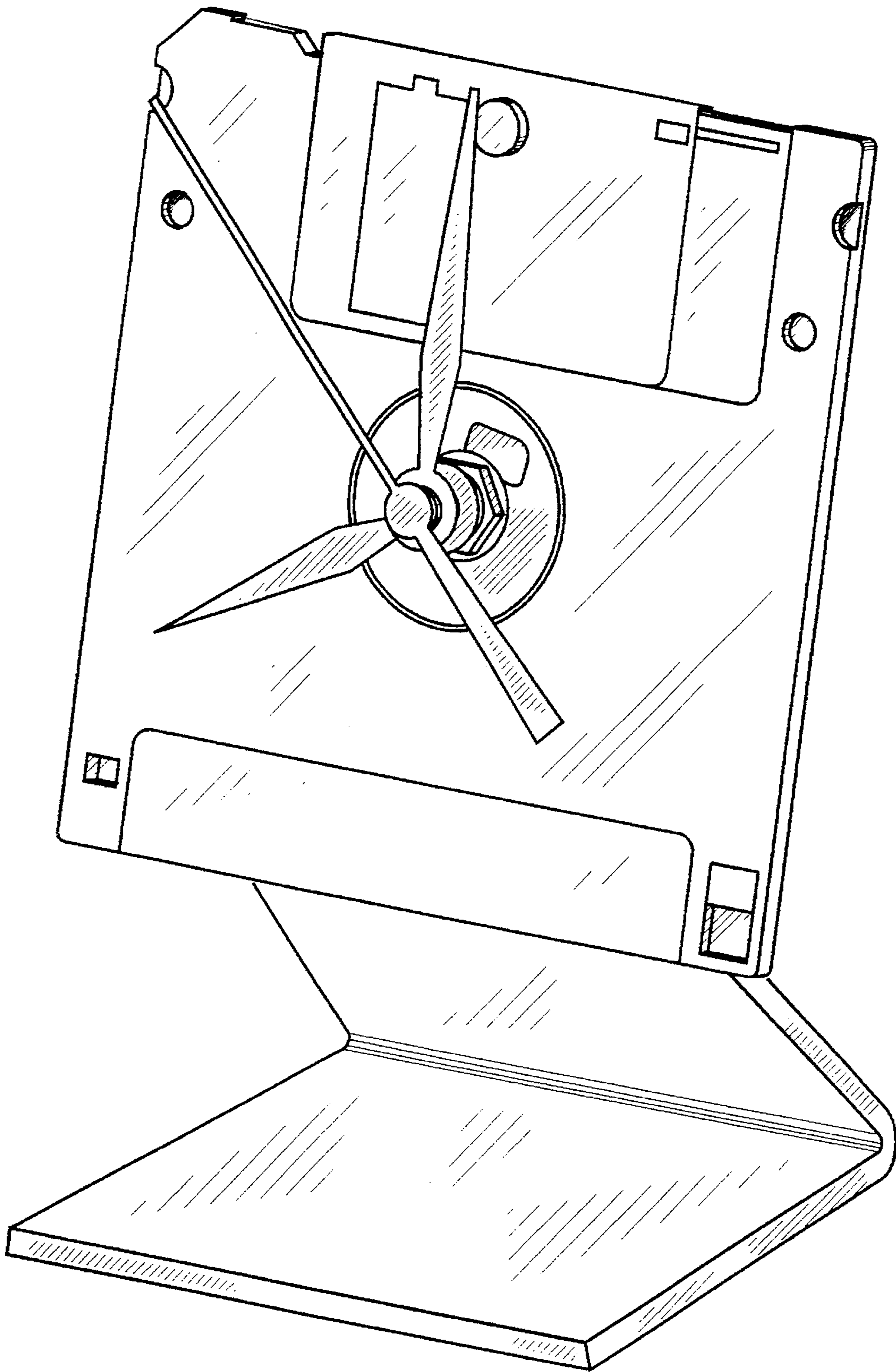


Fig. 1

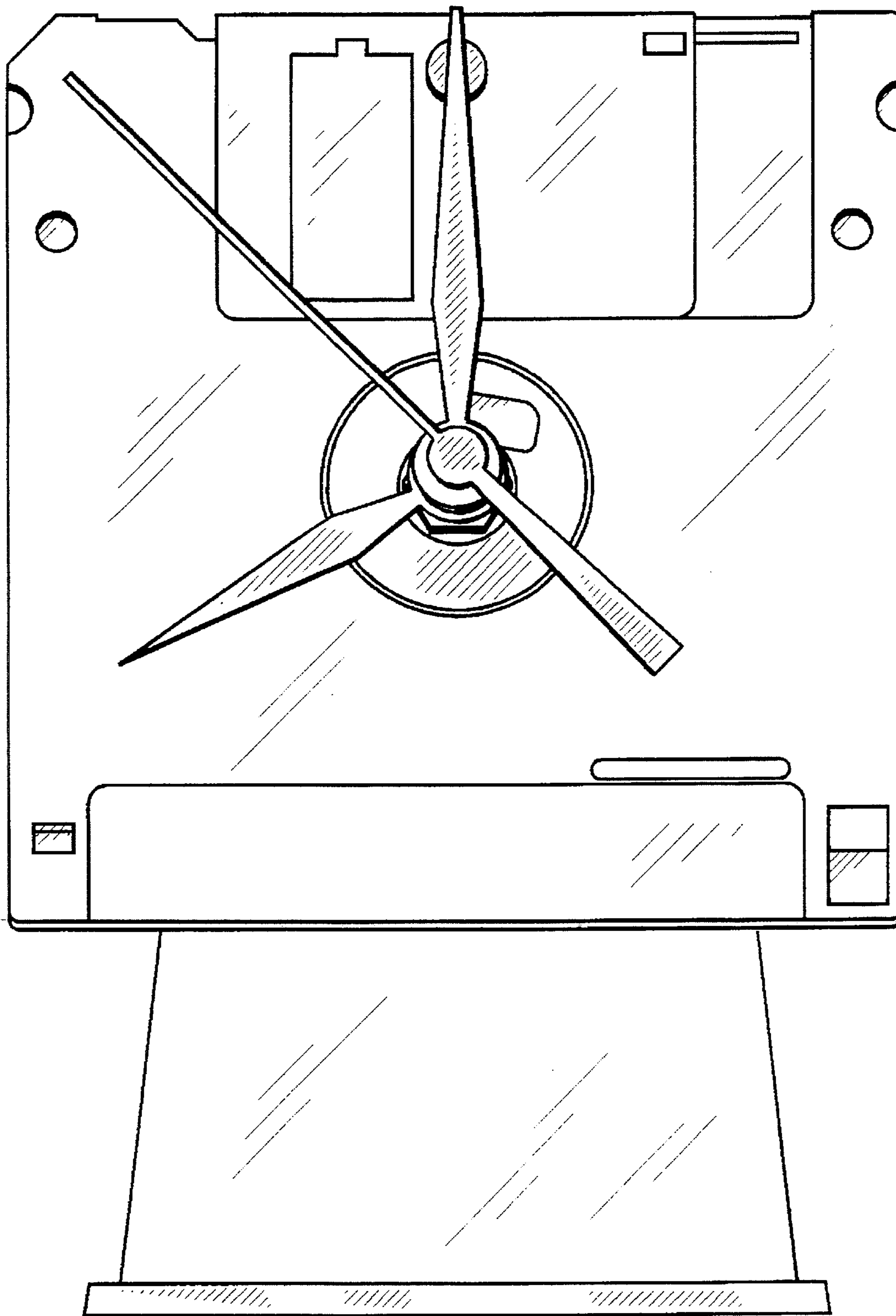


Fig. 2

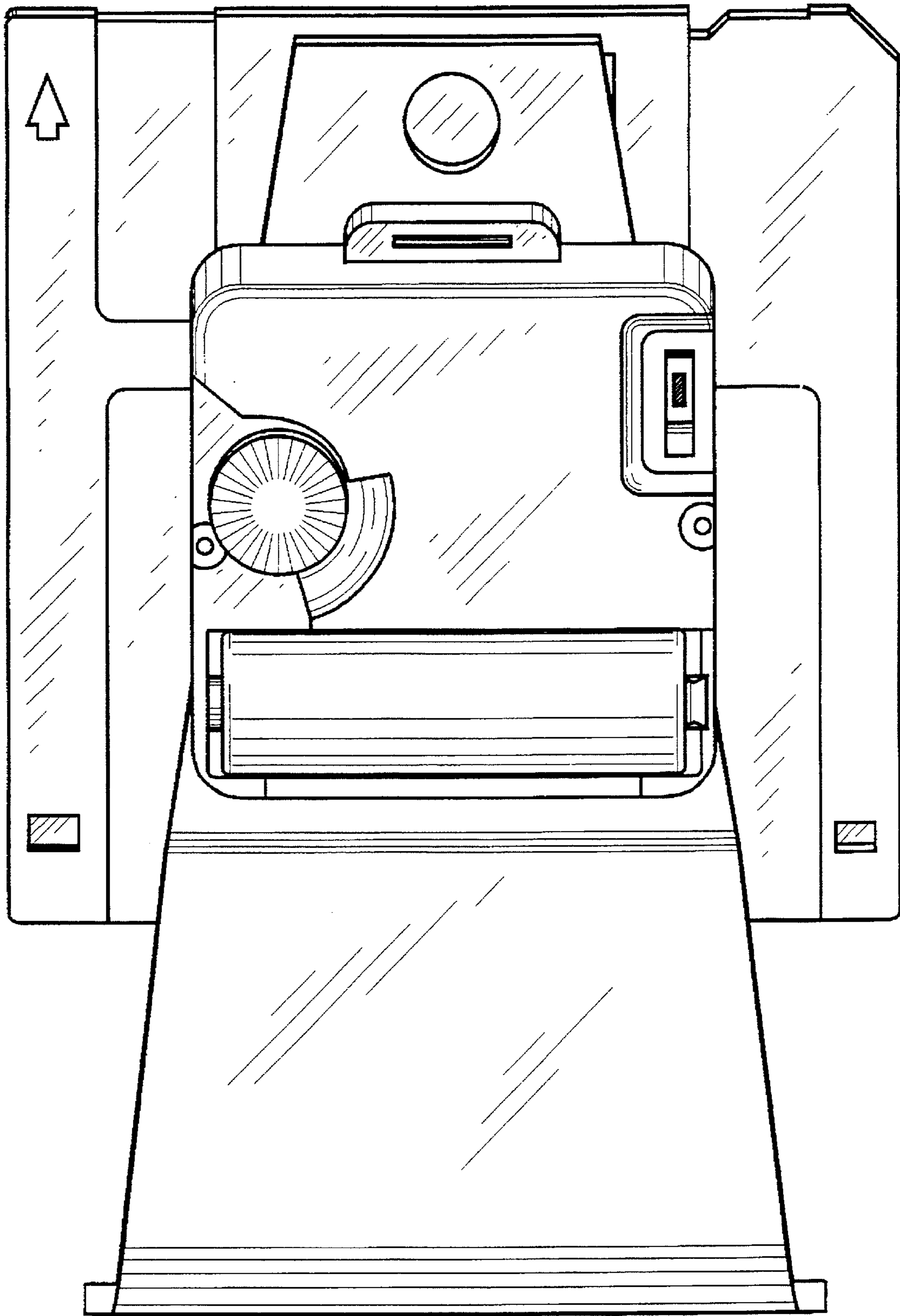


Fig. 3

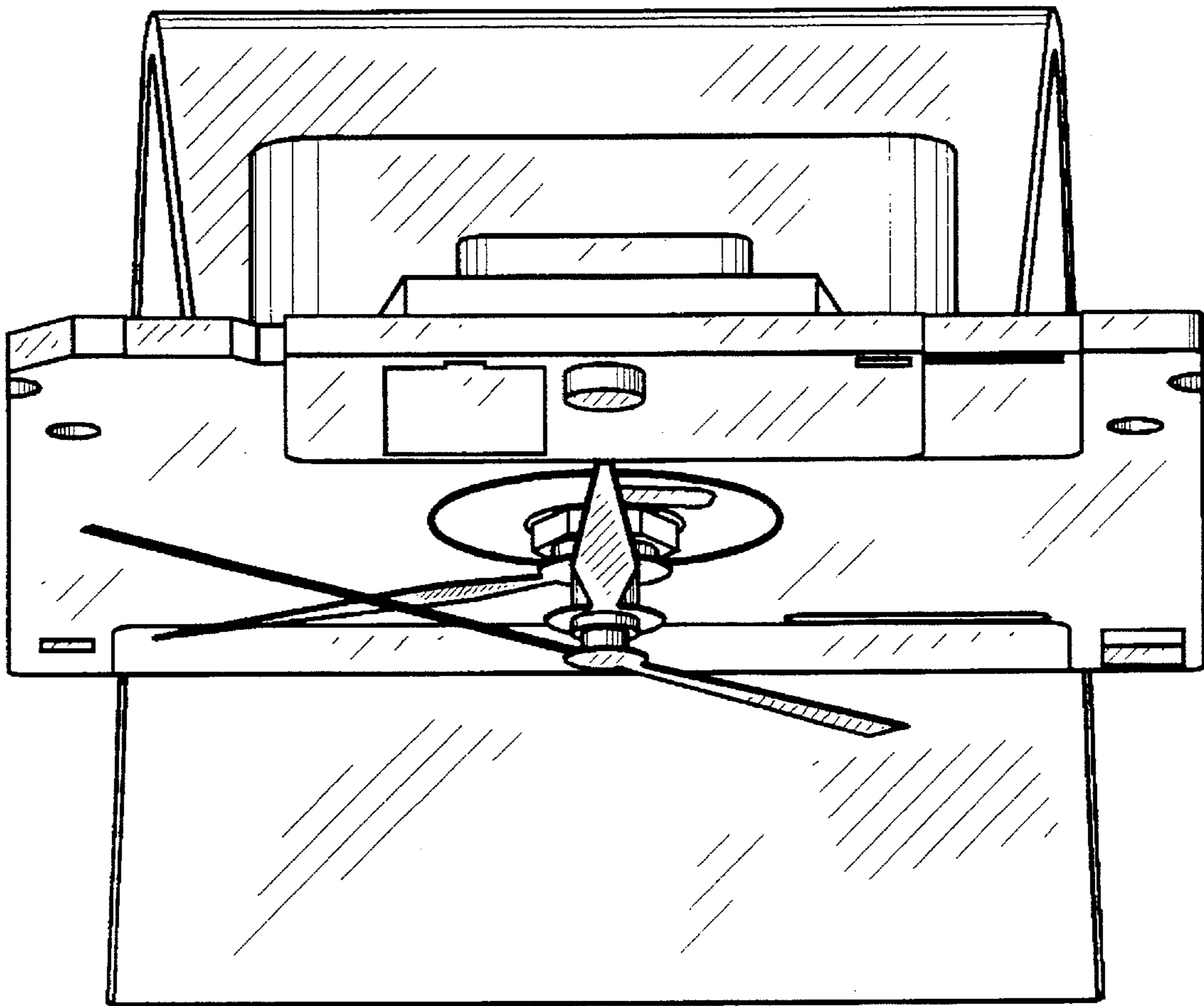


Fig. 4

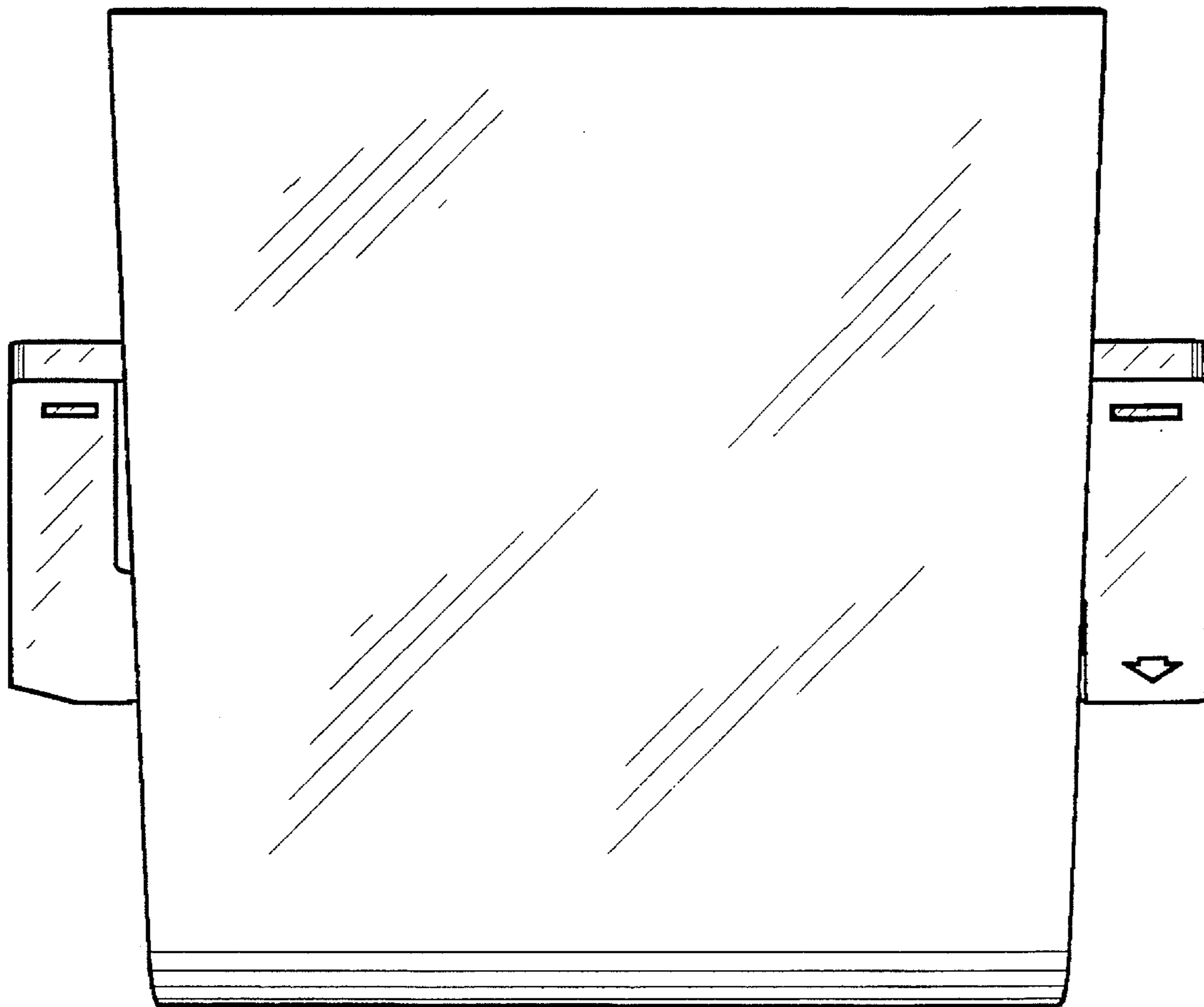


Fig. 5

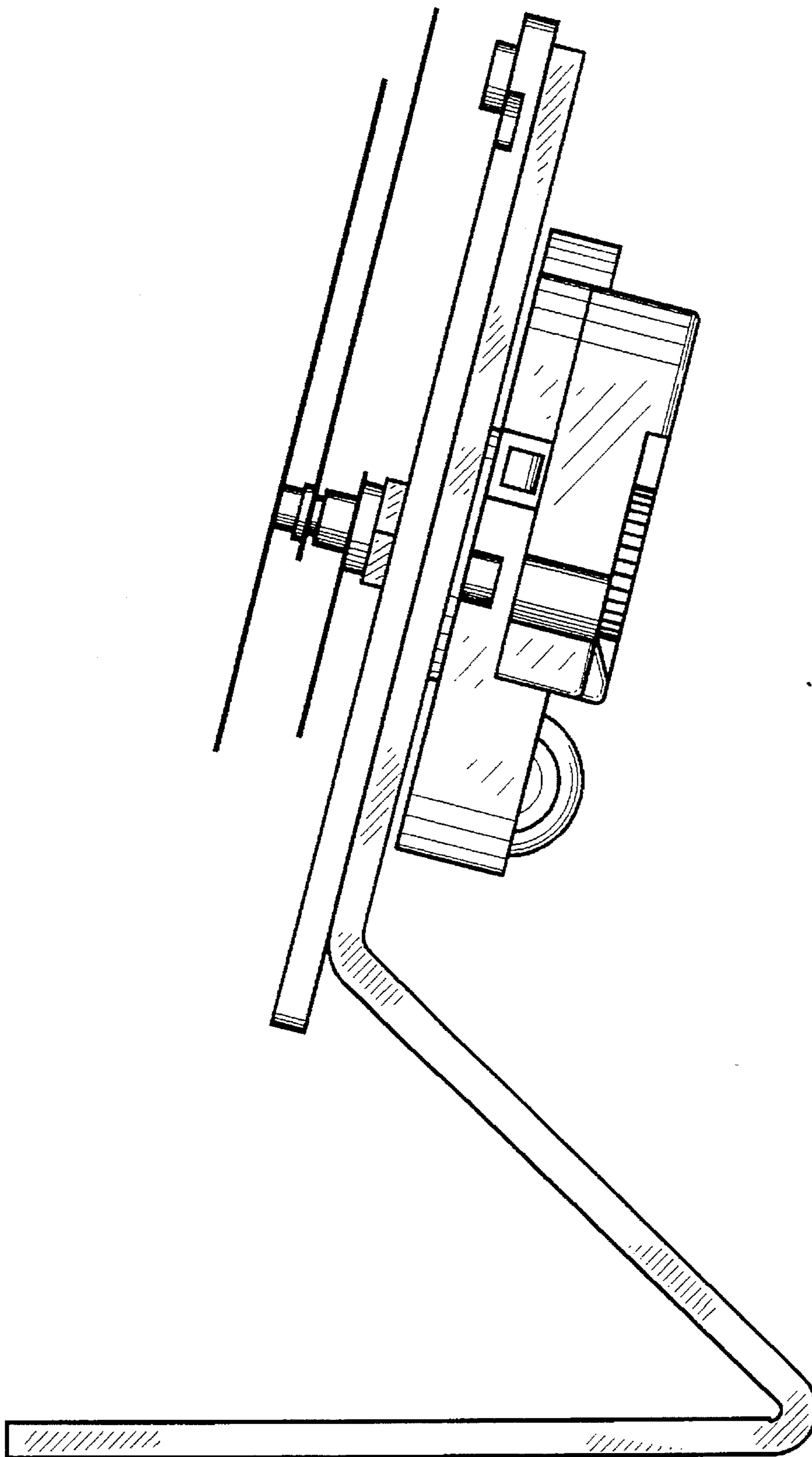


Fig. 6

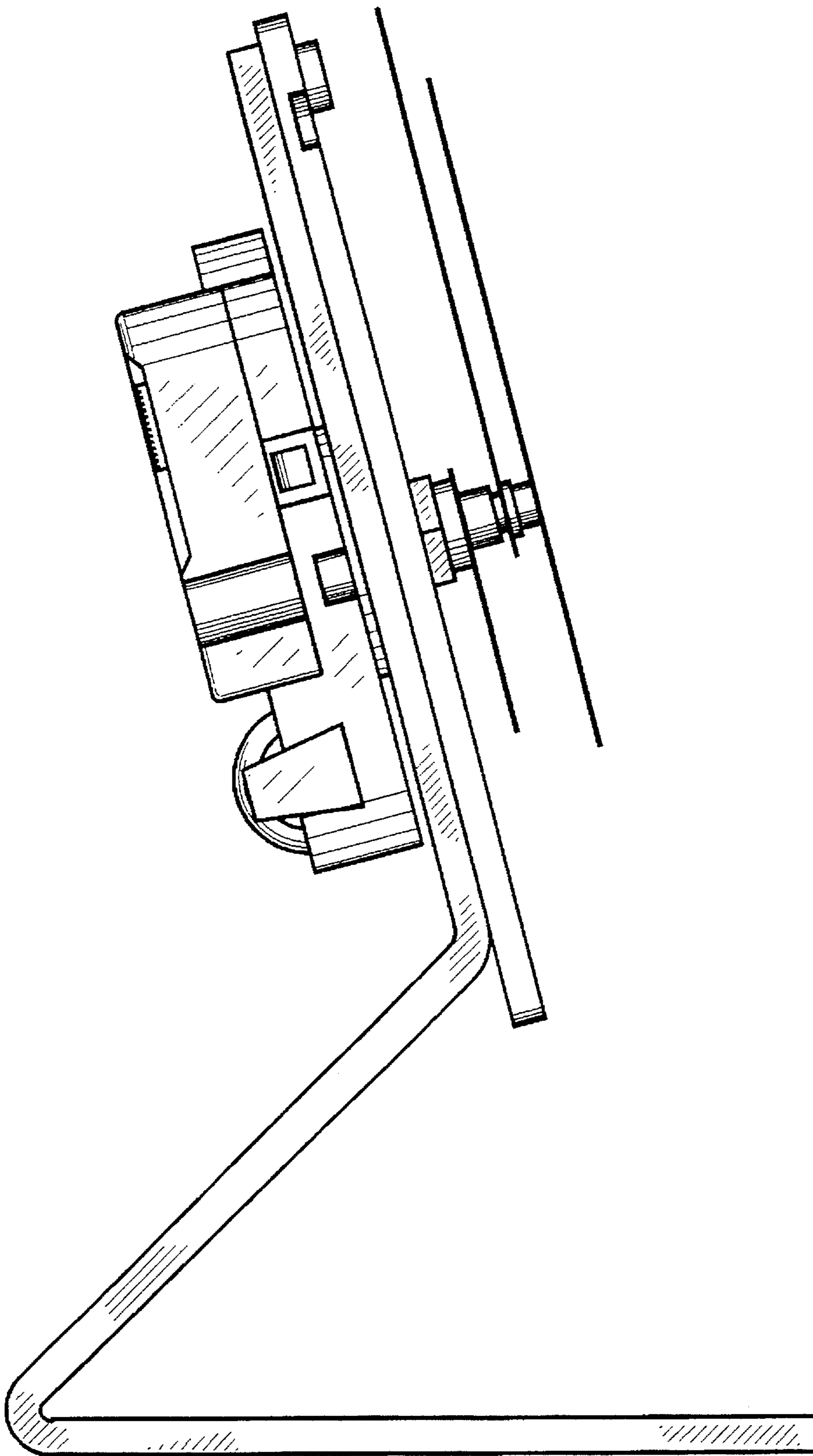


Fig. 7