



US00D378736S

United States Patent [19]

McPhilliamy et al.

[11] Patent Number: **Des. 378,736**

[45] Date of Patent: ****Apr. 8, 1997**

[54] **LIQUID DISPENSER TOP**

[75] Inventors: **Stephen J. McPhilliamy; Ingrid C. Hollrah**, both of Chicago, Ill.

[73] Assignee: **Kimberly-Clark Corporation**, Neenan, Wis.

[**] Term: **14 Years**

[21] Appl. No.: **42,937**

[22] Filed: **Aug. 21, 1995**

[52] U.S. Cl. **D9/497; D9/451**

[58] Field of Search D9/434, 447, 451, D9/441, 499, 314; D7/389, 551, 571, 579, 654, 656; D11/219, 223, 238; D21/25, 189; D23/215; 222/78, 383.1

[56] **References Cited**

U.S. PATENT DOCUMENTS

D. 169,971	7/1953	Geisel	D11/160 X
D. 255,214	6/1980	Creighton, Jr.	D9/314
D. 351,794	10/1994	Foster	D9/448
3,134,505	5/1964	Moddermo	D9/300 X
4,193,517	3/1980	Fetty et al.	222/78
4,486,975	12/1984	Harreld et al.	D21/189 X
5,301,836	4/1994	Luu	222/78
5,322,718	6/1994	Low	D9/314 X

Primary Examiner—James M. Gandy
Assistant Examiner—Cathrin B. Matta
Attorney, Agent, or Firm—Donald L. Traut

[57] **CLAIM**

The ornamental design for a liquid dispenser top, as shown and described.

DESCRIPTION

FIG. 1 is a perspective view of a liquid dispenser top showing our new design;

FIG. 2 is a top plan view of a liquid dispenser top showing our new design;

FIG. 3 is a right side view of a liquid dispenser top showing our new design;

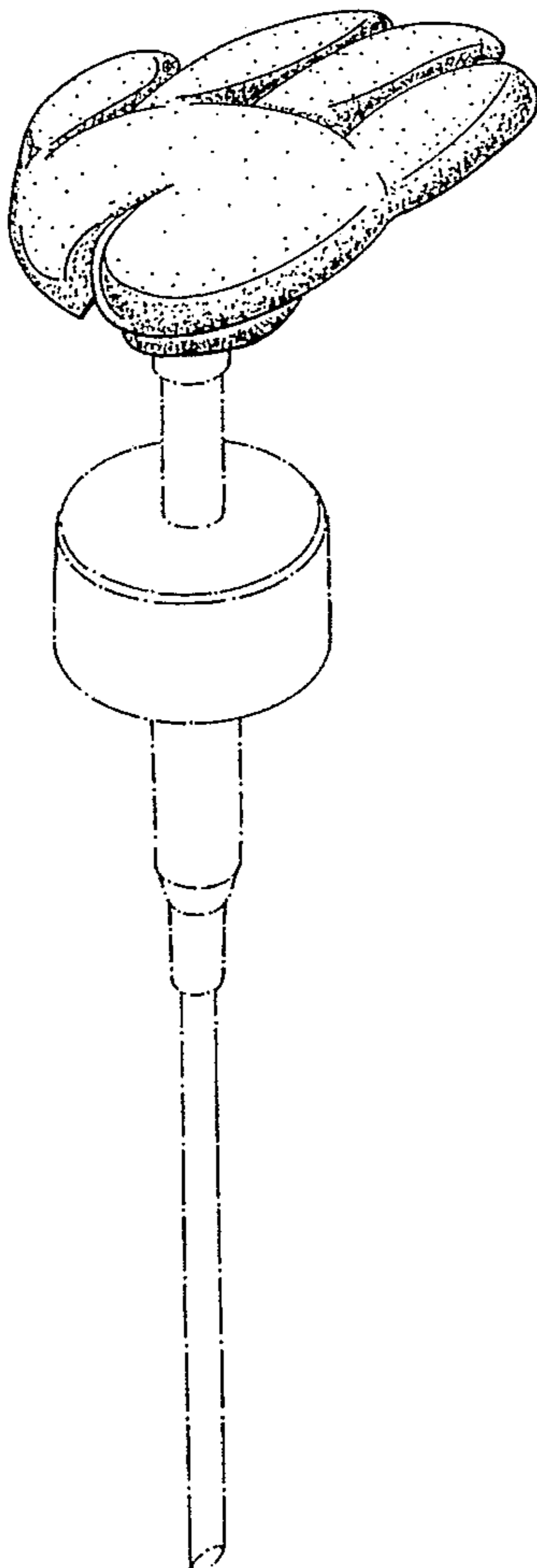
FIG. 4 is a left side view of a liquid dispenser top showing our new design;

FIG. 5 is a back end view of a liquid dispenser top showing our new design; and,

FIG. 6 is a front end view of a liquid dispenser top showing our new design.

The understructure of the liquid dispenser top forms no part of the claimed design. The broken line showing of a dispenser is for illustrative purposes only and forms no part of the claimed design.

1 Claim, 2 Drawing Sheets



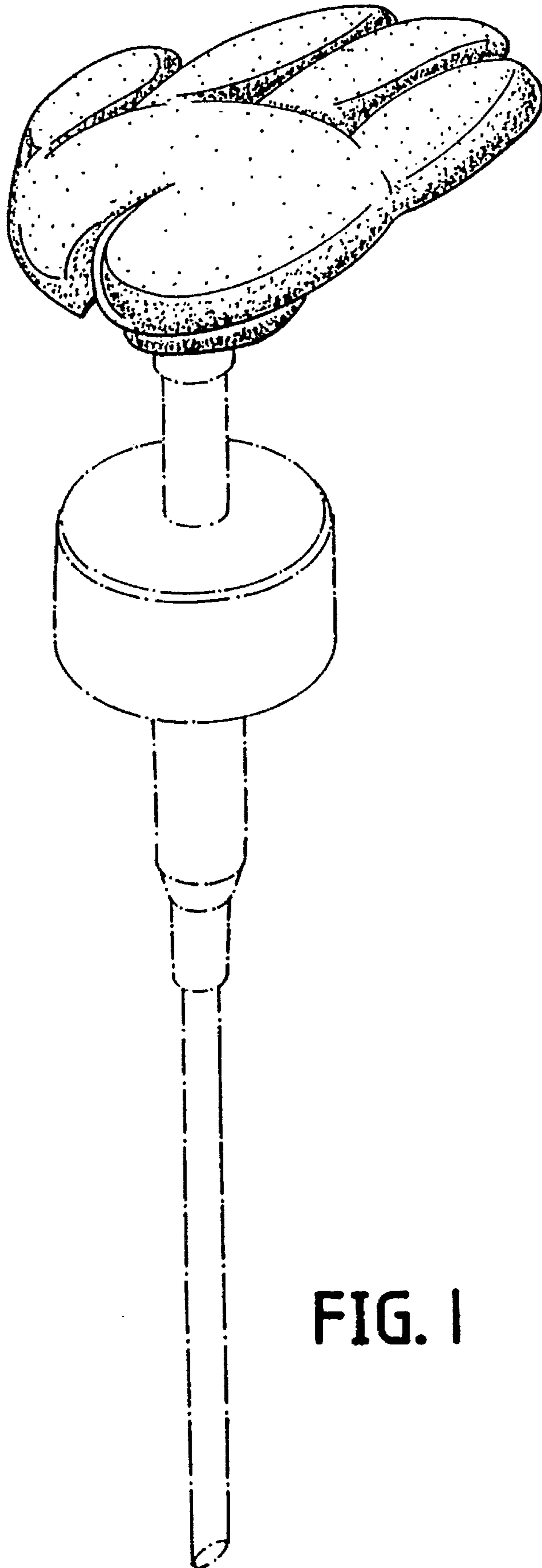


FIG. 1

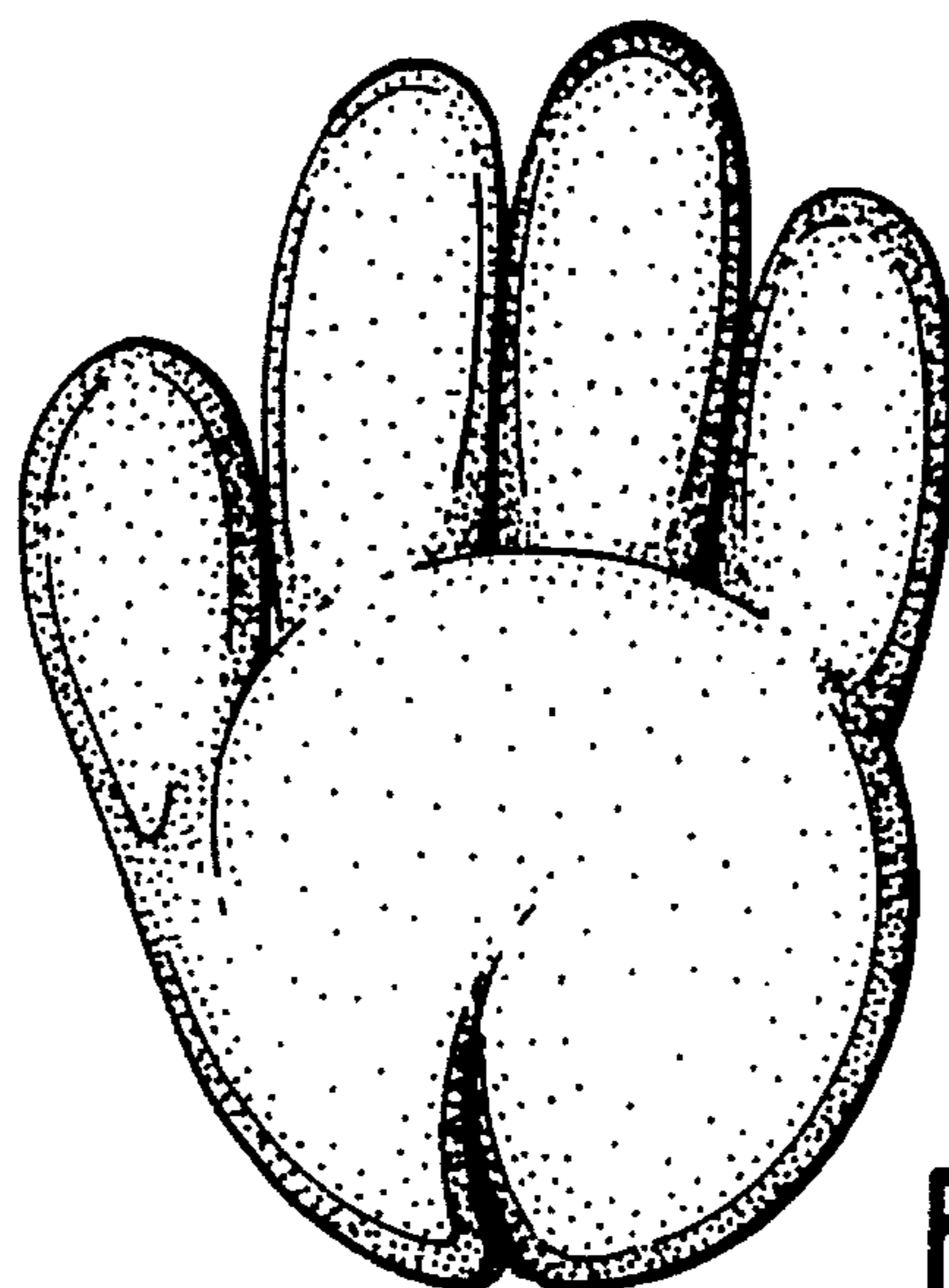


FIG. 2

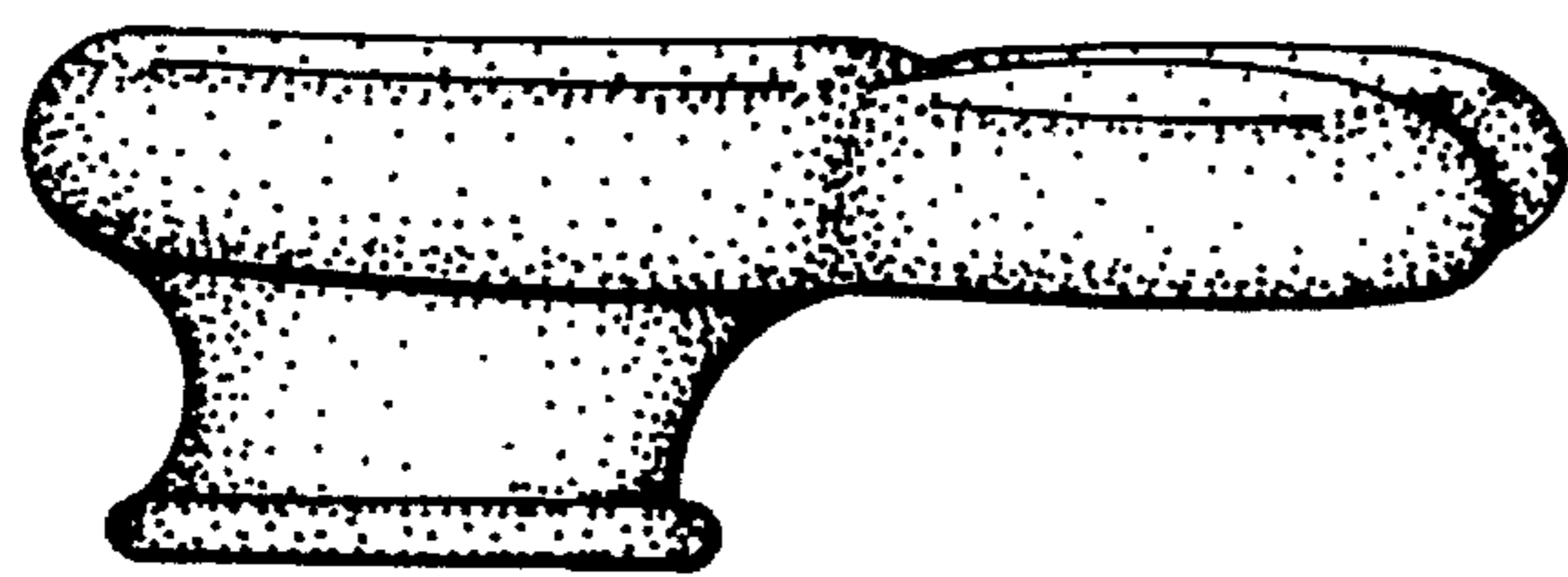


FIG. 3

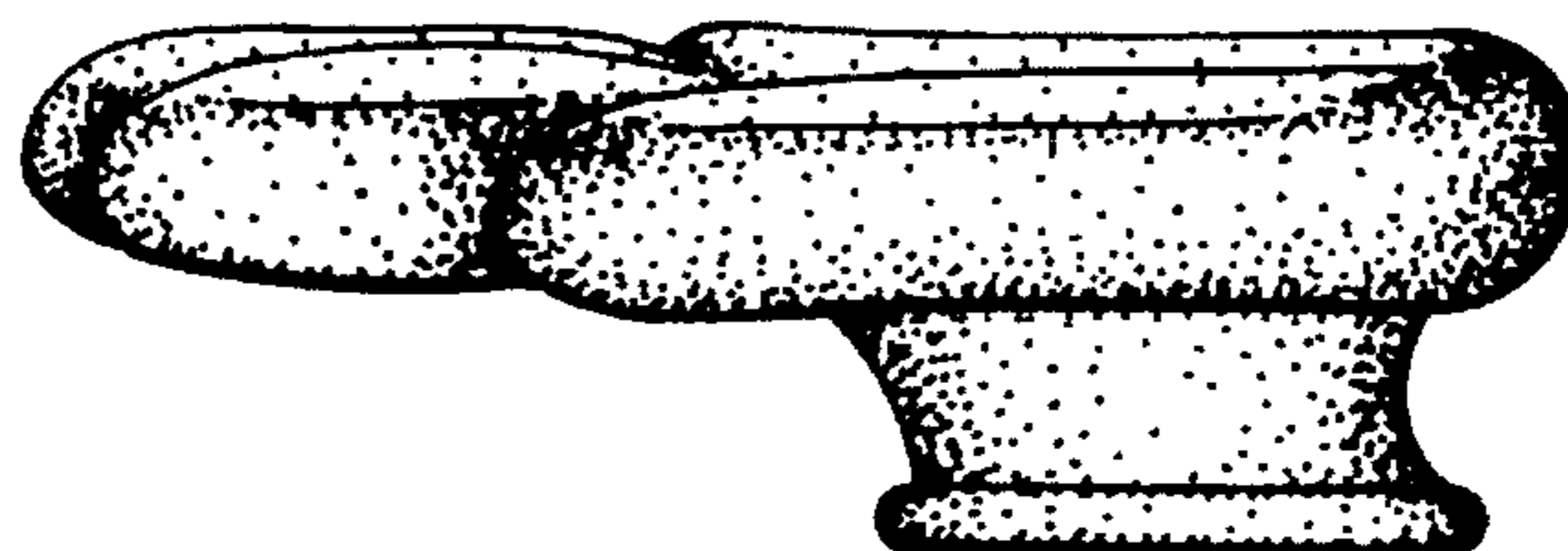


FIG. 4

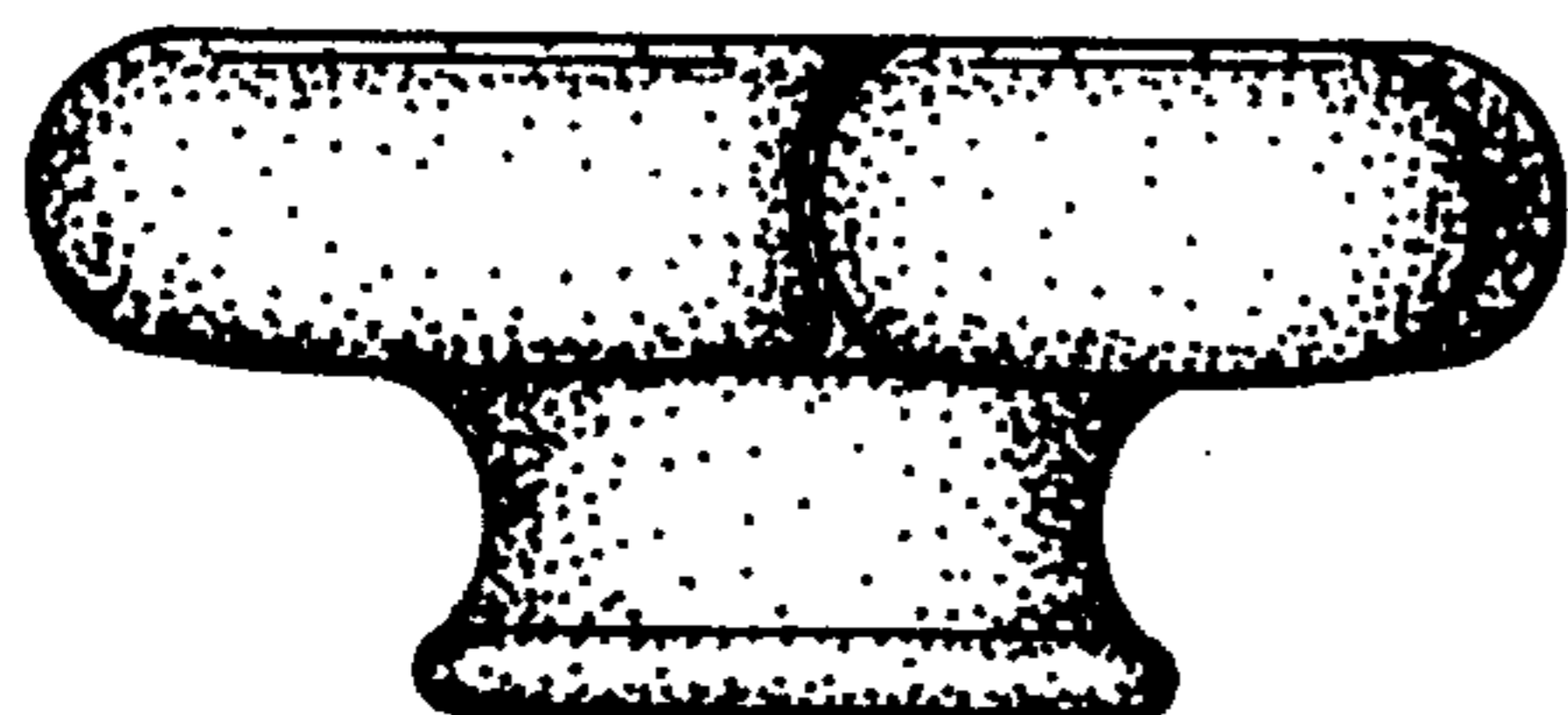


FIG. 5

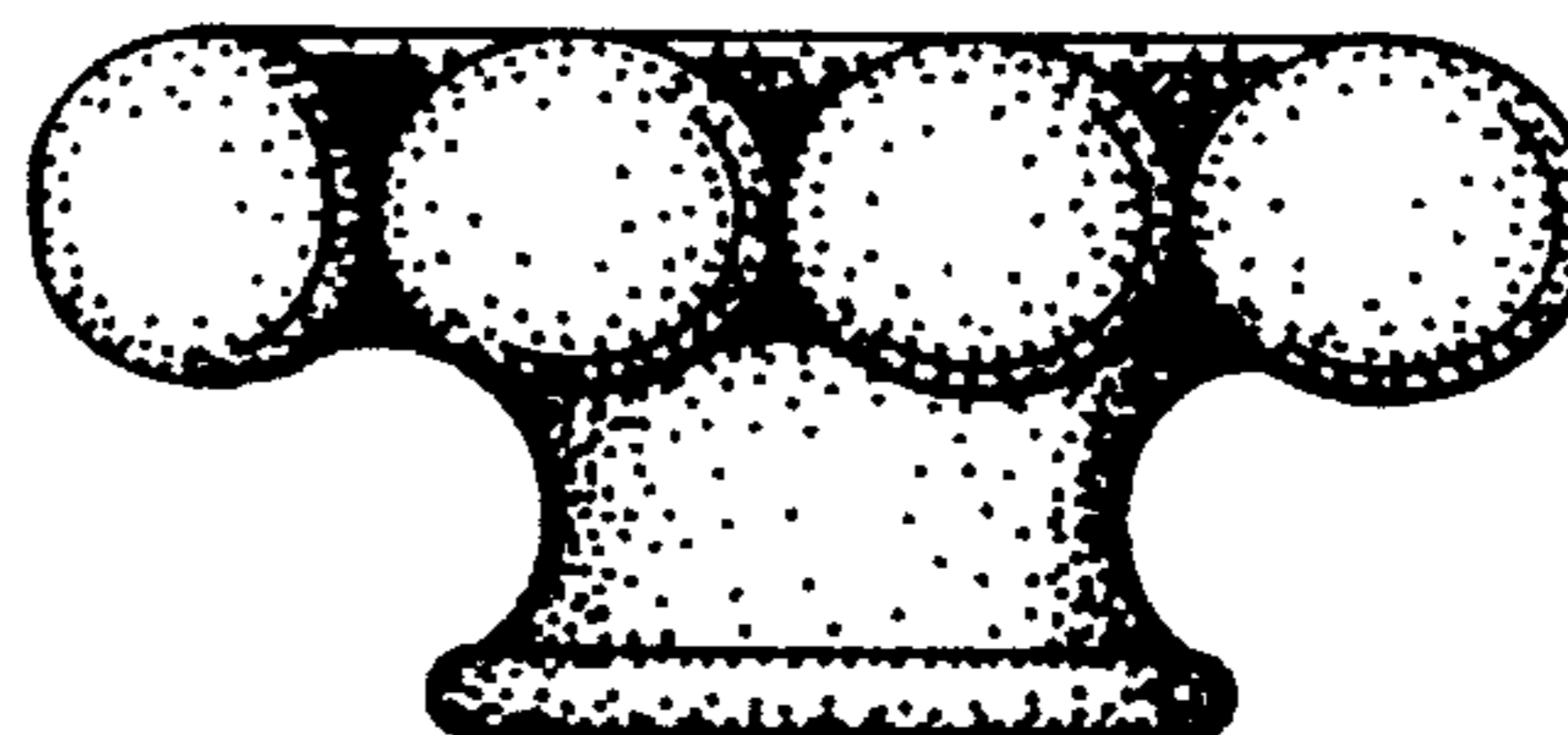


FIG. 6