



US00D378733S

# United States Patent [19]

Asaff et al.

[11] Patent Number: **Des. 378,733**

[45] Date of Patent: **\*\*Apr. 8, 1997**

[54] **SUNTAN LOTION BOTTLE**

[75] Inventors: **Jimmy W. Asaff**, Dallas; **Richard B. Bierman**, Plano, both of Tex.

[73] Assignee: **Skin Research Laboratories, Inc.**, Dallas, Tex.

[\*\*] Term: **14 Years**

[21] Appl. No.: **43,257**

[22] Filed: **Aug. 30, 1995**

[52] U.S. Cl. .... **D9/337; D9/521**

[58] Field of Search ..... D9/300, 337, 521, D9/529, 446, 543, 542, 537, 443; 215/371, 396, 398, 399; 222/210, 213; 206/806; 220/212.5, 751, 766

[56] **References Cited**

**U.S. PATENT DOCUMENTS**

- D. 163,443 5/1951 Crane ..... D9/337
- D. 273,940 5/1984 Soos et al. .... D9/436 X
- D. 279,256 6/1985 Lang ..... D9/521
- D. 284,421 7/1986 Saris ..... D9/529 X

- D. 291,281 8/1987 Danner ..... D9/337
- D. 310,325 9/1990 Moglia ..... D9/337 X
- D. 328,246 7/1992 Nottingham et al. .... D9/521 X
- D. 342,676 12/1993 Wuttke ..... D9/529
- 4,165,814 8/1979 Seel ..... 206/806 X

*Primary Examiner*—Prabhakar G. Deshmukh  
*Assistant Examiner*—Cheri Cohen  
*Attorney, Agent, or Firm*—Harris, Tucker & Hardin, P.C.

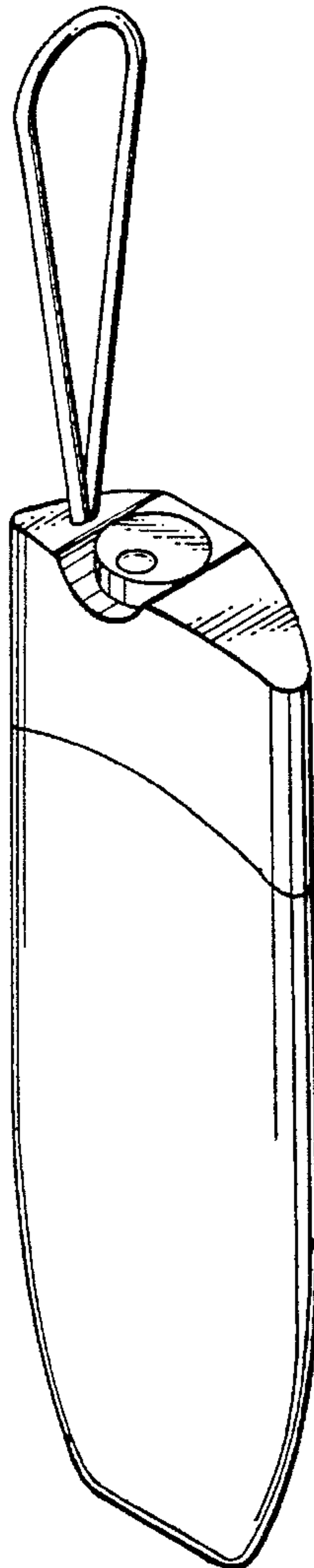
[57] **CLAIM**

The ornamental design for a suntan lotion bottle, as shown and described.

**DESCRIPTION**

FIG. 1 is a perspective view of a suntan lotion bottle showing our new design;  
FIG. 2 is a front elevation view thereof;  
FIG. 3 is a left side elevation view thereof;  
FIG. 4 is a rear elevation view thereof;  
FIG. 5 is a right side elevation view thereof;  
FIG. 6 is a top plan view thereof; and,  
FIG. 7 is a bottom plan view thereof.

**1 Claim, 2 Drawing Sheets**



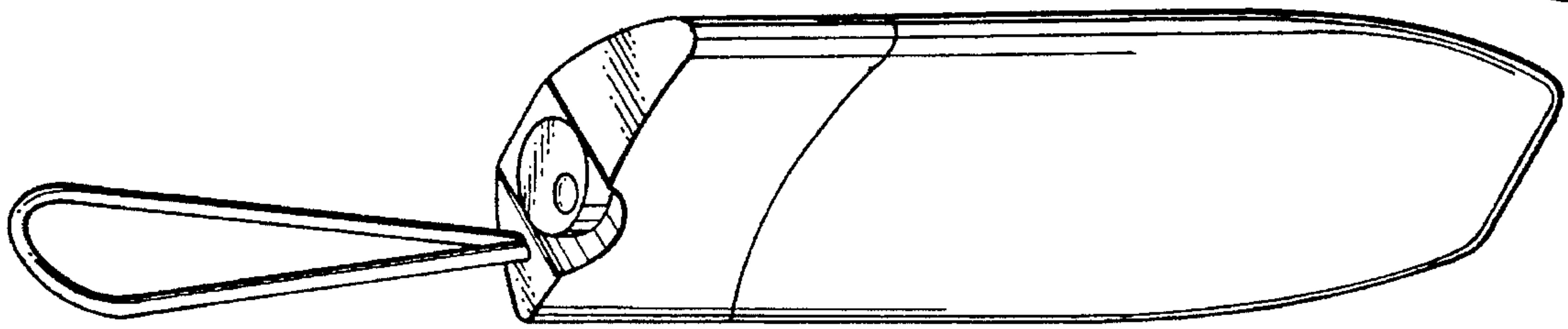


Fig. 1

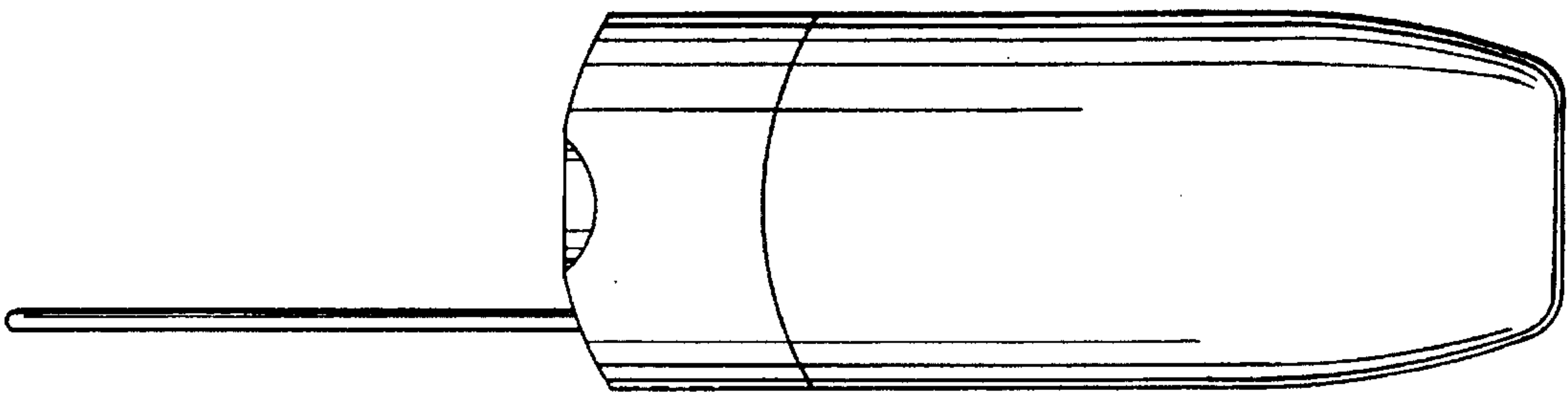


Fig. 2

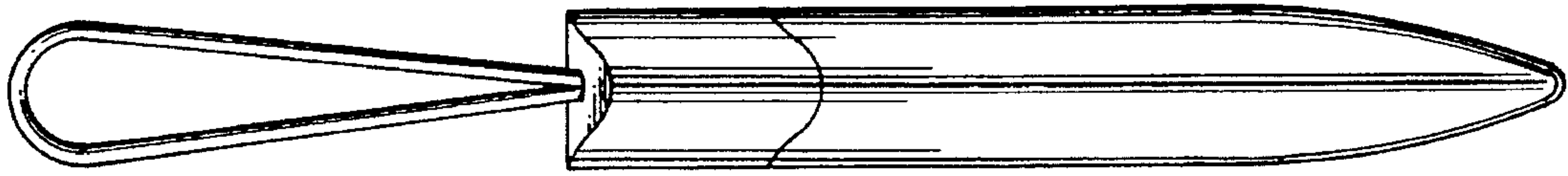


Fig. 3

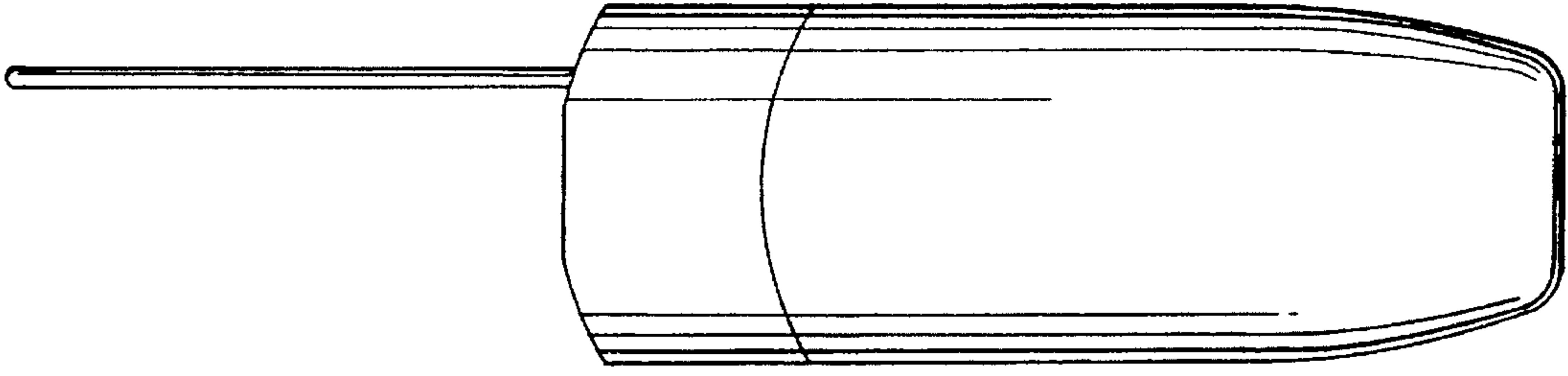
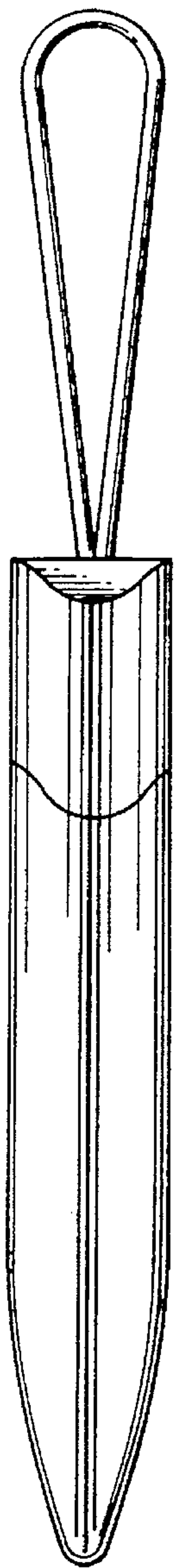
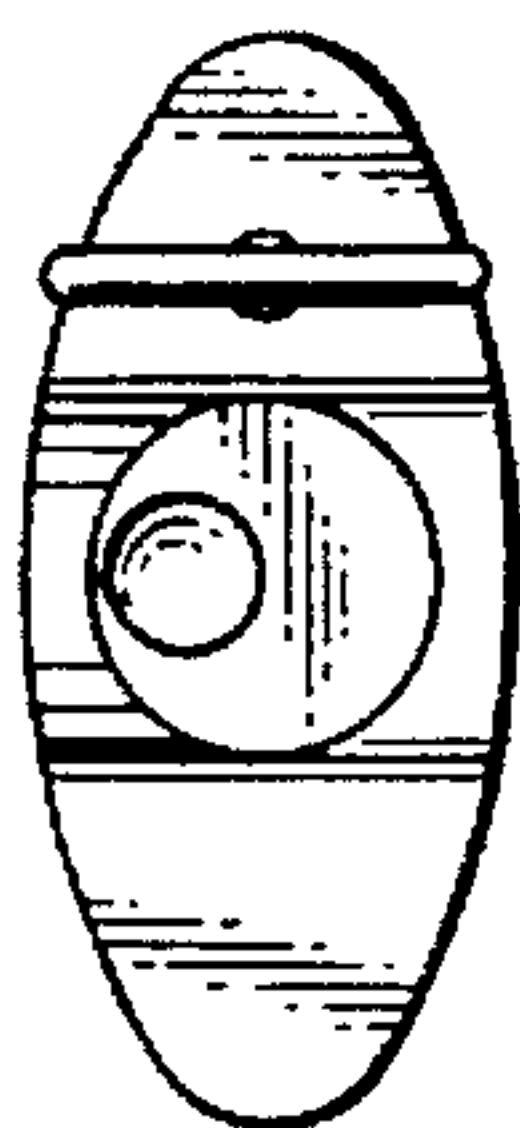


Fig. 4



**Fig. 5**



**Fig. 6**



**Fig. 7**