



US00D378731S

United States Patent [19]
Kopish

[11] **Patent Number: Des. 378,731**

[45] **Date of Patent: **Apr. 8, 1997**

[54] **WIRE MANAGEMENT CHANNEL FOR A FURNITURE SYSTEM**

[75] Inventor: **Andrew J. Kopish**, Green Bay, Wis.

[73] Assignee: **Krueger International, Inc.**, Green Bay, Wis.

[**] Term: **14 Years**

[21] Appl. No.: **40,066**

[22] Filed: **Jun. 9, 1995**

[52] U.S. Cl. **D8/356**

[58] Field of Search D8/356; D25/119; 174/101; 52/220.7; D6/491-49; D13/154

[56] **References Cited**

U.S. PATENT DOCUMENTS

D. 258,279	2/1981	Moore	D25/119	X
D. 295,521	5/1988	Mockett	D25/119	X
5,336,849	8/1994	Whitney	174/101	X

OTHER PUBLICATIONS

Dahlstrom Catalog, 1967, p. 154, pressed shape, item X1108 circled at right of page (Located in examiner's office.).

Primary Examiner—Holly H. Baynham

Attorney, Agent, or Firm—Andrus, Scales, Starke & Sawall

[57] **CLAIM**

The ornamental design of a wire management channel for a furniture system, as shown and described.

DESCRIPTION

FIG. 1 is a partial isometric view of a wire management channel for a furniture system incorporating my new design; FIG. 2 is a reduced top plan view thereof; FIG. 3 is a right side elevation view thereof, with the left side elevation view being identical; and, FIG. 4 is an enlarged end elevation view thereof, with the opposite end being a mirror image.

1 Claim, 1 Drawing Sheet

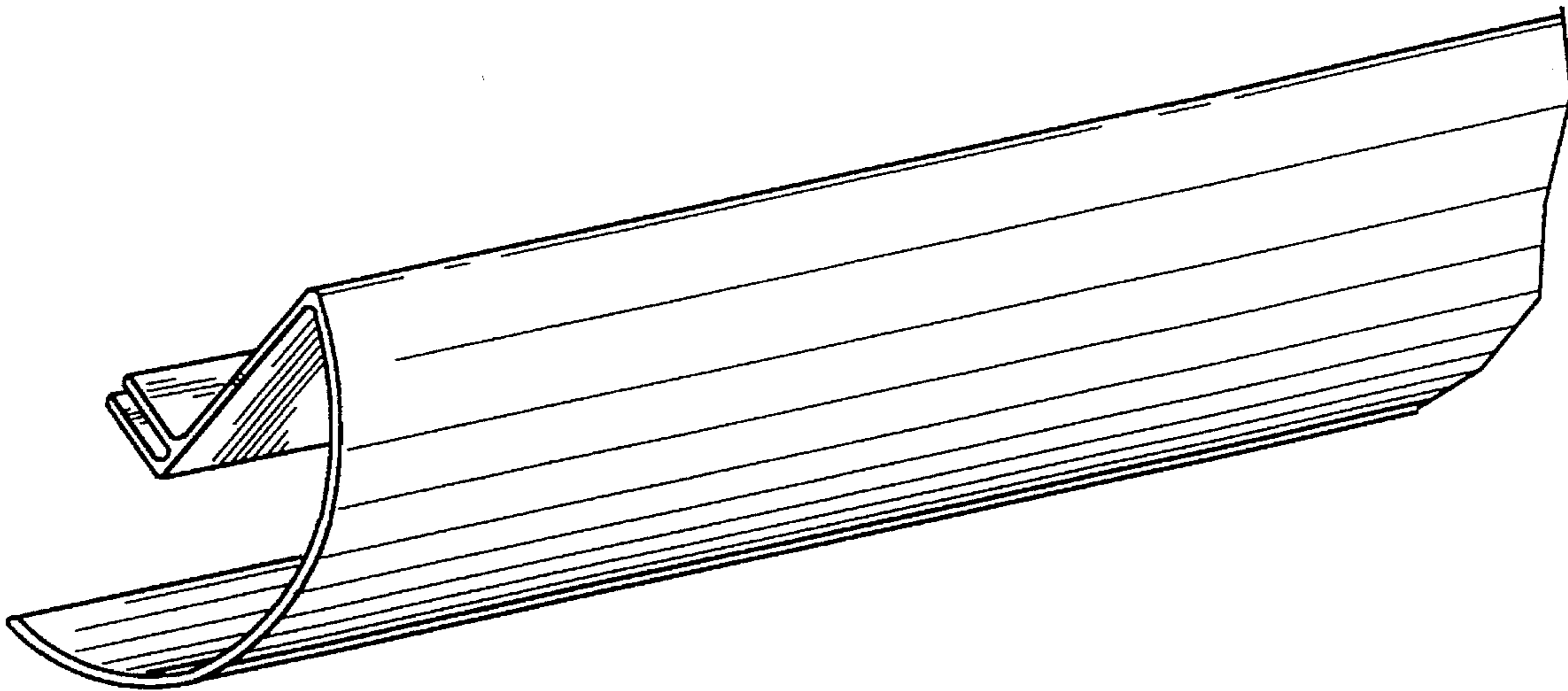


FIG. 1

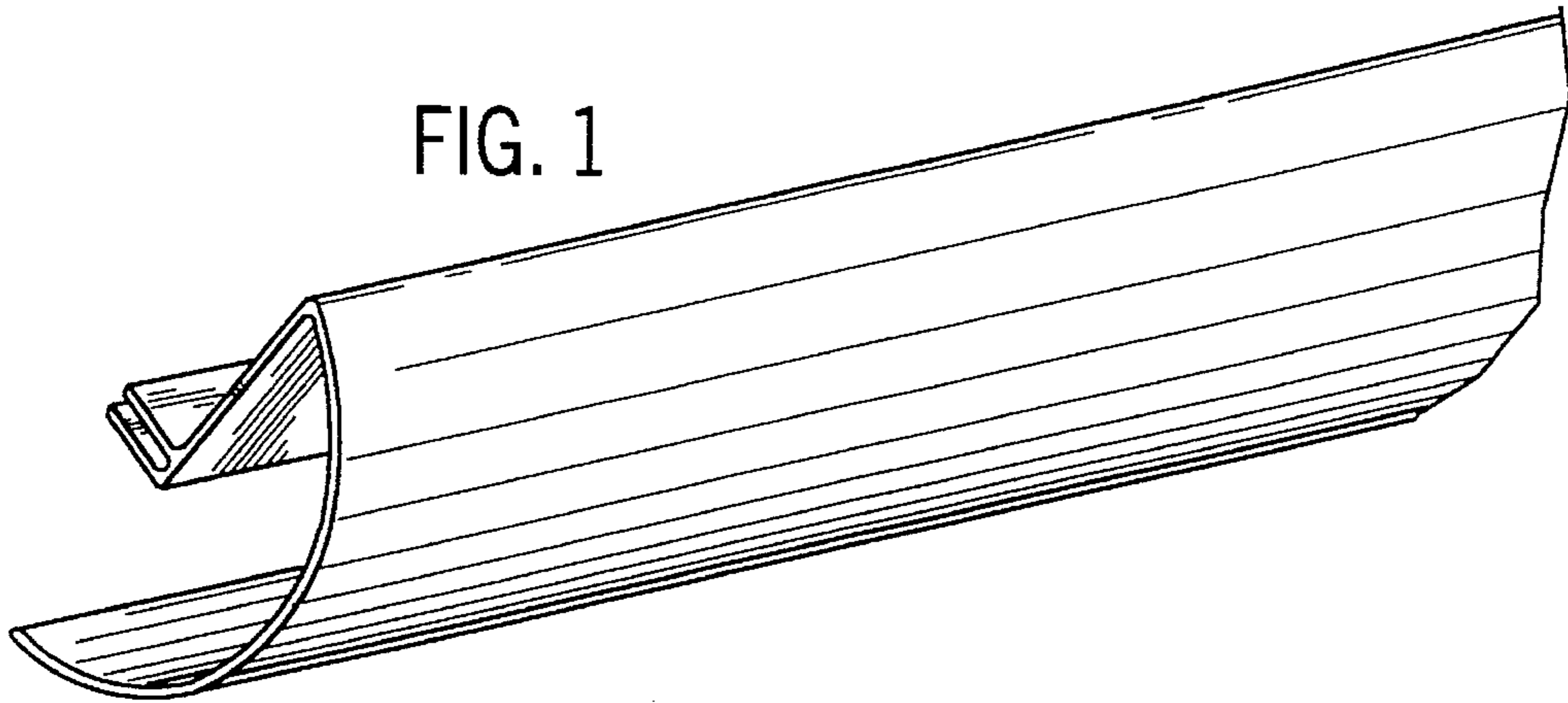


FIG. 2

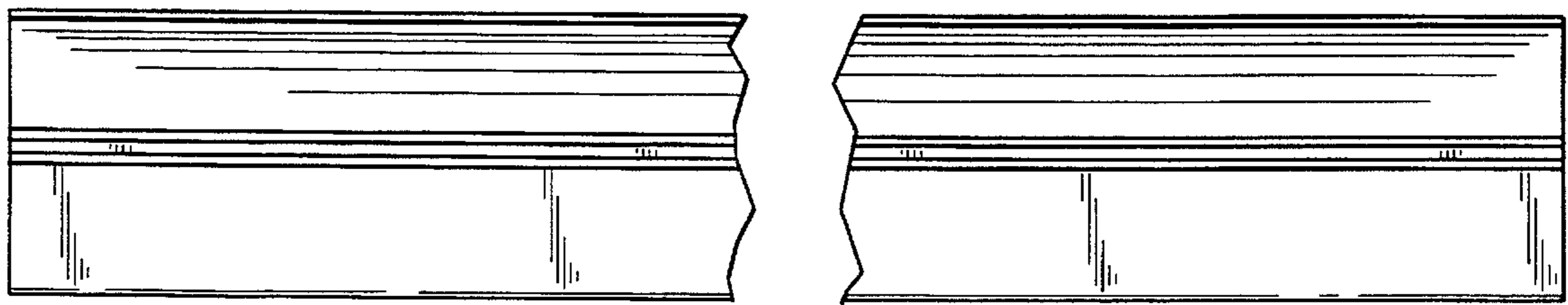


FIG. 3

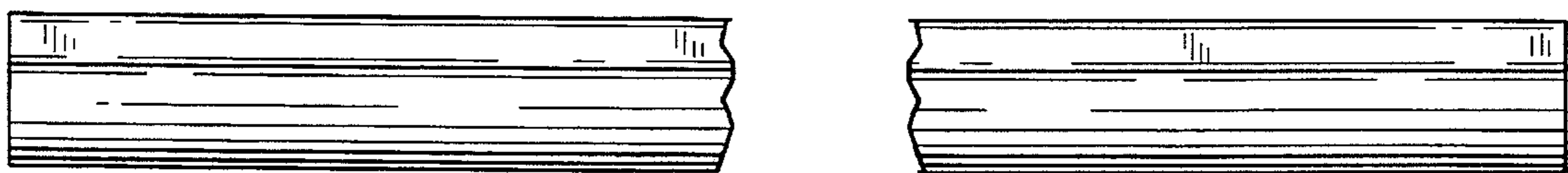


FIG. 4

