



US00D378728S

United States Patent [19]

Seith et al.

[11] Patent Number: **Des. 378,728**

[45] Date of Patent: ****Apr. 8, 1997**

[54] **RANDOM ORBITAL SANDER WITH DUST PICKUP**

4,531,329 7/1985 Huber 451/344

[75] Inventors: **Warren A. Seith**, Whispering Pines;
Troy B. Mutter, Cary, both of N.C.

[73] Assignee: **Ingersoll-Rand Company**, Woodcliff Lake, N.J.

[**] Term: **14 Years**

[21] Appl. No.: **47,990**

[22] Filed: **Dec. 18, 1995**

[52] U.S. Cl. **D8/62**

[58] Field of Search D8/61, 62, 68;
D15/124; 81/54, 57.11, 57.13, 57.14; 173/169,
170; 408/124, 125; 451/344, 356, 357,
359, 414, 456

[56] **References Cited**

U.S. PATENT DOCUMENTS

D. 334,126	3/1993	Huber et al.	D8/62
D. 350,266	9/1994	Huber et al.	D8/62
D. 350,886	9/1994	Huber et al.	D8/62
D. 351,976	11/1994	Morey et al.	D8/62

OTHER PUBLICATIONS

ARO .3 HP Vacuum Pick-up Random Orbital Sander Model #8447-B5-V, ARO Industrial Air Tools Catalog #8475-T, p. 22.

Primary Examiner—B. J. Bullock
Assistant Examiner—Robert M. Spear
Attorney, Agent, or Firm—Walter C. Vliet

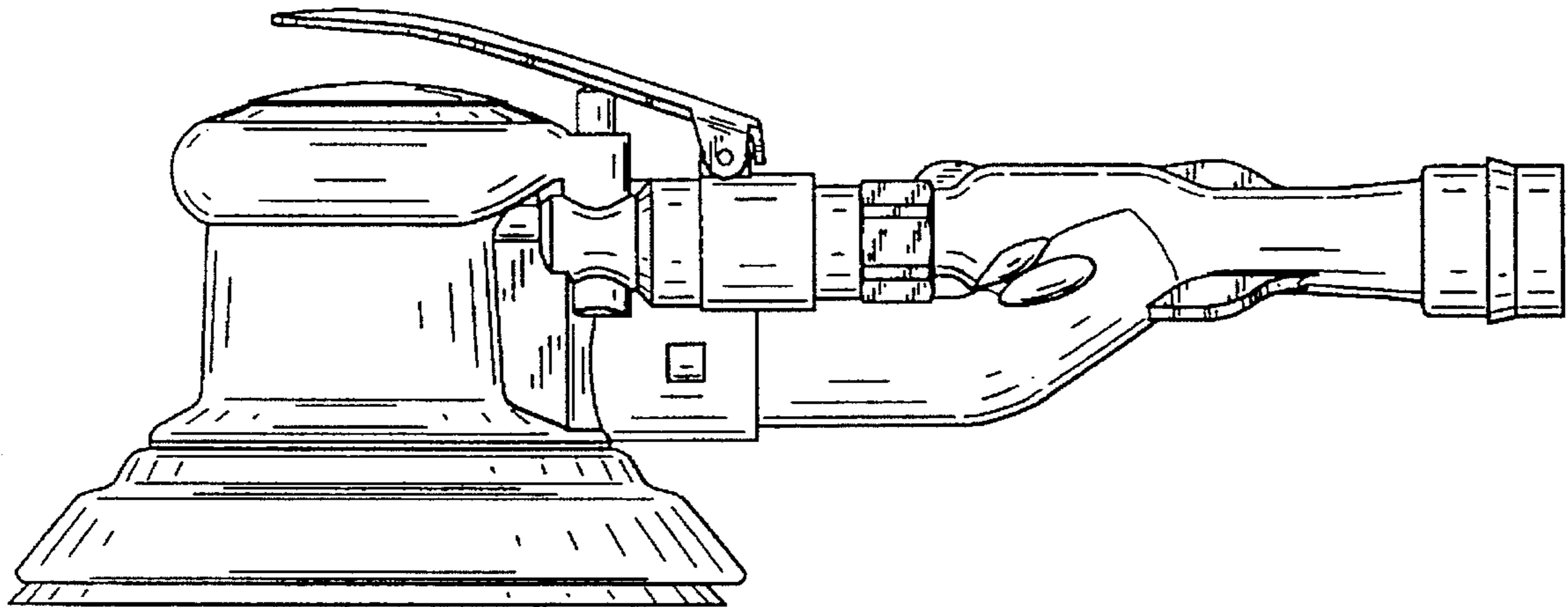
[57] **CLAIM**

The ornamental design for a random orbital sander with dust pickup, as shown.

DESCRIPTION

FIG. 1 is a top plan view of a random orbital sander with dust pickup according to the present invention; FIG. 2 is a right side elevation view thereof; FIG. 3 is a bottom view thereof; FIG. 4 is a left side elevation view thereof; FIG. 5 is a front elevation view thereof; and, FIG. 6 is a rear elevation view thereof.

1 Claim, 2 Drawing Sheets



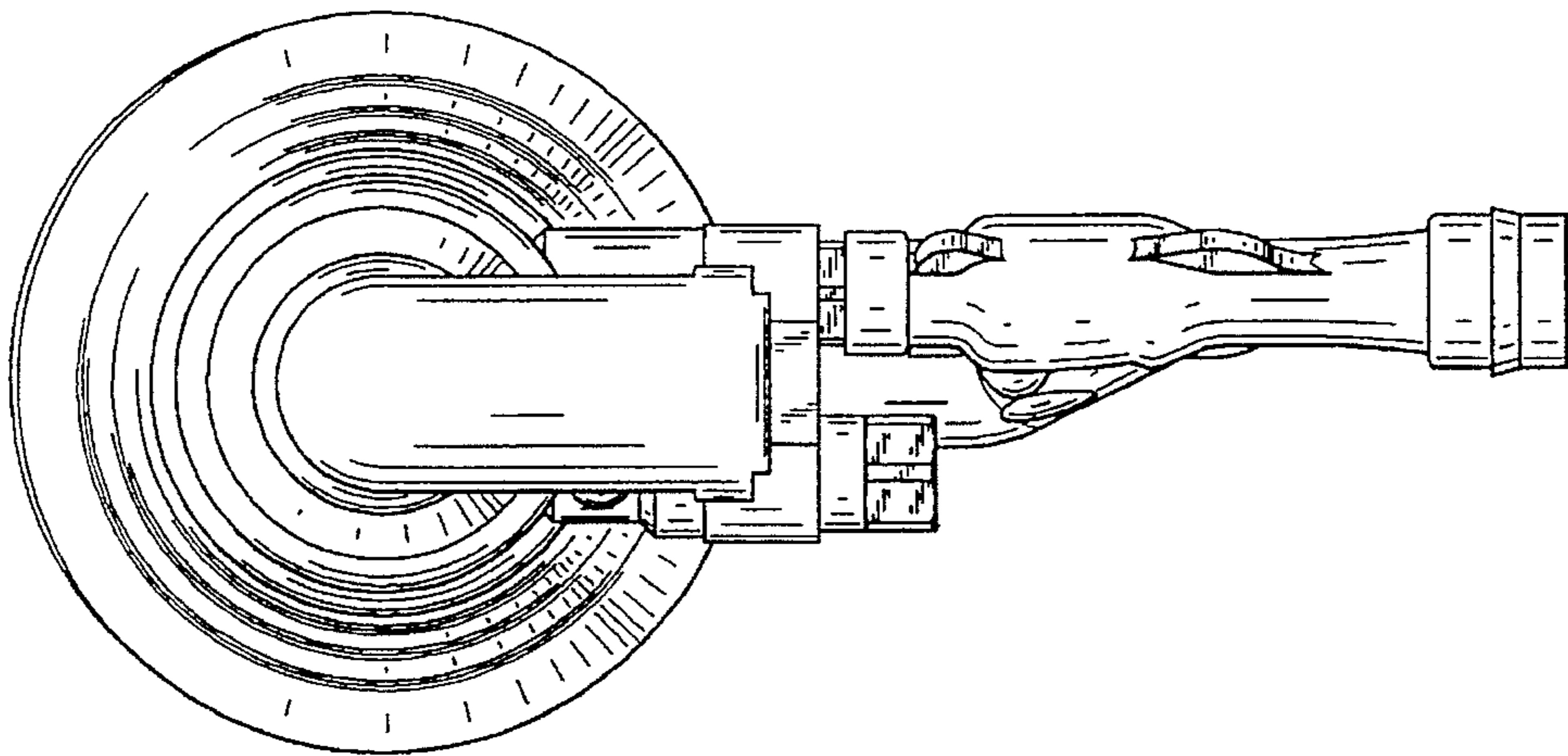


FIG. 1

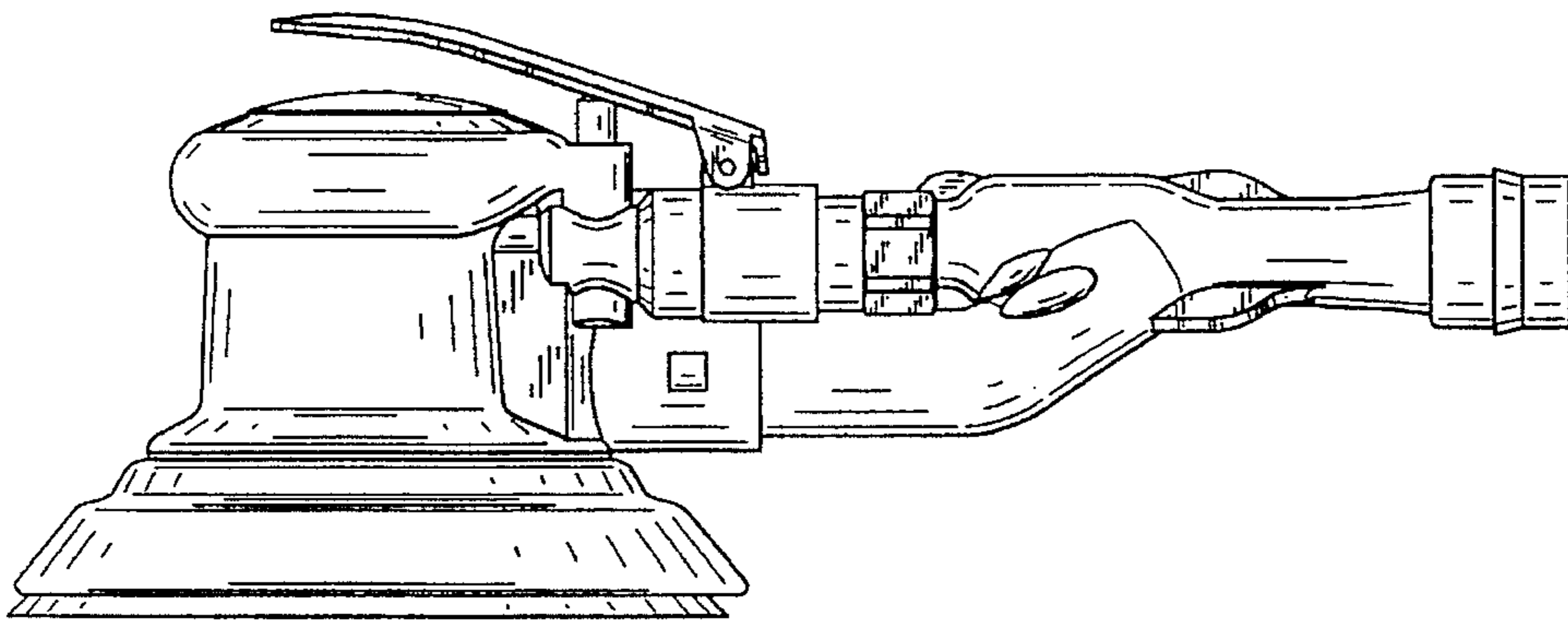


FIG. 2

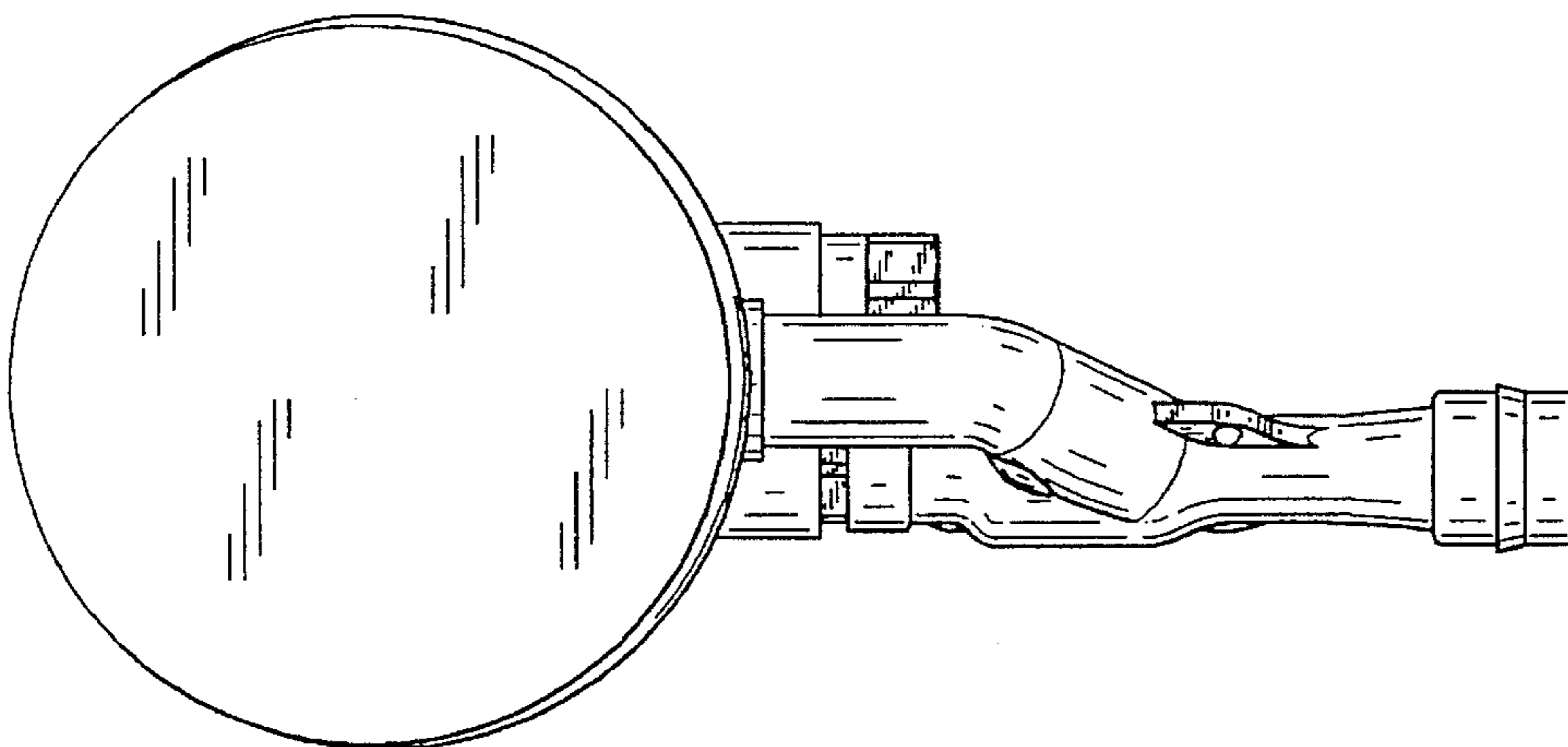


FIG. 3

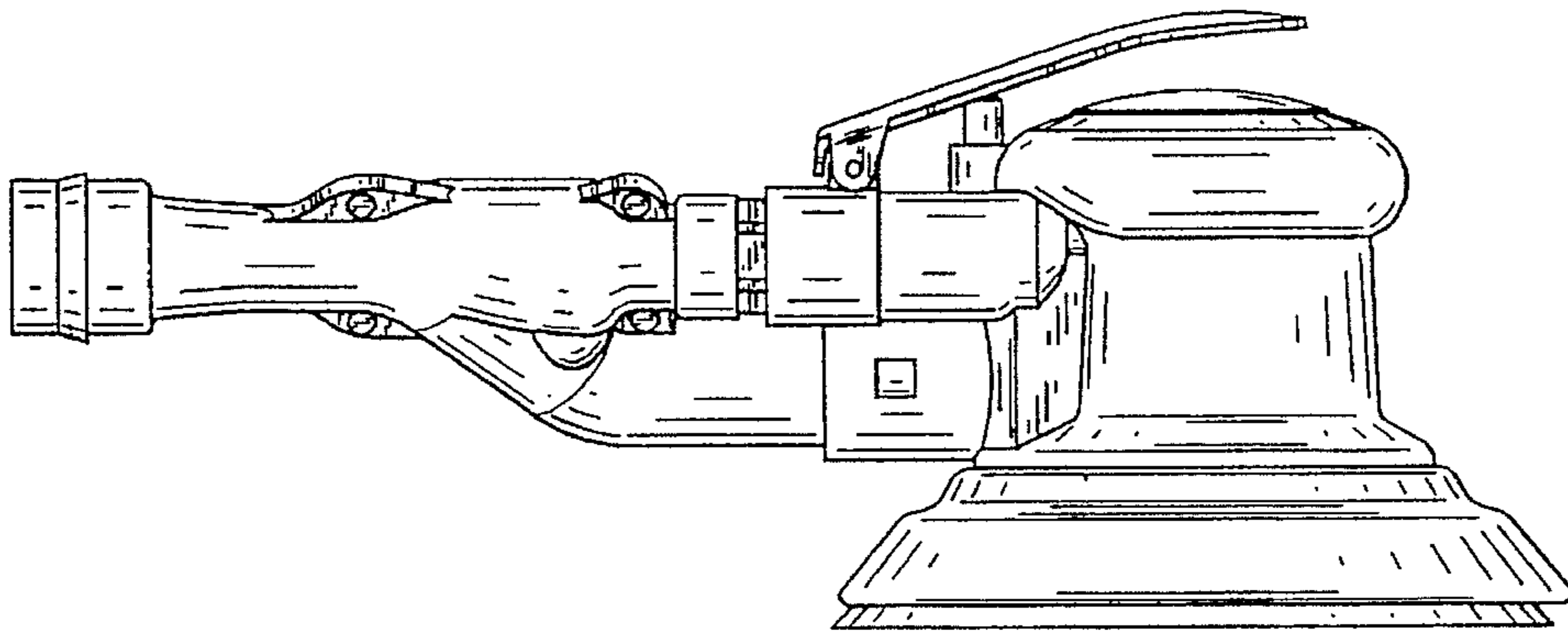


FIG. 4

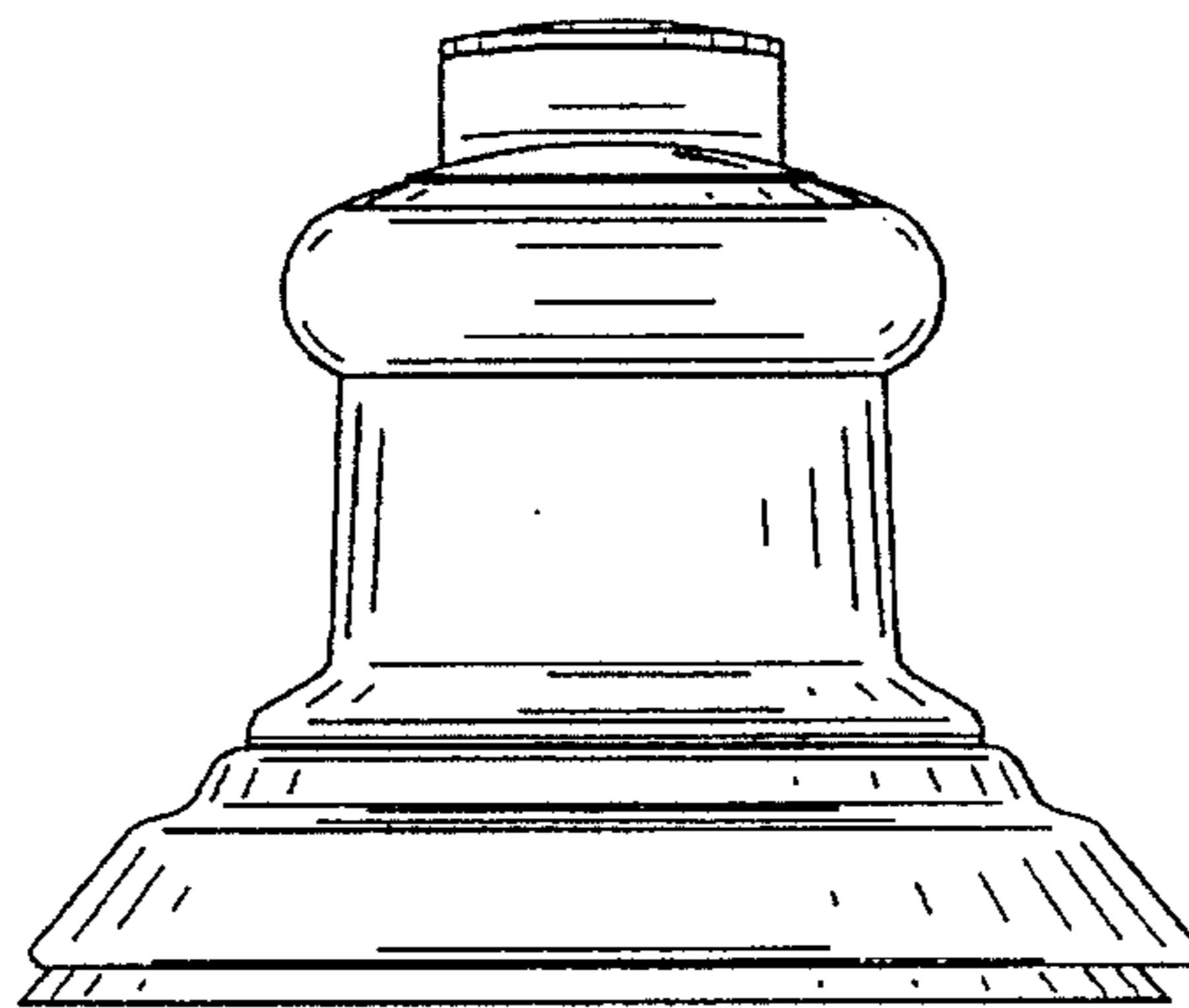


FIG. 5

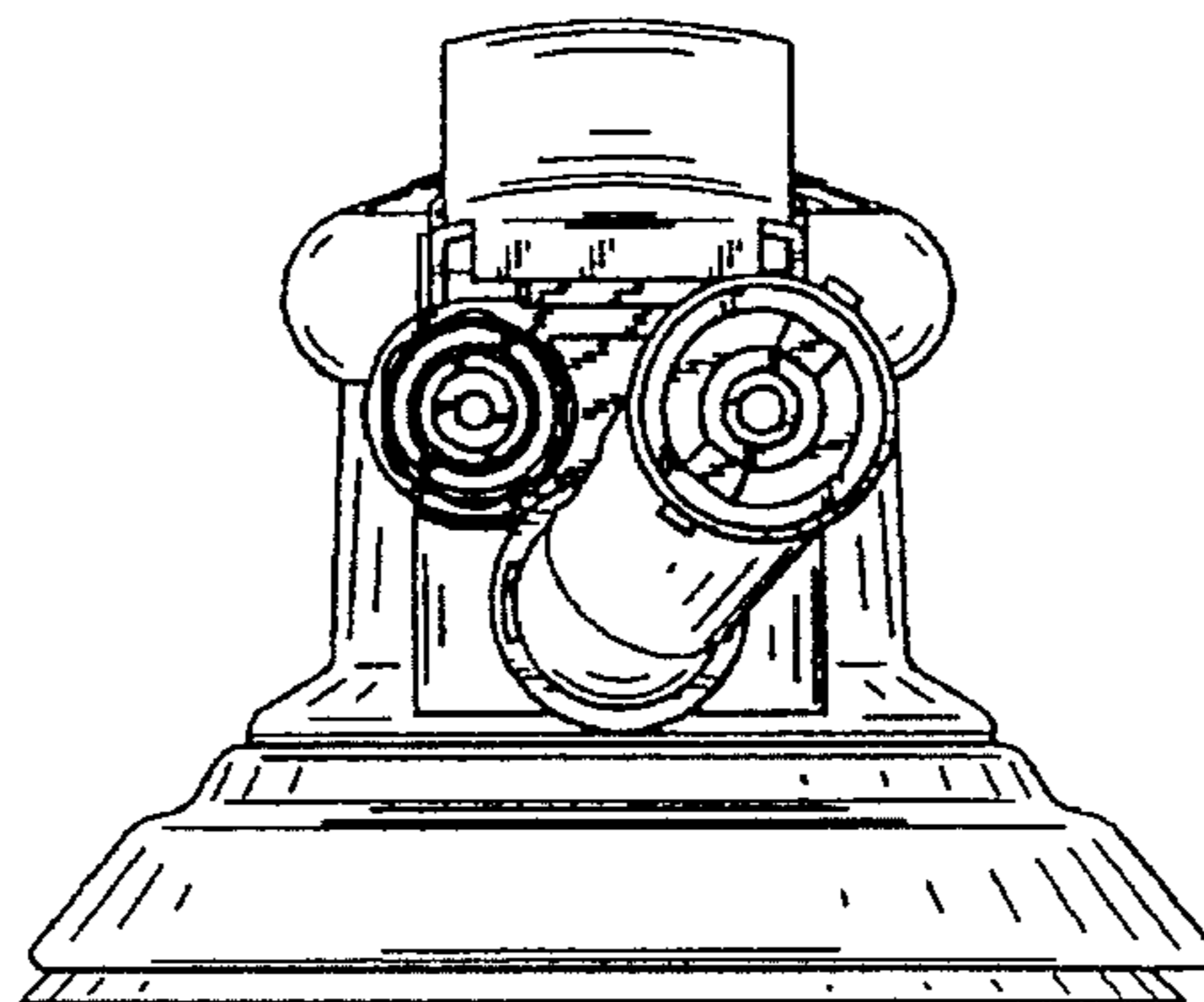


FIG. 6