



US00D378727S

United States Patent [19] Kikuchi

[11] **Patent Number: Des. 378,727**
[45] **Date of Patent: **Apr. 8, 1997**

[54] **ROTARY TOOL**

[75] Inventor: **Naoki Kikuchi**, Chandler, Ariz.

[73] Assignee: **Ryobi North America**, Easley, S.C.

[**] Term: **14 Years**

5,020,281 6/1991 Neff .
5,199,833 4/1993 Fehrle et al. .
5,251,406 10/1993 Kirn .
5,339,572 8/1994 Eicher .
5,354,246 10/1994 Gotman .
5,372,420 12/1994 Van Deursen et al. .

[21] Appl. No.: **41,877**

[22] Filed: **Jul. 25, 1995**

[52] **U.S. Cl.** **D8/61; D8/62**

[58] **Field of Search** **D8/61, 62, 68, D8/70; D18/14; D24/146; 81/57.11, 57.13, 57.14, 469; 173/170, 169**

OTHER PUBLICATIONS

Dremel "Freewheeler" Cordless Moto-Tool, D.I.Y. Retailing Magazine, Apr. 1988, p. 2, Copy located in Class D8/70 non-patent literature.
Official Gaette, Jul. 14, 1992, Abstract, Patent No. 327,827.
Official Gazette, Jul. 9, 1985, Abstract, Patent No. 279,543.
Hong Kong Enterprise, Jul. 1988, Brochure, p. 58.
Brochure For Cordless Screwdriver, D.I.Y. Retailing Magazine, Feb. 1988, p. 113.
EC & M Jun. 1988, p. 94, Product News.
3 Pages of a Brochure, no date given.

[56] **References Cited**

U.S. PATENT DOCUMENTS

| | | | | |
|------------|---------|-----------------|-------|---------|
| D. 111,234 | 9/1938 | Albertson | | D8/61 |
| D. 144,608 | 5/1946 | Collura | . | |
| D. 161,719 | 1/1951 | Thomson | | D8/61 |
| D. 206,459 | 12/1966 | Landell et al. | . | |
| D. 275,444 | 9/1984 | Totsu | . | |
| D. 291,581 | 8/1987 | Adams | | D18/14 |
| D. 301,198 | 5/1989 | Hoshino et al. | . | |
| D. 301,496 | 6/1989 | Yonesawa et al. | . | |
| D. 302,786 | 8/1989 | Fushiya et al. | . | |
| D. 323,274 | 1/1992 | Sasaki et al. | . | |
| D. 323,275 | 1/1992 | Sasaki et al. | . | |
| D. 323,961 | 2/1992 | Fushiya et al. | . | |
| D. 325,857 | 5/1992 | Hasegawa et al. | . | |
| D. 346,729 | 5/1994 | Schaefer et al. | . | |
| D. 350,263 | 9/1994 | Maruyama | . | |
| D. 350,885 | 9/1994 | Sperling et al. | . | |
| 3,440,861 | 4/1969 | Oehlerking | | 173/170 |
| 3,602,318 | 8/1971 | Slany | . | |
| 3,827,510 | 8/1974 | Mazepa | . | |
| 4,268,233 | 5/1981 | Fernström | . | |
| 4,905,423 | 3/1990 | van Laere | . | |
| 4,913,242 | 4/1990 | Lo | . | |

Primary Examiner—James M. Gandy
Assistant Examiner—Robert M. Spear
Attorney, Agent, or Firm—Brooks & Kushman P.C.

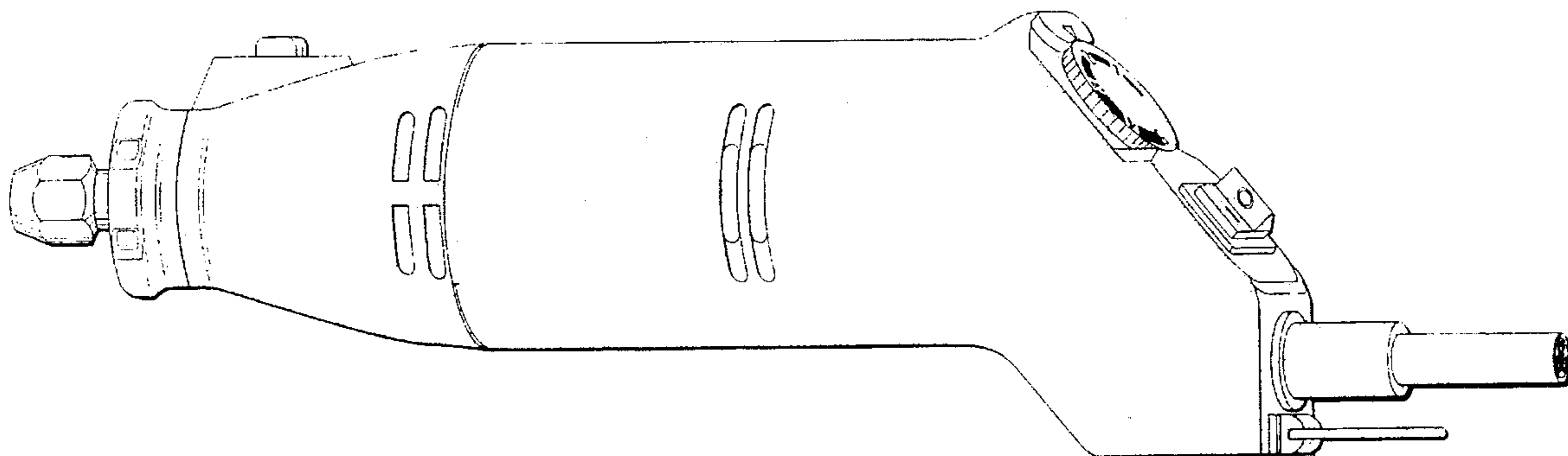
[57] **CLAIM**

The ornamental design for a rotary tool, as shown and described.

DESCRIPTION

FIG. 1 is a perspective view of a rotary tool showing our new design;
FIG. 2 is a left side elevational view;
FIG. 3 is a right side elevational view;
FIG. 4 is a top plan view;
FIG. 5 is a bottom plan view;
FIG. 6 is a front elevational view; and,
FIG. 7 is a rear elevational view.

1 Claim, 3 Drawing Sheets



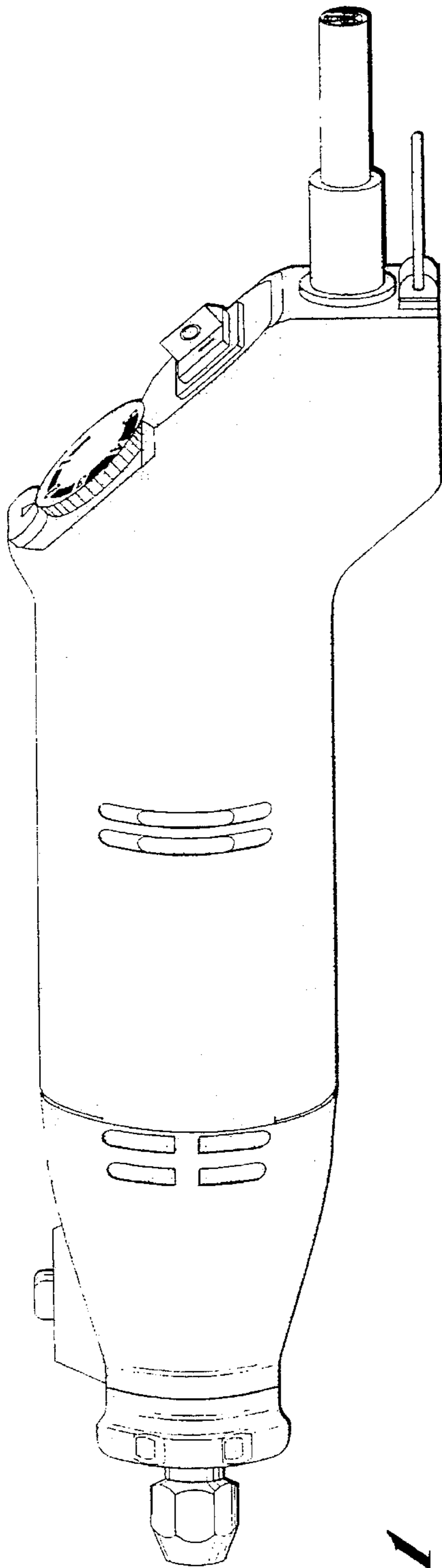


Fig. 1

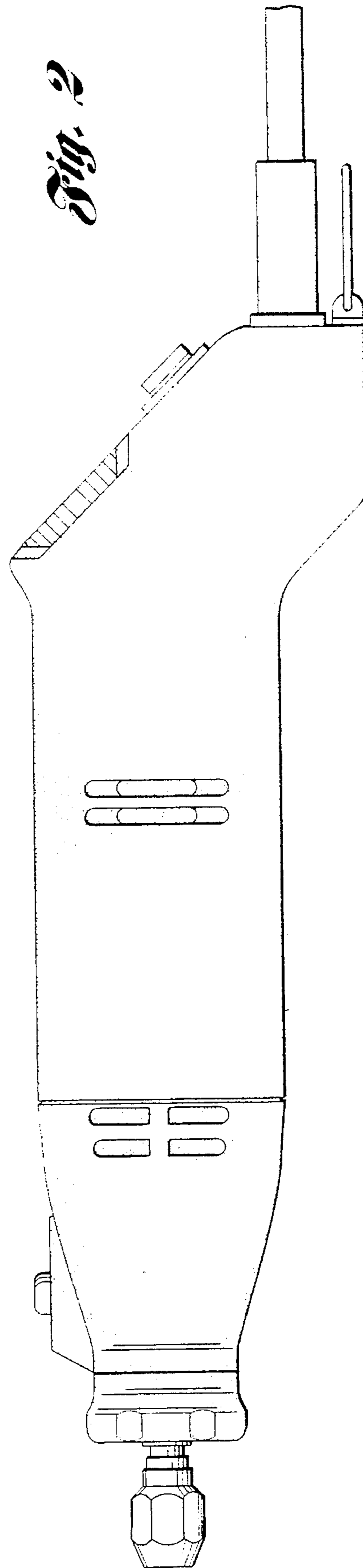


Fig. 2

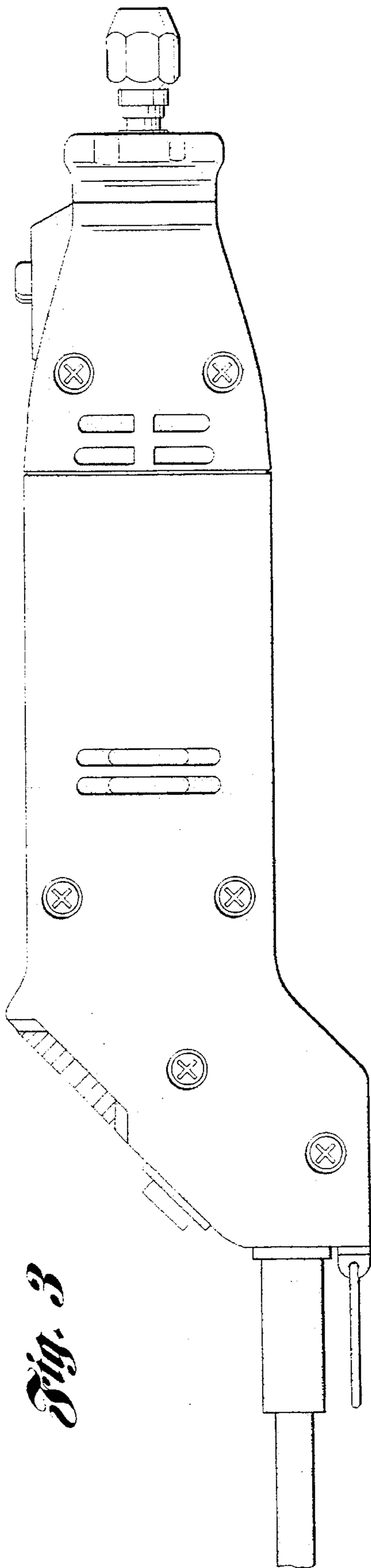
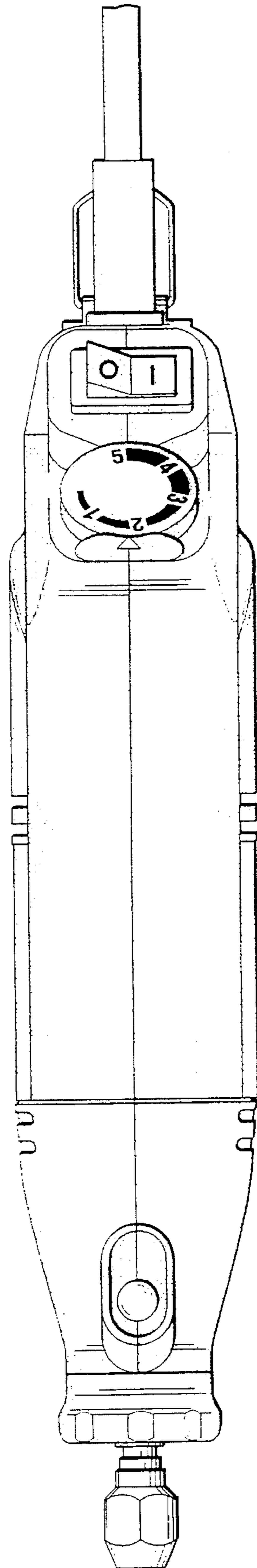


Fig. 3

Fig. 4



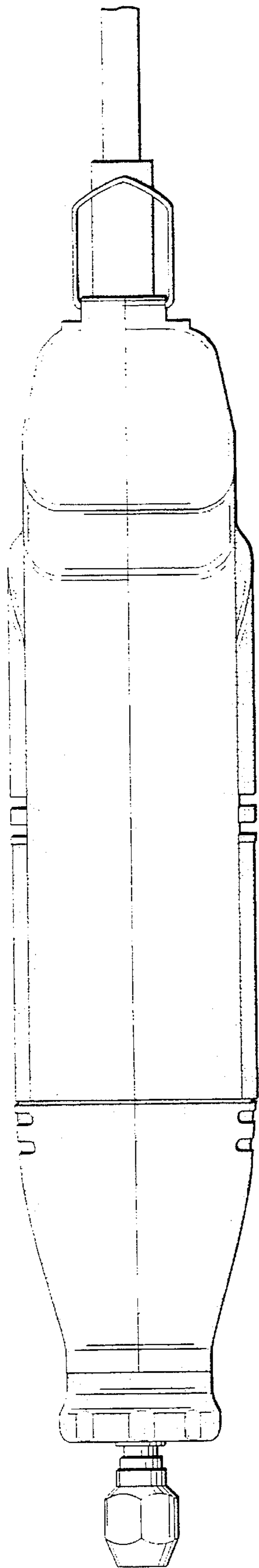


Fig. 5

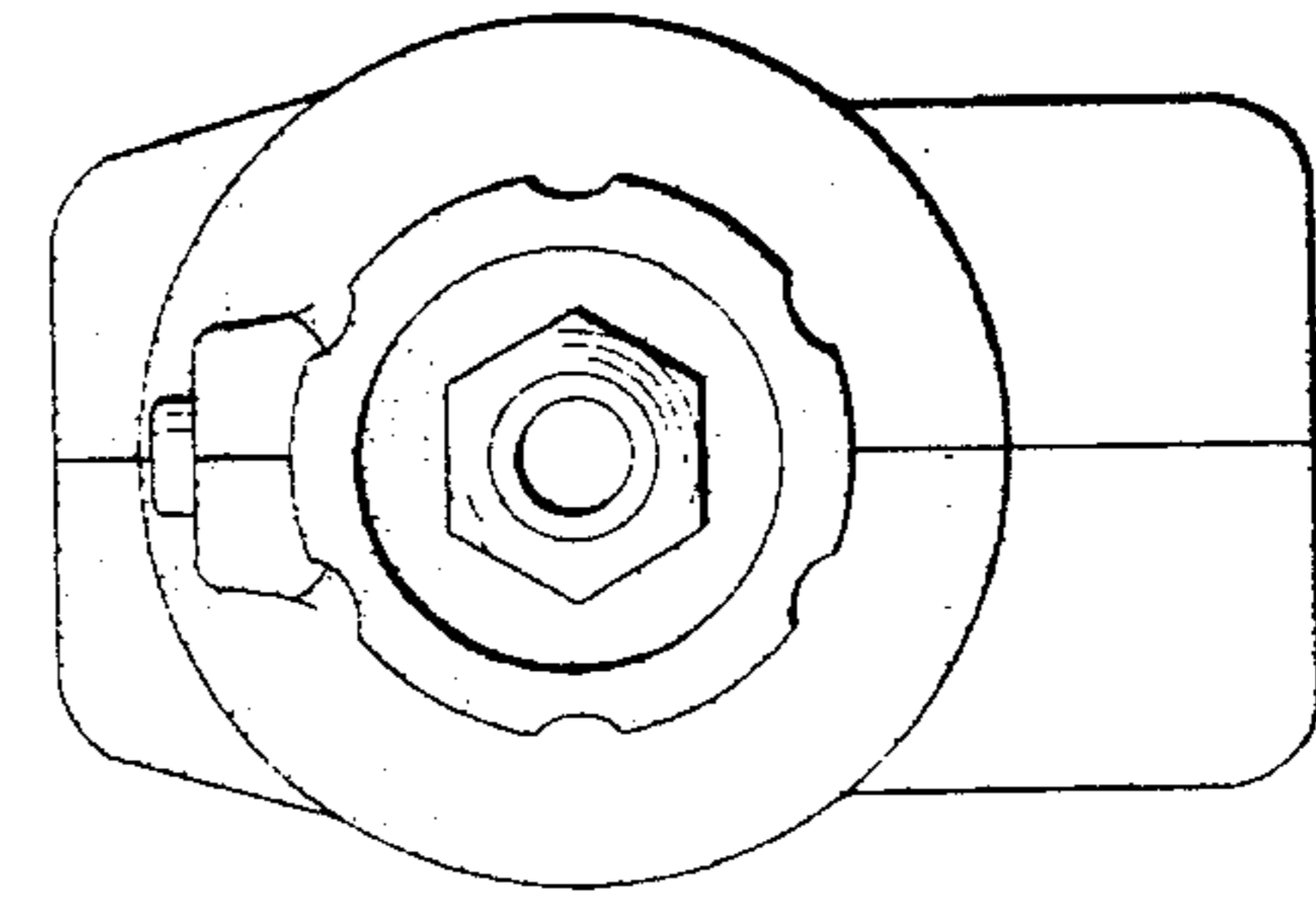


Fig. 6

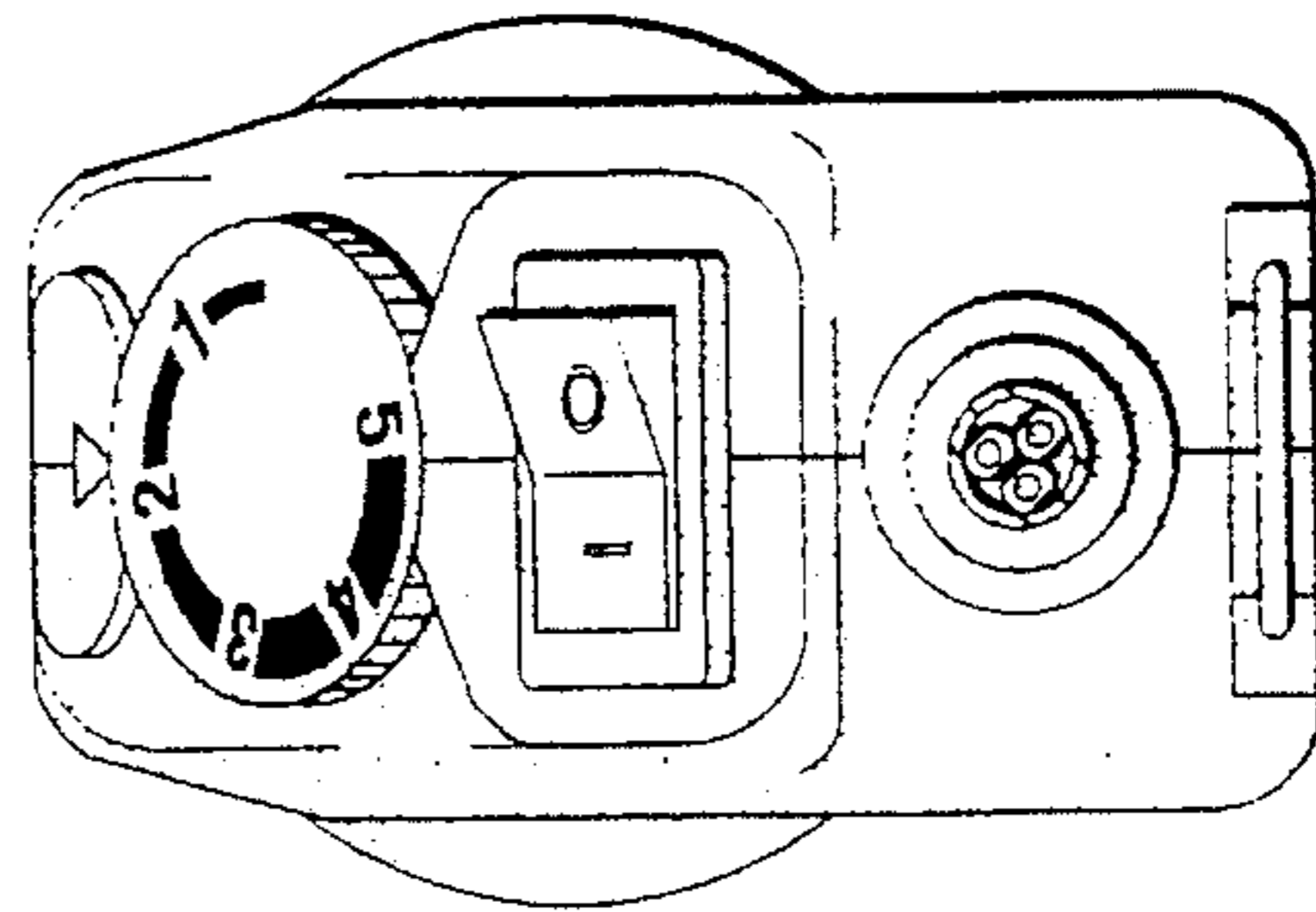


Fig. 7