



US00D378726S

United States Patent [19] Dunn

[11] Patent Number: **Des. 378,726**

[45] Date of Patent: ****Apr. 8, 1997**

[54] **DISH**
[75] Inventor: **John W. Dunn**, Durham, Conn.
[73] Assignee: **Design Specialties, Inc.**, Wallingford, Conn.
[**] Term: **14 Years**

D. 352,202 11/1994 Campbell et al. D7/555 X
D. 352,203 11/1994 Campbell et al. .
D. 353,516 12/1994 Anderson .
D. 363,856 11/1995 Westbrook, Jr. D7/553
D. 365,501 12/1995 Daugherty et al. D7/550 X

Primary Examiner—M. N. Pandozzi
Attorney, Agent, or Firm—Pepe & Hazard

[21] Appl. No.: **43,402**
[22] Filed: **Sep. 1, 1995**
[52] U.S. Cl. **D7/549; D7/553; D7/555**
[58] Field of Search D7/550, 553, 554,
D7/555, 556, 549, 543, 545, 546, 548,
547; 206/564, 557; 220/575, 556, 23.8;
D9/341

[57] **CLAIM**

The ornamental design for a dish, as shown and described.

DESCRIPTION

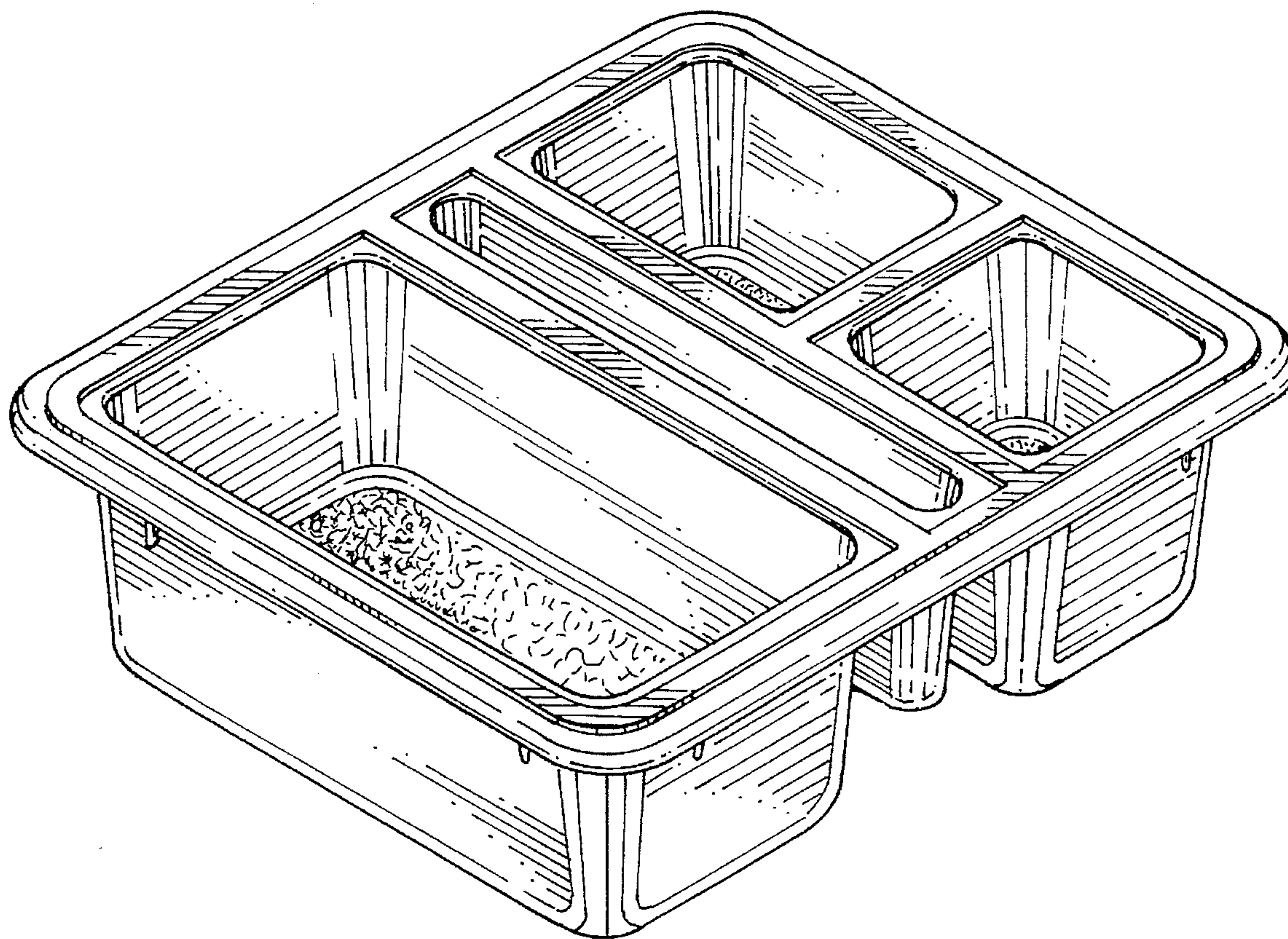
FIG. 1 is a perspective view of a dish showing my new design;
FIG. 2 is a side elevational view of the side seen in FIG. 1;
FIG. 3 is a top plan view thereof;
FIG. 4 is a rear elevational view thereof, the front elevation being a mirror image thereof;
FIG. 5 is a bottom view thereof; and,
FIG. 6 is an elevational view of the side opposite that seen in FIGS. 1 and 2.

[56] **References Cited**

U.S. PATENT DOCUMENTS

D. 276,201 11/1984 Wolff D7/554
D. 316,359 4/1991 Anderson .
D. 338,808 8/1993 Anderson D7/353
D. 351,087 10/1994 Anderson .

1 Claim, 3 Drawing Sheets



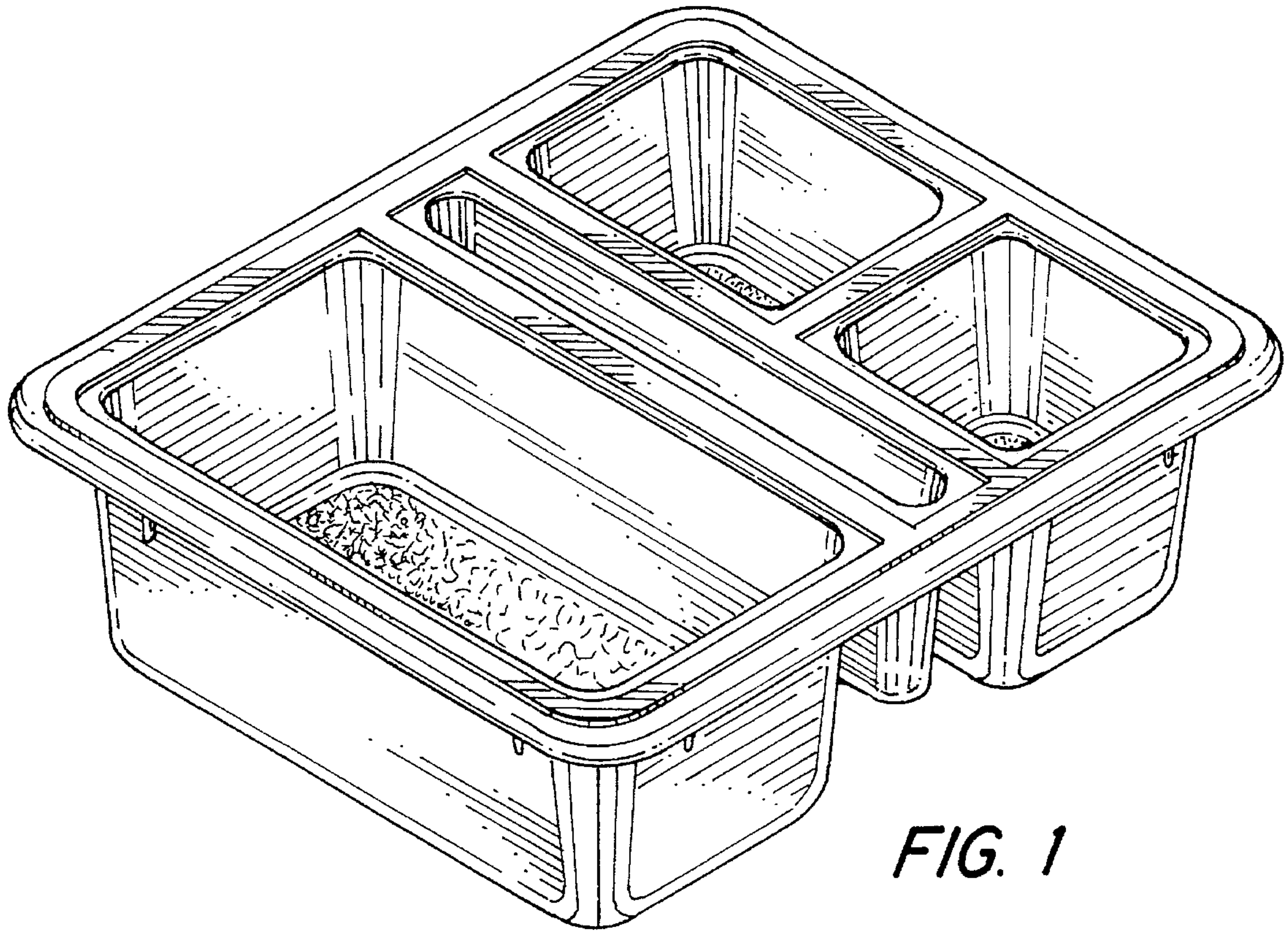


FIG. 1

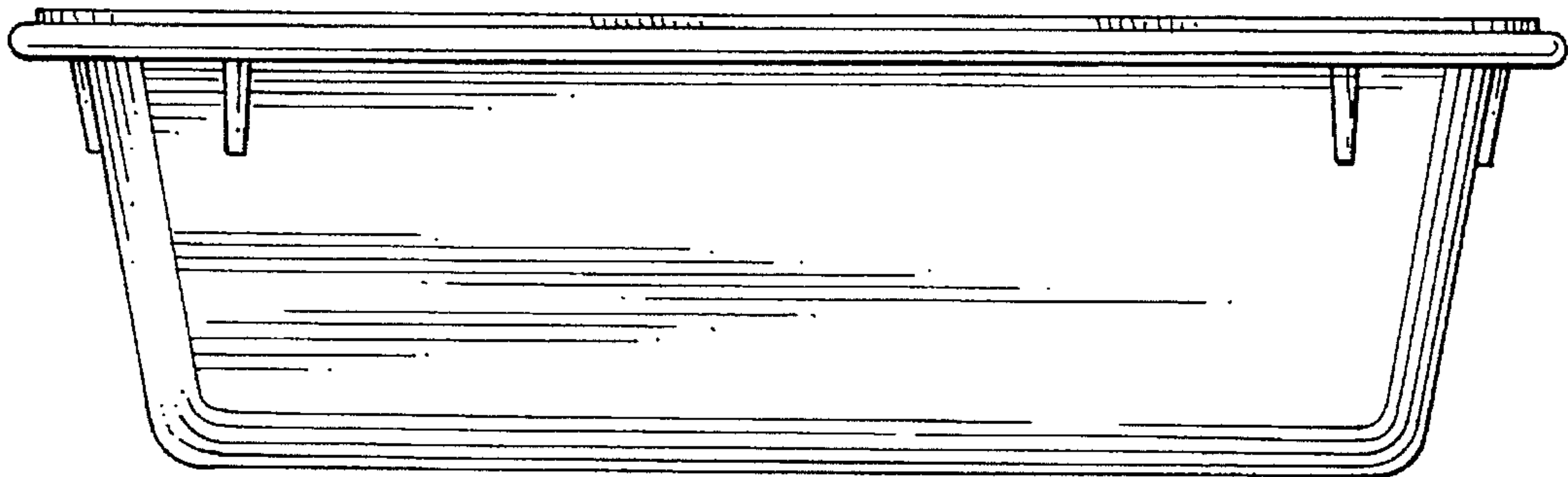


FIG. 2

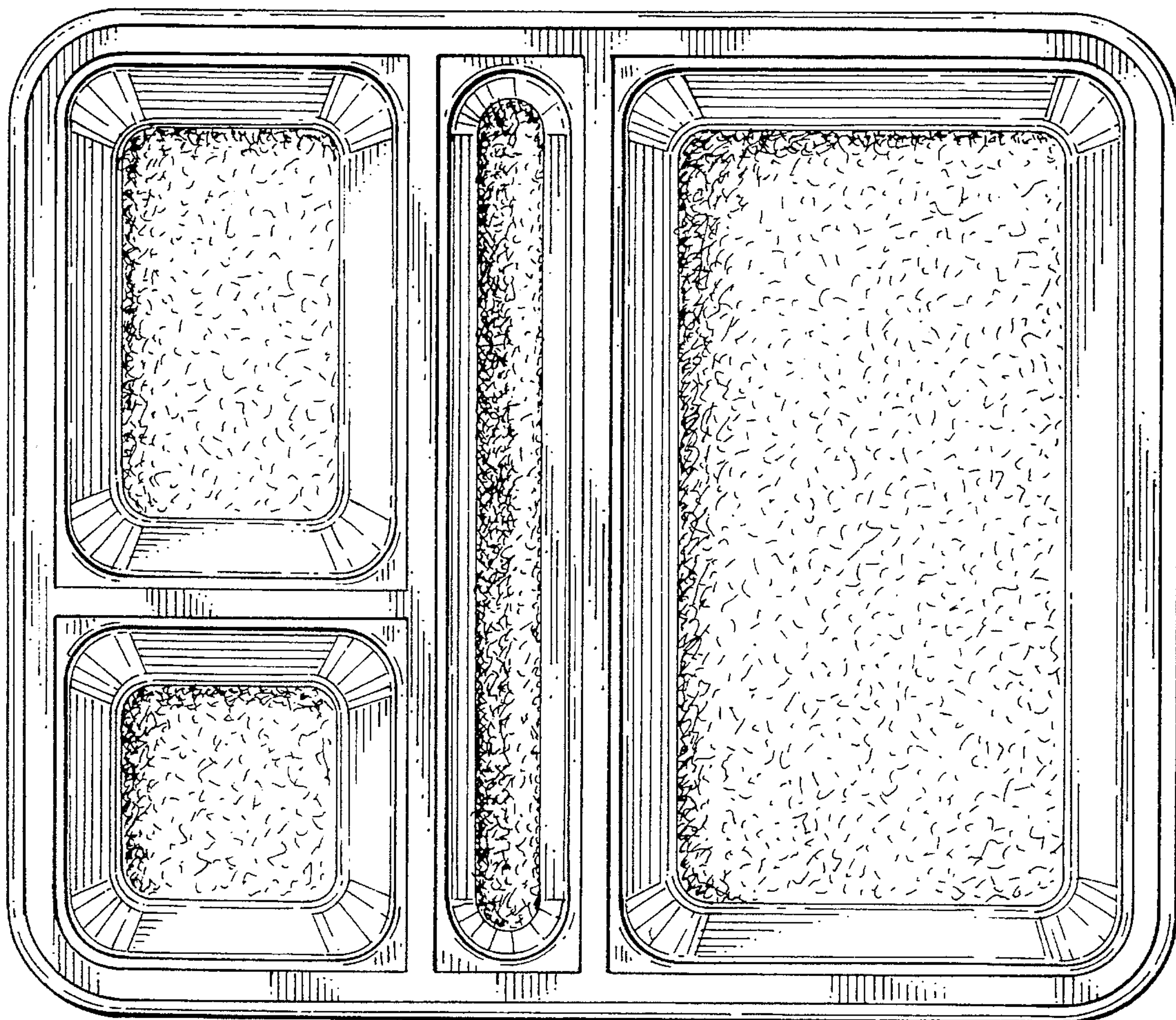


FIG. 3

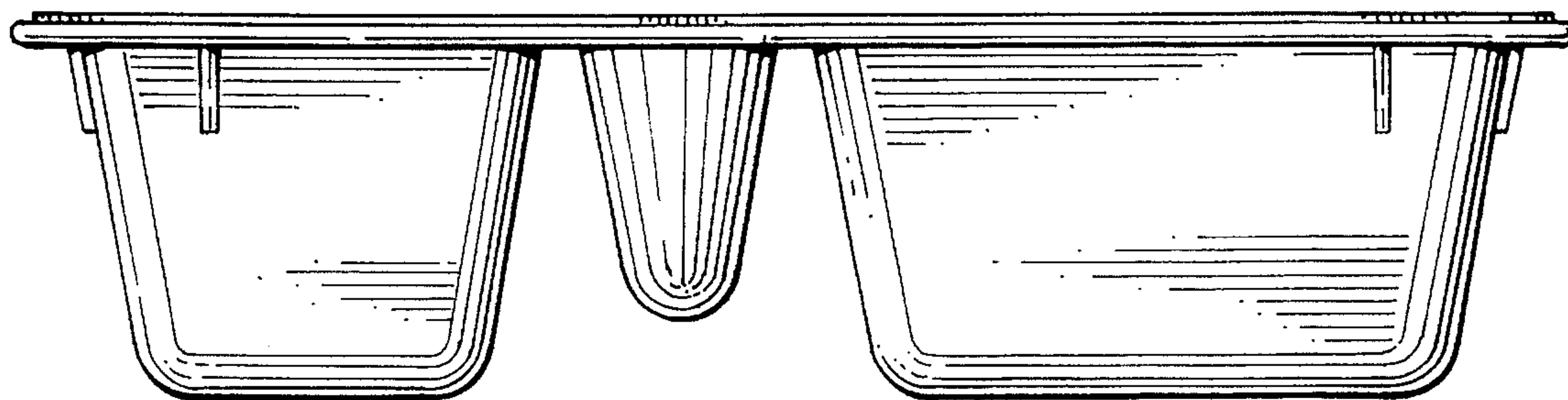


FIG. 4

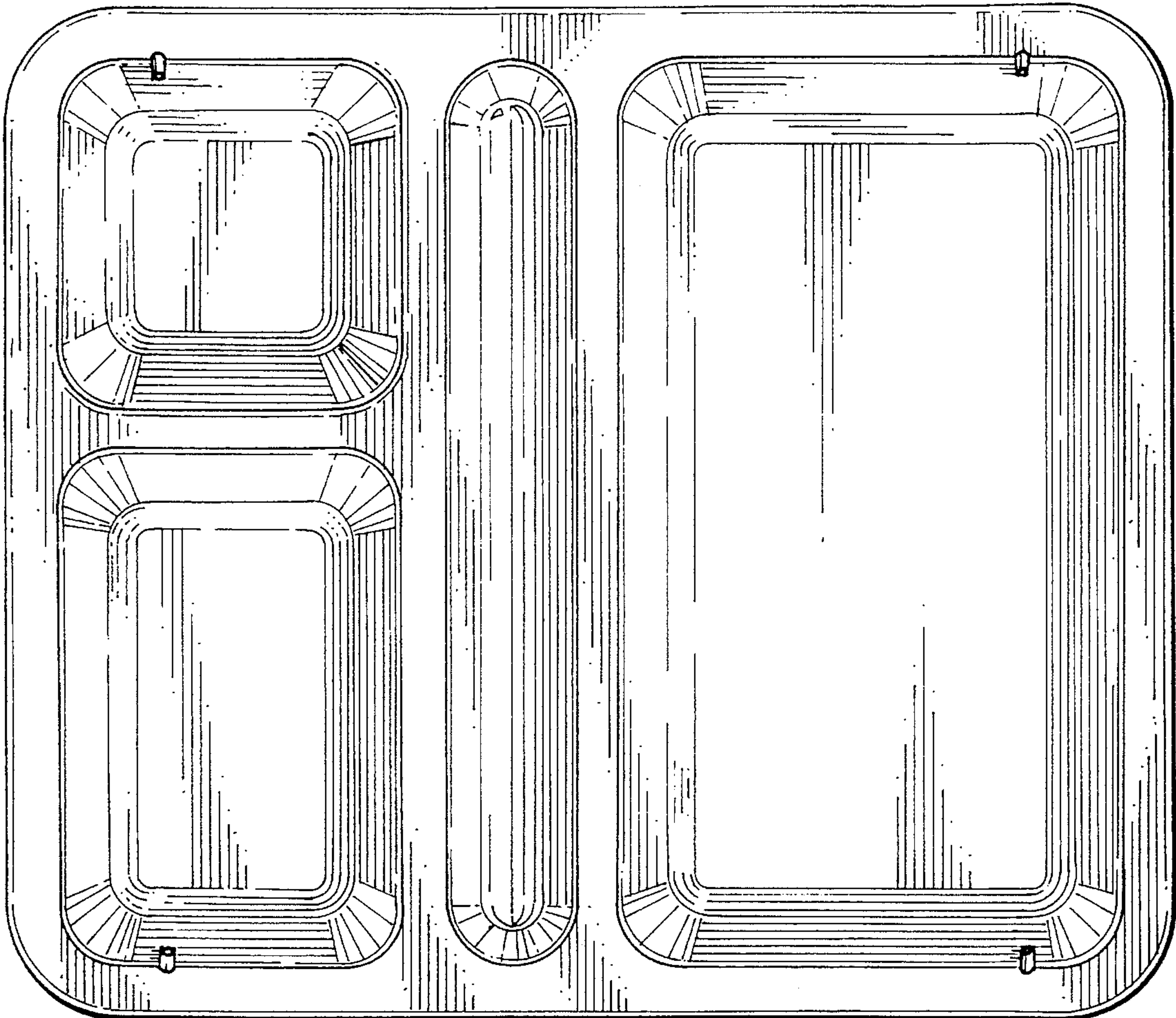


FIG. 5

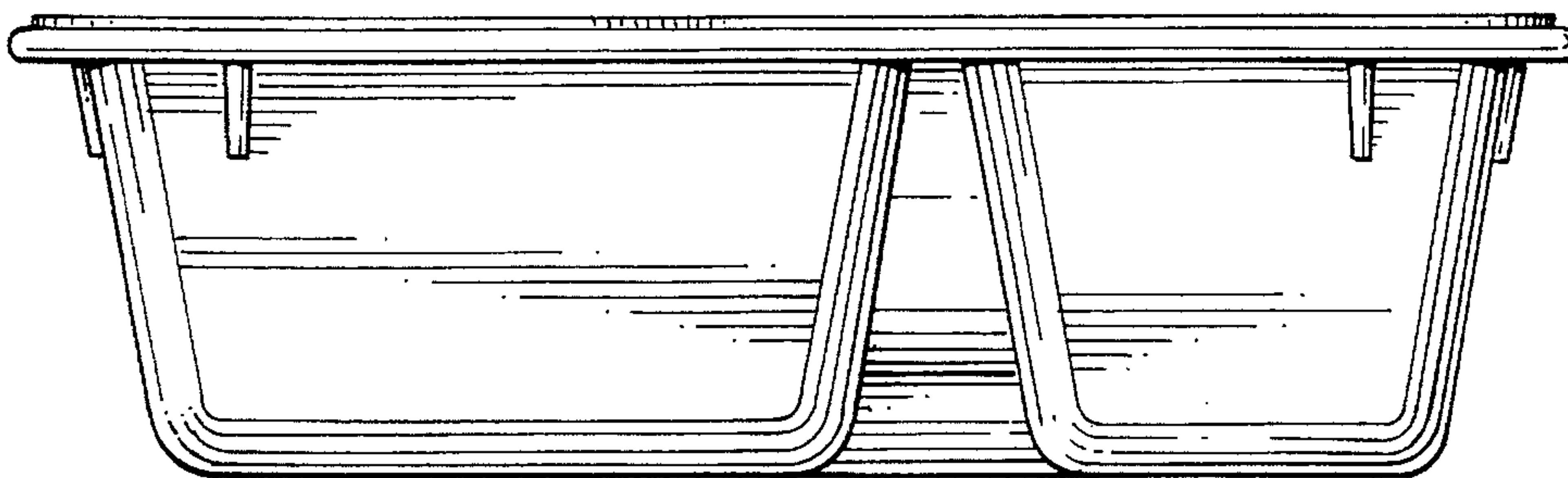


FIG. 6