



US00D378725S

United States Patent [19]

[11] Patent Number: **Des. 378,725**

Ventus

[45] Date of Patent: ****Apr. 8, 1997**

[54] **TRAVEL BEVERAGE CONTAINER**

[76] Inventor: **Hugh G. Ventus**, 913 Derringer La., Henderson, Nev. 89014

[**] Term: **14 Years**

D. 365,248	12/1995	Falzarano	D7/533
D. 369,063	4/1996	Meisner	D7/511 X
4,230,235	10/1980	Di Amico	D7/536
4,561,560	12/1985	Lyon	220/278
4,943,684	7/1990	Kramer	D7/536 X

FOREIGN PATENT DOCUMENTS

258588	4/1913	Germany	D7/536
--------	--------	---------	-------	--------

Primary Examiner—M. N. Pandozzi

[21] Appl. No.: **49,085**

[22] Filed: **Jan. 16, 1996**

[52] U.S. Cl. **D7/510; D7/511; D7/514; D7/515; D7/536**

[57] **CLAIM**

[58] **Field of Search** D7/510, 511, 534, D7/509, 301, 506, 507, 514, 515, 520, 529, 533, 536, 535, 623; D9/307

The ornamental design for a travel beverage container, as shown and described.

DESCRIPTION

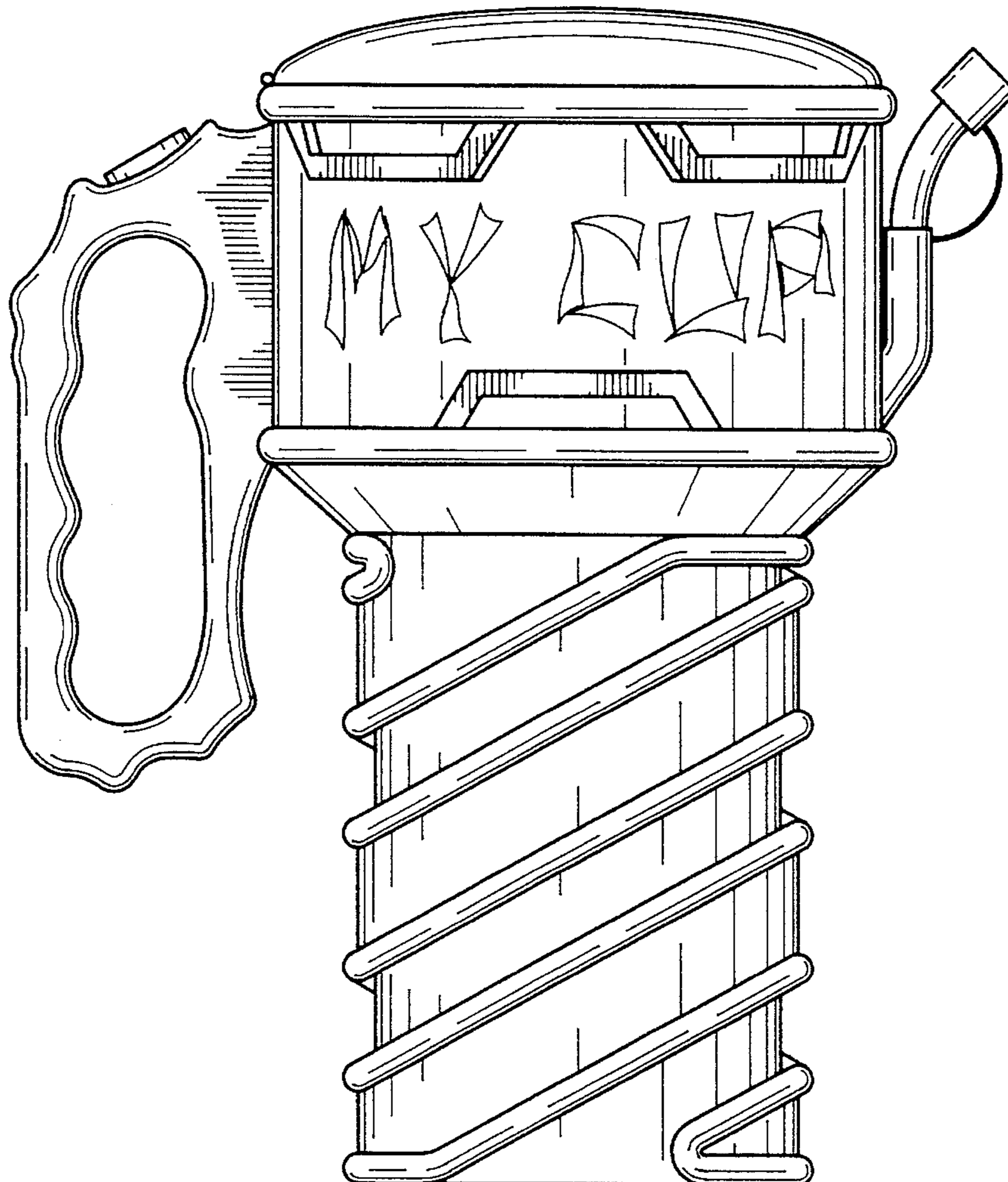
[56] **References Cited**

U.S. PATENT DOCUMENTS

D. 185,971	8/1959	Saffer	D7/536
D. 247,541	3/1978	Barger	D7/510
D. 258,483	3/1981	Weinstein	D7/511
D. 293,189	12/1987	Sandler	D7/536
D. 353,972	1/1993	Robling et al.	D7/511 X
D. 360,338	7/1995	Westgerdes	D7/511
D. 364,319	11/1995	Schaeppi	D7/533 X

FIG. 1 is a right side elevational view of a travel beverage container showing my new design therefor; FIG. 2 is a rear elevational view; FIG. 3 is a left side elevational view; FIG. 4 is a front elevational view; FIG. 5 is a top plan view; and, FIG. 6 is a bottom plan view.

1 Claim, 3 Drawing Sheets



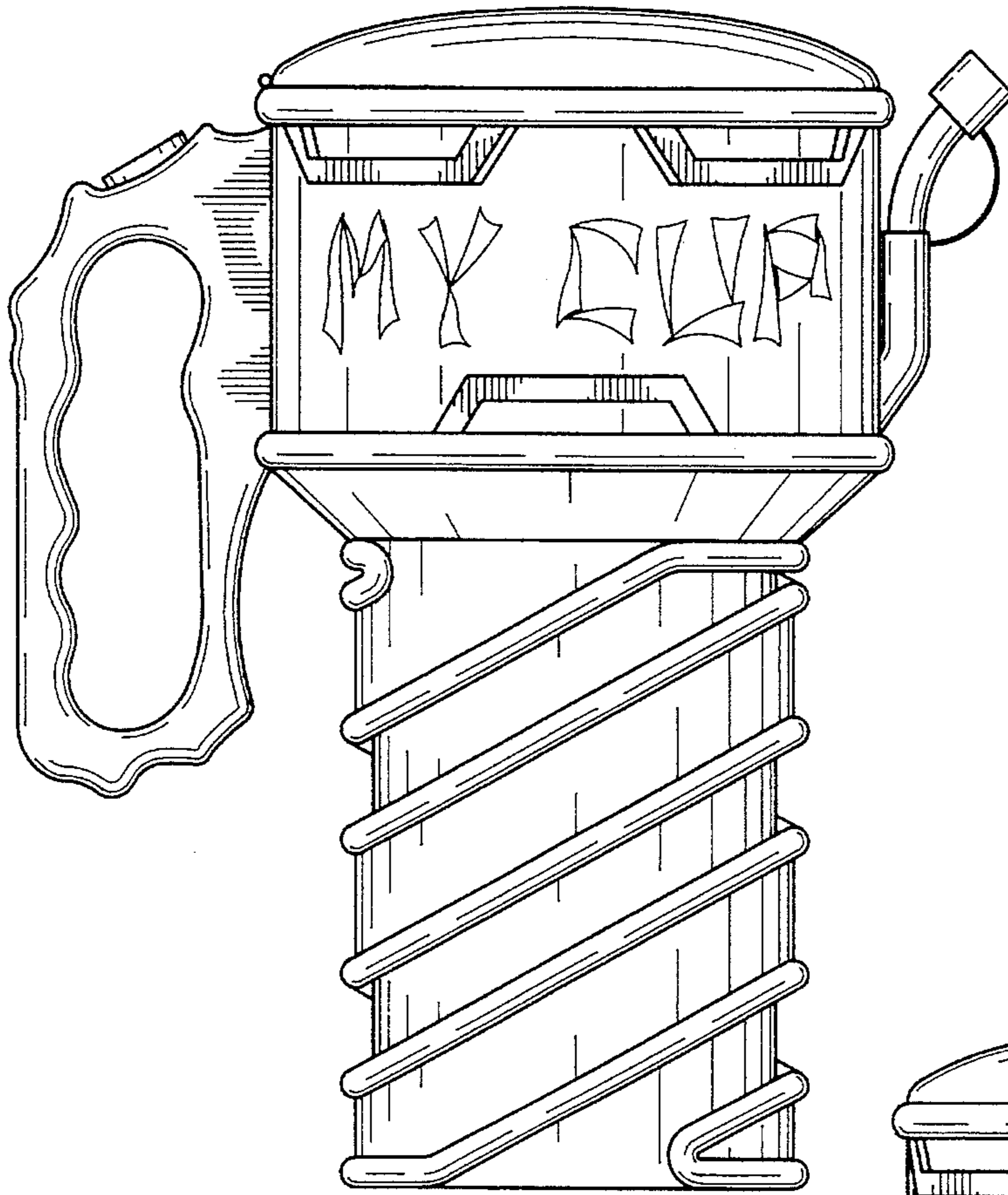


FIG. 1

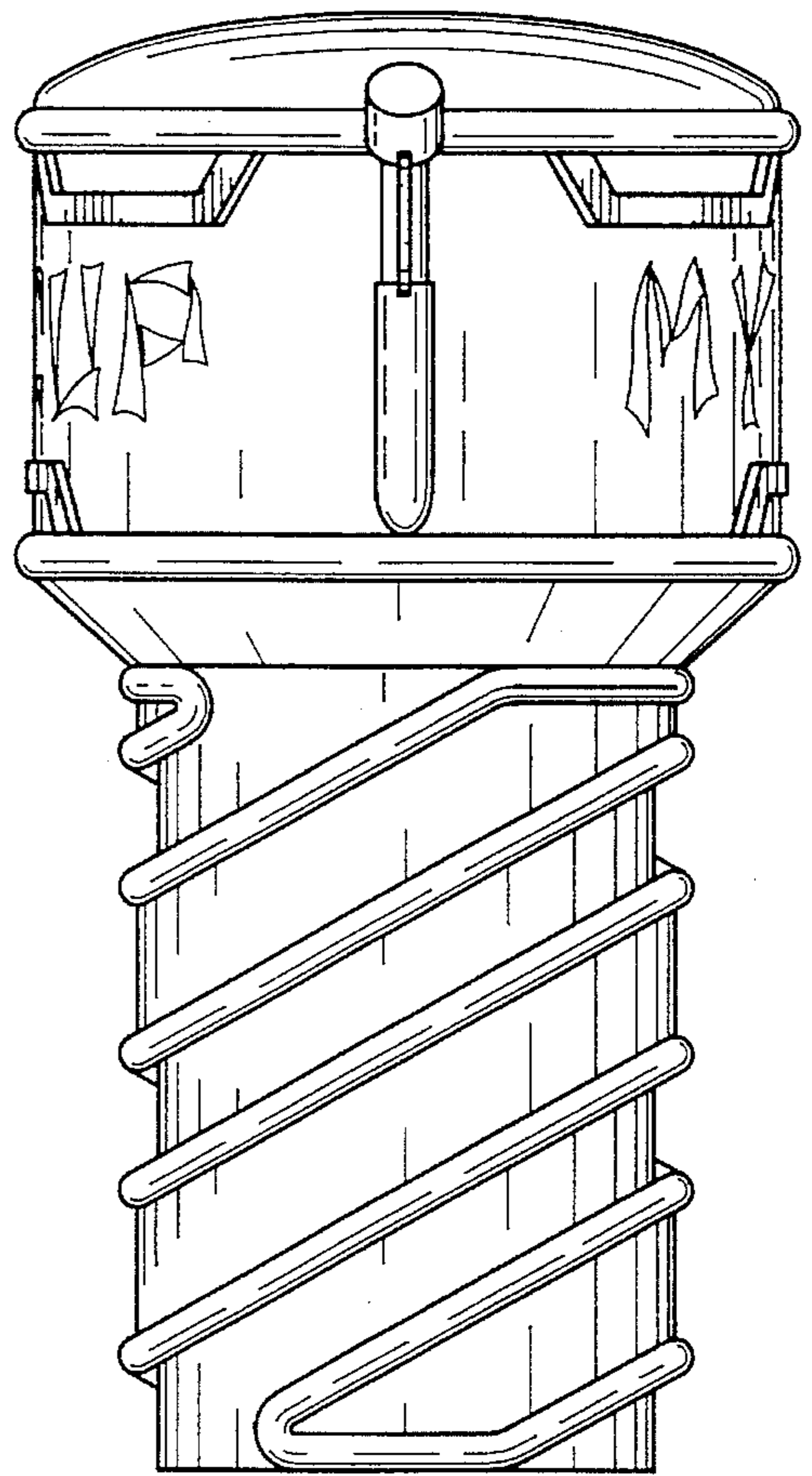


FIG. 2

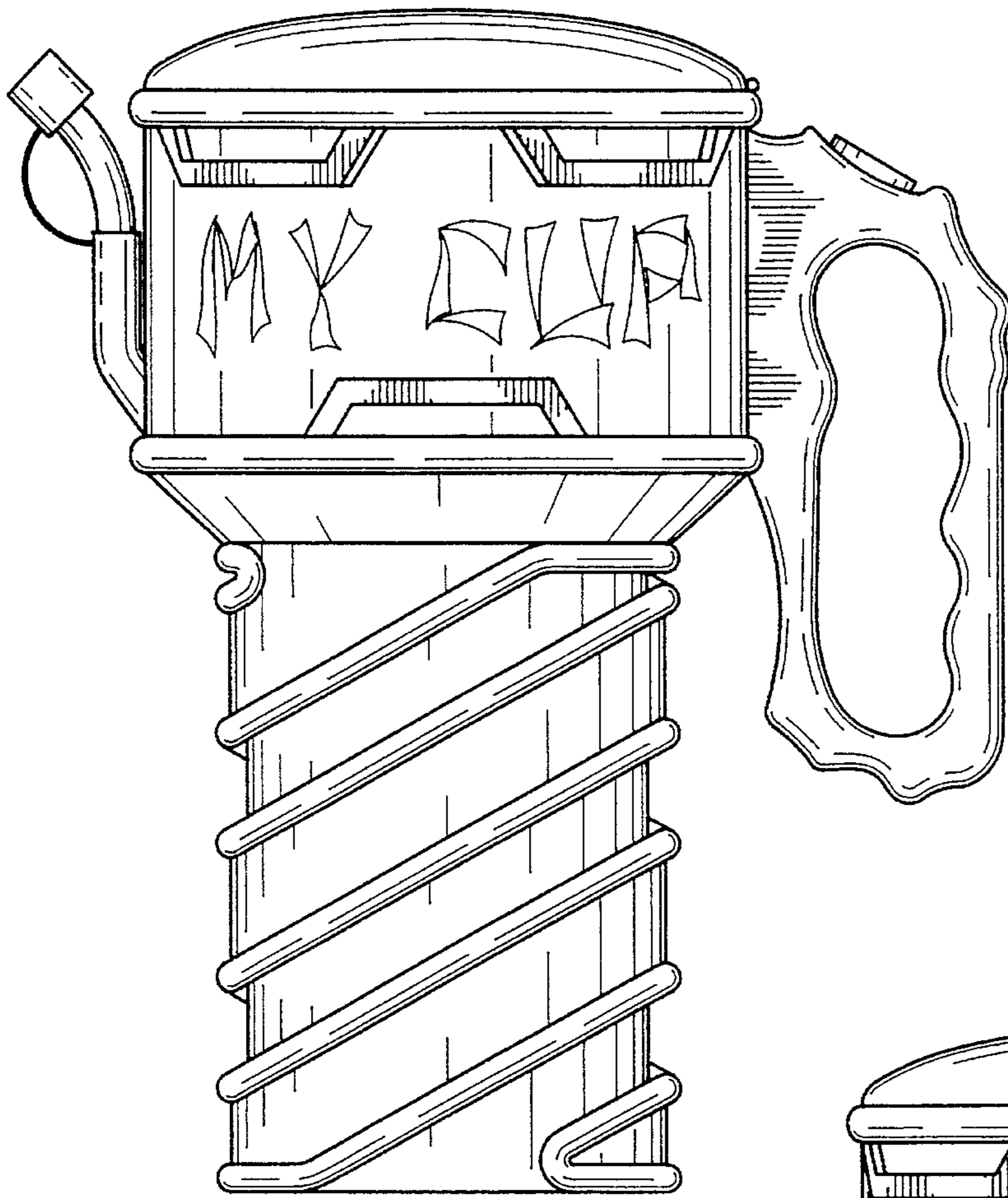


FIG. 3

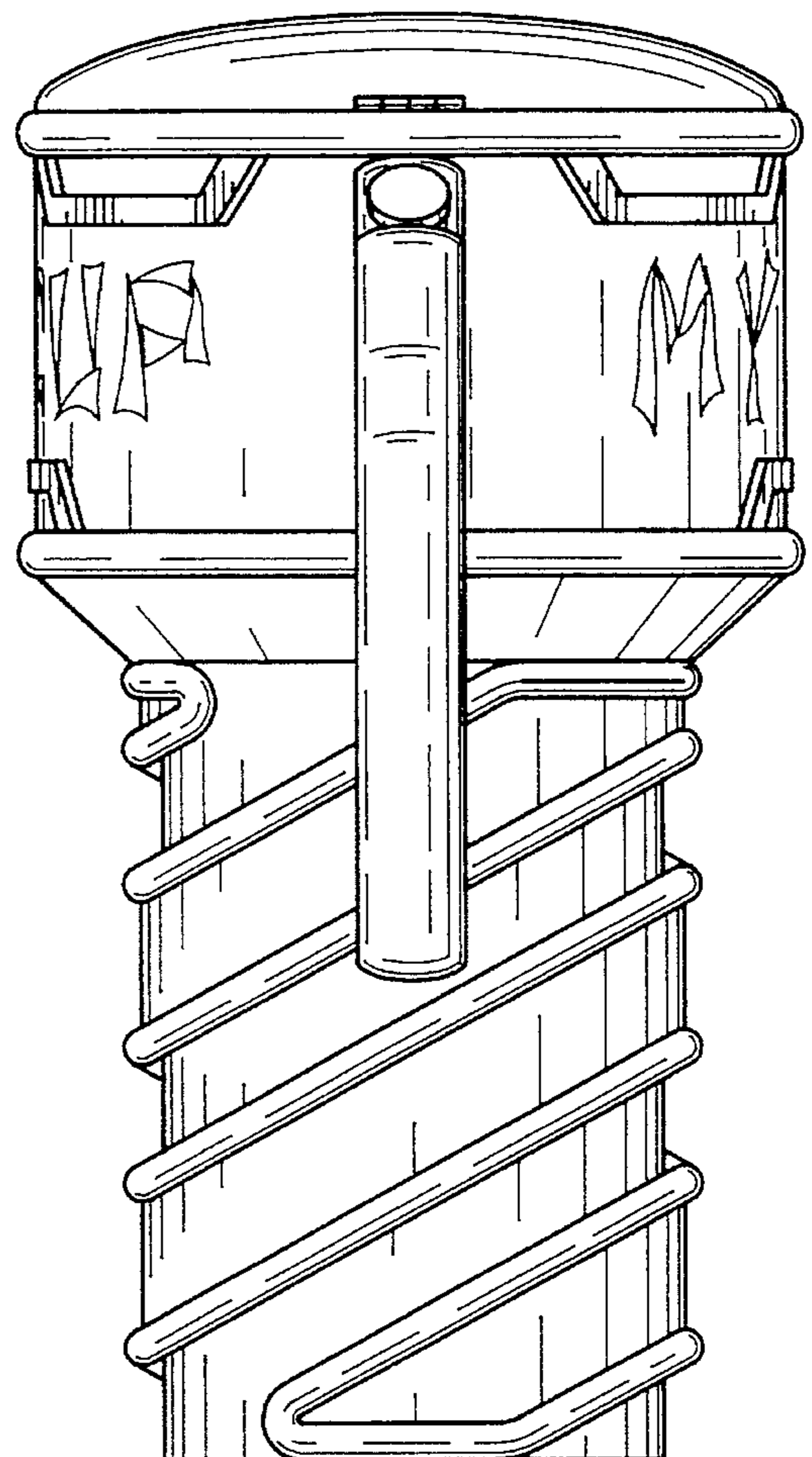


FIG. 4

FIG. 5

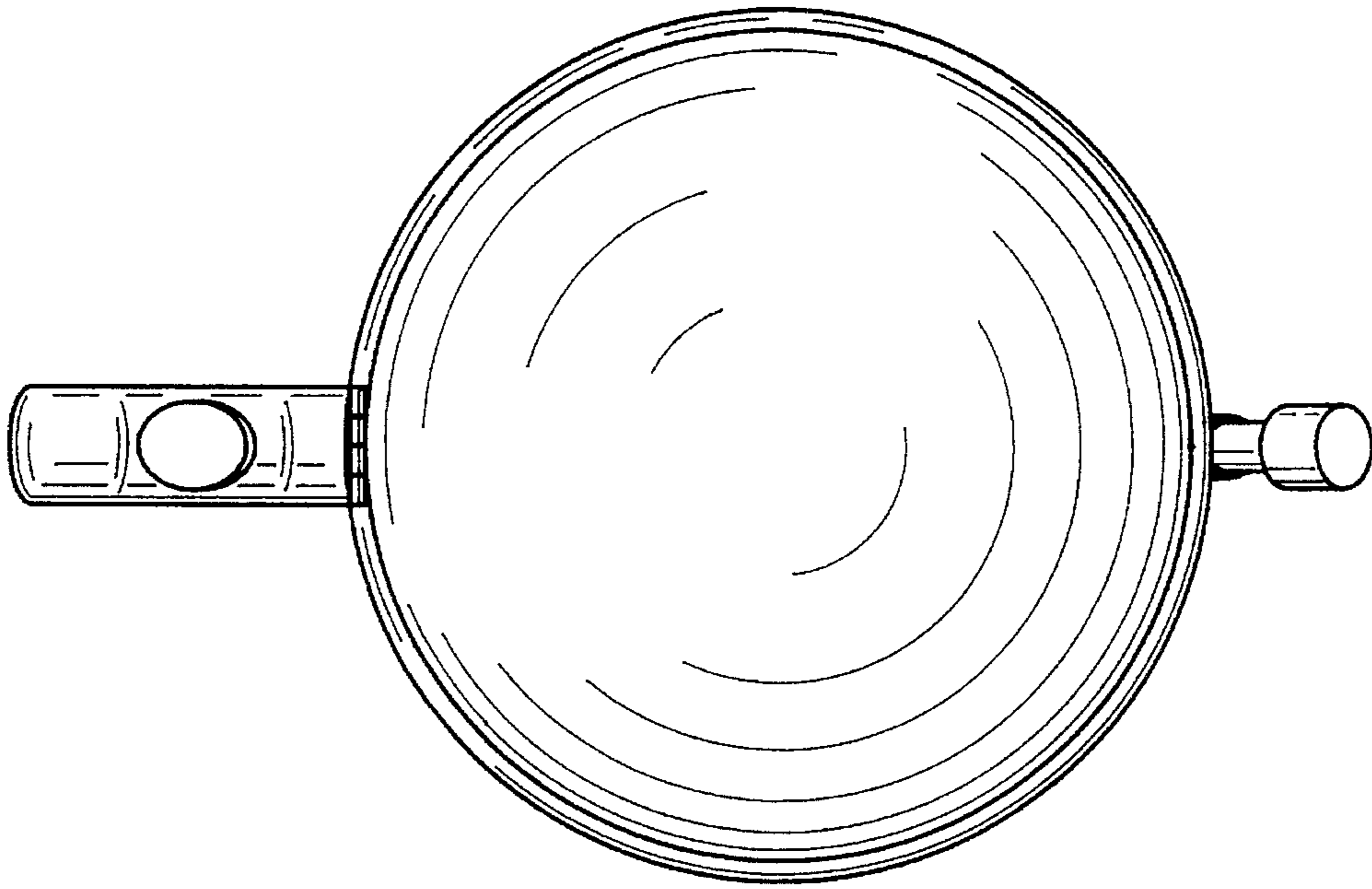


FIG. 6

