



US00D378724S

# United States Patent [19]

Young et al.

[11] Patent Number: **Des. 378,724**

[45] Date of Patent: **\*\*Apr. 8, 1997**

[54] **WATERMELON CONTAINER WITH STRAINER**

[76] Inventors: **Michelle D. Young**, 1020 SW. 11 Ct., Deerfield Beach; **Betty Mathison**, 306 NW. 7th Ct., West Deerfield Beach, both of Fla. 33441

[\*\*] Term: **14 Years**

[21] Appl. No.: **48,960**

[22] Filed: **Jan. 17, 1996**

[52] U.S. Cl. .... **D7/505; D7/360; D7/667**

[58] Field of Search ..... D7/505, 703, 706, D7/538, 323, 629, 354, 355, 356, 357, 667, 539, 361, 360, 543, 541, 542, 545, 546, 547, 549, 550; 220/23.83, 23.86, 23.8; D32/53

### [56] References Cited

#### U.S. PATENT DOCUMENTS

D. 147,950	11/1947	Blazey .....	D7/360
D. 278,014	3/1985	Faris .....	D7/3
D. 305,197	12/1989	Valdes .....	D7/354
D. 314,119	1/1991	Kaufmann .....	D7/505
D. 327,609	7/1992	Carlson .....	D7/667
D. 338,132	8/1993	Chang .....	D7/356
D. 353,080	12/1994	Cantereels .....	D7/667
D. 353,303	12/1994	Davis .....	D7/667 X
2,170,904	8/1939	Kircher .....	D7/360 X
2,932,293	4/1960	Rassieur .....	D7/354 X

2,998,159	8/1961	Branaman .....	D7/543 X
3,596,354	8/1971	Emerson .....	30/124
4,013,869	3/1977	Orts .....	D7/355 X
4,140,340	2/1979	Cloutier .....	269/295
4,417,506	11/1983	Herbst et al. ....	D7/355 X
5,097,753	3/1992	Naft .....	D7/354 X
5,139,166	8/1992	Smith .....	220/574

### OTHER PUBLICATIONS

Colander, Signatures.

Primary Examiner—M. N. Pandozzi

Attorney, Agent, or Firm—John D. Gugliotta; David L. Volk

### [57] CLAIM

The ornamental design for a watermelon container with strainer, as shown and described.

### DESCRIPTION

FIG. 1 is a perspective view of a watermelon container with strainer showing our new design;  
 FIG. 2 is a perspective view of a watermelon container with strainer showing our new design;  
 FIG. 3 is a rear elevational view thereof, the opposite side being a mirror image;  
 FIG. 4 is a left side elevational view thereof, the opposite side being a mirror image;  
 FIG. 5 is a top plan view thereof; and,  
 FIG. 6 is a bottom plan view thereof.

**1 Claim, 5 Drawing Sheets**

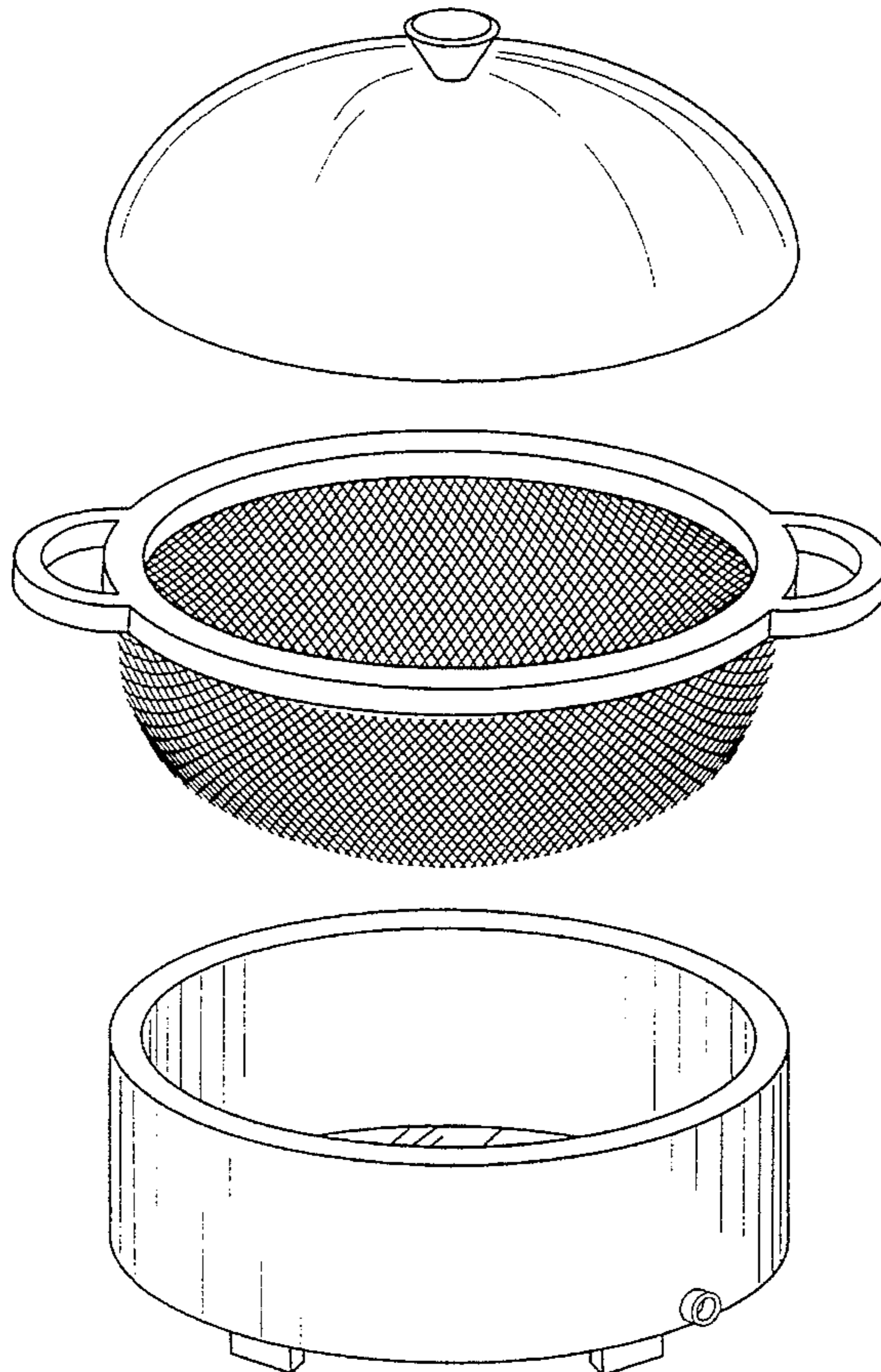
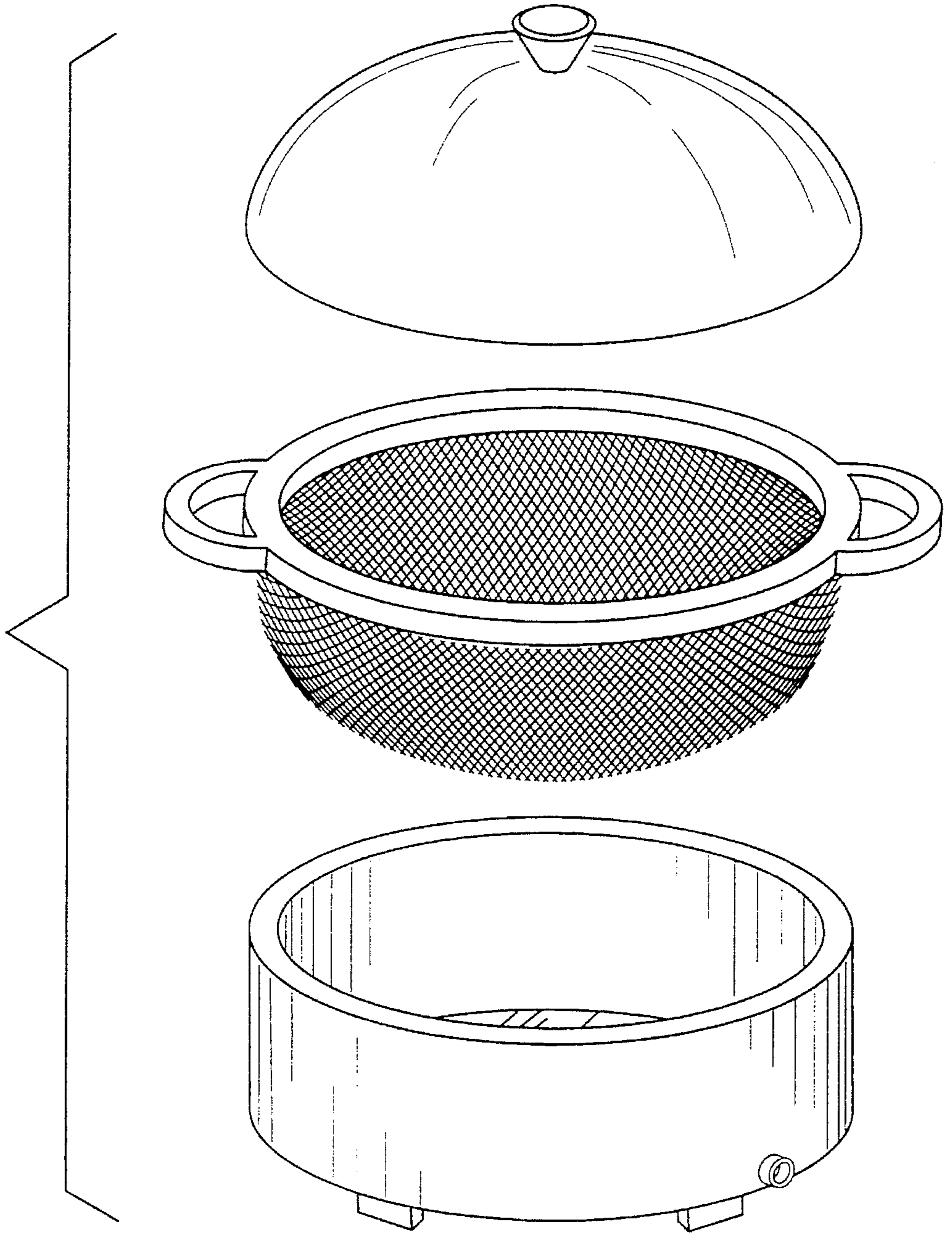


FIG. 1



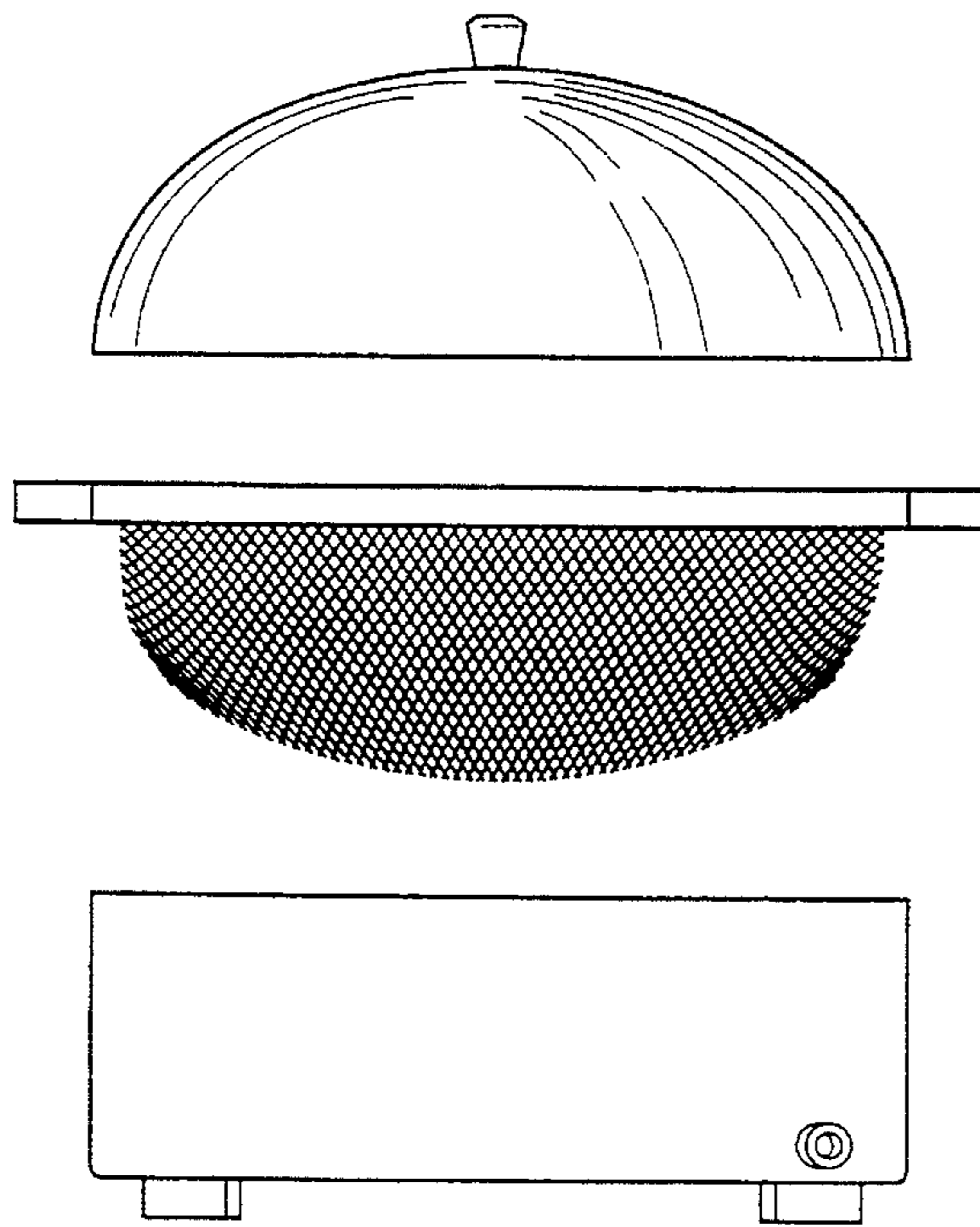


FIG.2  
Front

FIG.3  
Rear

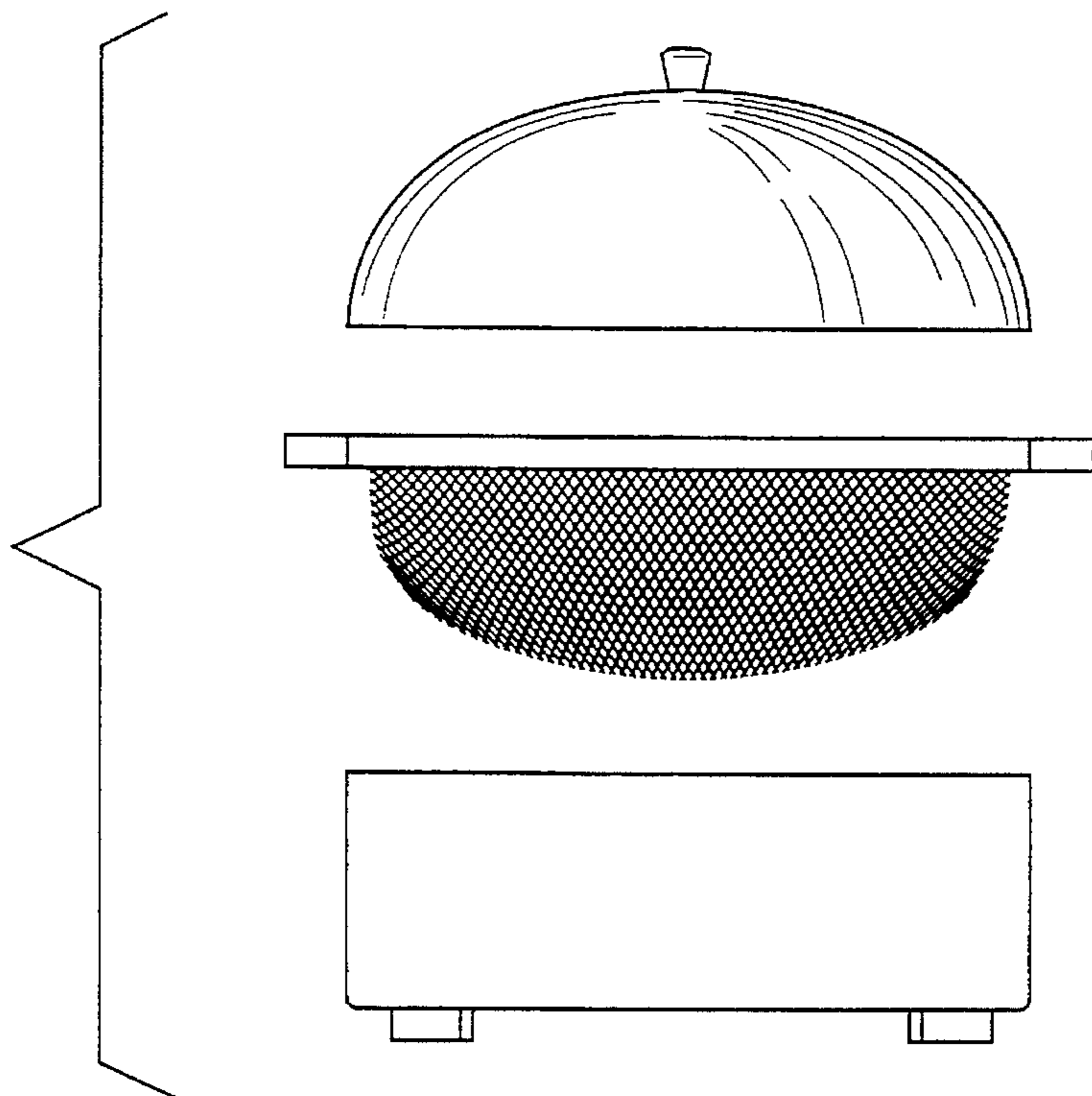


FIG.4  
Side

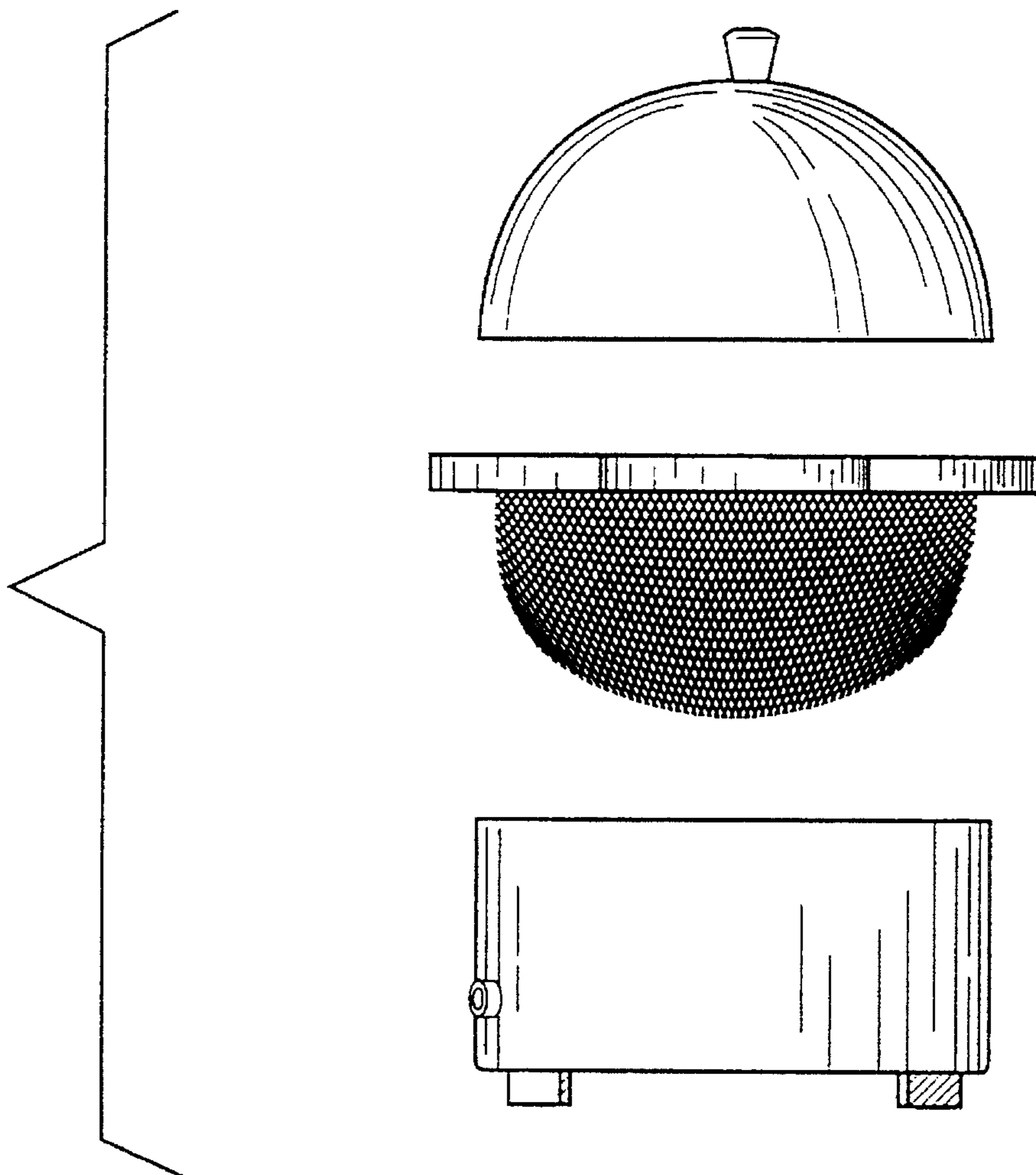


FIG.5  
Top

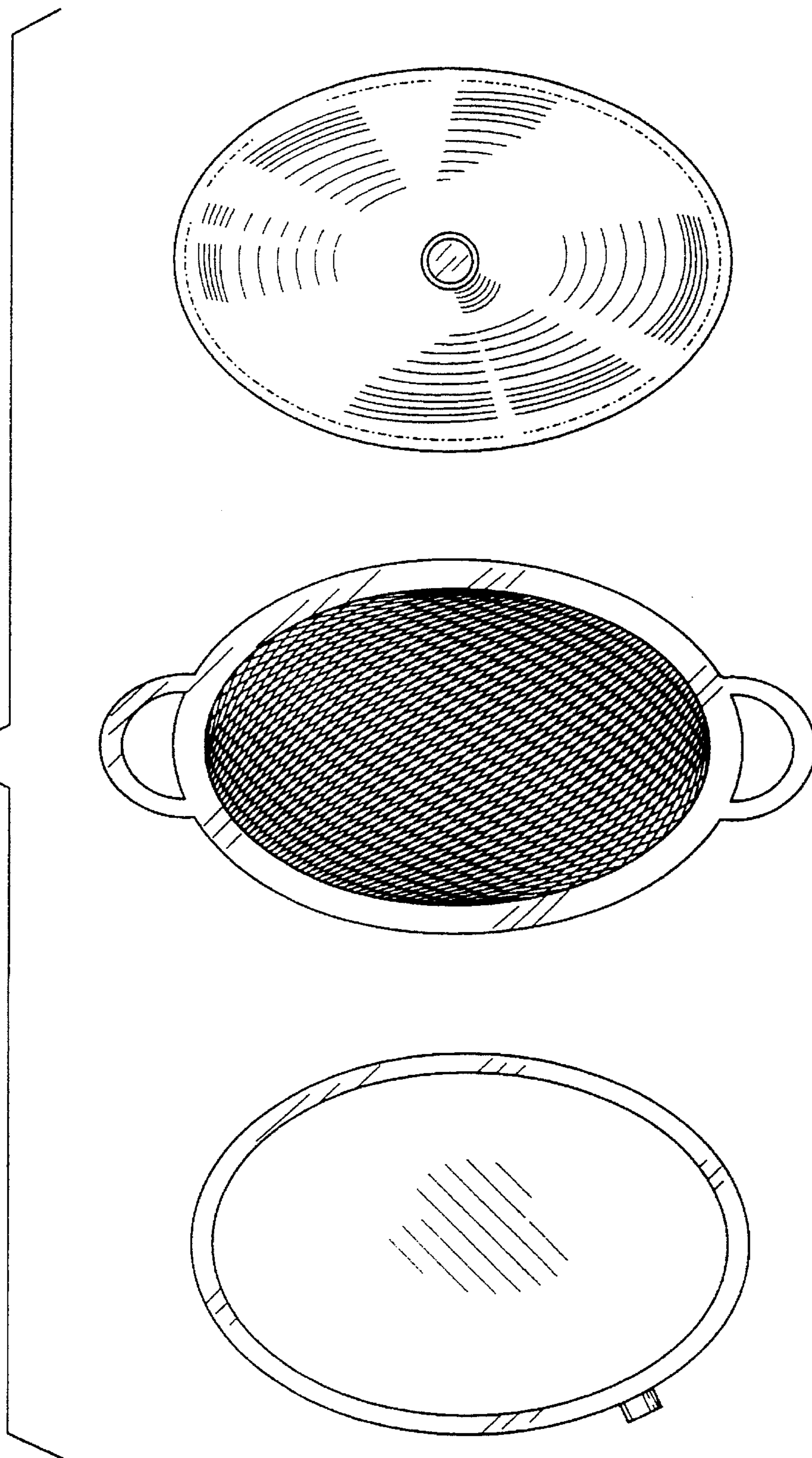


FIG. 6

Bottom

